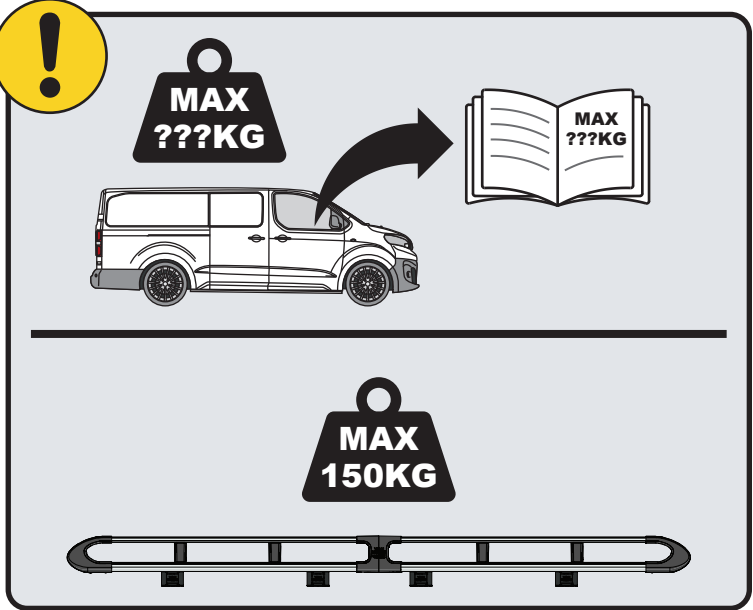
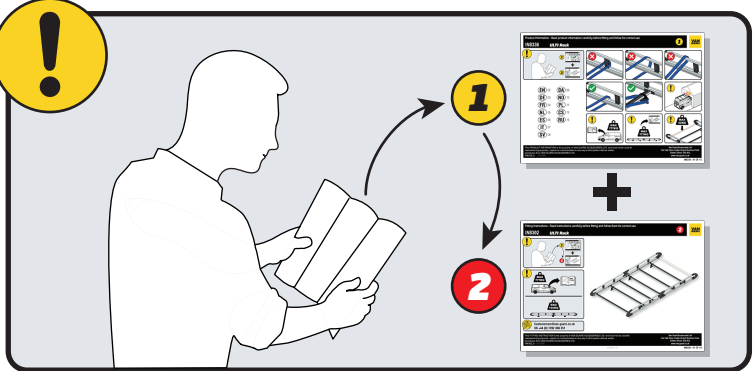


# IN8440

## ULTI Rack+



 [Customercare@van-guard.co.uk](mailto:Customercare@van-guard.co.uk)  
UK +44 (0) 1392 368 351

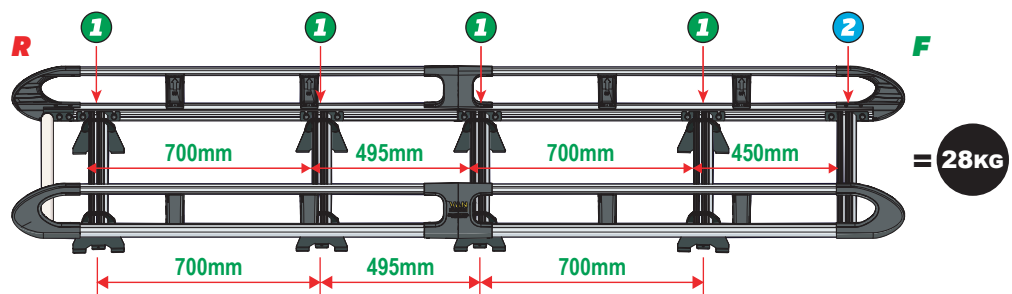
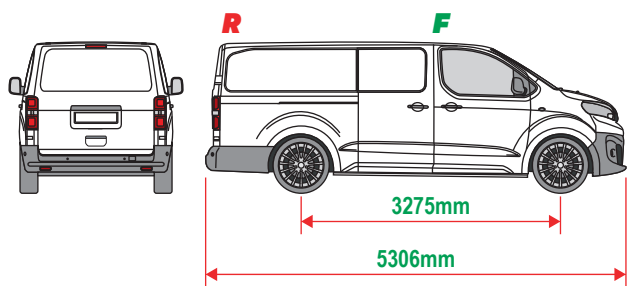


This FITTING INSTRUCTION is the property of VAN GUARD ACCESSORIES LTD. and must not be used for manufacturing purposes, copied nor communicated in any way to third parties without written permission from VAN GUARD ACCESSORIES LTD.  
IN8440\_A (CN:NR)

Van Guard Accessories Ltd  
Fair Oak Close, Exeter Airport Business Park,  
Exeter, Devon, EX5 2UL  
[www.van-guard.co.uk](http://www.van-guard.co.uk)

# VGUR-302

Citroen Dispatch: 2016 on (L3H1)  
Fiat Scudo: 2022 on (L2H1)  
Peugeot Expert: 2016 on (L3H1)  
Toyota Pro-Ace: 2016 on (L3H1)  
Vauxhall Vivaro: 2019 on (L2H1)  
**Tailgate**



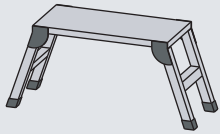
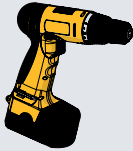
**SUPPLIED COMPONENTS - CHECK ALL PARTS ARE PRESENT AND CORRECT BEFORE PROCEEDING (1 OF 2)**

**TOOLS REQUIRED**

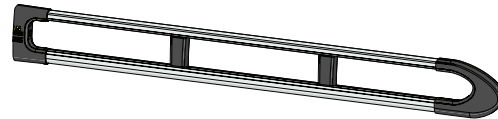
**10MM X1**



**13MM X1**



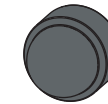
**AS3537 X2**  
(2600 / A)



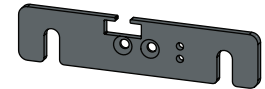
**MA6118 X10**



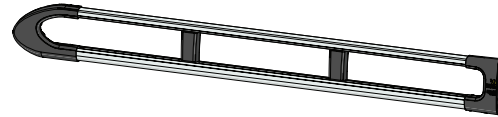
**FX4241 X24**



**ME1622 X1**



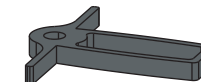
**AS3536 X2**  
(2600 / B)



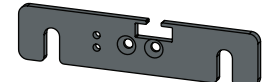
**FX4008 X1**



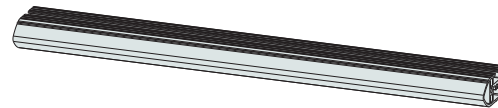
**MA6145 X1**



**ME1623 X1**



**ME1627 X5**  
(1354mm)



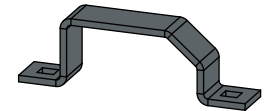
**FX4001 X2**  
(M8X40)



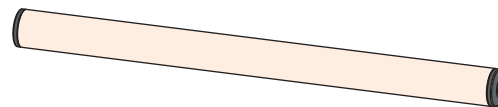
**FX4235 X20**  
(M5X25)



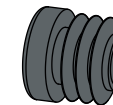
**ME0203 X8**



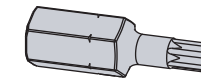
**AS3159 X1**  
(1340mm)



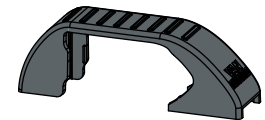
**MA6007 X4**



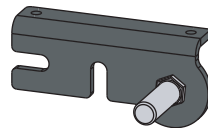
**FX4248 X1**  
(T25)



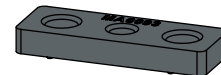
**MA6065 X8**



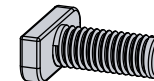
**AS3590 X1**



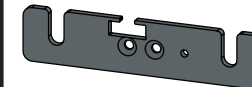
**MA6093 X10**



**FX4239 X24**  
(M8X20)



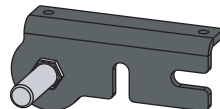
**ME1620 X4**



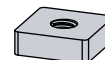
**FX4016 X16**  
(M6)



**AS3591 X1**



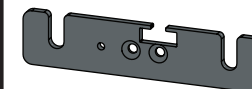
**ME0316 X10**



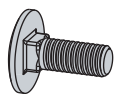
**FX4240 X24**  
(M8)



**ME1621 X4**

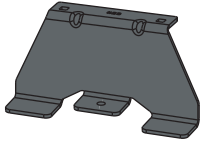


**FX4042 X16**  
(M6X16)



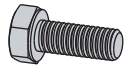
SUPPLIED COMPONENTS - CHECK ALL PARTS ARE PRESENT AND CORRECT BEFORE PROCEEDING (2 OF 2)

**ME0823 X1**

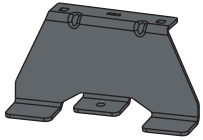


**FX4012 X8**

(M6X16)



**ME0824 X1**

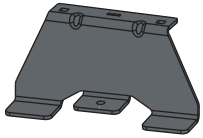


**FX4017 X8**

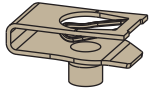
(M6)



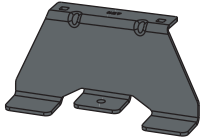
**ME0826 X1**



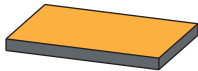
**FX4126 X8**



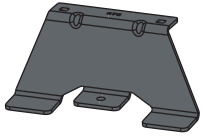
**ME0827 X1**



**MA6081 X16**



**ME0872 X4**



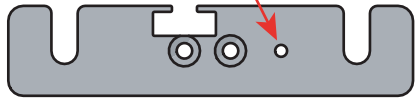
**FX4010 X8**

(M6)



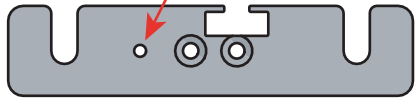
**01**

**1L**



**X4**

**1R**



**X4**

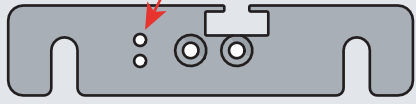


**2L**



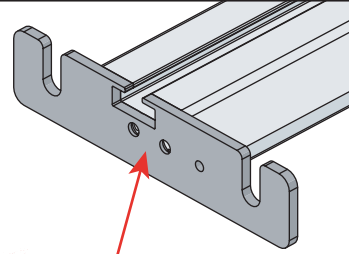
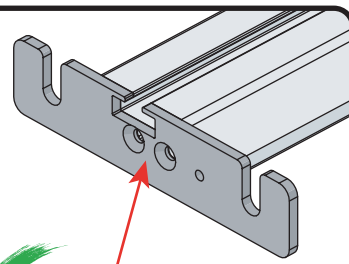
**X1**

**2R**



**X1**

**02**



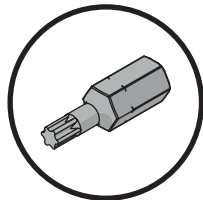
**03**

**01**

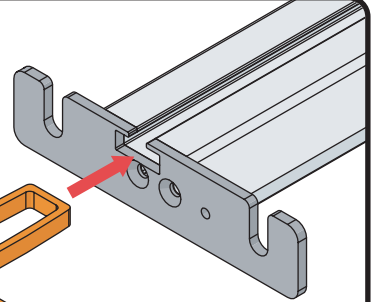
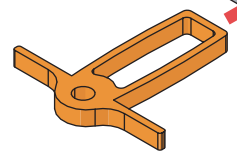
**FX4248**



**+**



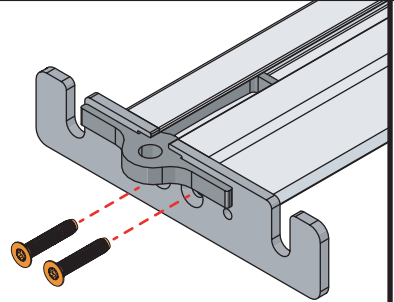
**02**



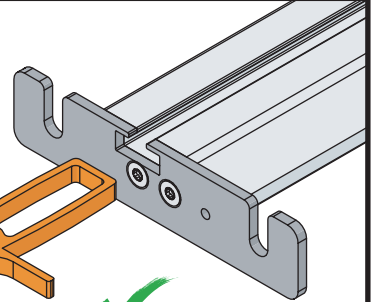
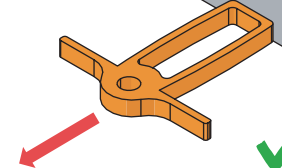
**03**



**11Nm**



**04**

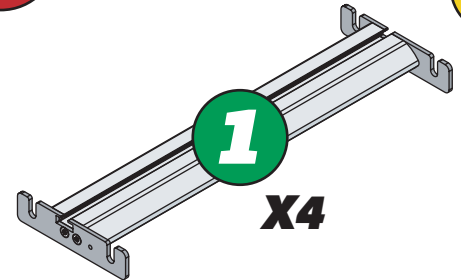


**04**



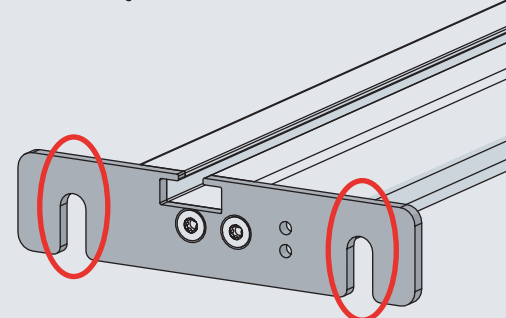
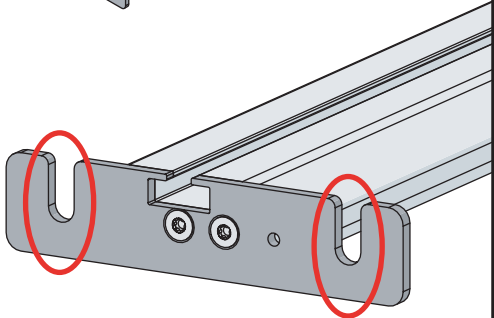
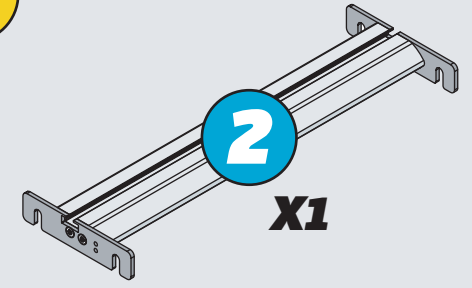
**1**

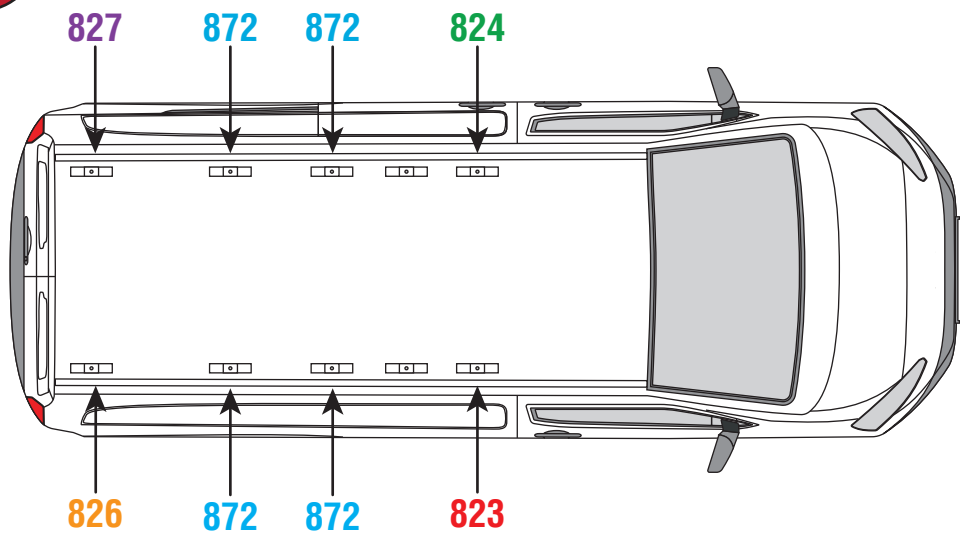
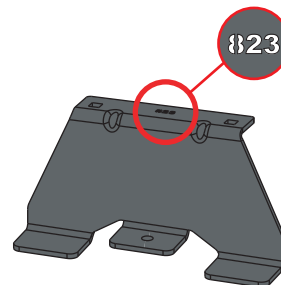
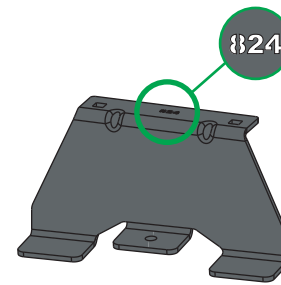
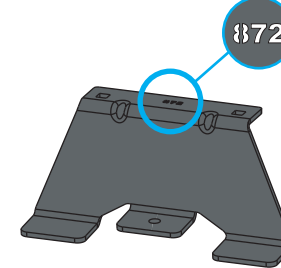
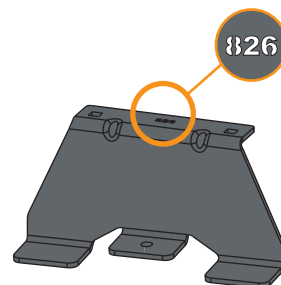
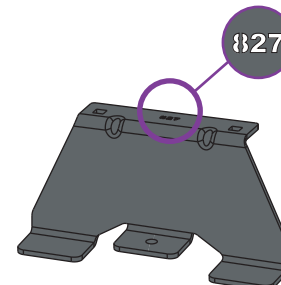
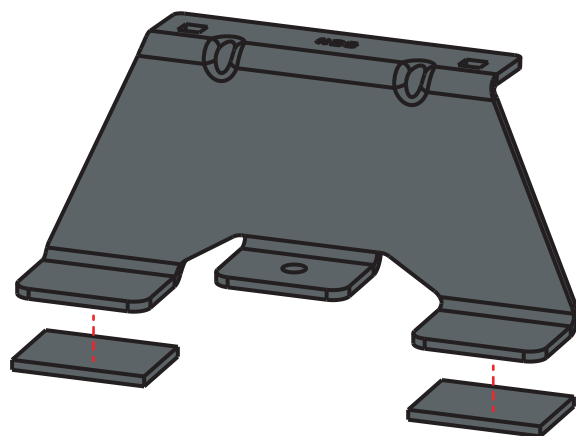
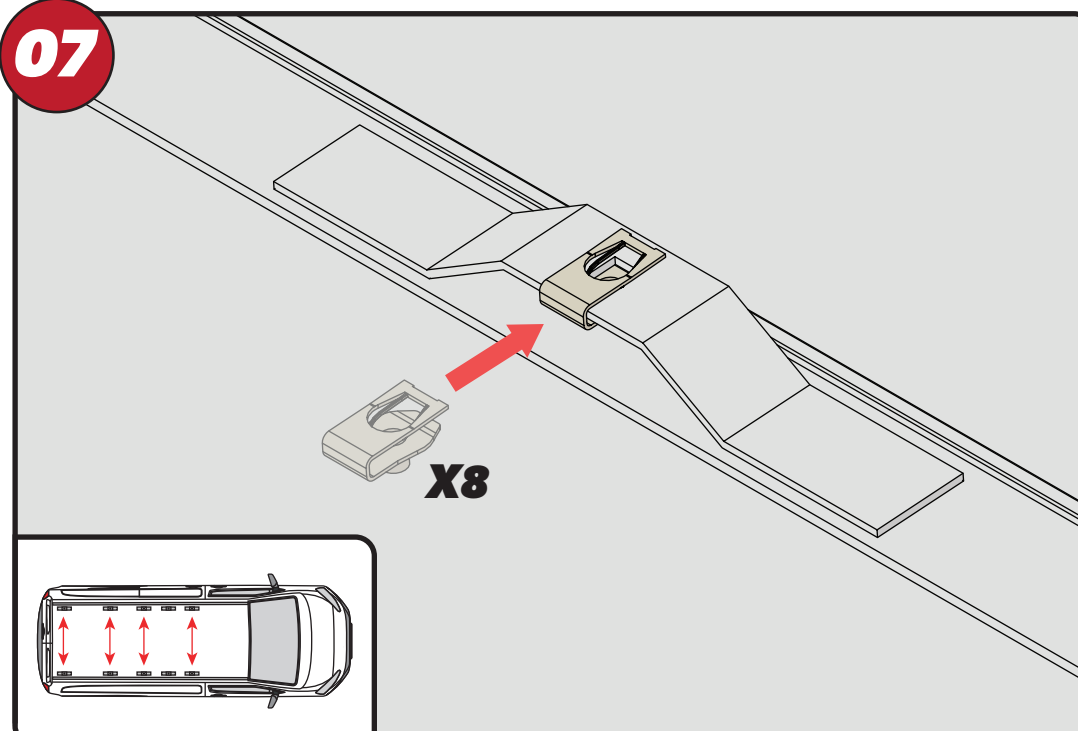
**X4**



**2**

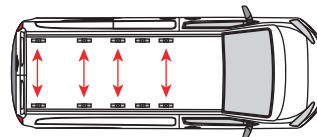
**X1**

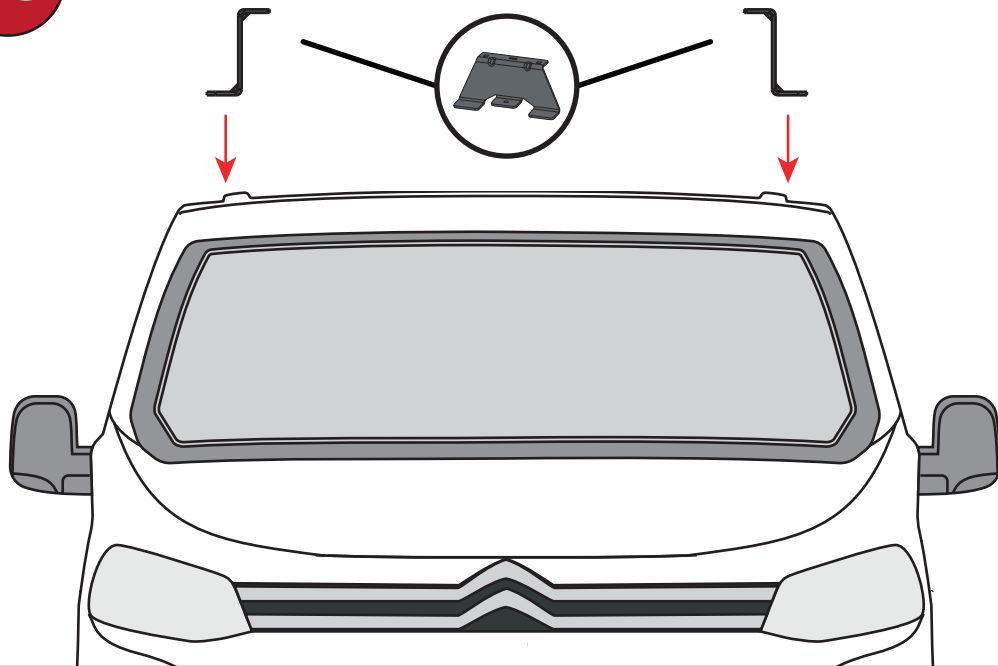
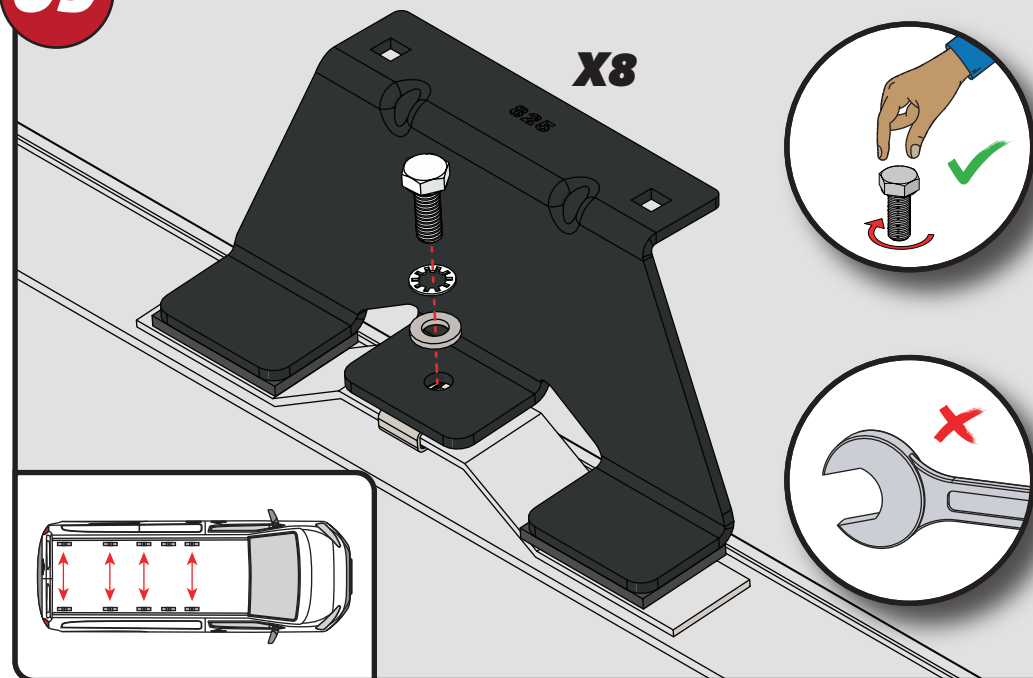
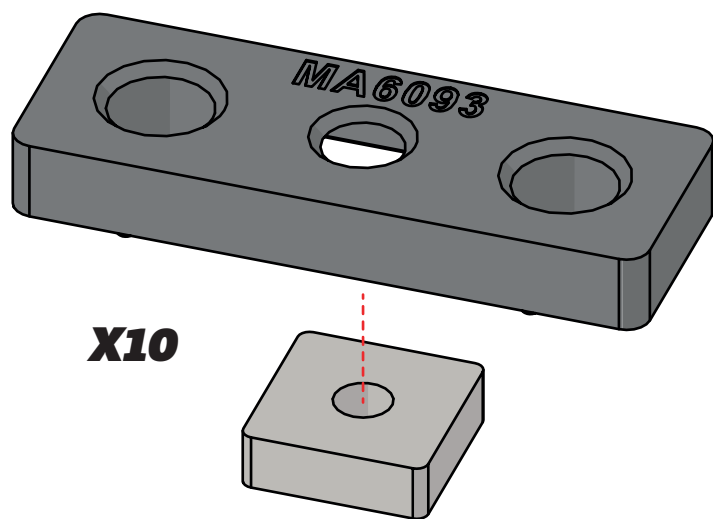
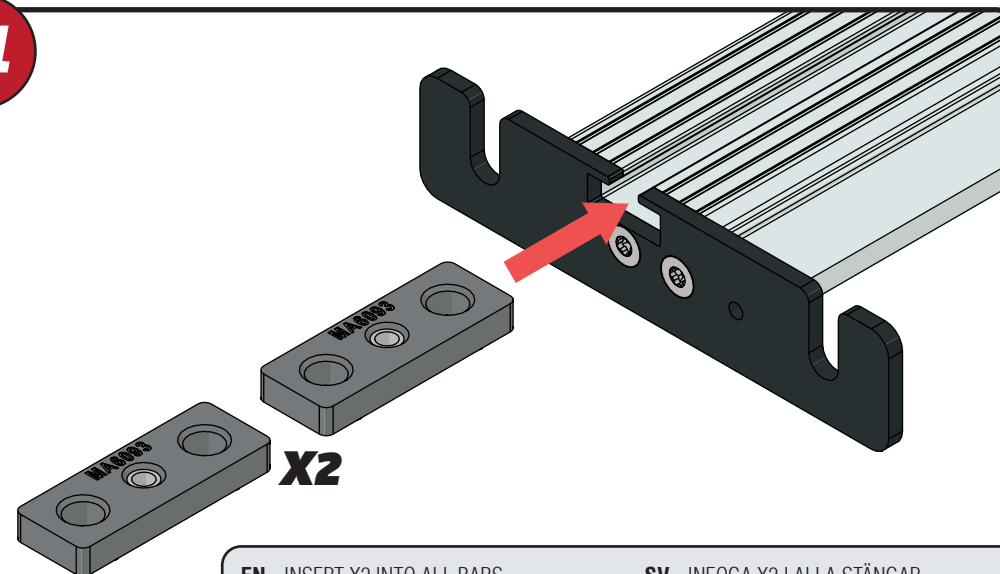


**05****823****824****872****826****827****06****07**

EN - STICK GASKETS TO ALL BRACKETS  
 DE - KLEBEN SIE DIE DICHTUNG AN ALLEN HALTERUNGEN  
 FR - COUSSINETS ADHÉSIFS À TOUS LES SUPPORTS  
 NL - PLAK PAKKING OP ALLE BEUGELS  
 ES - PEGA LAS ALMOHADILLAS A TODOS LOS SOPORTES  
 IT - ADESIVI GUARNIZIONI A TUTTE LE STAFFE

SV - FÄST GUMMI PÅ ALLA FÄSTEN  
 DA - KLÆB GUMMI PÅ ALLE BESLAG  
 NO - PLIST GUMMI PÅ ALLE BRAKKETTER  
 PL - NAKLEJ USZCZELKI DO WSZYSTKICH WSPORNIKÓW  
 CS - PŘILEPTE TĚSNĚNÍ NA VŠECHNY DRŽÁKY

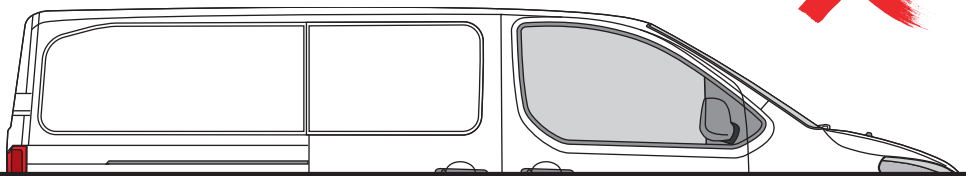
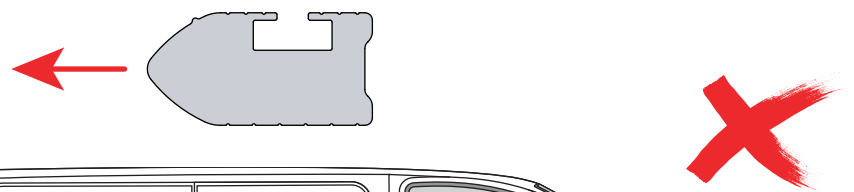
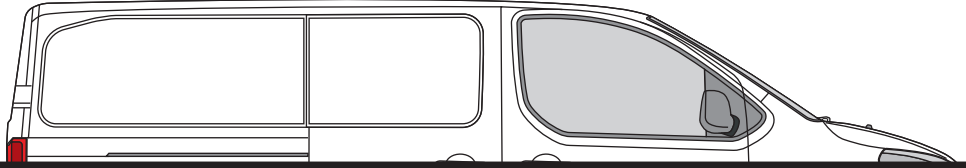


**08****09****10****11**

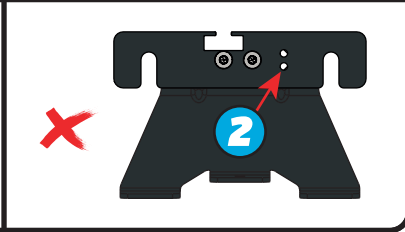
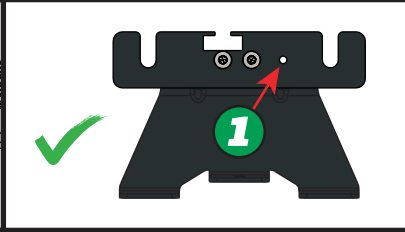
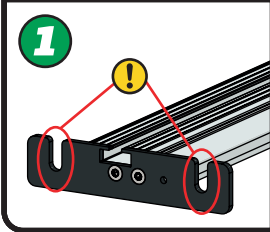
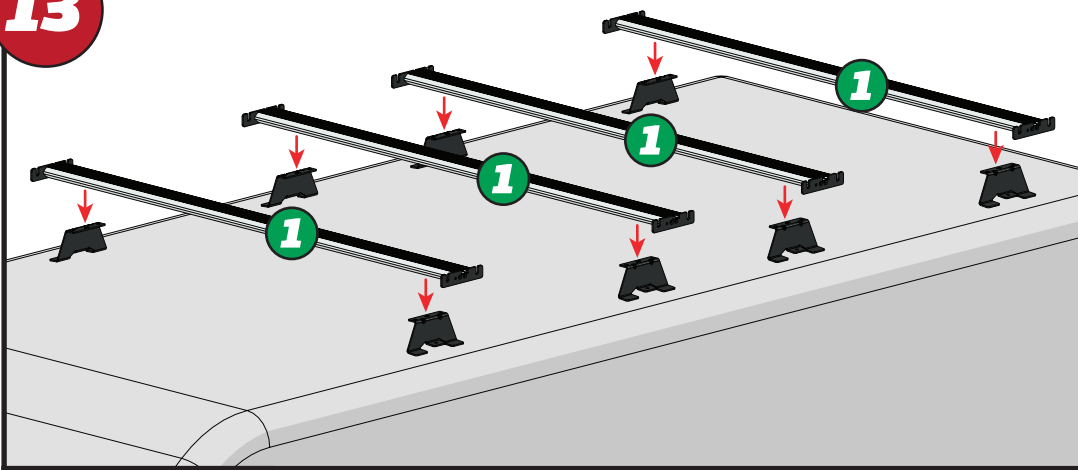
EN - INSERT X2 INTO ALL BARS  
 DE - X2 IN ALLE STANGEN EINFÜGEN  
 FR - INSÉRER X2 DANS TOUTES LES BARRES  
 NL - PLAATS X2 IN ALLE BARRAS  
 ES - INSERTAR X2 EN TODAS LAS BARRAS  
 IT - INSERIRE X2 IN TUTTE LE BARRE

SV - INFOGA X2 I ALLA STÄNGAR  
 DA - INDSÆT X2 I ALLE STÆNGER  
 NO - SETT X2 INN I ALLE TAKSTENGER  
 PL - WSTAW X2 DO WSZYSTKICH PRĘTÓW  
 CS - VLOŽTE X2 DO VŠECH TYČÍ

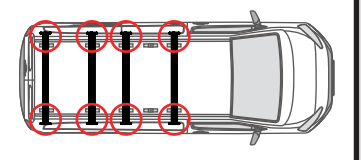
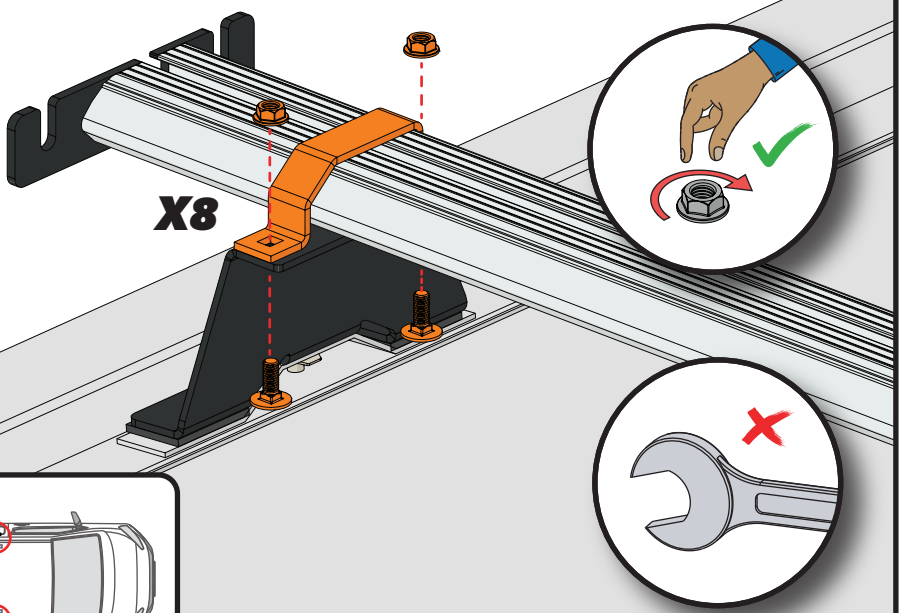
12



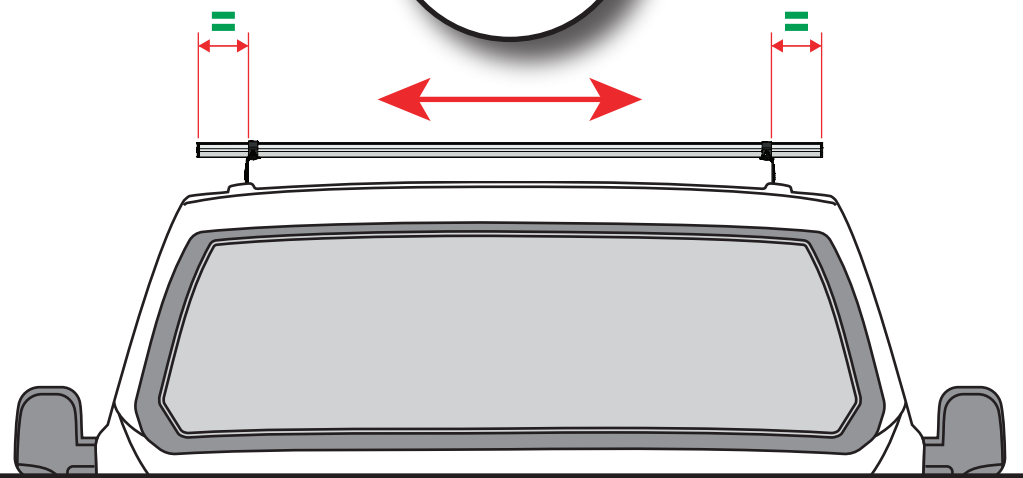
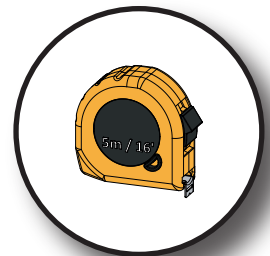
13



14



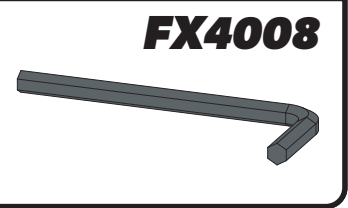
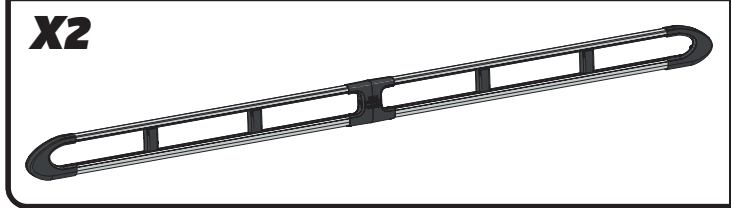
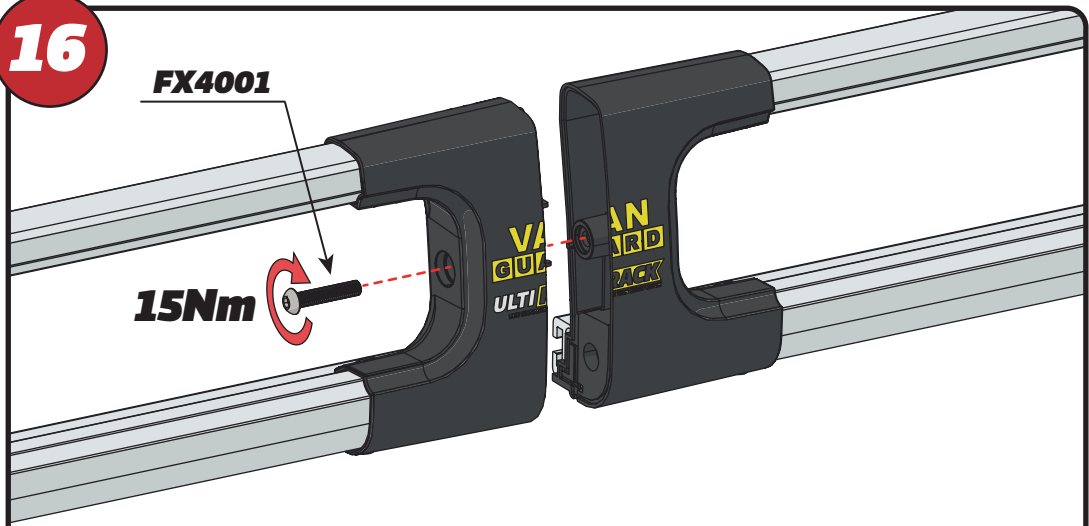
15



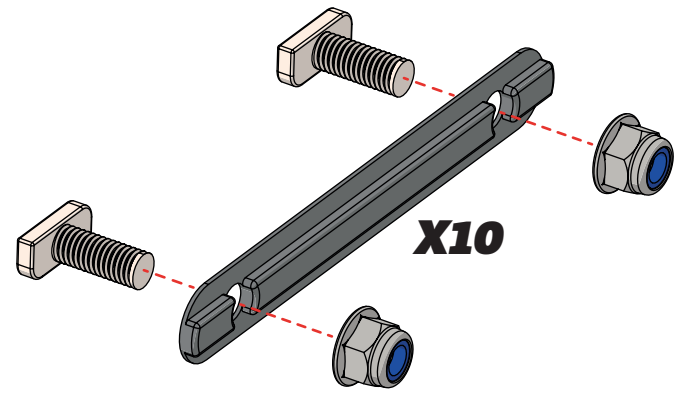
16

FX4001

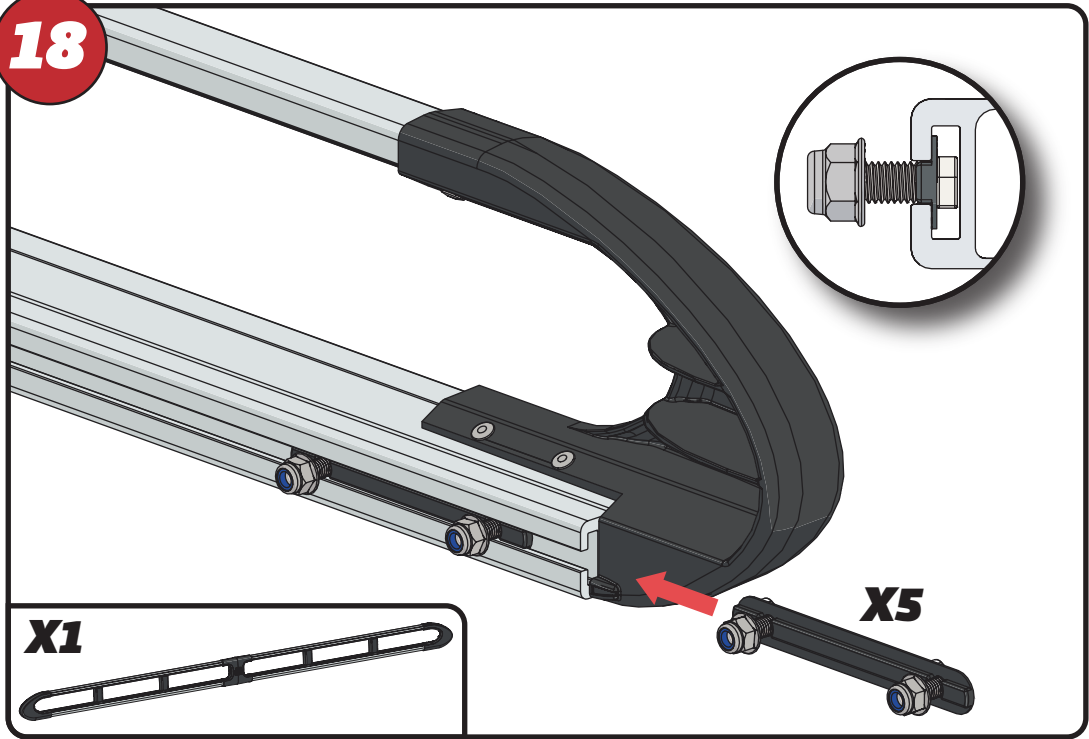
15Nm



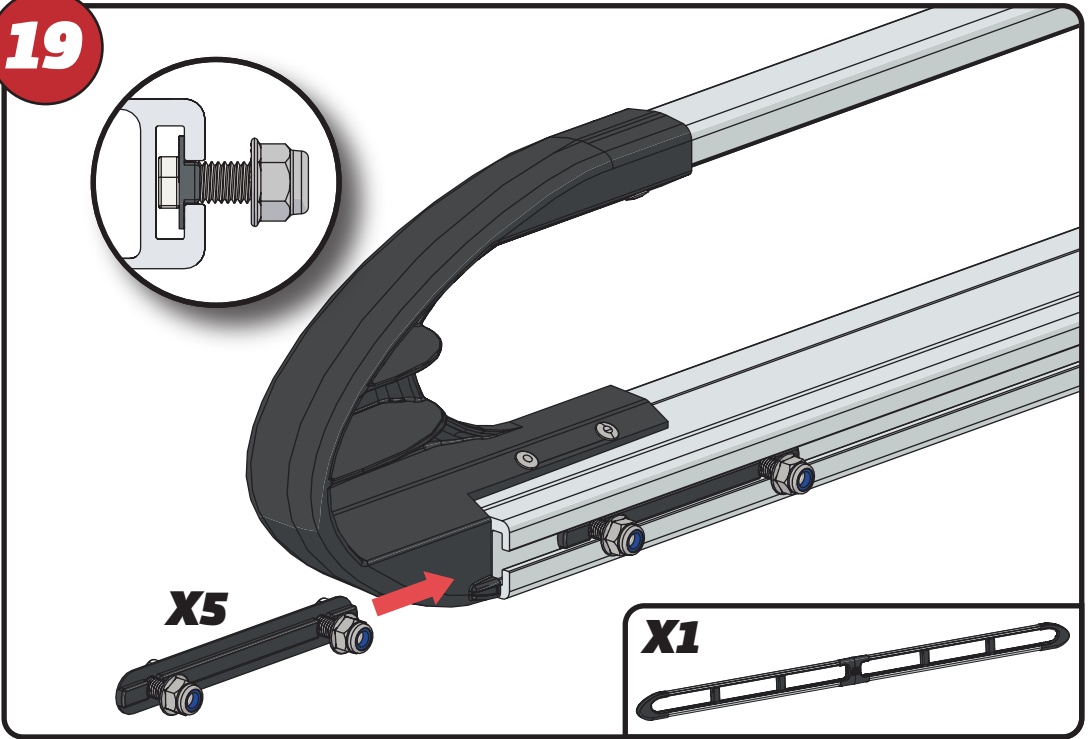
17



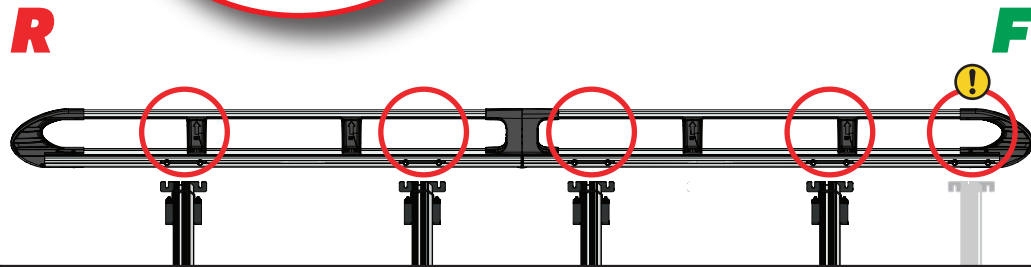
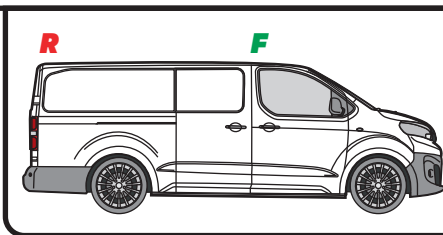
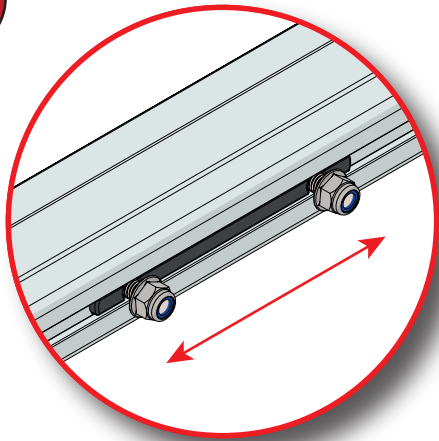
18



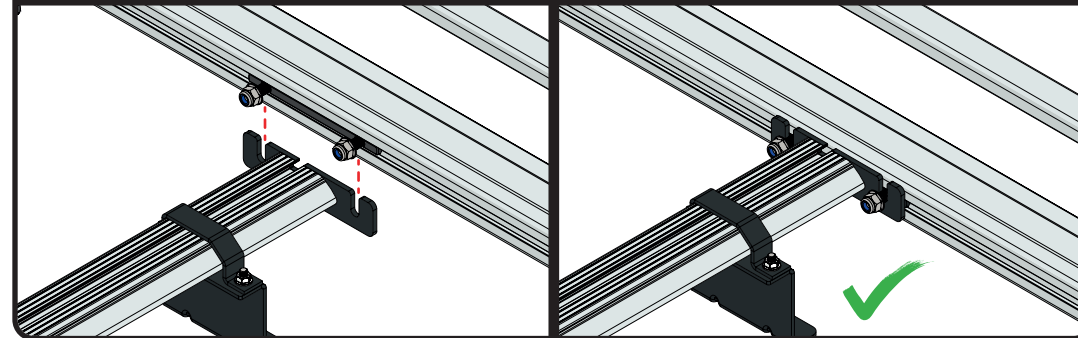
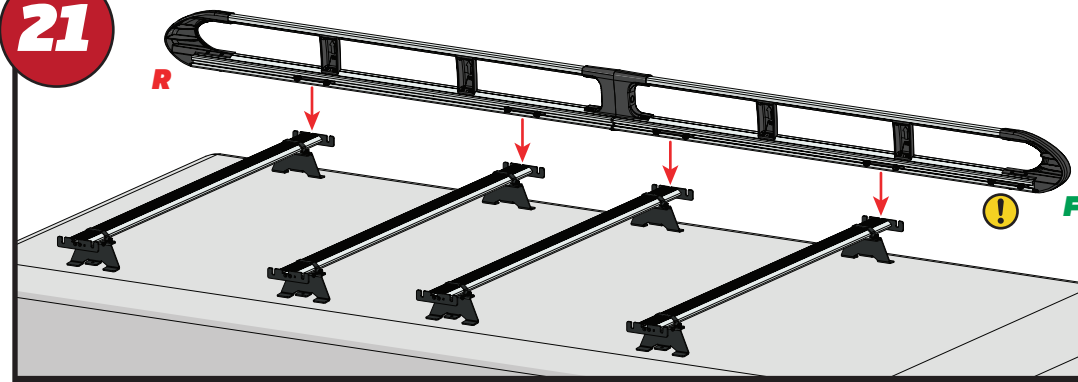
19



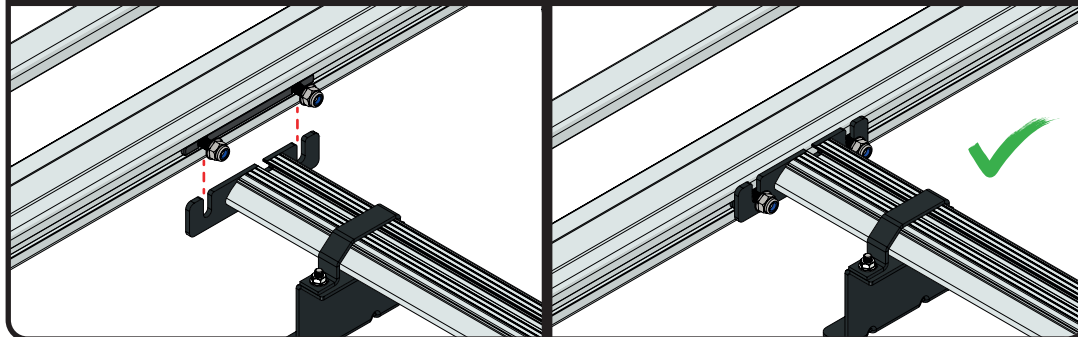
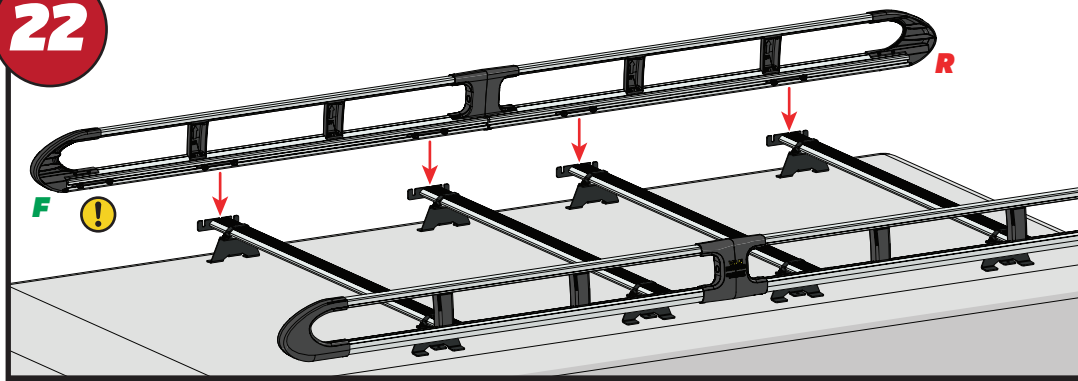
20



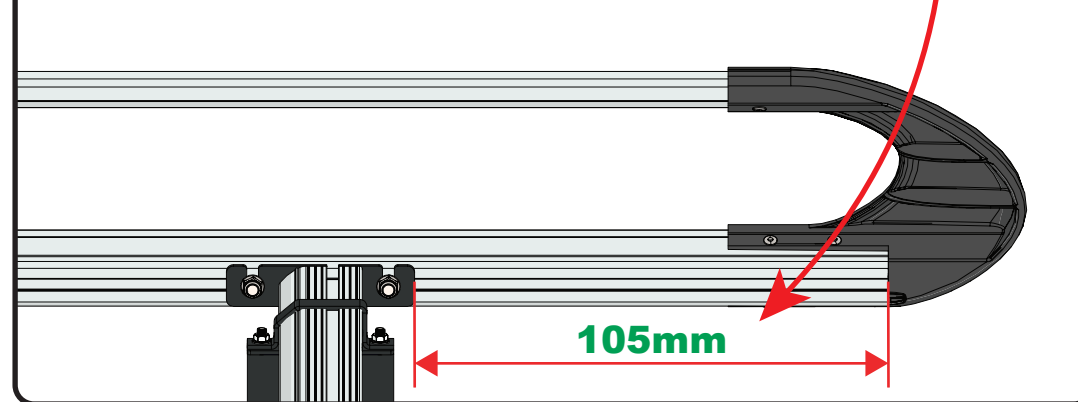
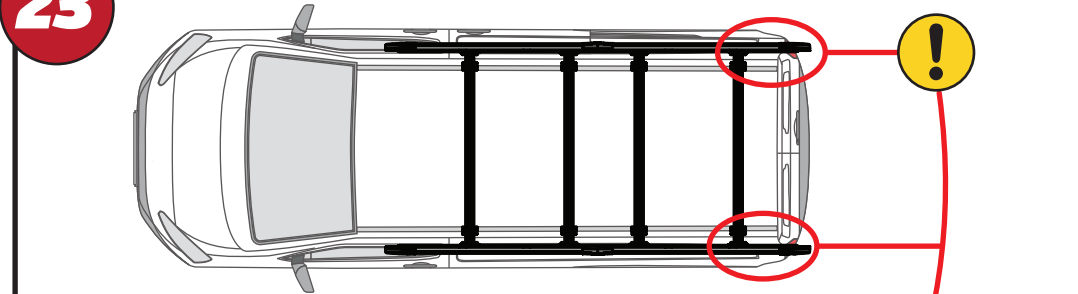
21

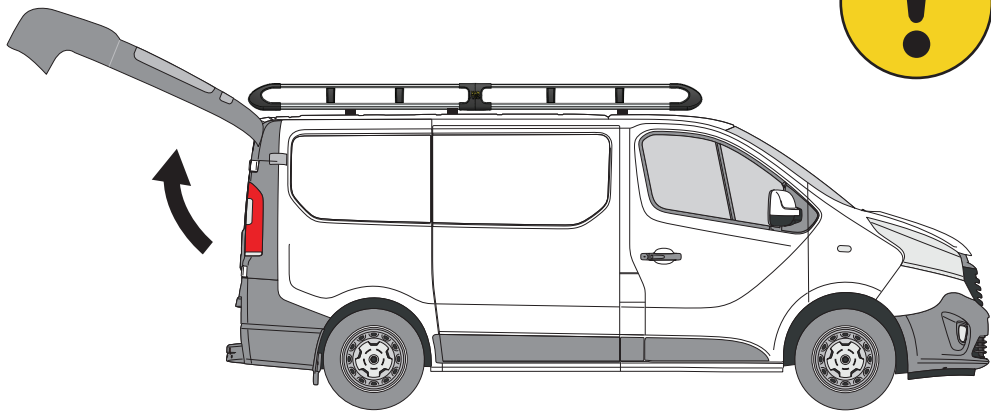


22



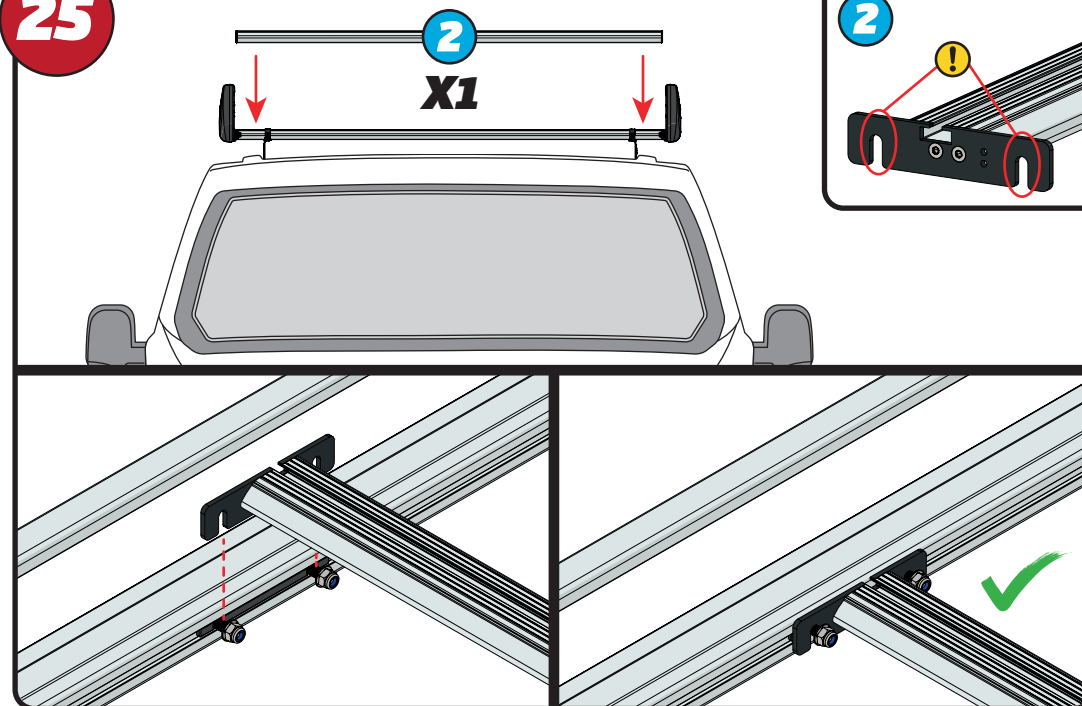
23



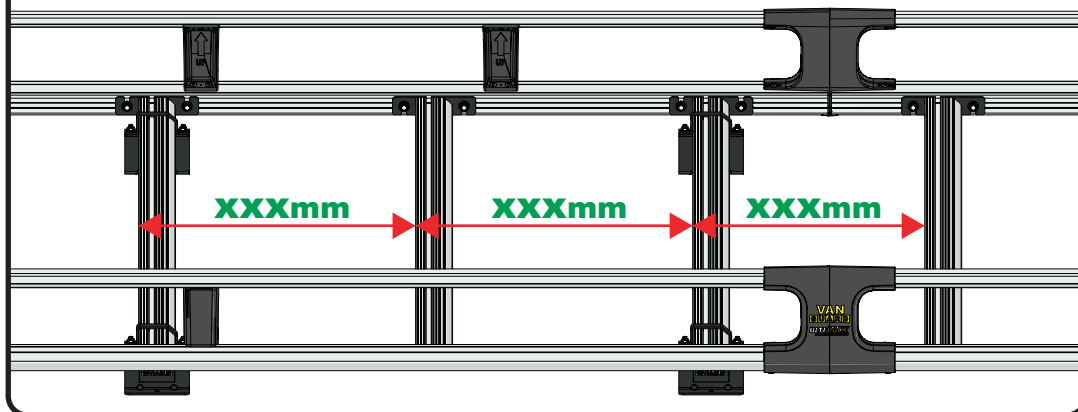
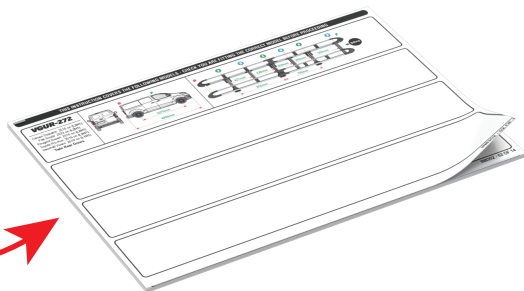
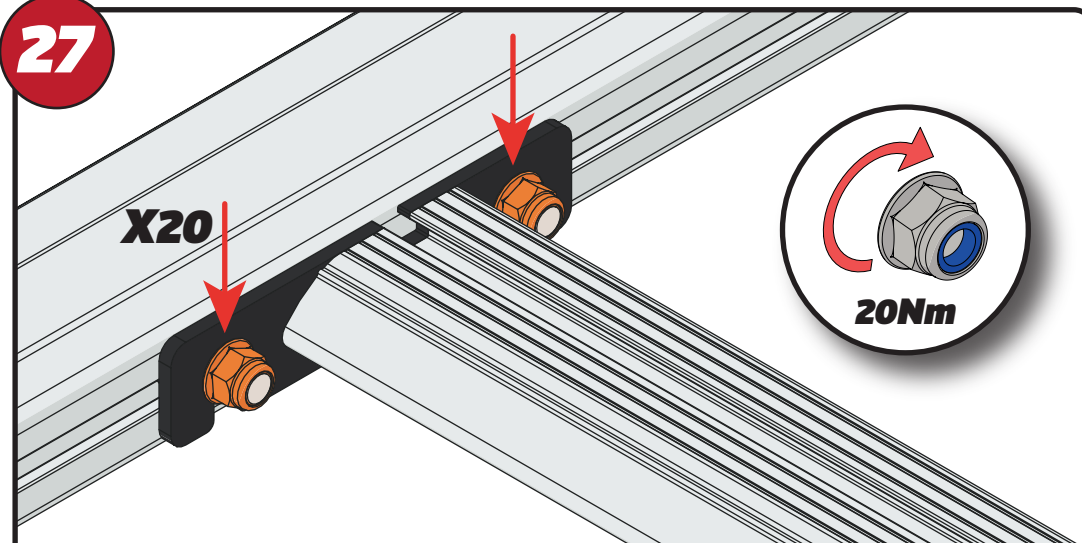
**24**

EN - CHECK TO ENSURE CLEARANCE FROM TAILGATE  
 DE - ÜBERPRÜFEN SIE DEN ABSTAND ZUR HECKKLAPPE  
 FR - VÉRIFIEZ LE DÉGAGEMENT PAR RAPPORT AU HAYON  
 NL - CONTROLEER OP VRIJHEID VAN DE ACHTERKLEP  
 ES - VERIFIQUE EL ESPACIO LIBRE CON LA PUERTA TRASERA  
 IT - CONTROLLARE LA DISTANZA DALLA PORTELLONE

SV - KONTROLLERA AVSTÅND TILL BAKLUCKAN  
 DA - KONTROLLER AFSTAND TIL BAGKLAPPEN  
 NO - KONTROLLER KLARERING FRA BAKLUKE  
 PL - SPRAWDŹ PRZEŚWIT OD TYLNEJ KLAPY  
 CS - ZKONTROLUJTE VZDÁLENOST OD ZADNÍCH DVEŘÍ

**25****26**

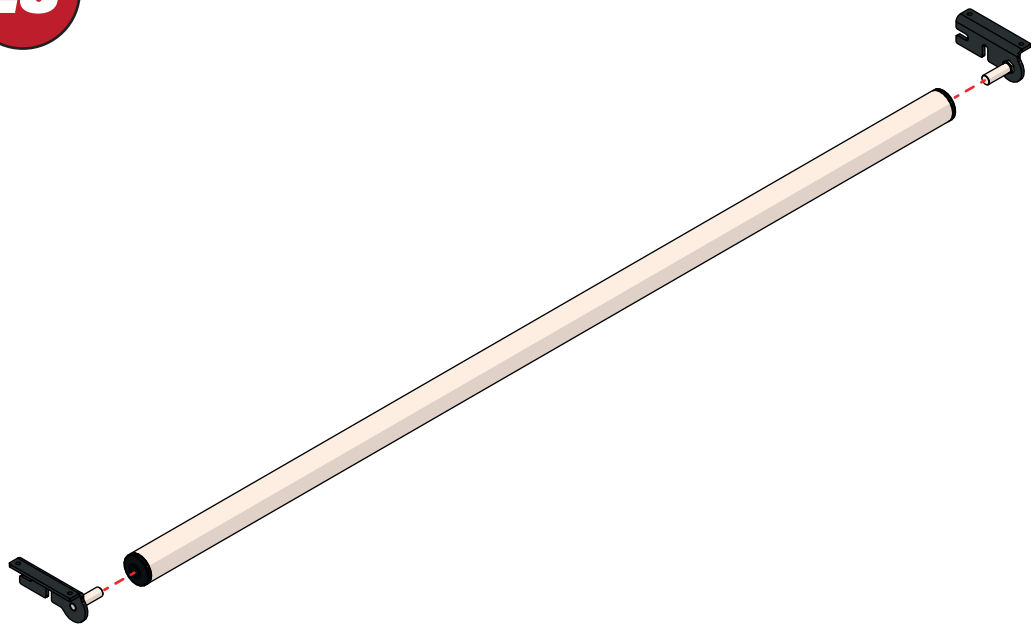
XXX =  
 PAGE 2 OF 14

**27**

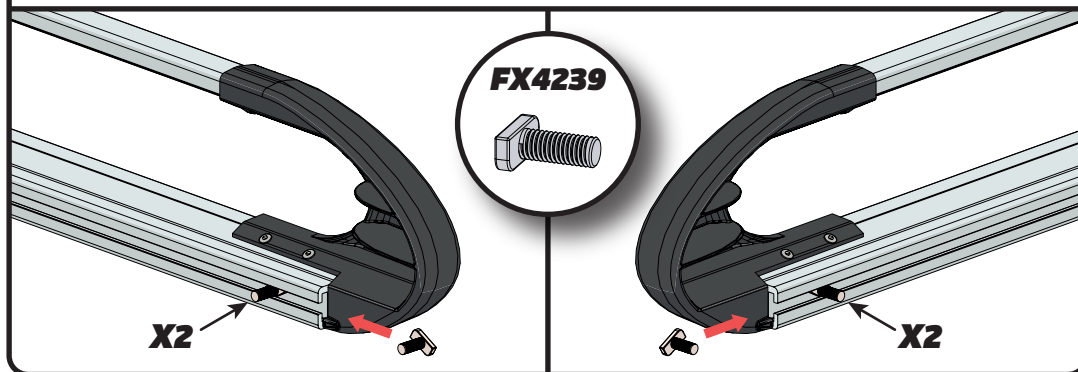
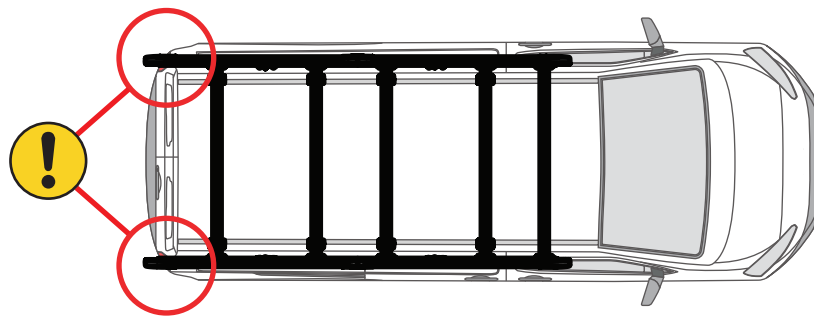
EN - TIGHTEN ALL OF THE CROSS BARS  
 DE - ALLE QUERSTANGEN FESTZIEHEN  
 FR - SERREZ TOUTES LES BARRES TRANSVERSALES  
 NL - DRAAI ALLE DWARSBALK VAN HET DAK AAN  
 ES - APRIETE TODAS LAS BARRAS TRANSVERSALES  
 IT - STRINGERE TUTTE LE BARRE TRASVERSALI

SV - SKRU UPP ALLA KORSSTANGAR  
 DA - SKRU ALLE TAGBØJLER OP  
 NO - SKRU OPP ALLE TVERRSTENGER  
 PL - DOKRĘCIĆ WSZYSTKIE POPRZECZKI  
 CS - VŠECHNY PŘÍČNÉ TYČE SEŠROUJTE

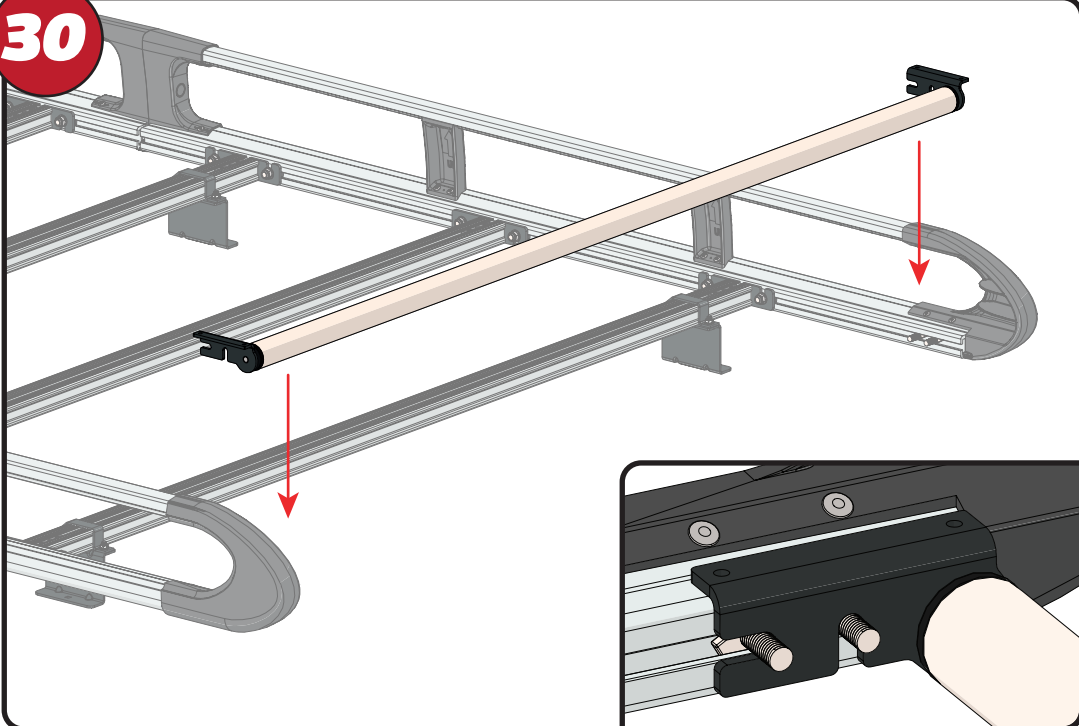
28



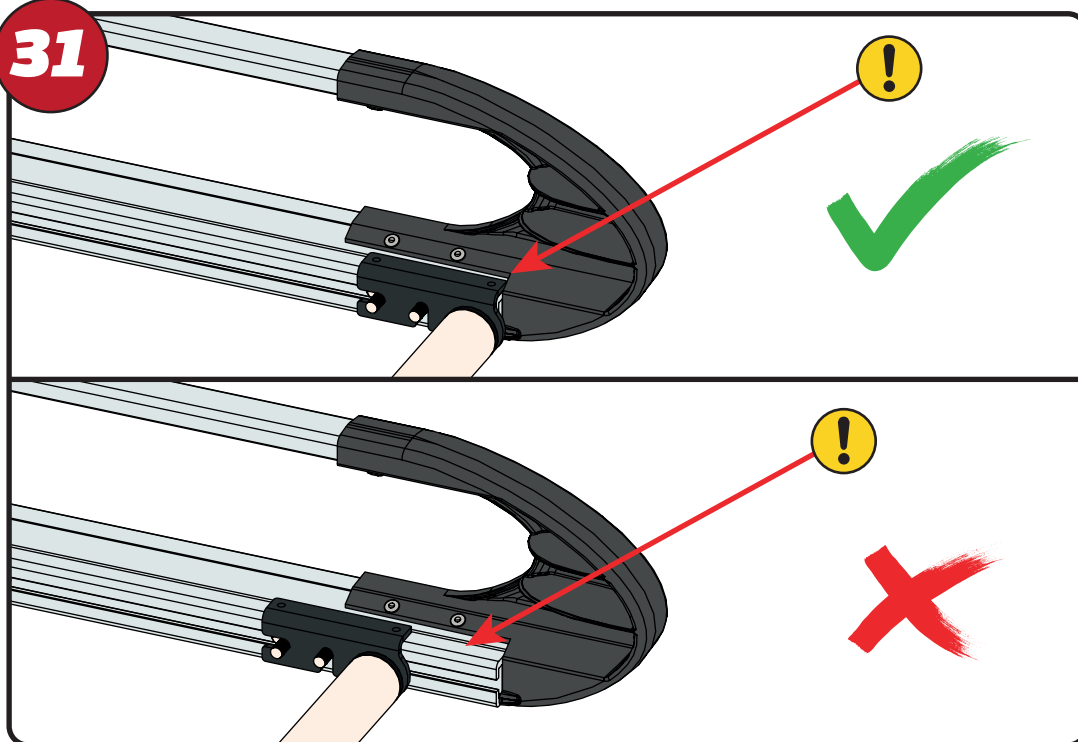
29



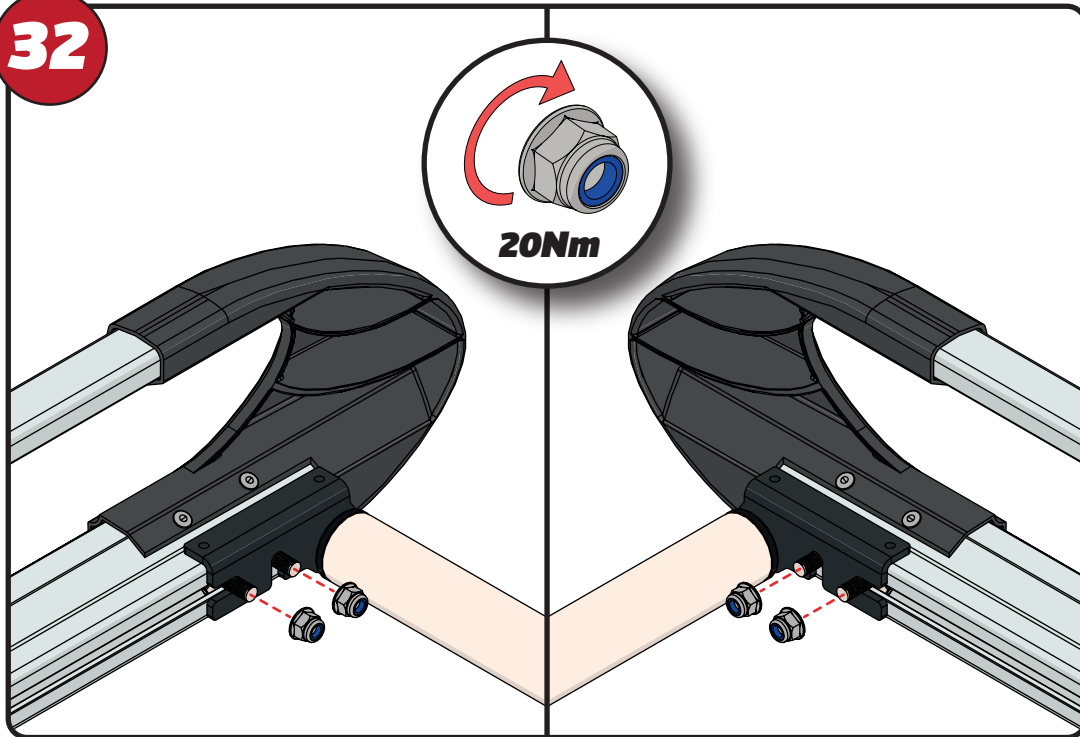
30



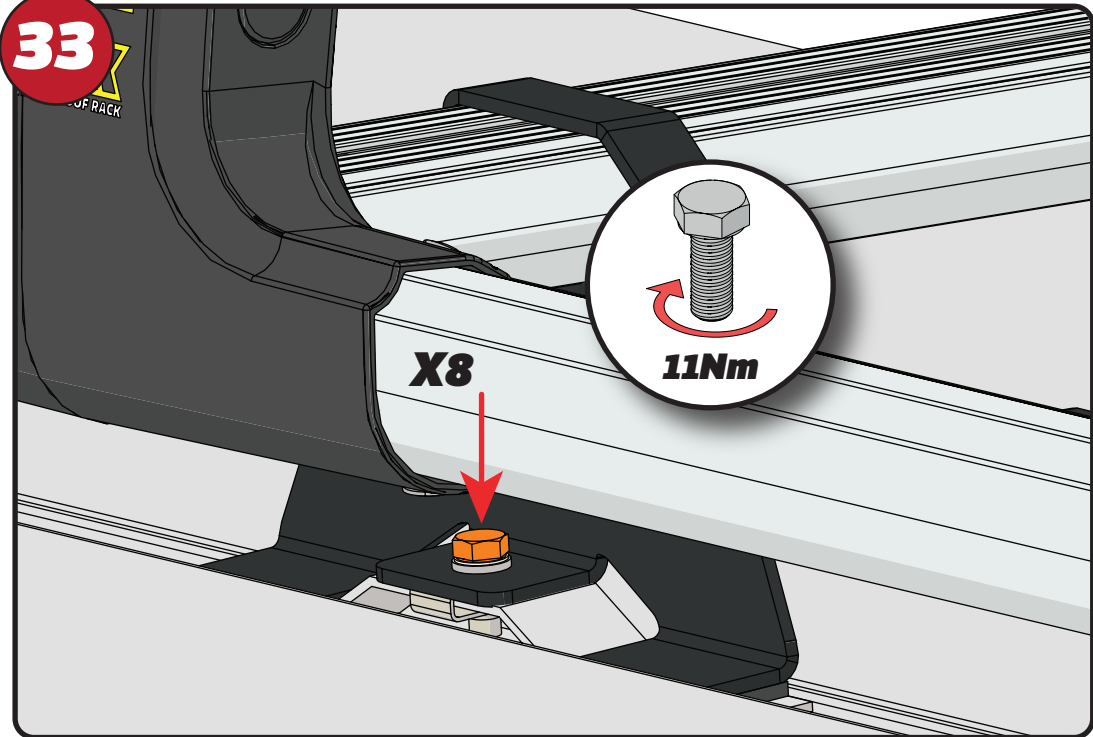
31



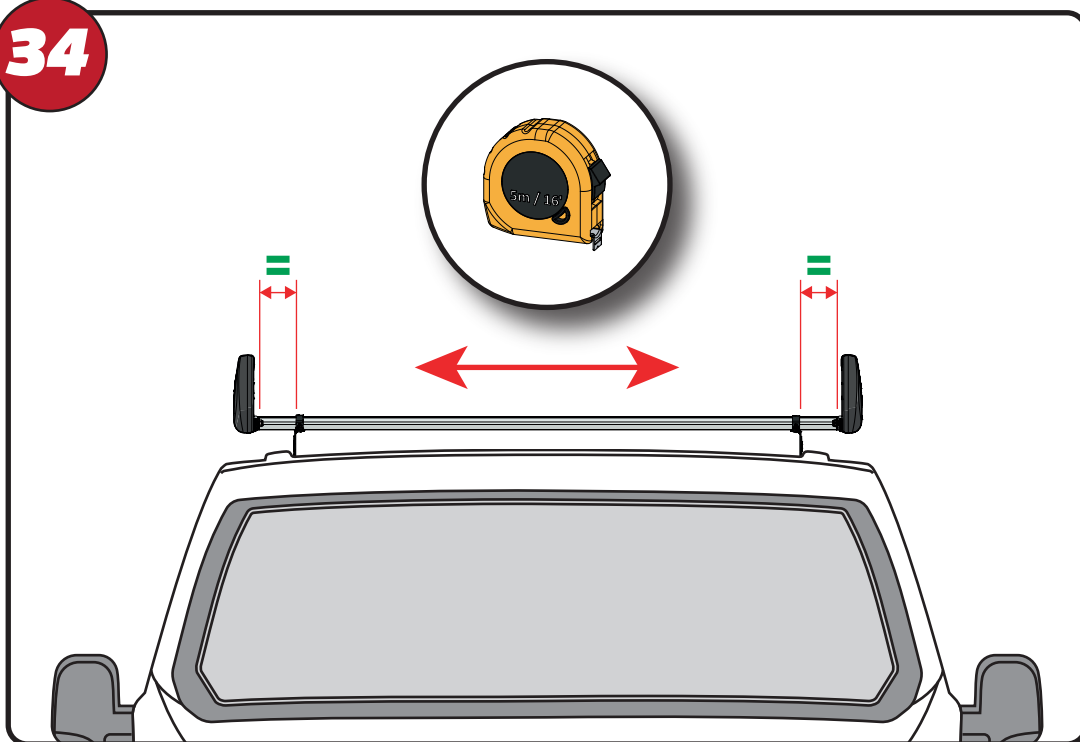
32



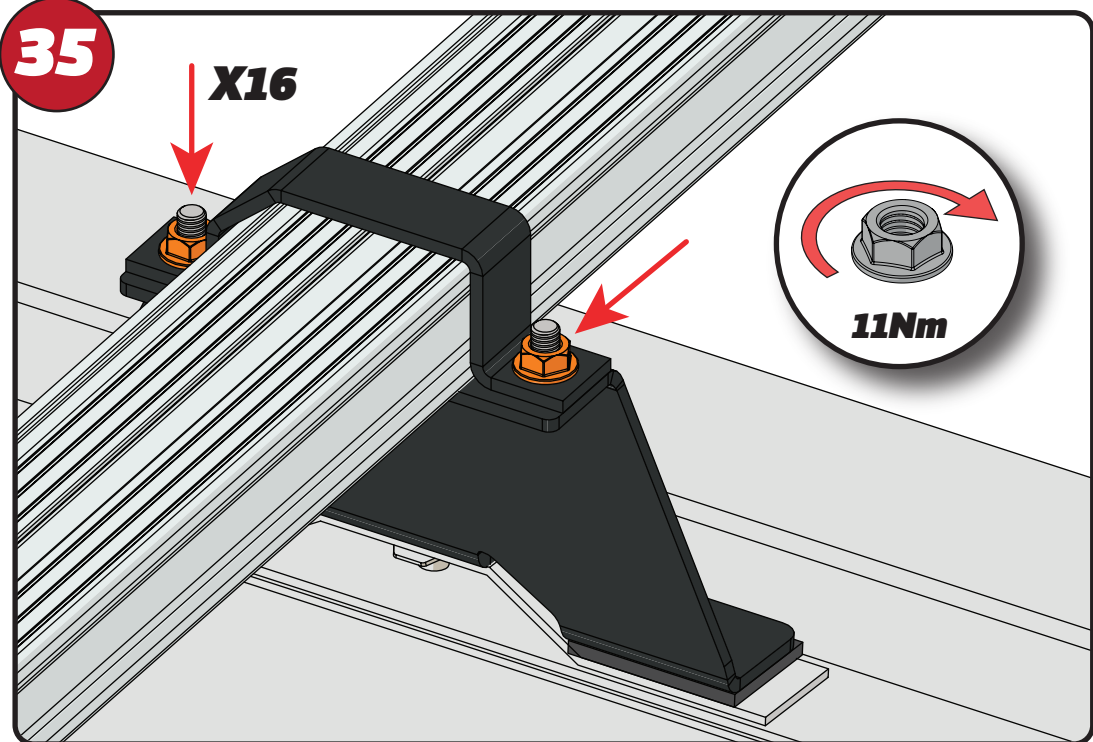
33



34



35

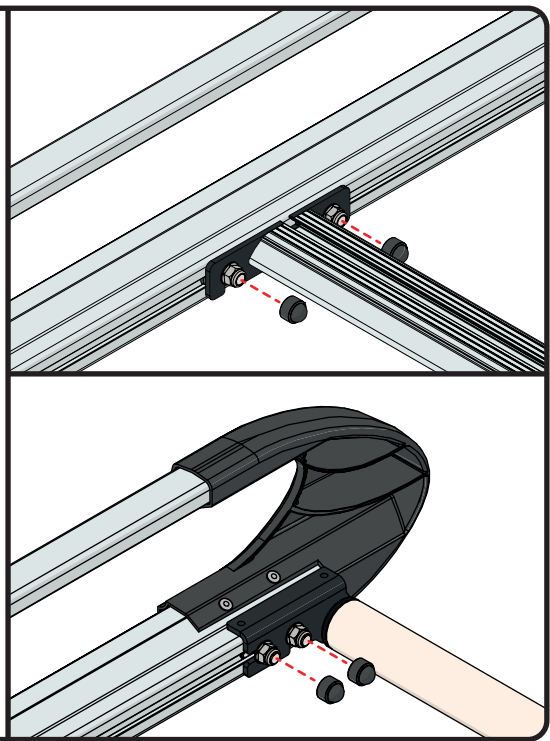


36



FX4241

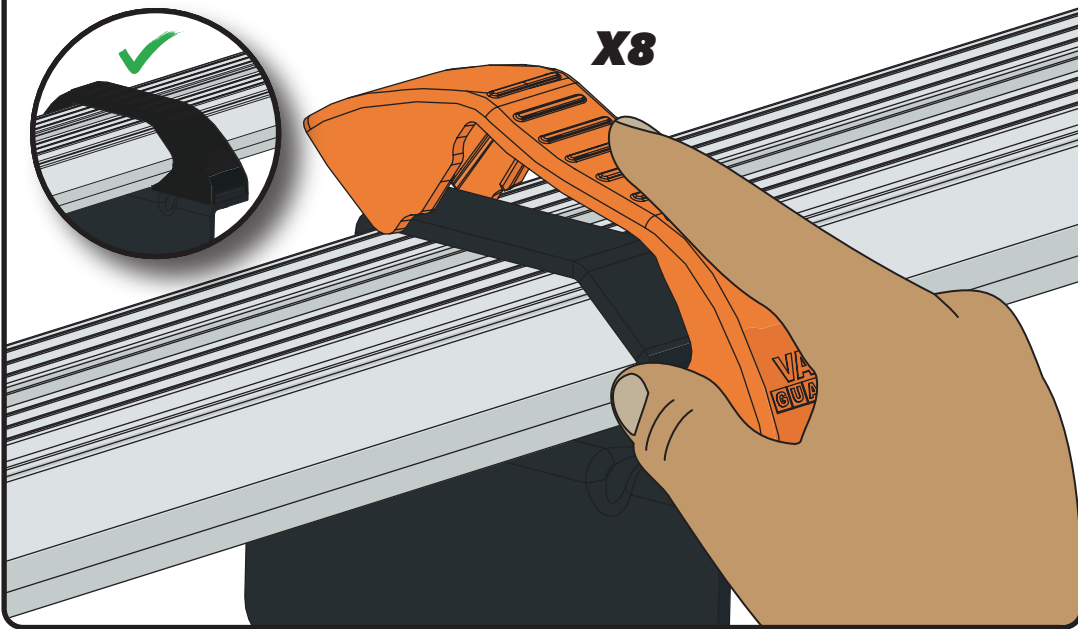
X24



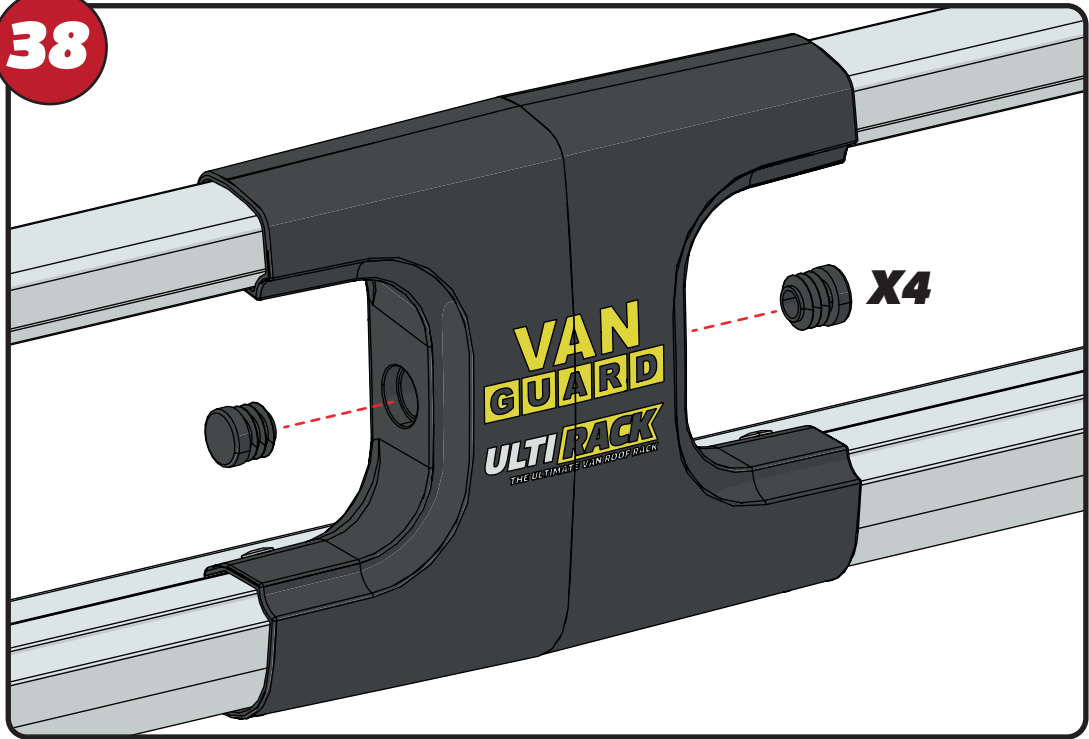
37



X8



38



VAN GUARD  
ULTIRACK  
THE ULTIMATE VAN ROOF RACK

X4

39

