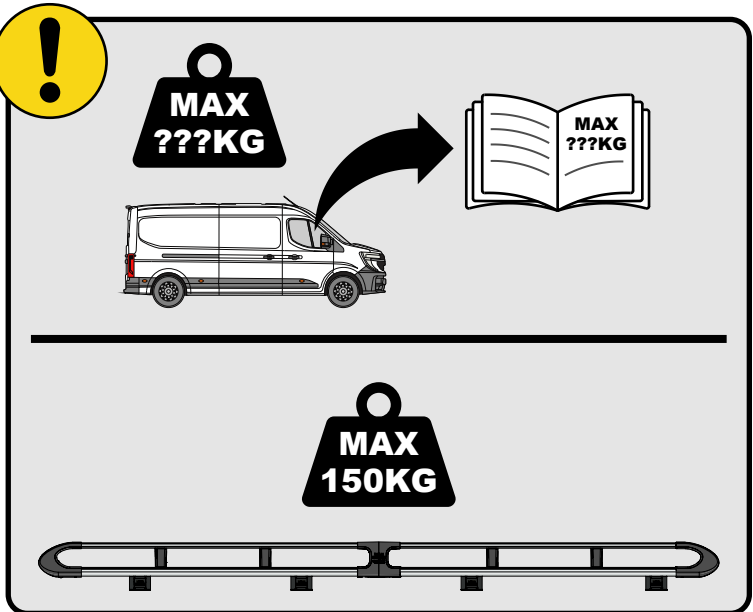
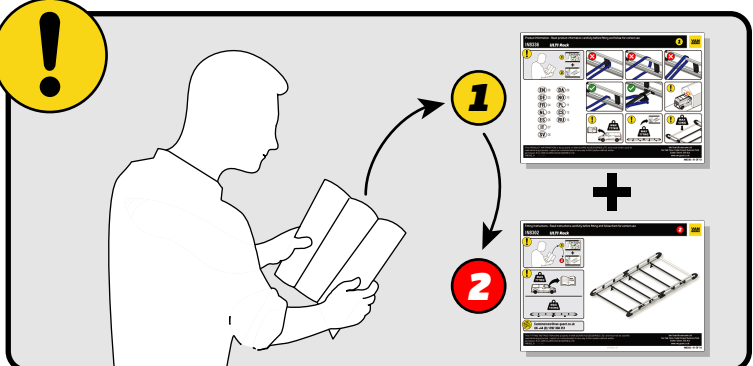



IN8450

ULTI Rack+



 Customercare@van-guard.co.uk
UK +44 (0) 1392 368 351



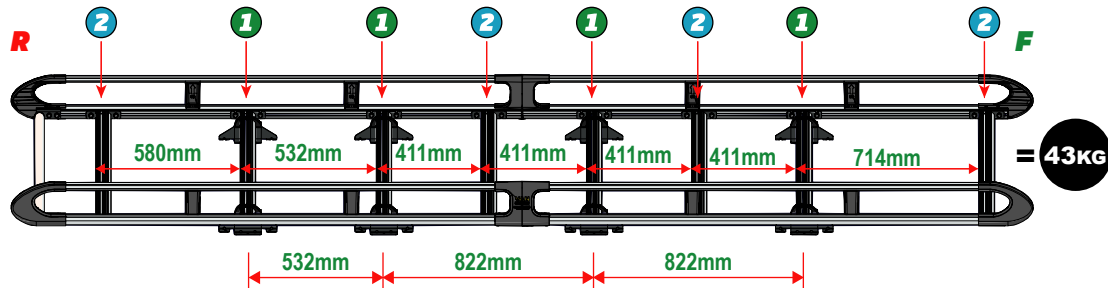
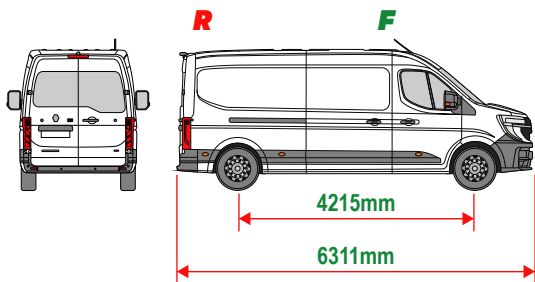
This FITTING INSTRUCTION is the property of VAN GUARD ACCESSORIES LTD. and must not be used for manufacturing purposes, copied nor communicated in any way to third parties without written permission from VAN GUARD ACCESSORIES LTD.
IN8450_A (CN:NR)

Van Guard Accessories Ltd
Fair Oak Close, Exeter Airport Business Park,
Exeter, Devon, EX5 2UL
www.van-guard.co.uk

THIS INSTRUCTION COVERS THE FOLLOWING MODELS - CHECK YOU ARE FITTING THE CORRECT MODEL BEFORE PROCEEDING

VGUR-304

Nissan Interstar: 2025 on
 Renault Master: 2025 on
L3H2 (MWB)
 Twin Rear Doors



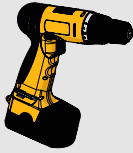
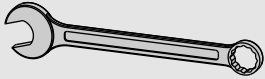
SUPPLIED COMPONENTS - CHECK ALL PARTS ARE PRESENT AND CORRECT BEFORE PROCEEDING (1 OF 2)

TOOLS REQUIRED

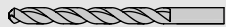
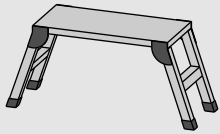
10MM X1



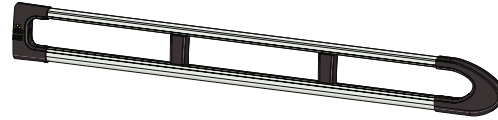
13MM X2



Ø4 & Ø9



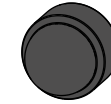
AS3549 X2
(3800 / A)



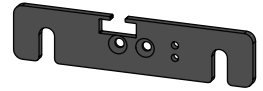
MA6118 X16



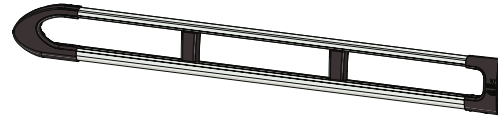
FX4241 X36



ME1622 X4



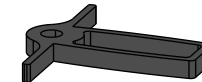
AS3548 X2
(3800 / B)



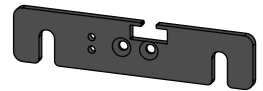
FX4008 X1



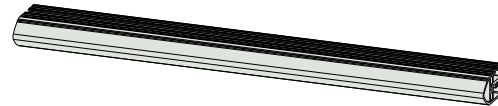
MA6145 X1



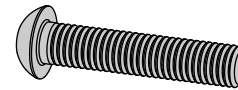
ME1623 X4



ME1628 X8
(1554mm)



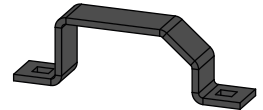
FX4001 X2
(M8X40)



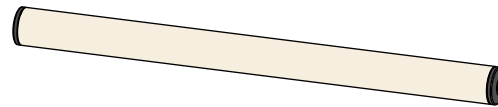
FX4235 X32
(M5X25)



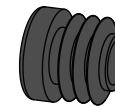
ME0203 X10



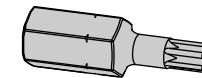
AS3160 X1
(1540mm)



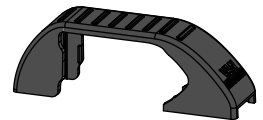
MA6007 X4



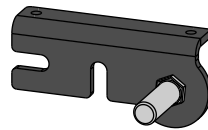
FX4248 X1
(T25)



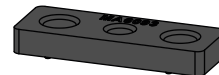
MA6065 X10



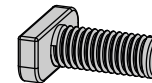
AS3590 X1



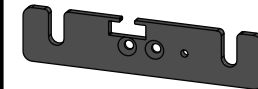
MA6093 X16



FX4239 X36
(M8X20)



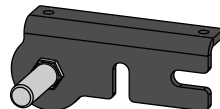
ME1620 X4



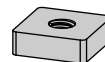
FX4016 X20
(M6)



AS3591 X1



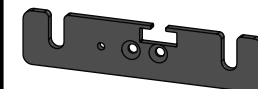
ME0316 X16



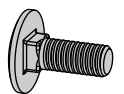
FX4240 X36
(M8)



ME1621 X4

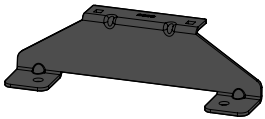


FX4042 X20
(M6X16)



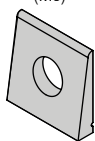
SUPPLIED COMPONENTS - CHECK ALL PARTS ARE PRESENT AND CORRECT BEFORE PROCEEDING (2 OF 2)

ME2500 X8



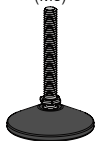
FX4318 X16

(M8)



MA6060 X2

(M8)

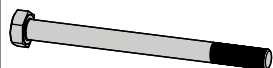


ME2501 X16



FX4319 X8

(M8x100)

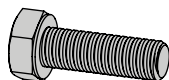


MA6269 X16



FX4028 X16

(M8x25)



FX4014 X16

(RUBBER)

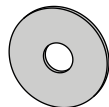


ME2545 X2



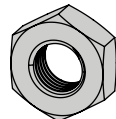
FX4040 X16

(M8)



FX4072 X4

(M8)



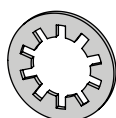
FX4011 X24

(M8)



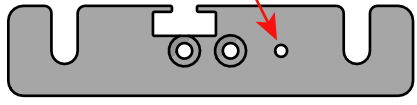
FX4019 X4

(M8)



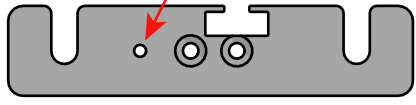
01

1L



X4

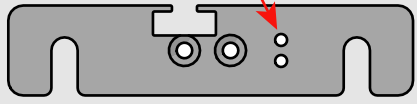
1R



X4

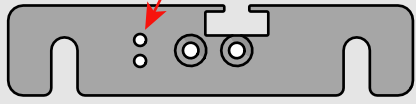


2L



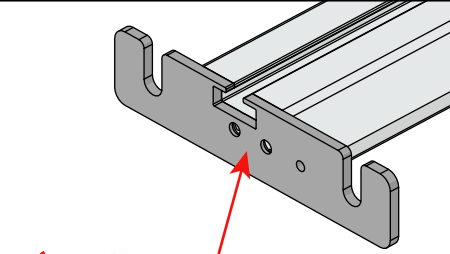
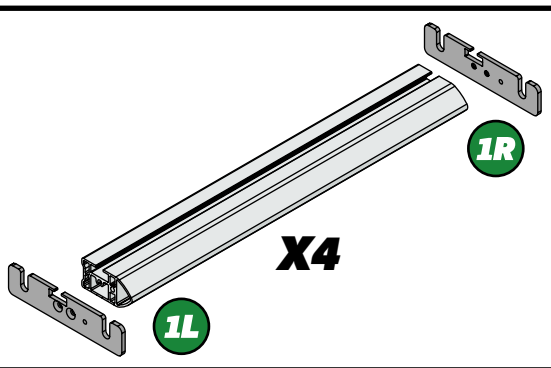
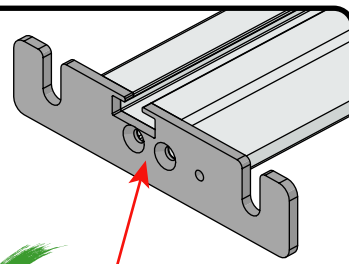
X4

2R



X4

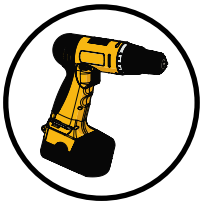
02



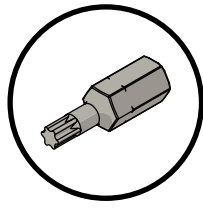
03

01

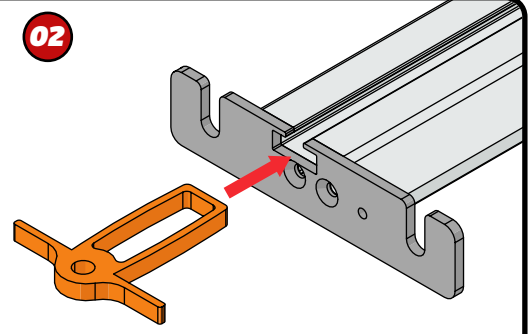
FX4248



+



02



04

1

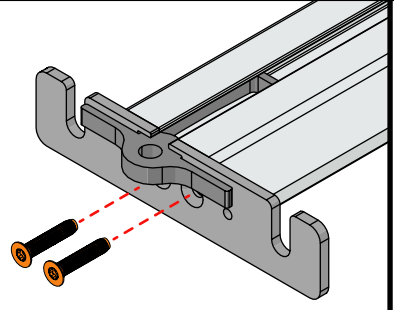
X4



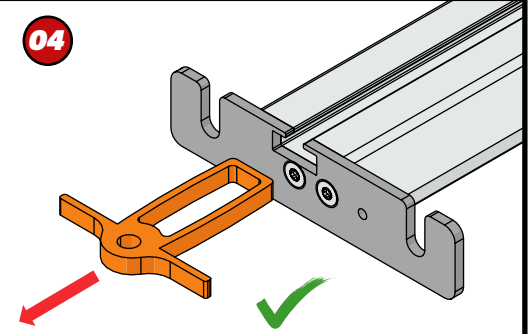
2

X4

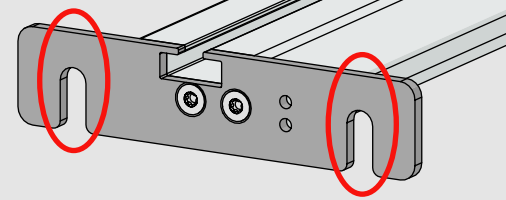
03



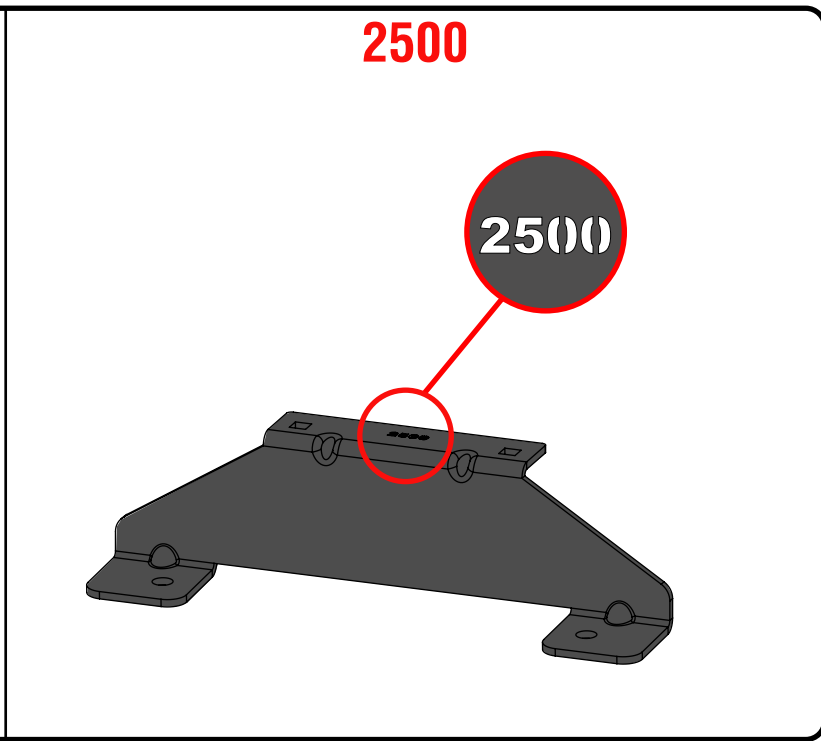
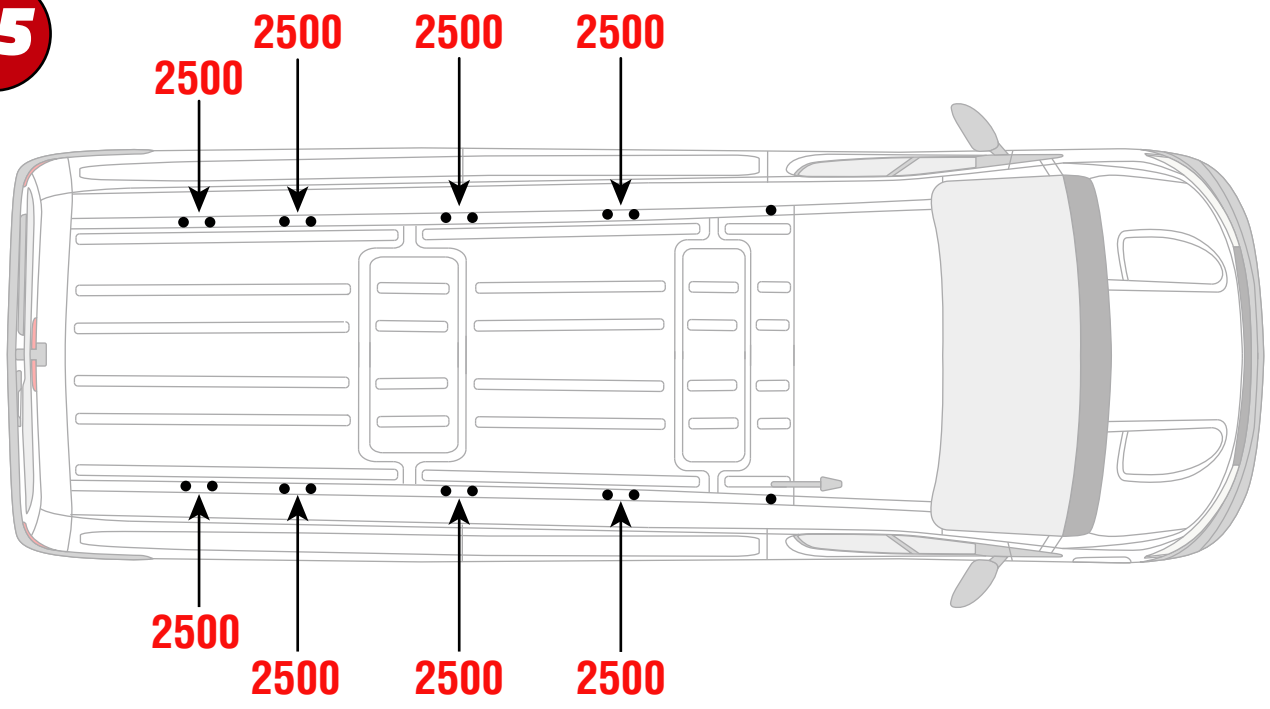
04



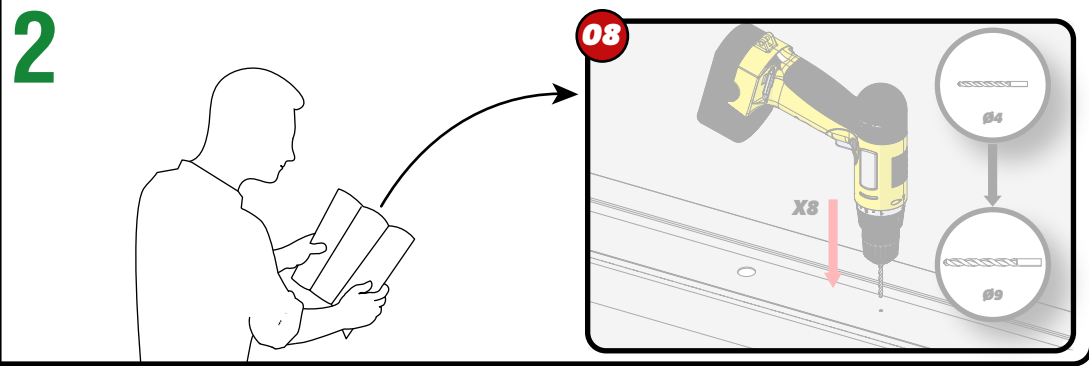
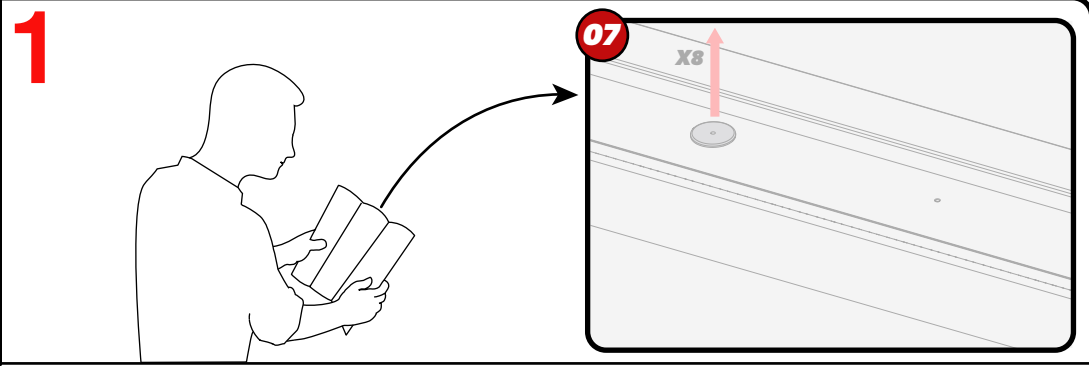
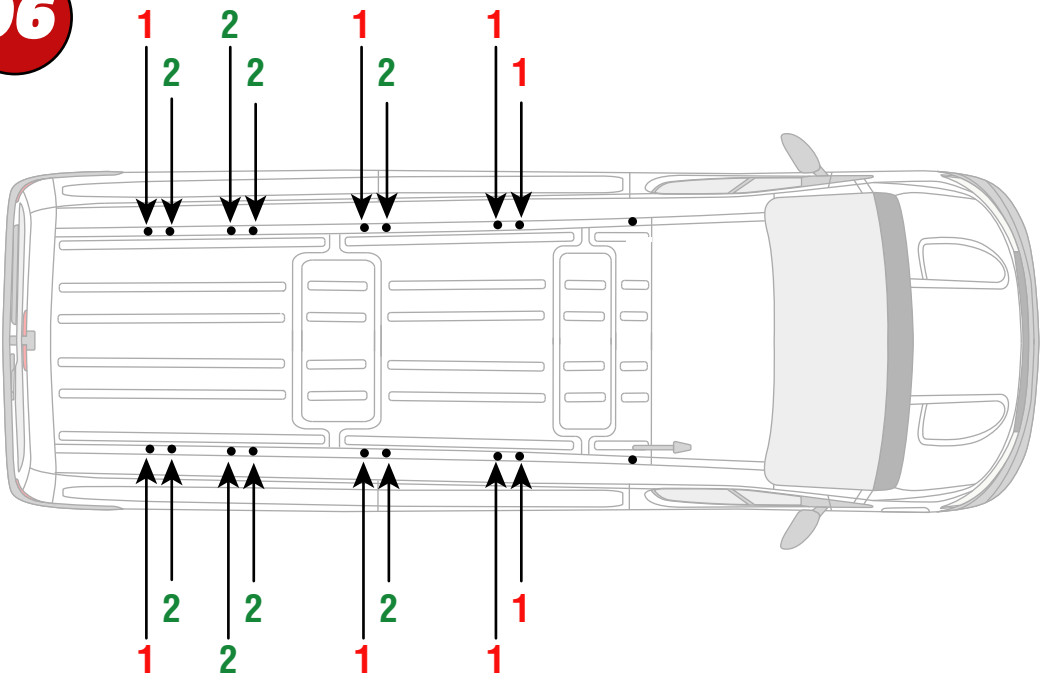
11Nm



05



06

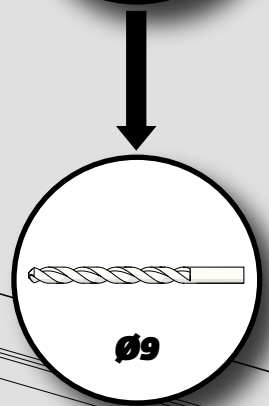
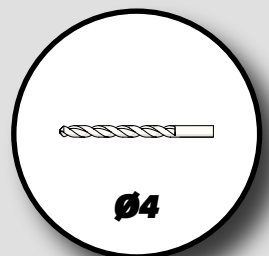
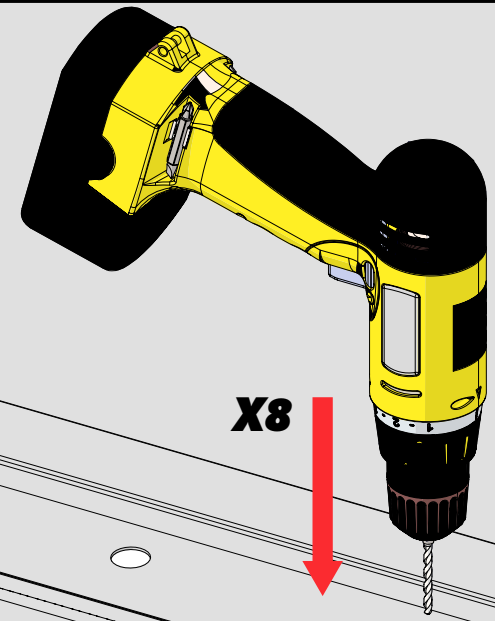


07

X8



08



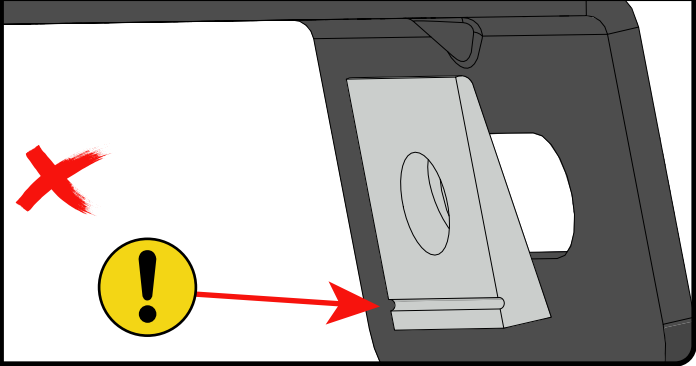
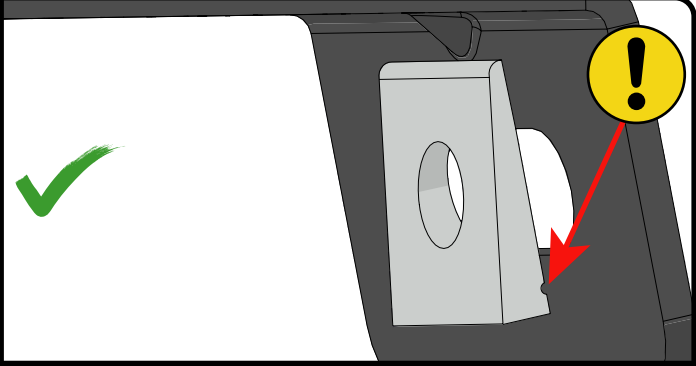
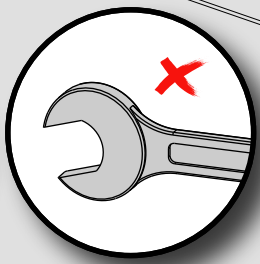
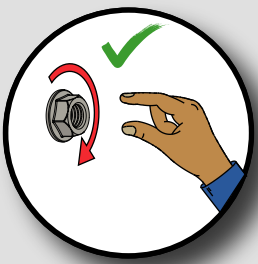
09

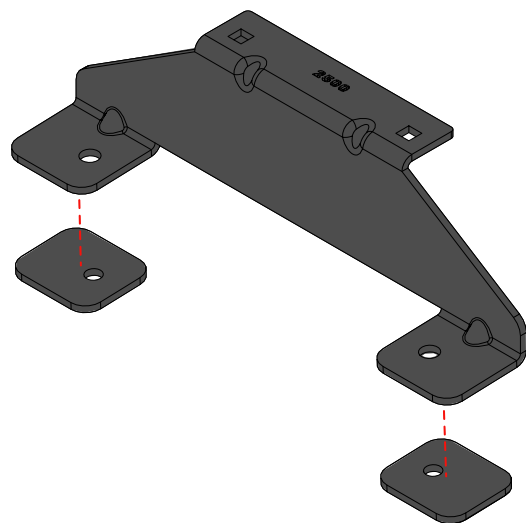
FX4011 (M8)

X8

FX4318 (M8)

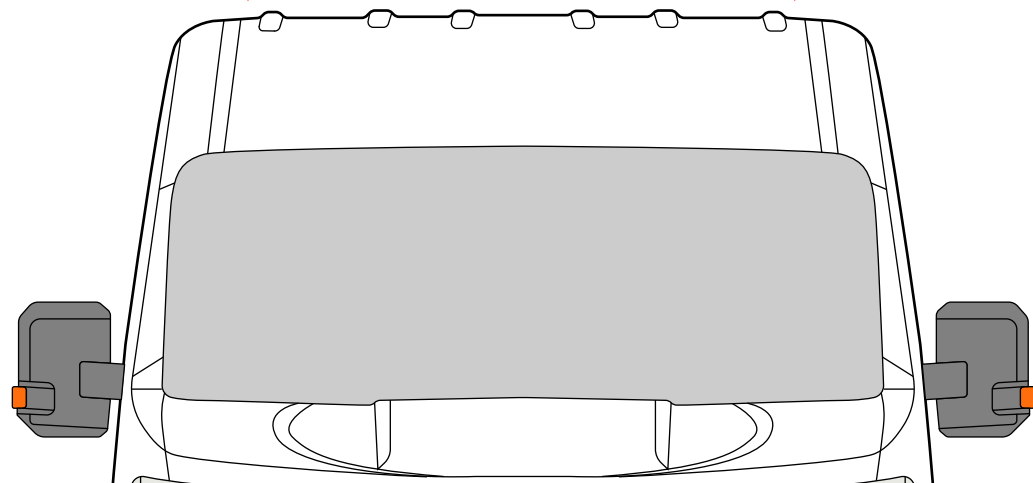
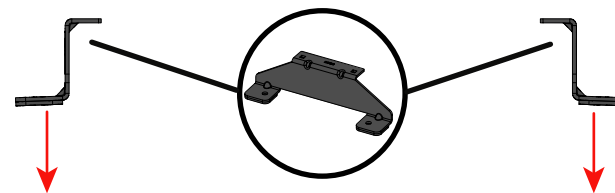
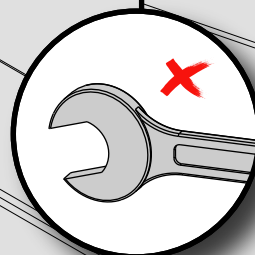
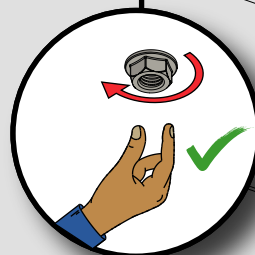
FX4011 (M8)

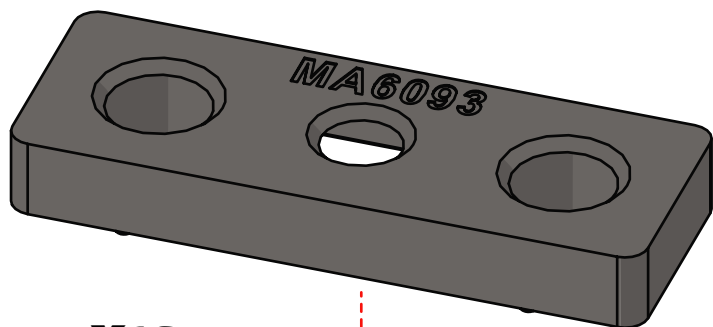
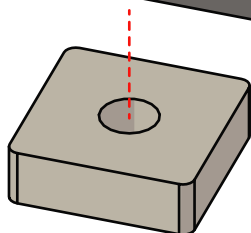
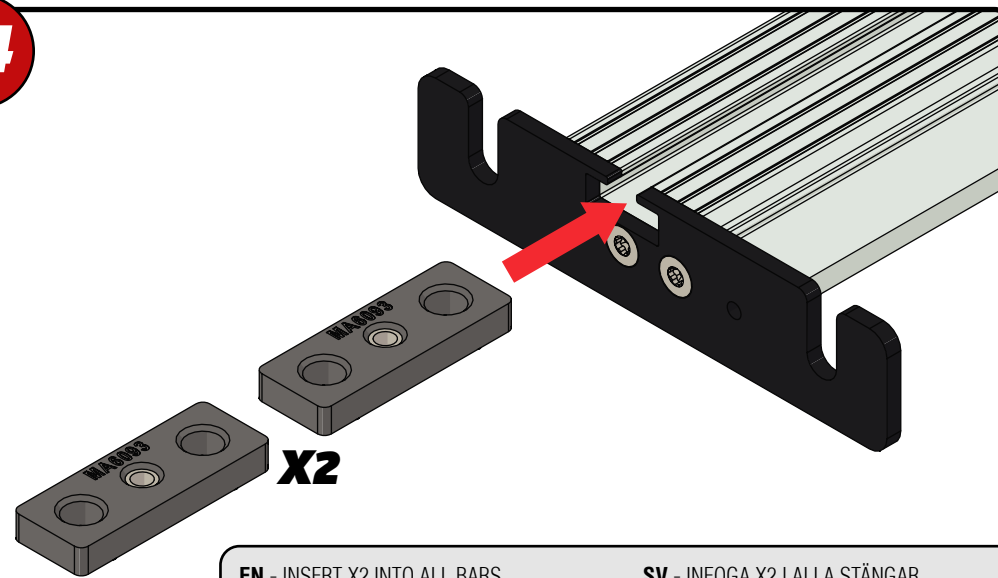
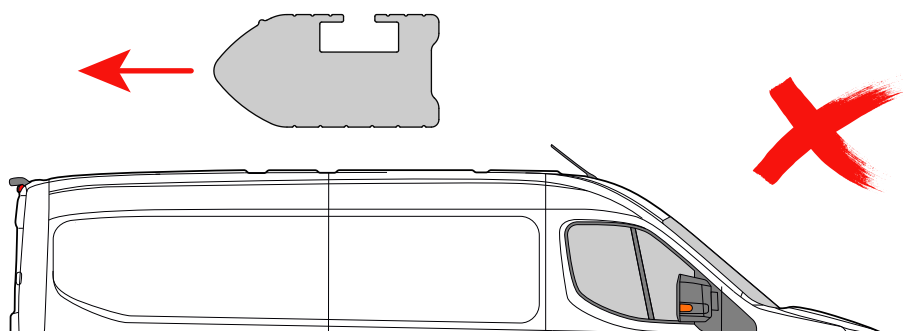
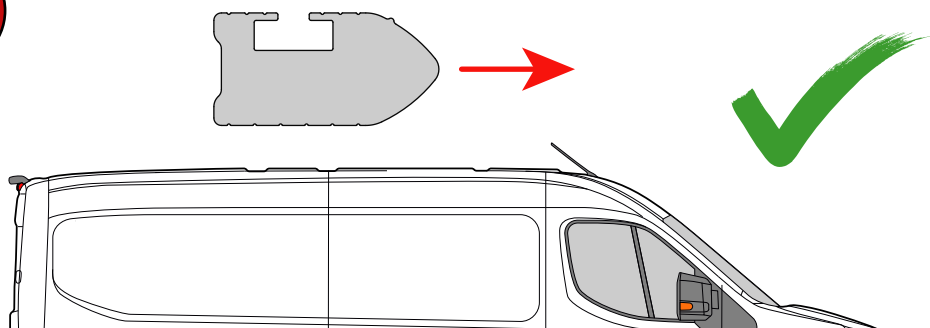
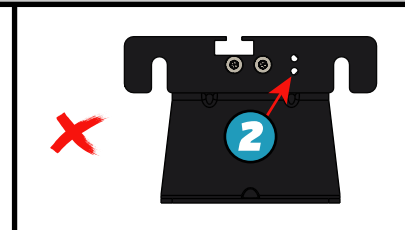
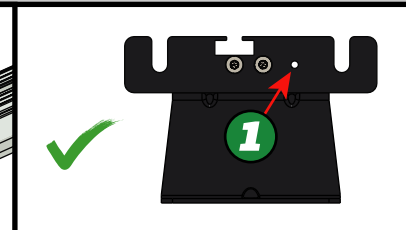
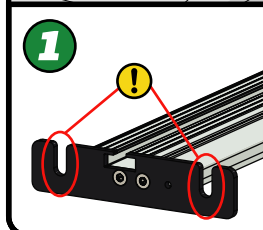
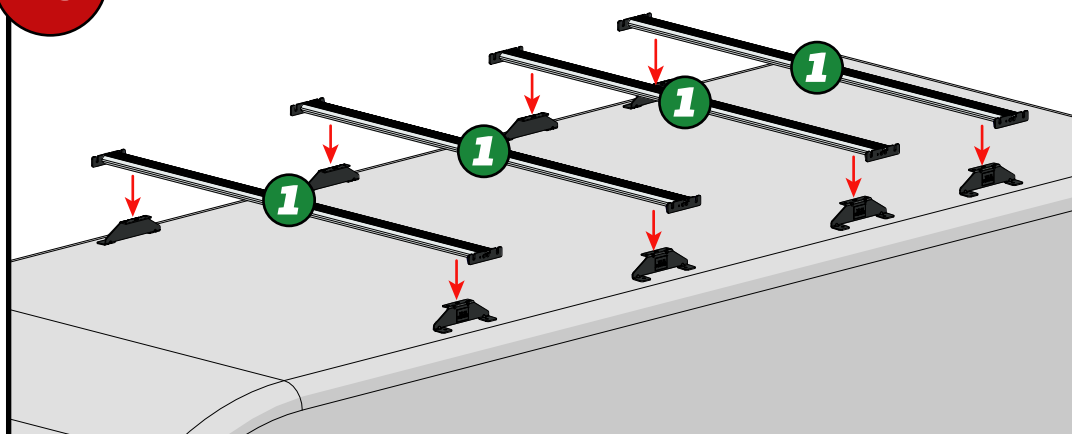


10**X16**

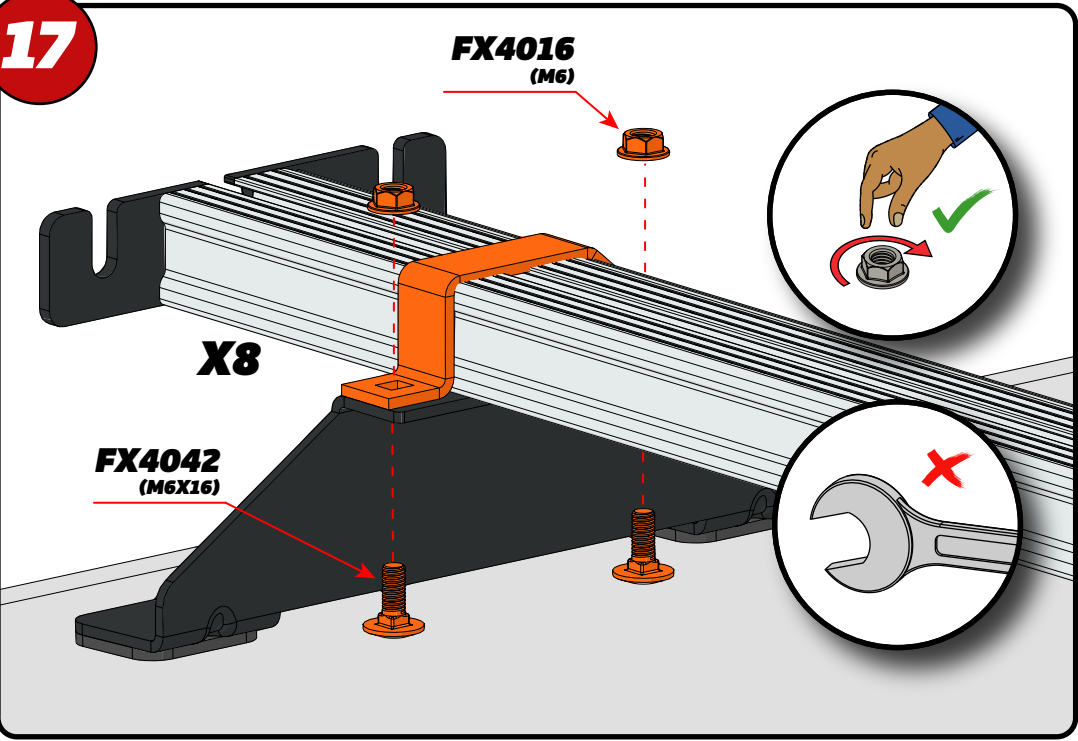
EN - STICK GASKETS TO ALL BRACKETS
 DE - KLEBEN SIE DIE DICHTUNG AN ALLEN HALTERUNGEN
 FR - COUSSINETS ADHÉSIFS À TOUS LES SUPPORTS
 NL - PLAK PAKKING OP ALLE BEUGELS
 ES - PEGA LAS ALMOHADILLAS A TODOS LOS SOPORTES
 IT - ADESIVI GUARNIZIONI A TUTTE LE STAFFE

SV - FÄST GUMMI PÅ ALLA FÄSTEN
 DA - KLÆB GUMMI PÅ ALLE BESLAG
 NO - PLIST GUMMI PÅ ALLE BRAKKETTER
 PL - NAKLEJ USZCZELKI DO WSZYSTKICH WSPORNIKÓW
 CS - PRILEPTE TĚSNĚNÍ NA VŠECHNY DRŽÁKY

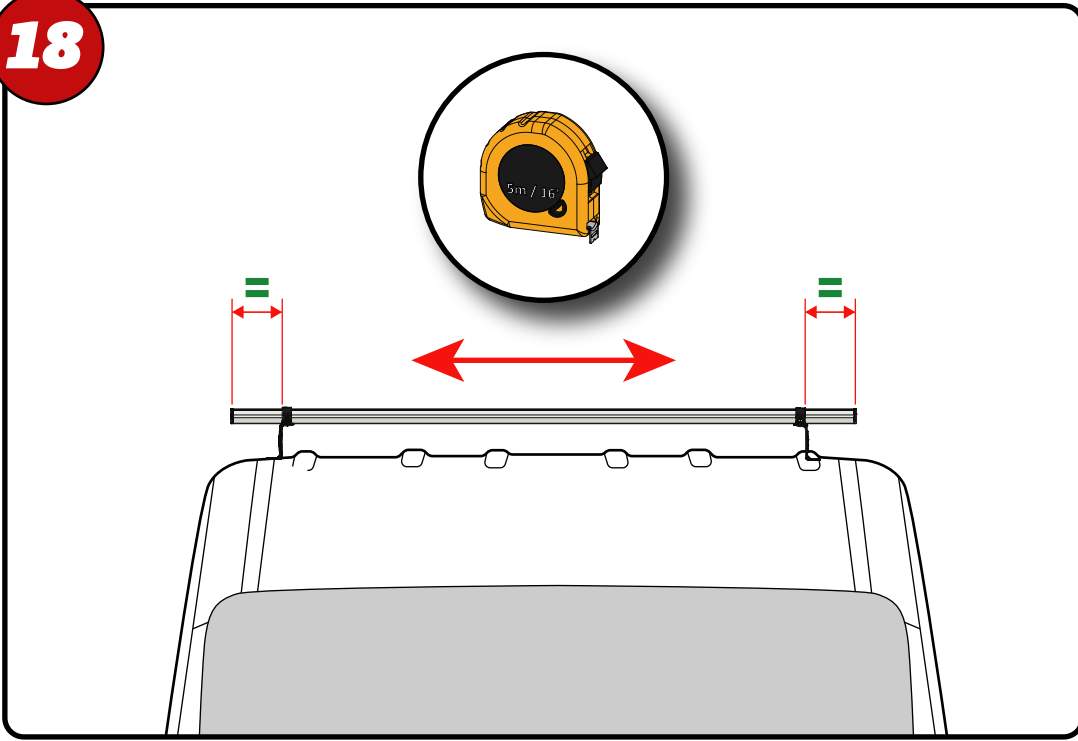
11**12****FX4028**
(M8X25)**X8****FX4011**
(M8)**FX4014****X8****FX4011**
(M8)

13**X16****14****EN** - INSERT X2 INTO ALL BARS**DE** - X2 IN ALLE STANGEN EINFÜGEN**FR** - INSÉRER X2 DANS TOUTES LES BARRES**NL** - PLAATS X2 IN ALLE BARS**ES** - INSERTAR X2 EN TODAS LAS BARRAS**IT** - INSERIRE X2 IN TUTTE LE BARRE**SV** - INFOGA X2 I ALLA STÄNGAR**DA** - INDSÆT X2 I ALLE STÆNGER**NO** - SETTE X2 I ALLE STENGENE**PL** - WSTAW X2 DO WSZYSTKICH PRĘTÓW**CS** - VLOŽTE X2 DO VŠECH TYČÍ**15****16**

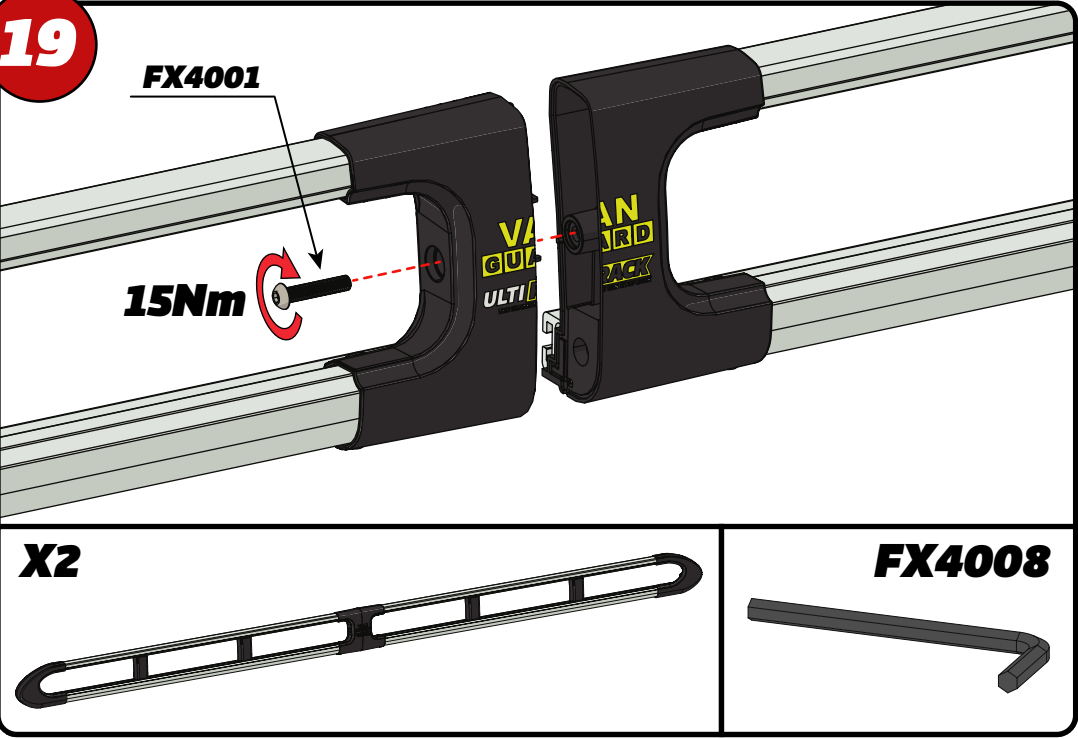
17



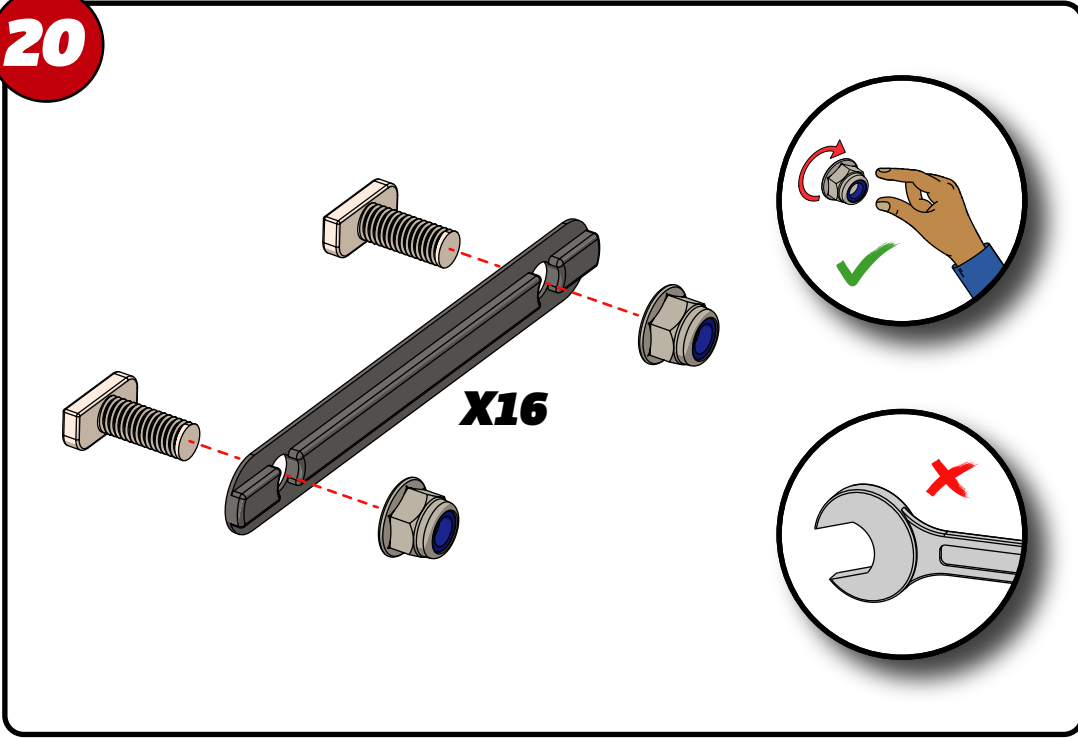
18



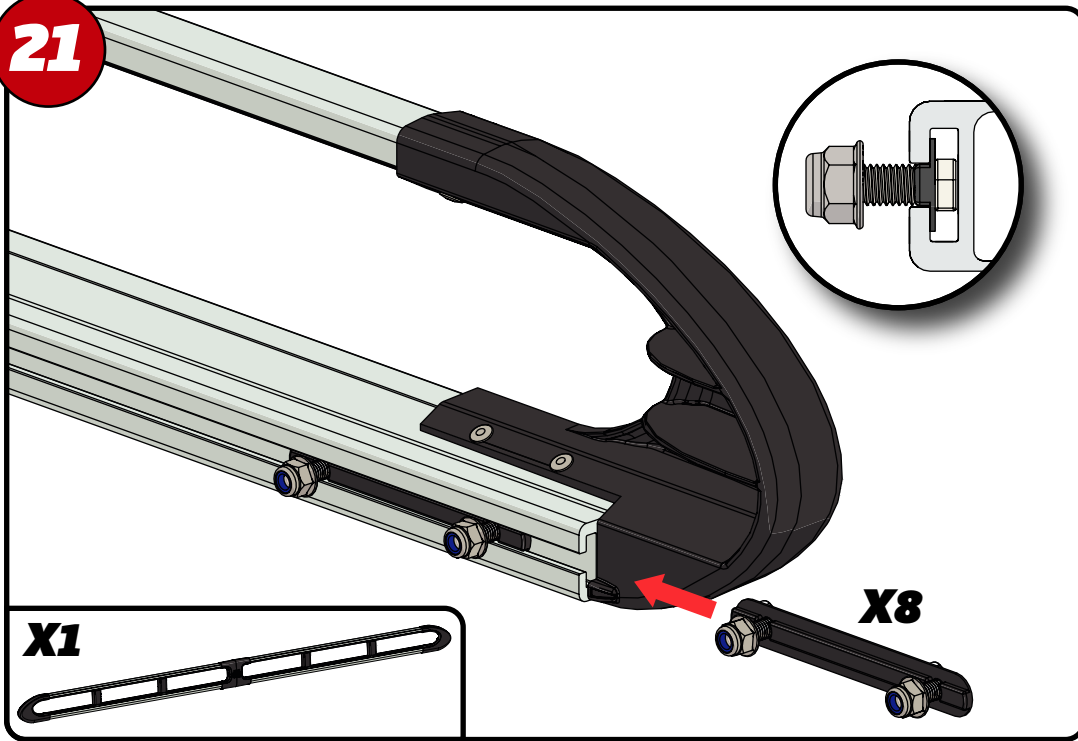
19



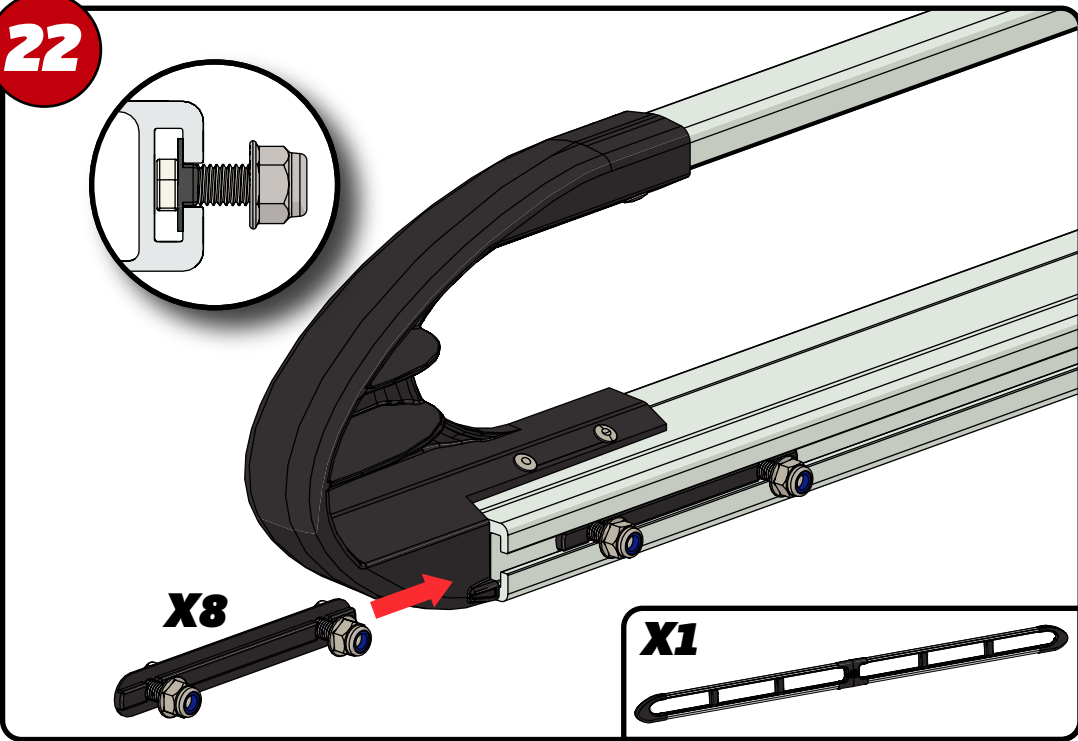
20



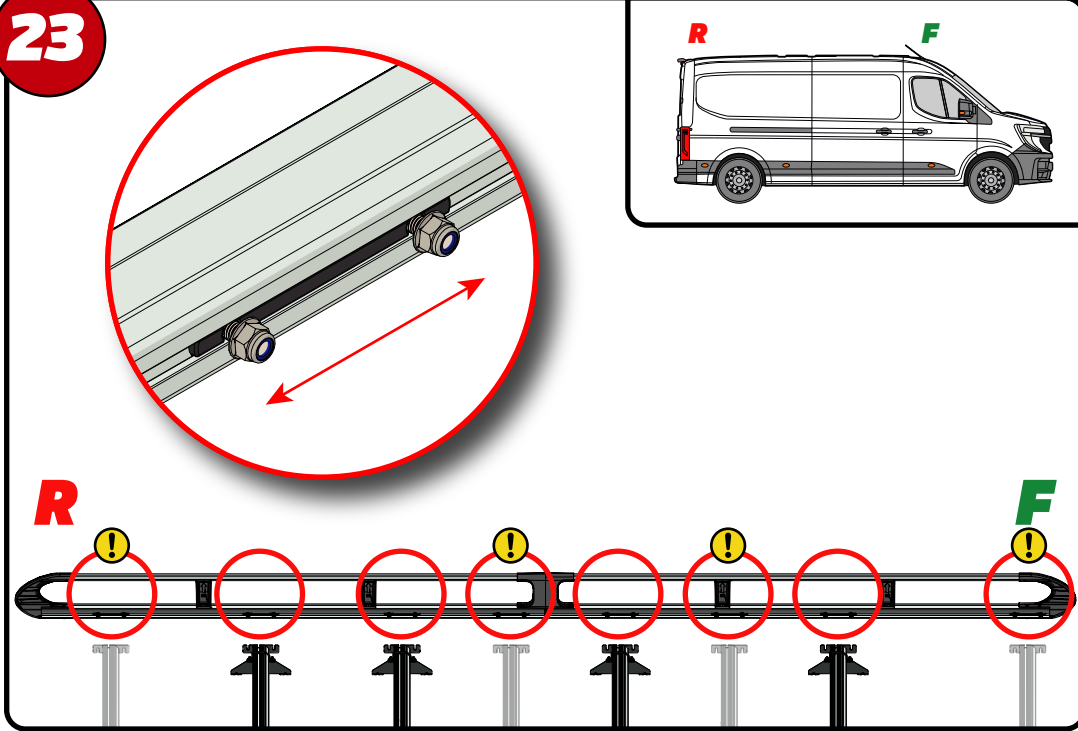
21



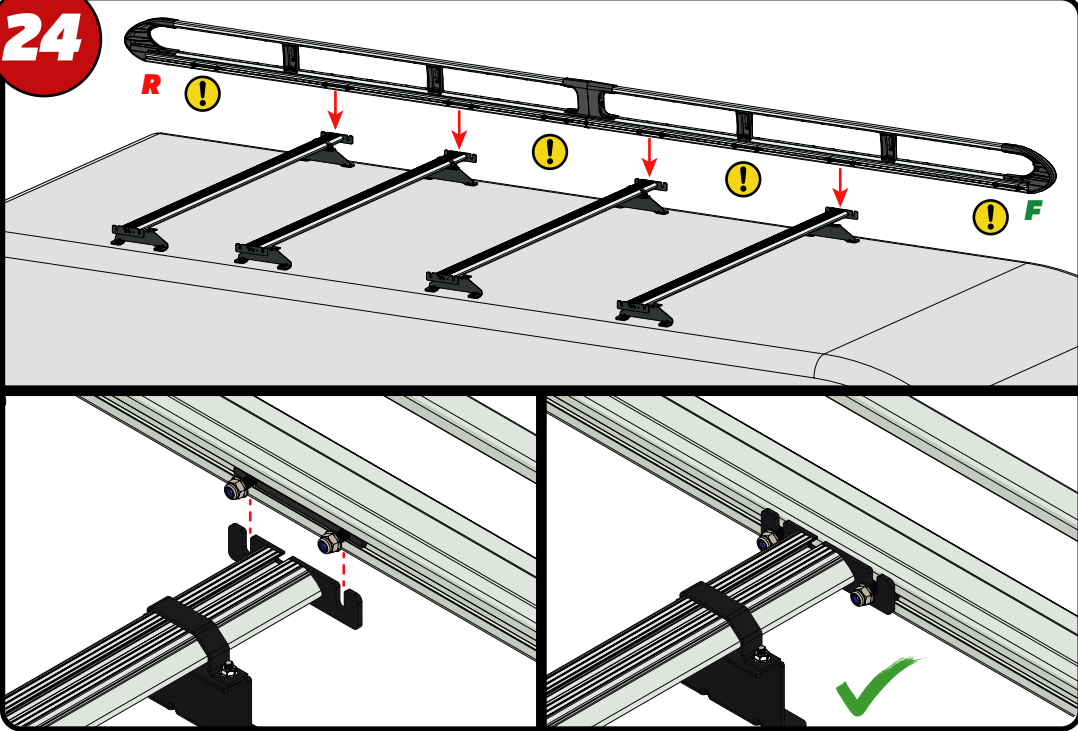
22



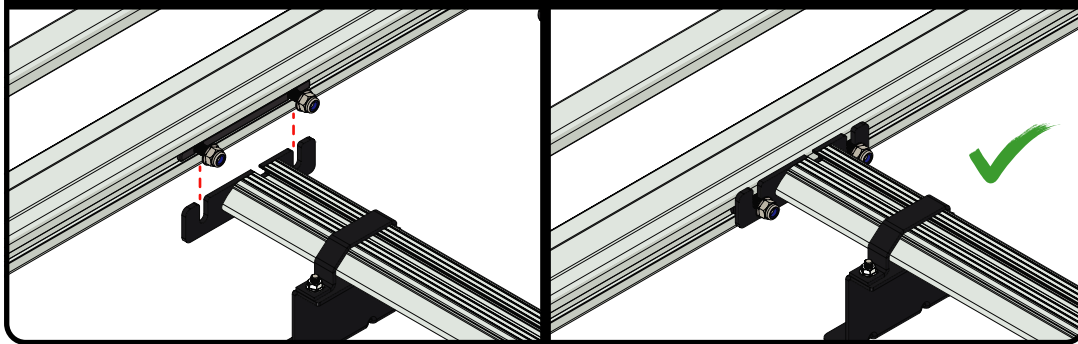
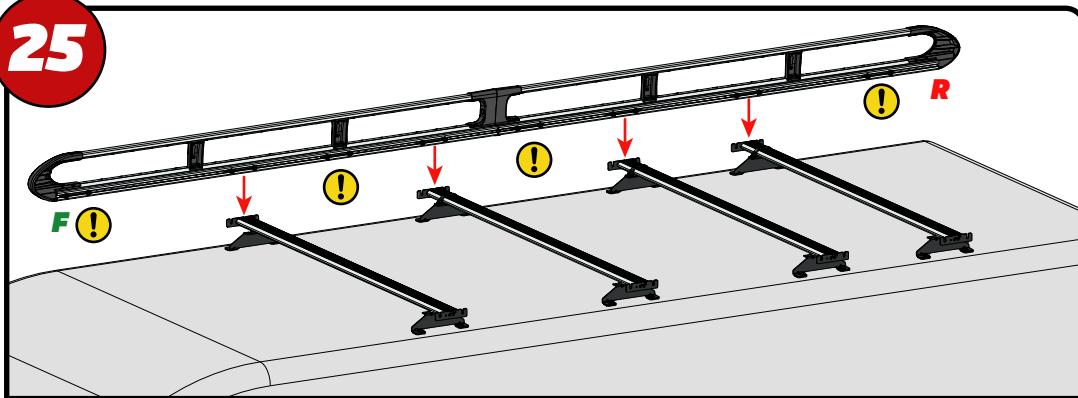
23



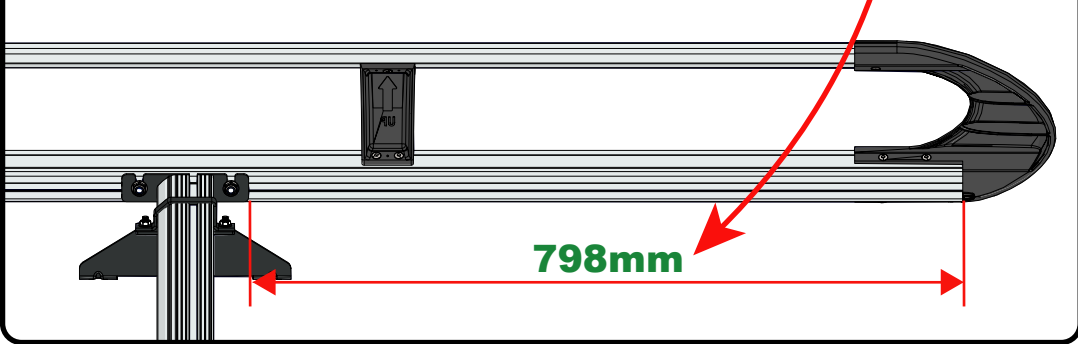
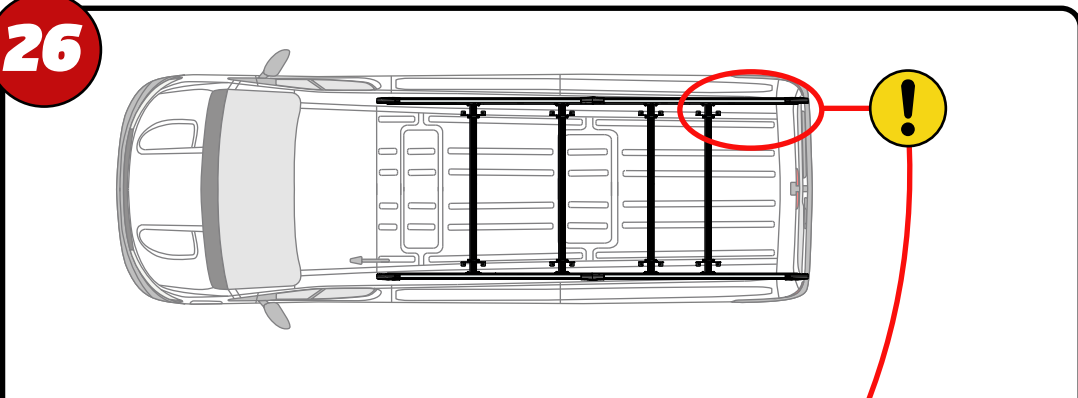
24



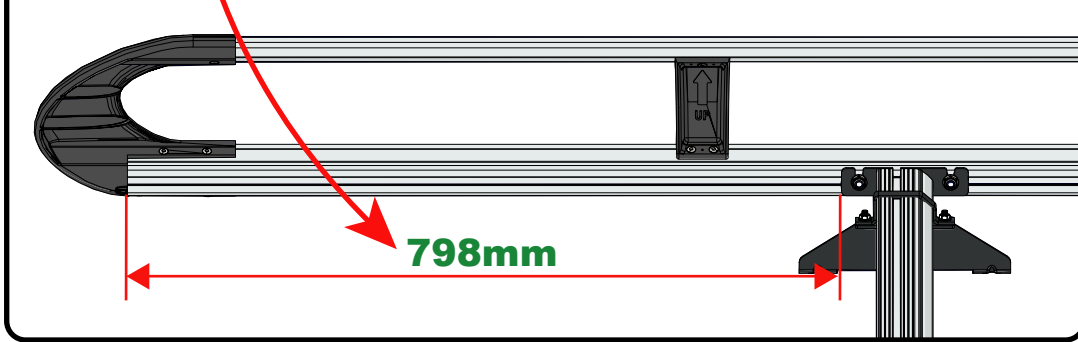
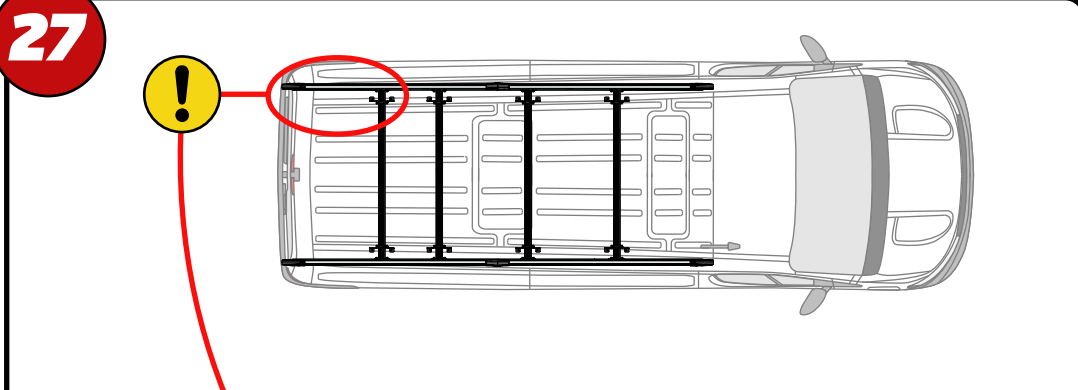
25



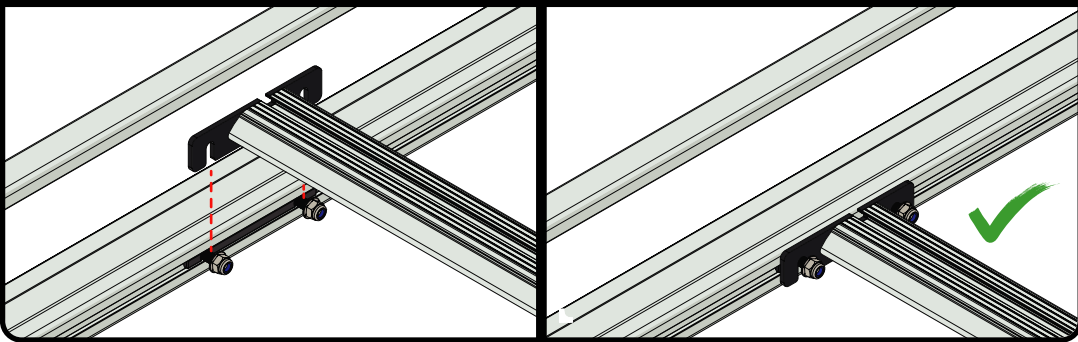
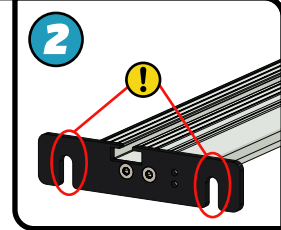
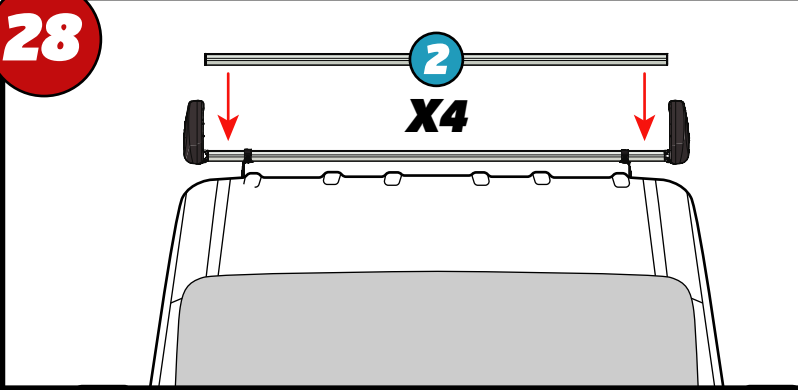
26



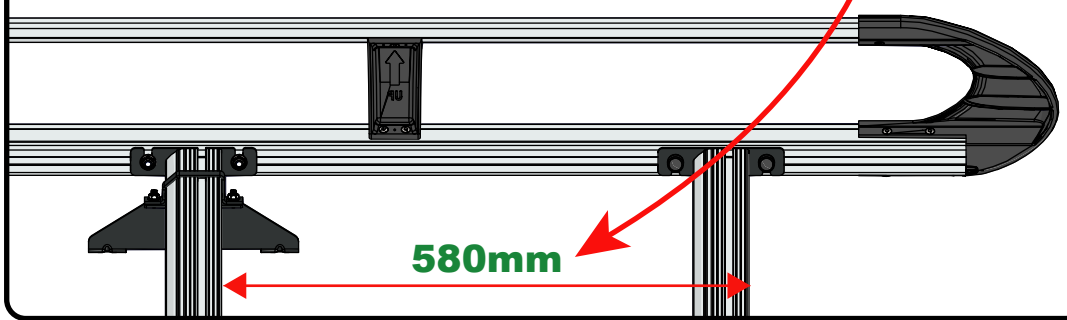
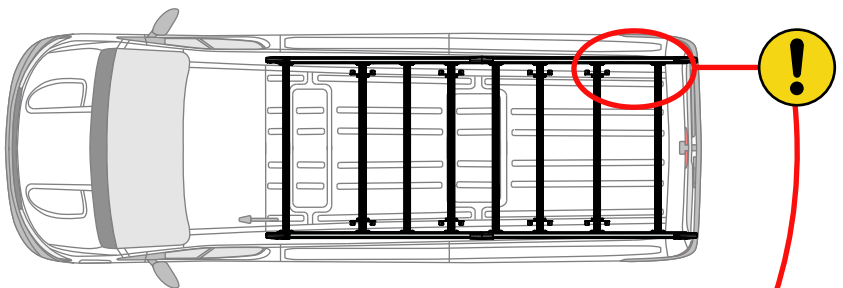
27



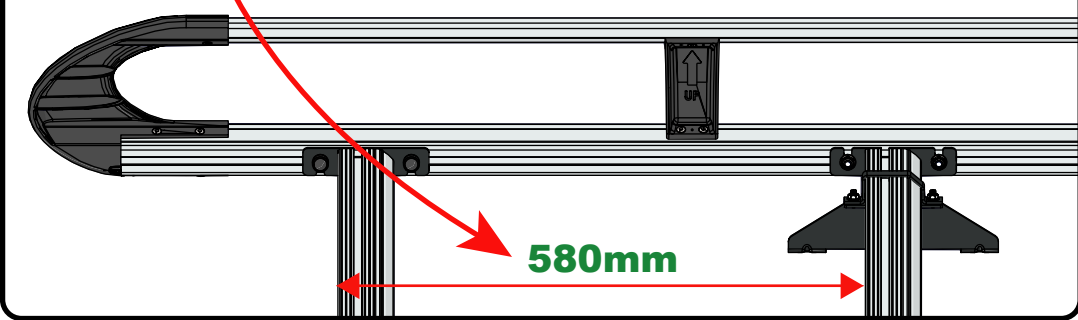
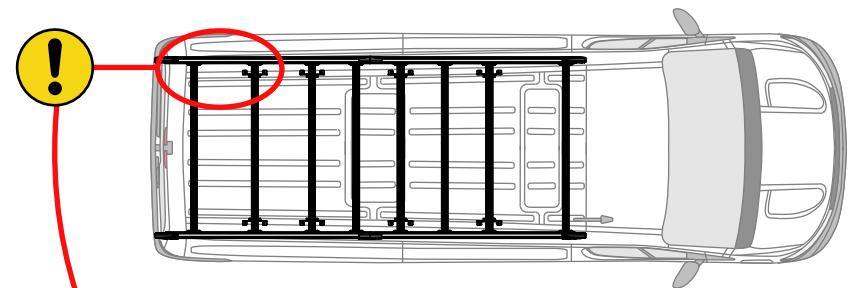
28



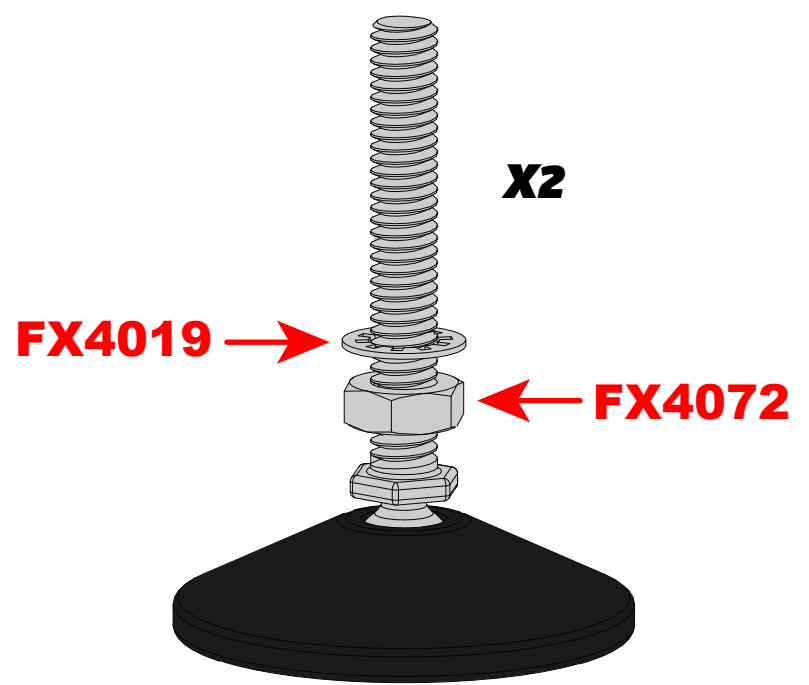
29



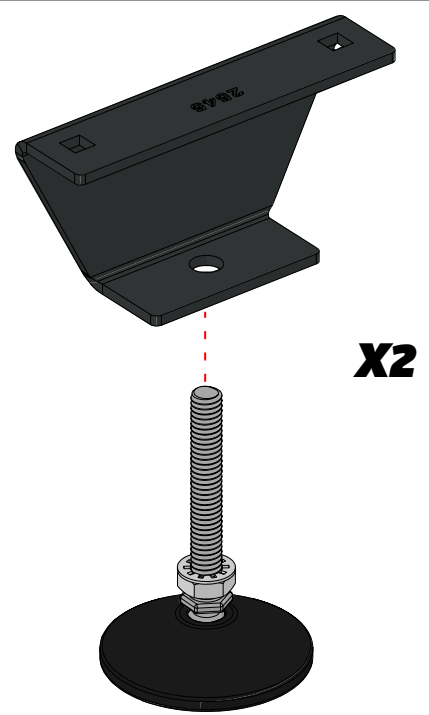
30



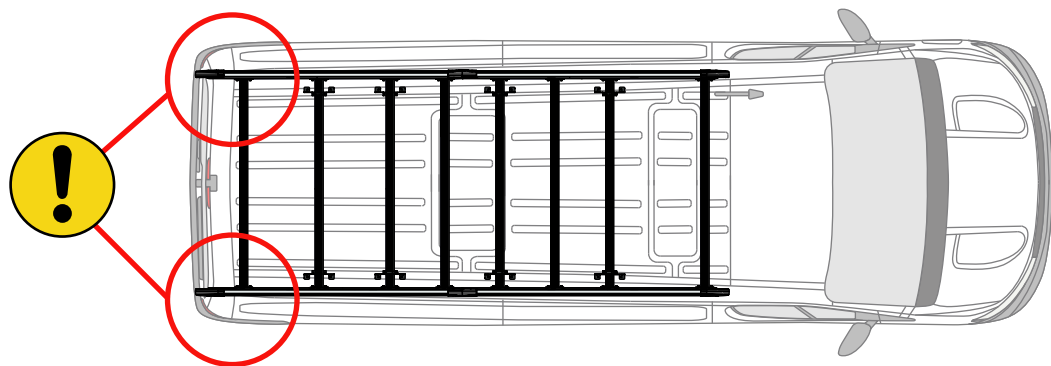
31



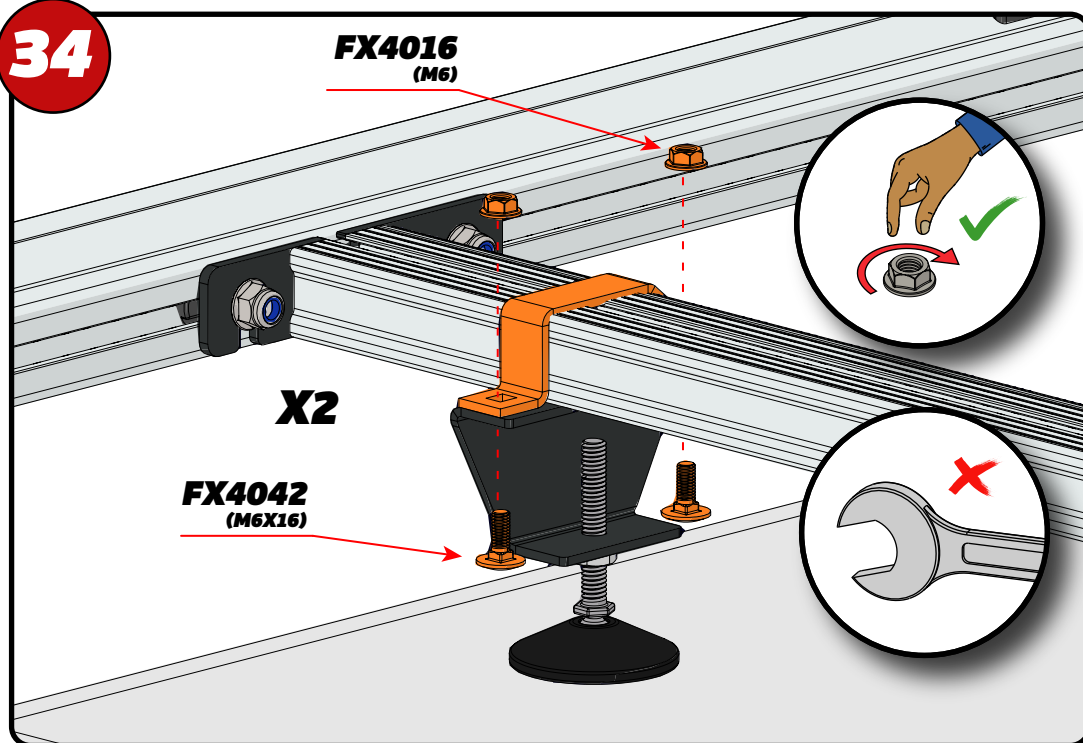
32



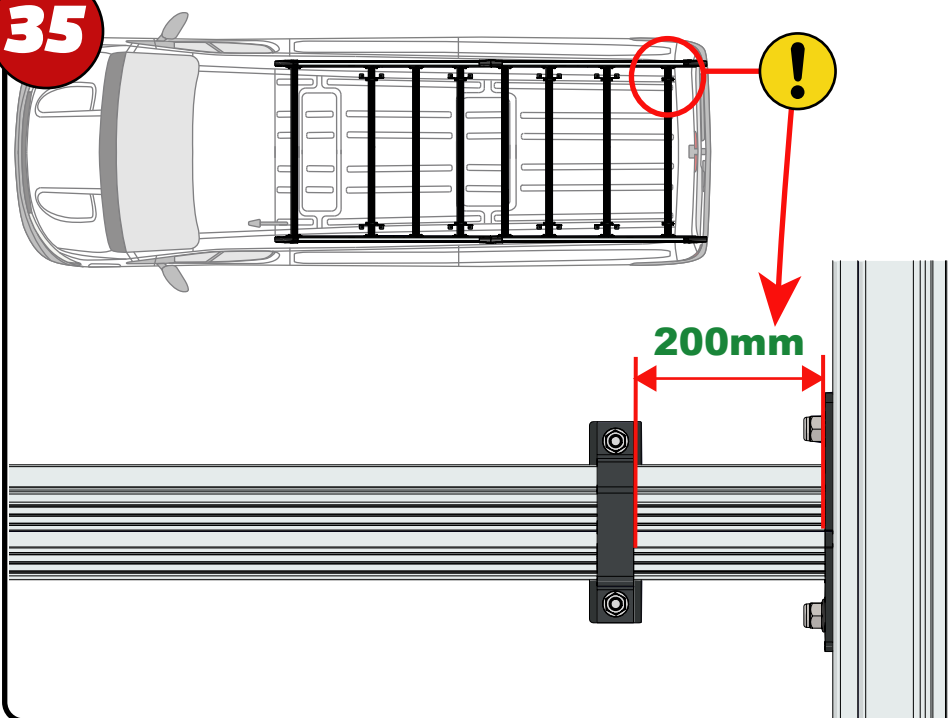
33



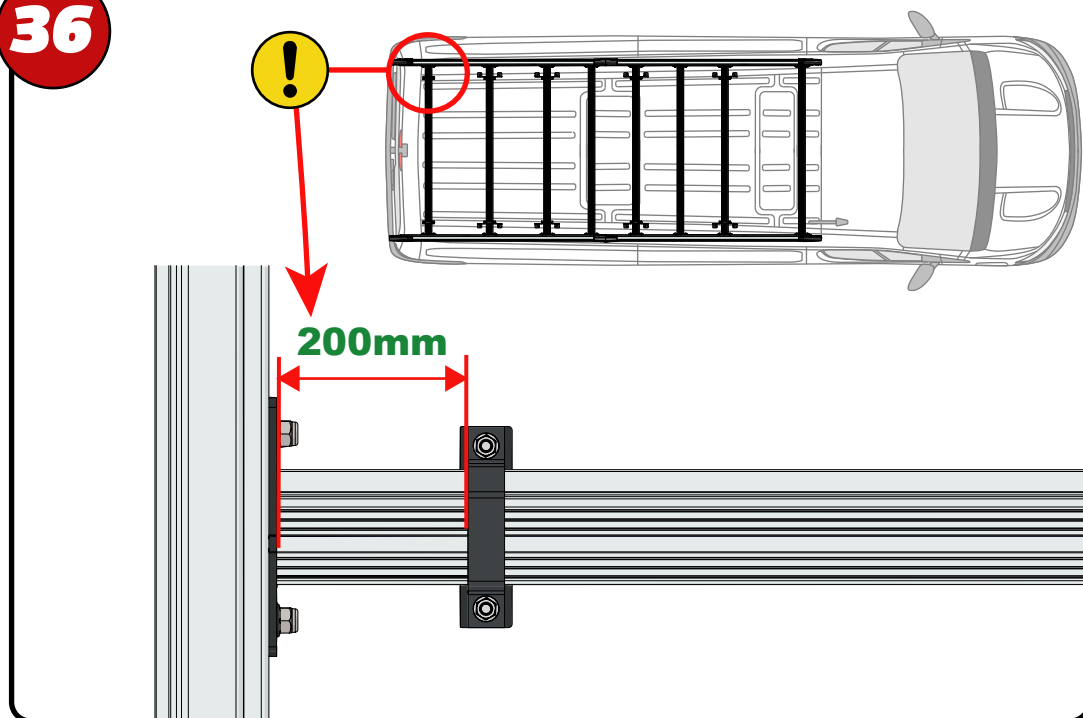
34

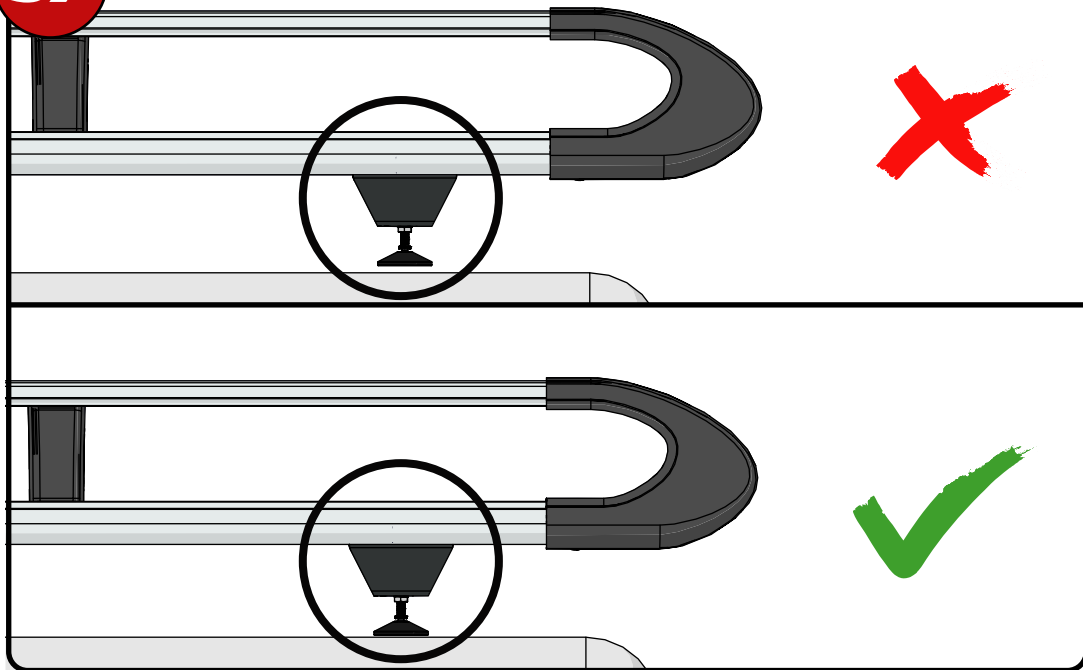
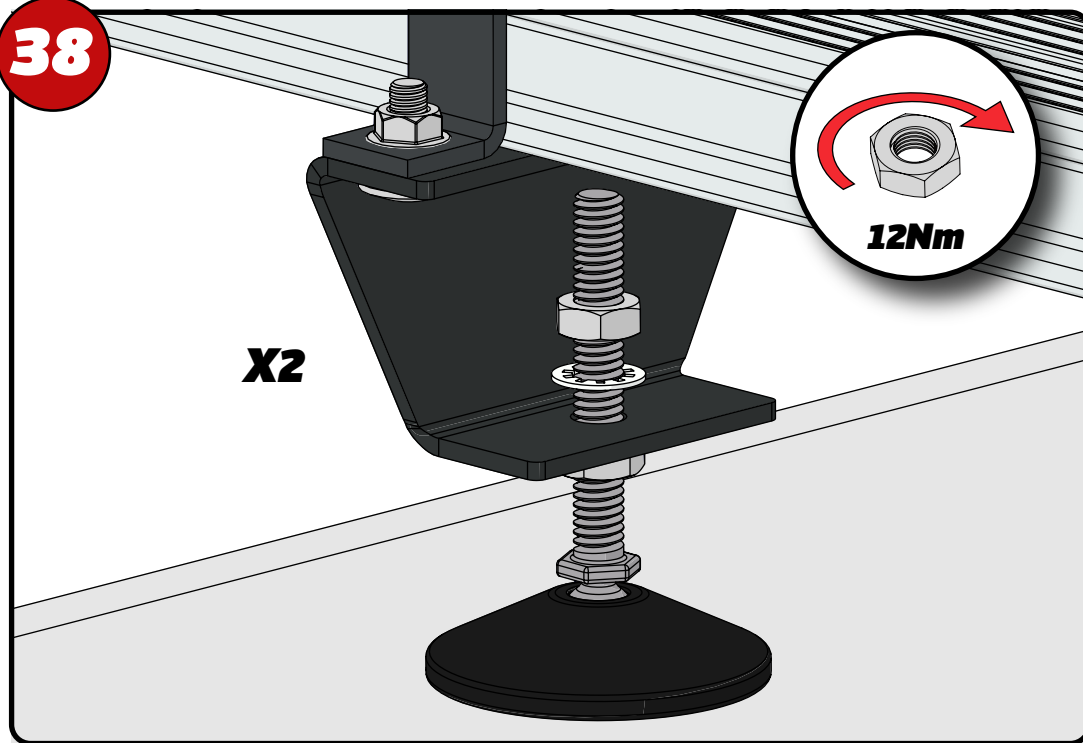
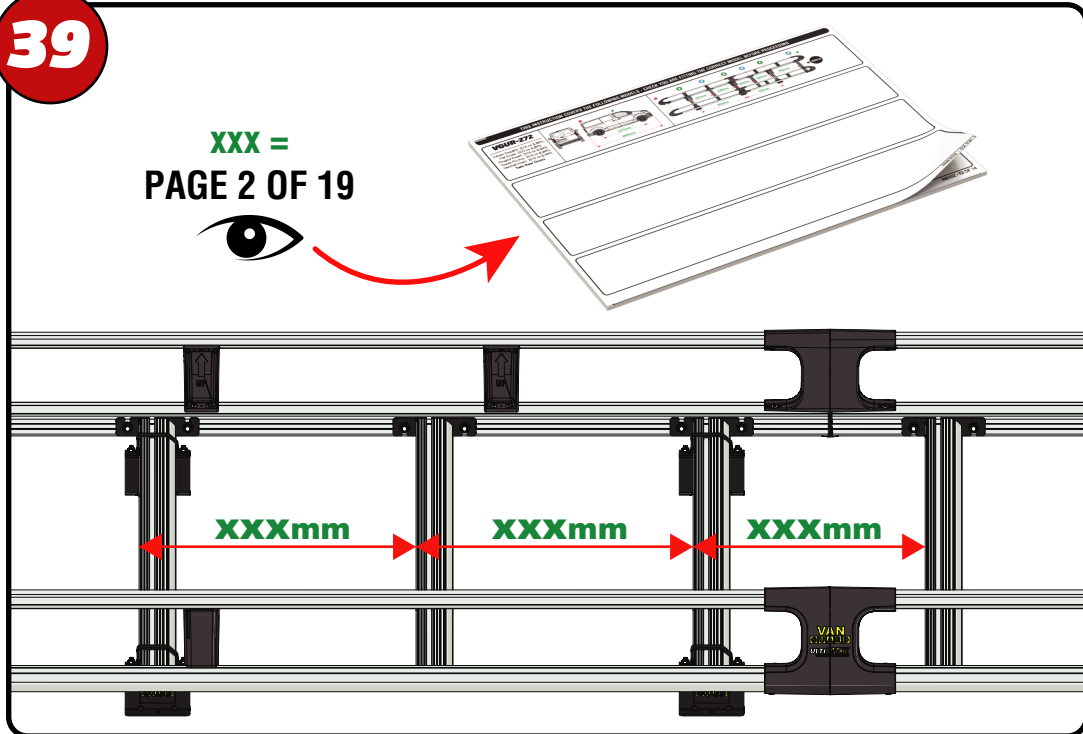
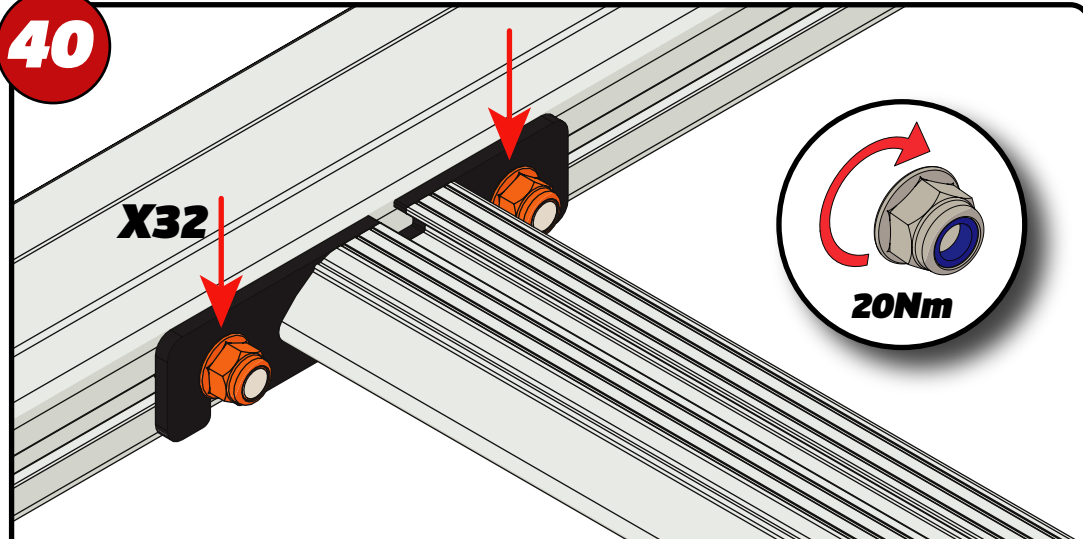


35



36

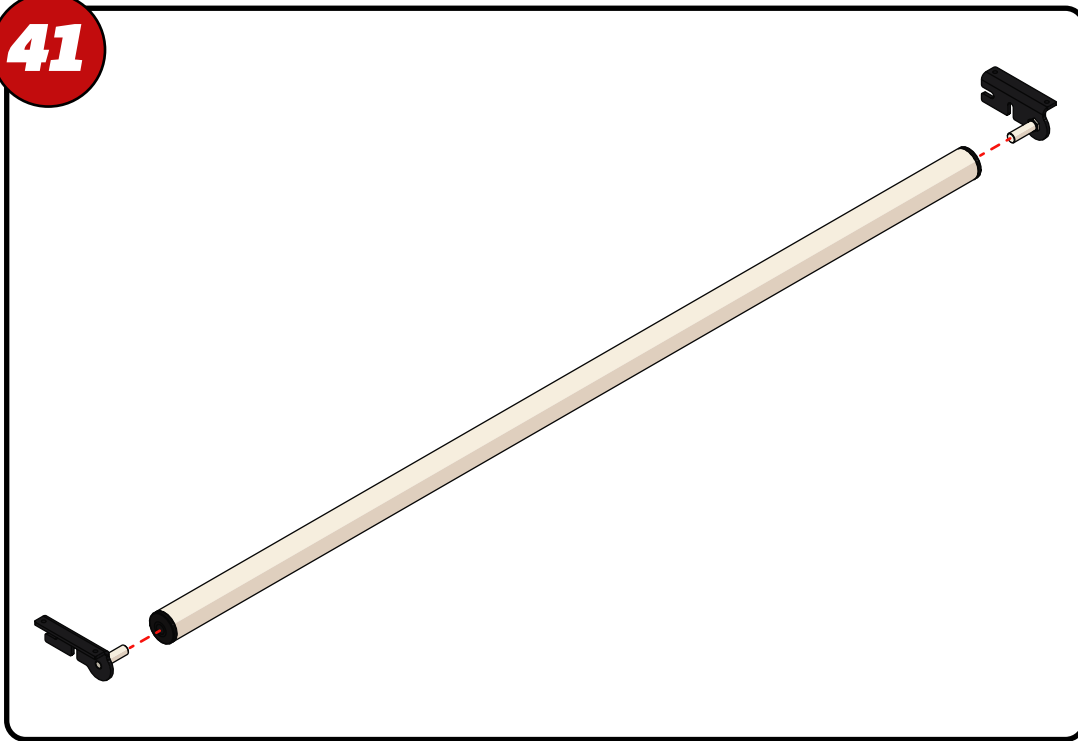


37**38****39****40**

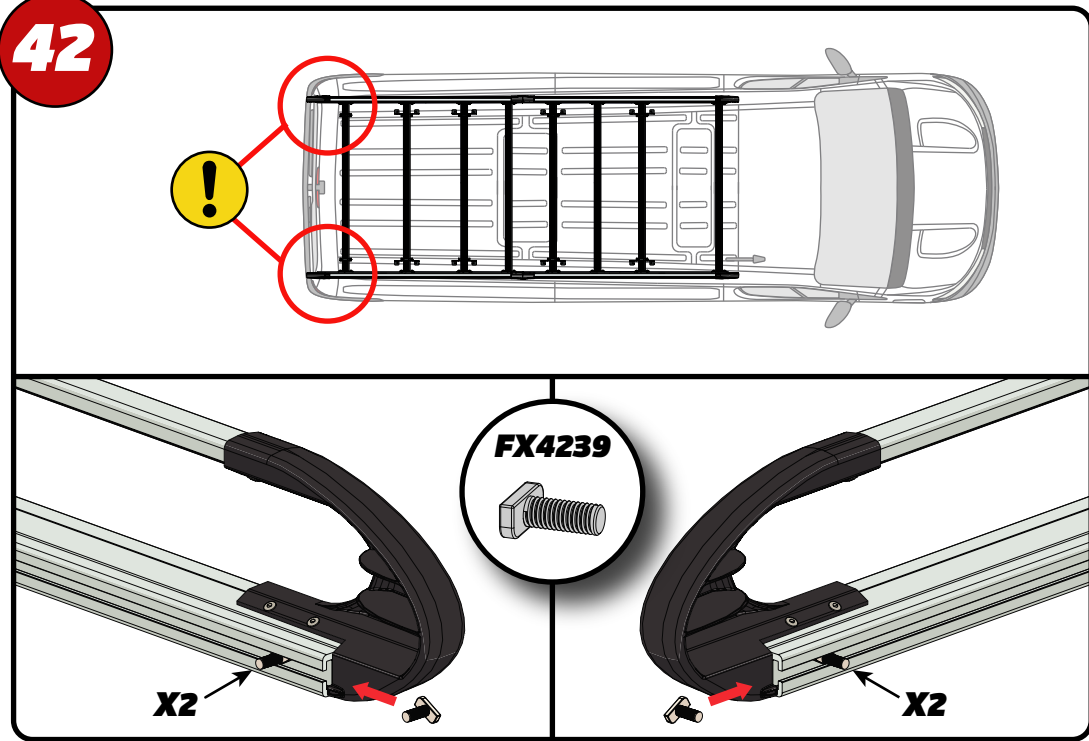
EN - TIGHTEN ALL OF THE CROSS BARS
 DE - ALLE QUERSTANGEN FESTZIEHEN
 FR - SERREZ TOUTES LES BARRES TRANSVERSALES
 NL - DRAAI ALLE DWARSBALK VAN HET DAK AAN
 ES - APRIETE TODAS LAS BARRAS TRANSVERSALES
 IT - STRINGERE TUTTE LE BARRE TRASVERSALI

SV - SKRU UPP ALLA KORSSTANGAR
 DA - SKRU ALLE TAGBØJLER OP
 NO - SKRU OPP ALLE TVERRSTENGER
 PL - DOKRĘCIĆ WSZYSTKIE POPRZECZKI
 CS - VŠECHNY PŘÍČNÉ TYČE SEŠROUJTE

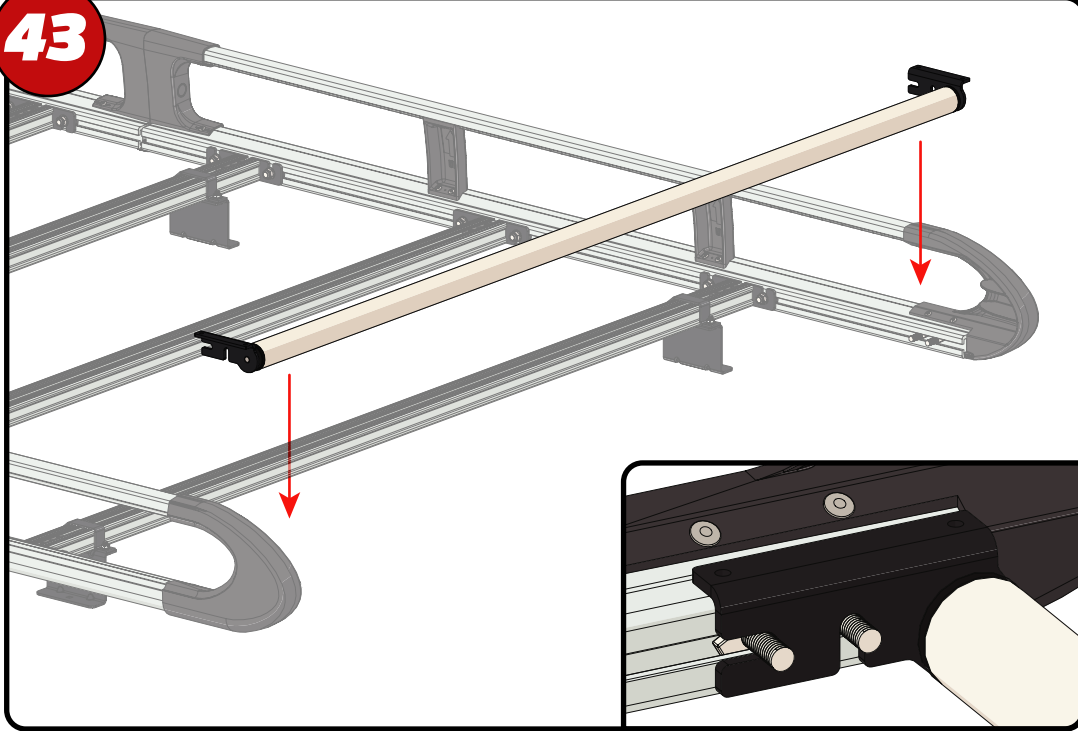
41



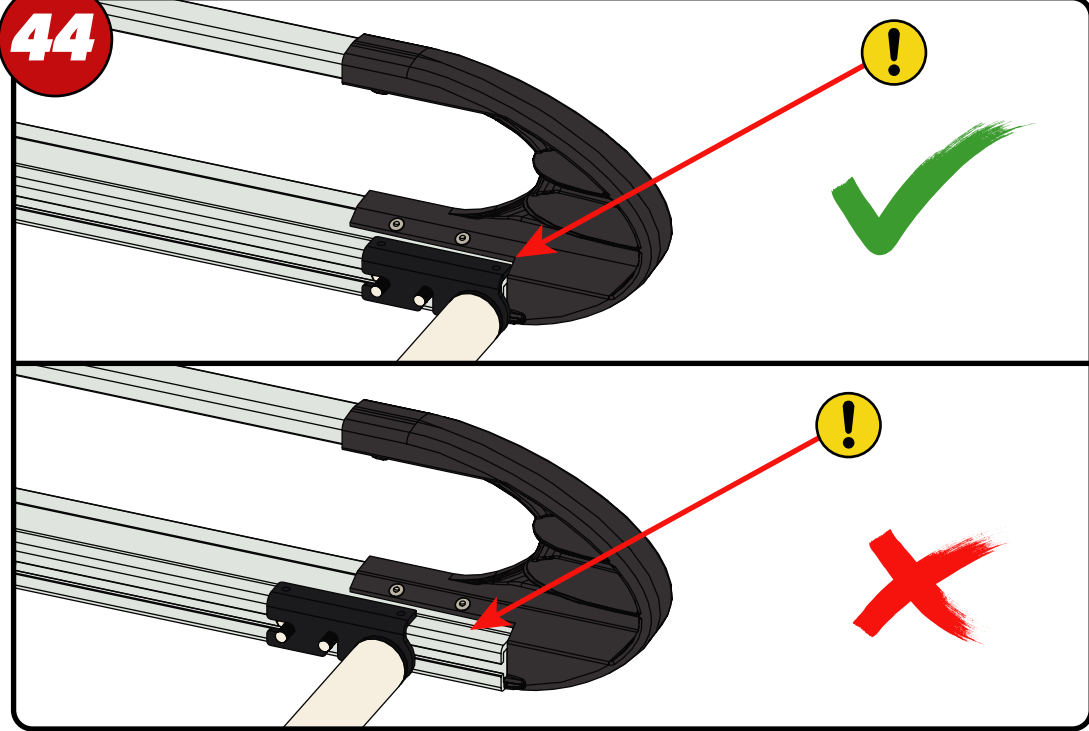
42



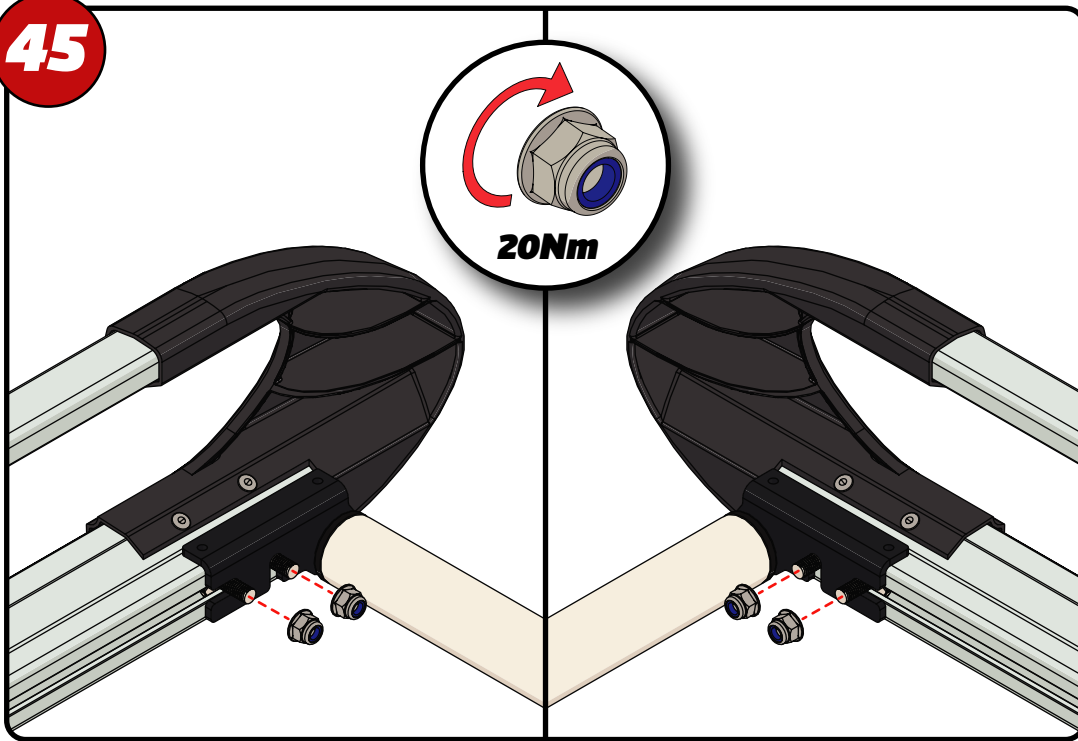
43



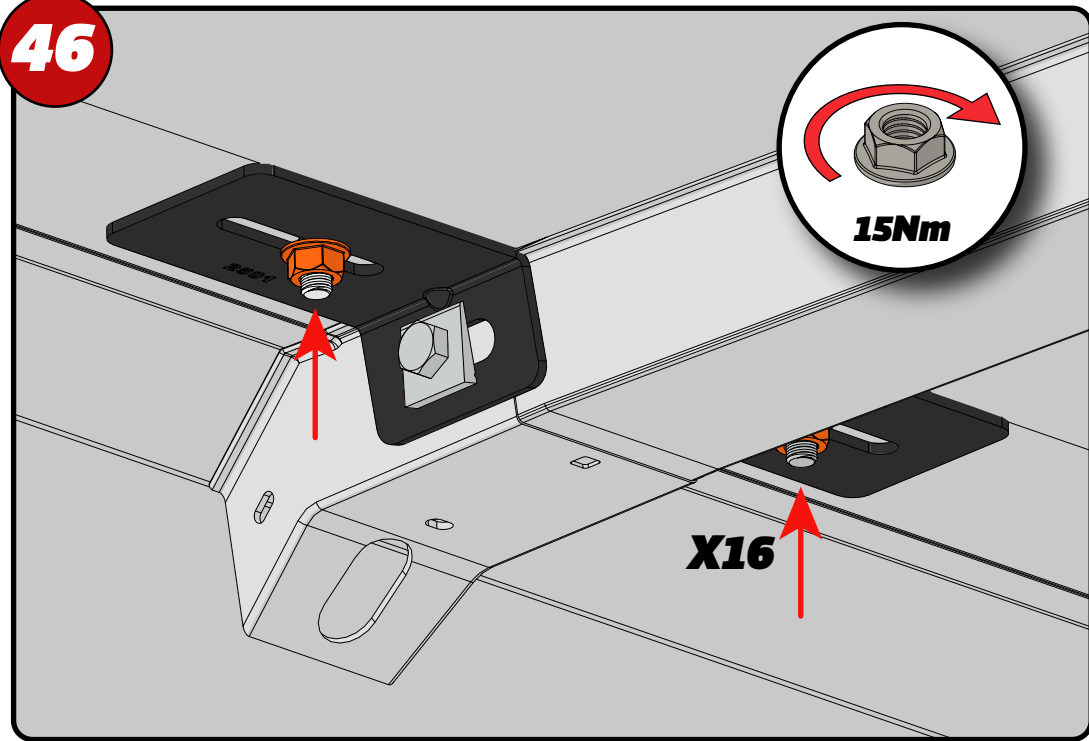
44



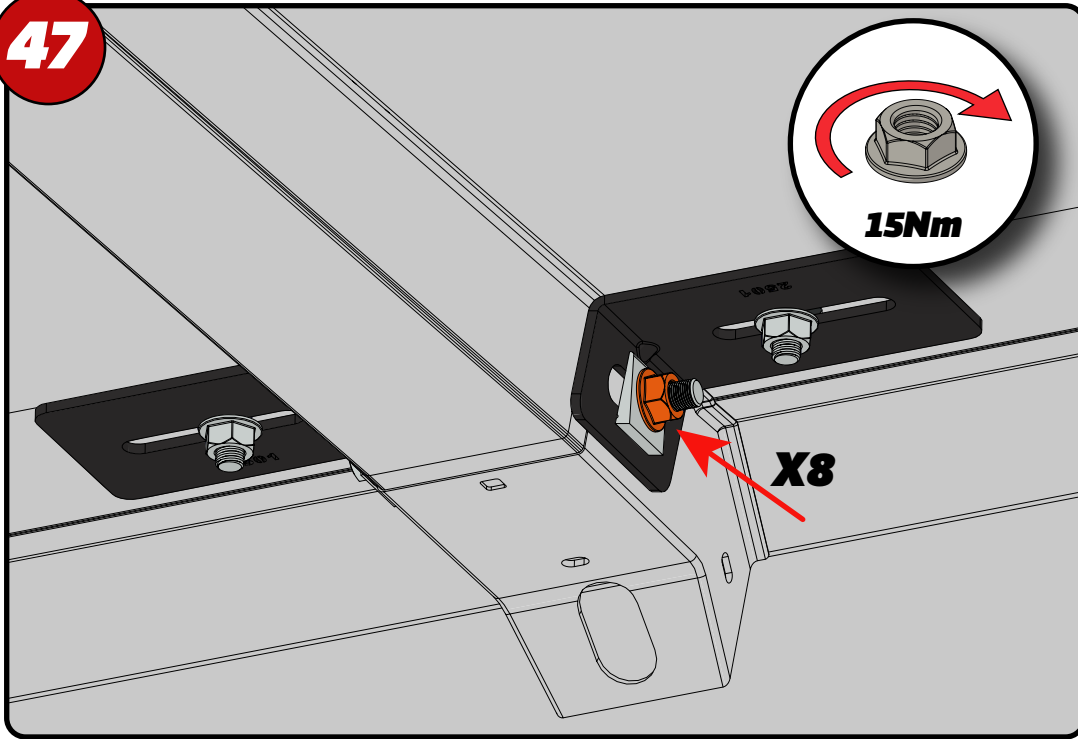
45



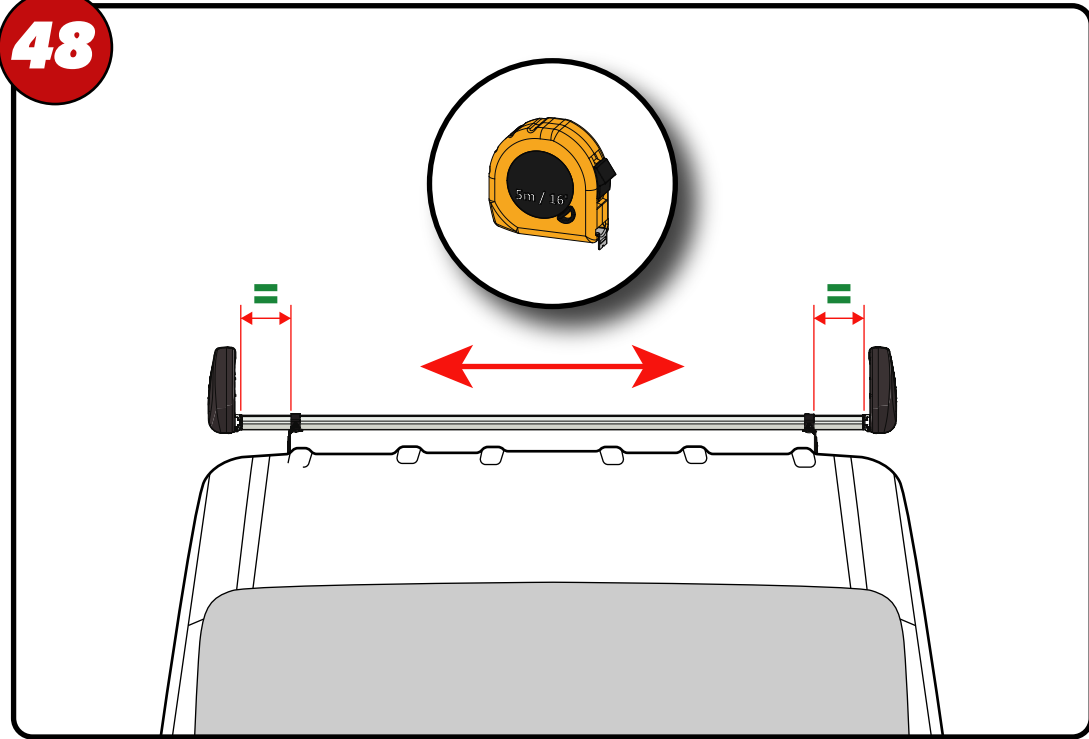
46



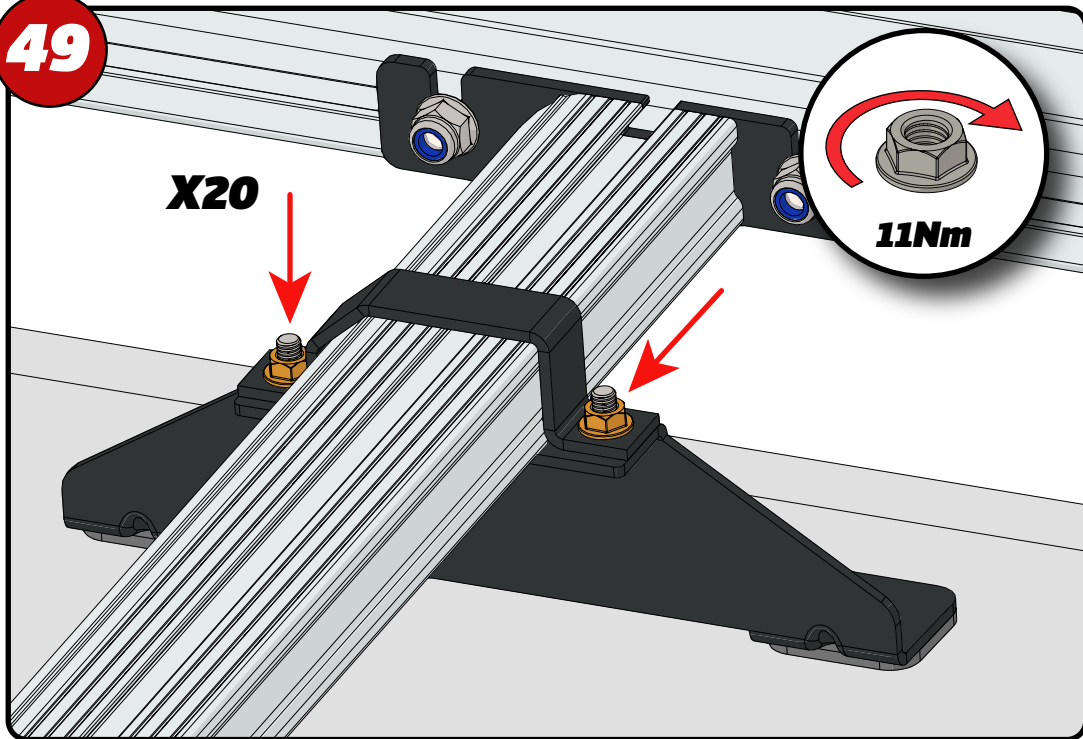
47



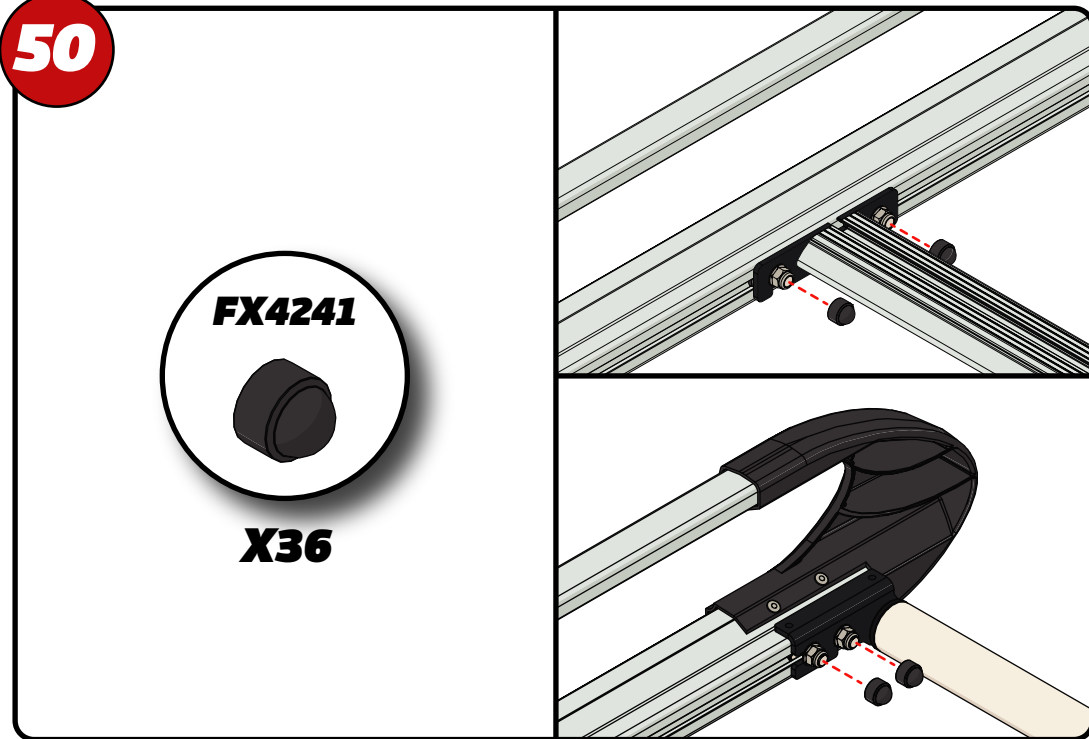
48



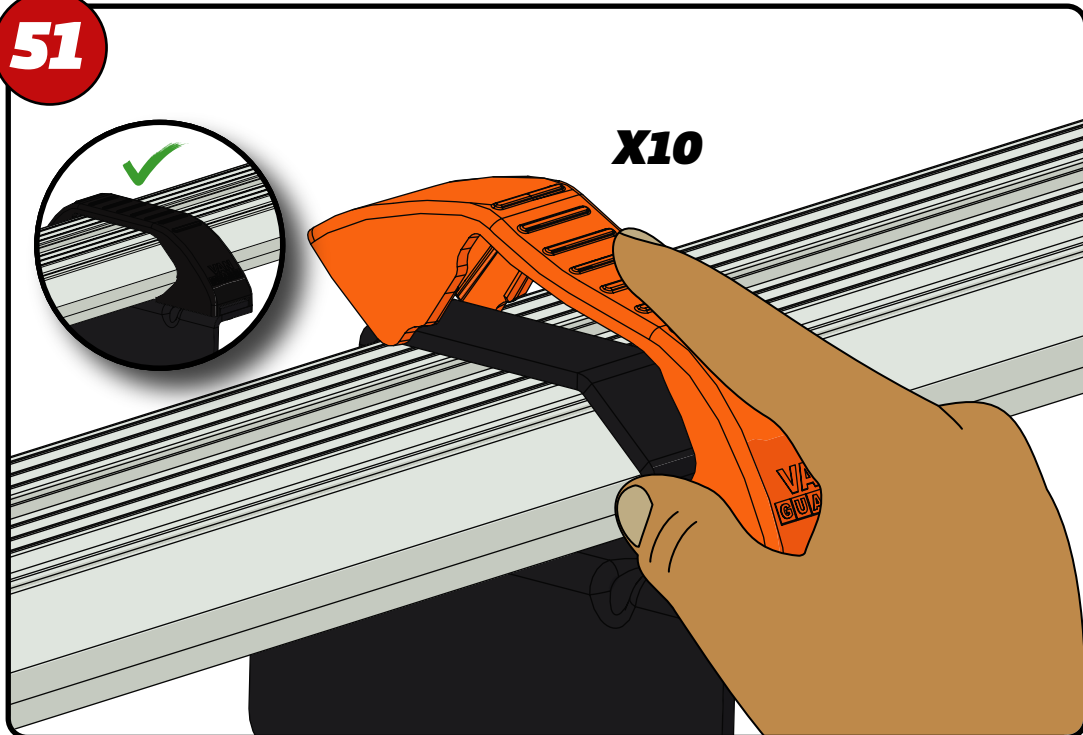
49



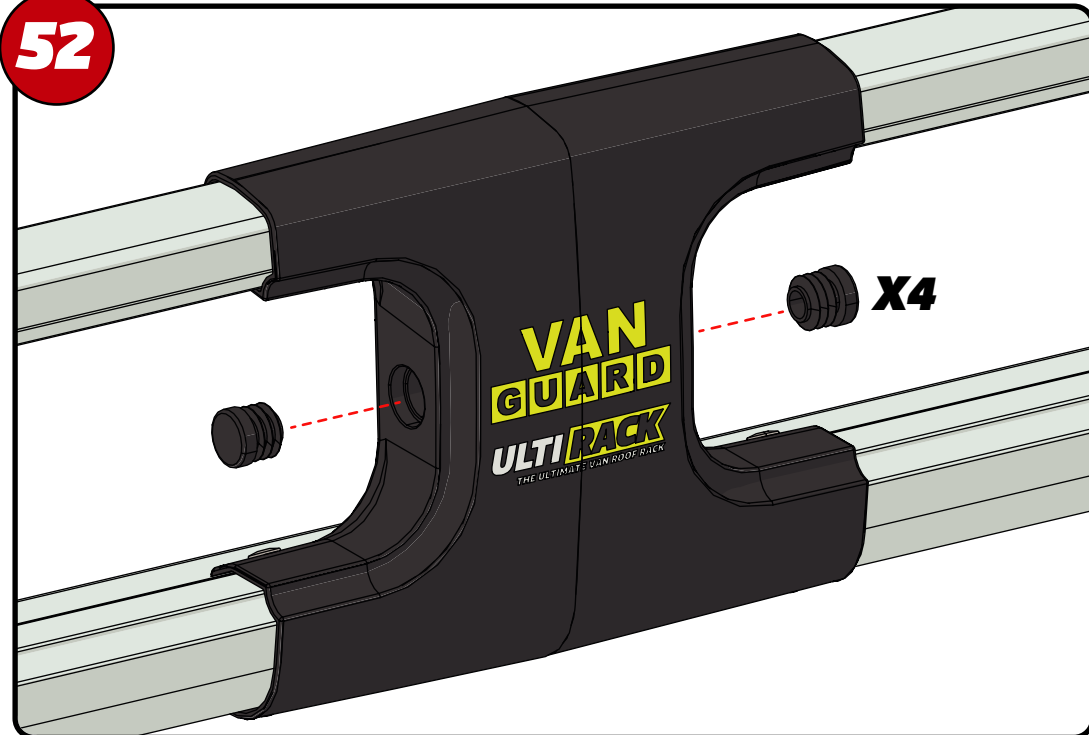
50



51



52



53

