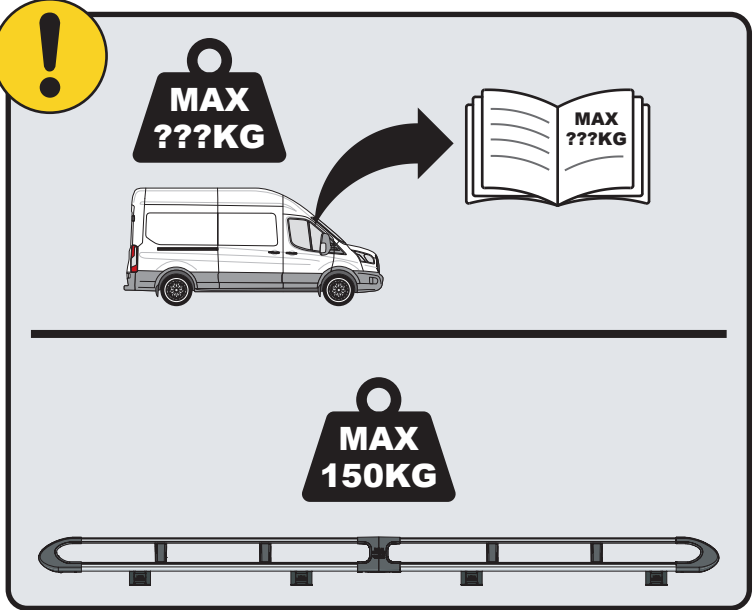
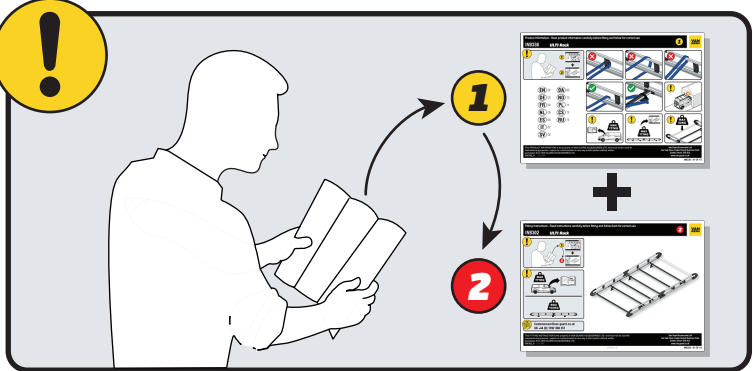


IN8453

ULTI Rack+



 Customercare@van-guard.co.uk
UK +44 (0) 1392 368 351



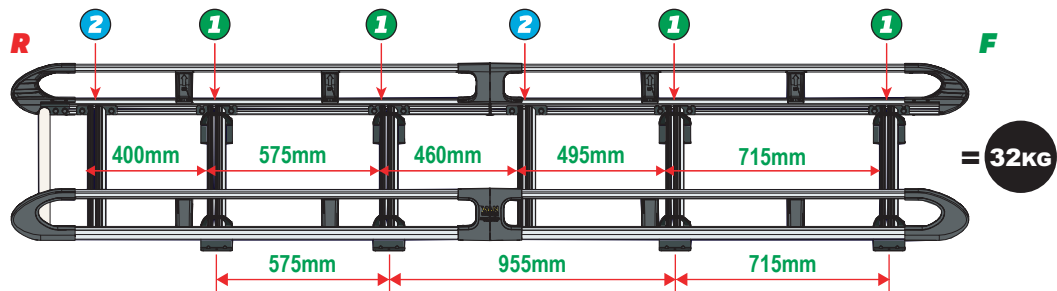
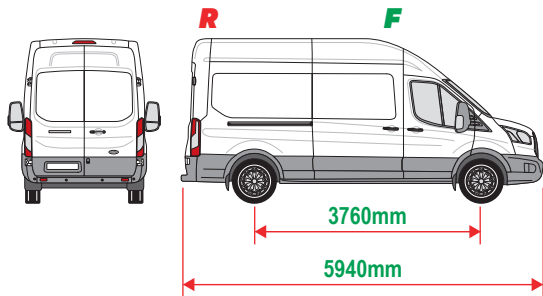
This FITTING INSTRUCTION is the property of VAN GUARD ACCESSORIES LTD. and must not be used for manufacturing purposes, copied nor communicated in any way to third parties without written permission from VAN GUARD ACCESSORIES LTD.
IN8453_A (CN:NR)

Van Guard Accessories Ltd
Fair Oak Close, Exeter Airport Business Park,
Exeter, Devon, EX5 2UL
www.van-guard.co.uk

THIS INSTRUCTION COVERS THE FOLLOWING MODELS - CHECK YOU ARE FITTING THE CORRECT MODEL BEFORE PROCEEDING

VGUR-299

Maxus Deliver 9: 2020 on
L3H3 (LXH)
Twin Rear Doors



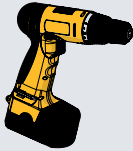
SUPPLIED COMPONENTS - CHECK ALL PARTS ARE PRESENT AND CORRECT BEFORE PROCEEDING (1 OF 2)

TOOLS REQUIRED

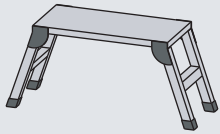
10MM X1



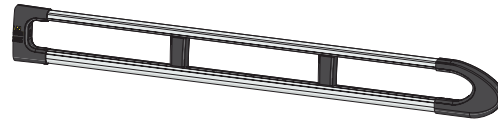
13MM X2



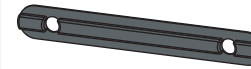
Ø4 & Ø8



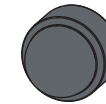
AS3541 X2
(3000 / A)



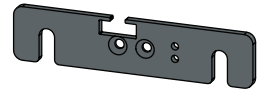
MA6118 X12



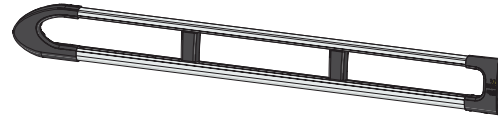
FX4241 X28



ME1622 X2



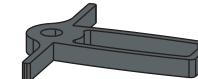
AS3540 X2
(3000 / B)



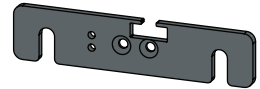
FX4008 X1



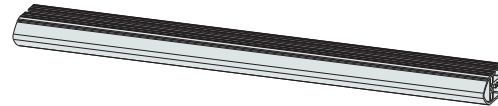
MA6145 X1



ME1623 X2



ME1628 X6
(1554mm)



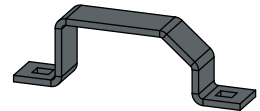
FX4001 X2
(M8X40)



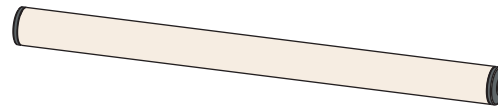
FX4235 X24
(M5X25)



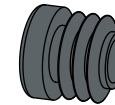
ME0203 X8



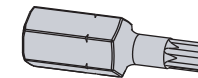
AS3160 X1
(1540mm)



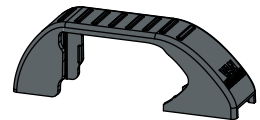
MA6007 X4



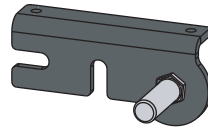
FX4248 X1
(T25)



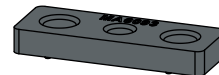
MA6065 X8



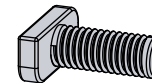
AS3590 X1



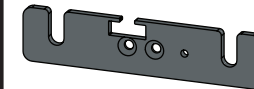
MA6093 X12



FX4239 X28
(M8X20)



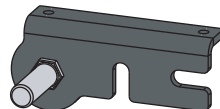
ME1620 X4



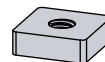
FX4016 X16
(M6)



AS3591 X1



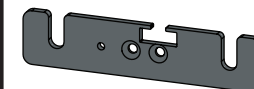
ME0316 X12



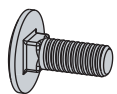
FX4240 X28
(M8)



ME1621 X4

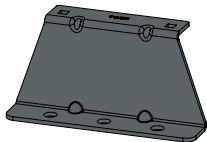


FX4042 X16
(M6X16)



SUPPLIED COMPONENTS - CHECK ALL PARTS ARE PRESENT AND CORRECT BEFORE PROCEEDING (2 OF 2)

ME1669 X8



FX4019 X10

(M8)



ME1670 X6



FX4067 X6

(M8X75)

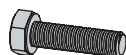


ME1671 X2



FX4039 X4

(M8X30)

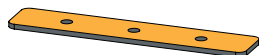


FX4011 X10

(M8)



MA6136 X8

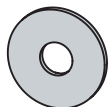


FX4014 X10



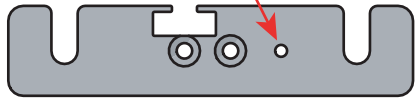
FX4040 X10

(M8)



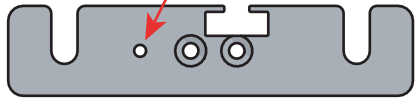
01

1L



X4

1R



X4

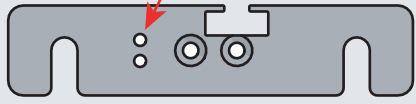


2L



X2

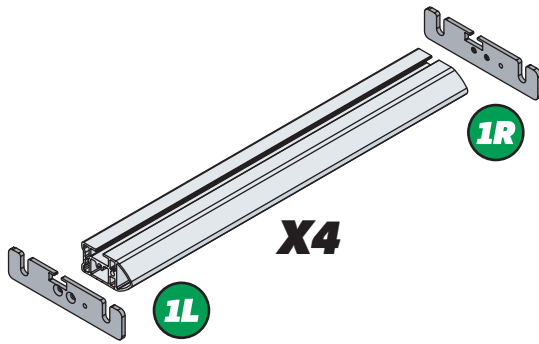
2R



X2

02

1R

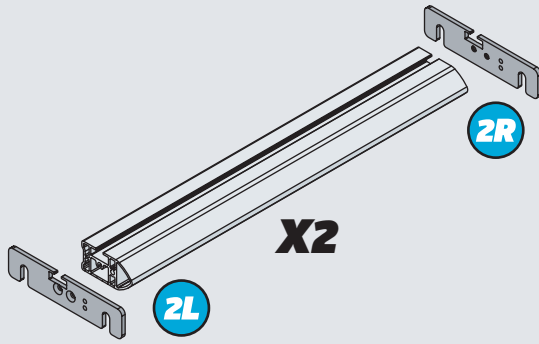


X4

1L



2R



X2

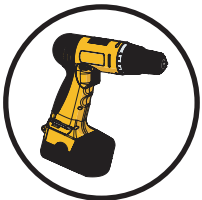
2L



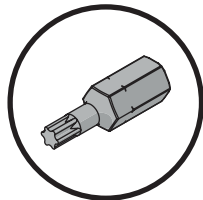
03

01

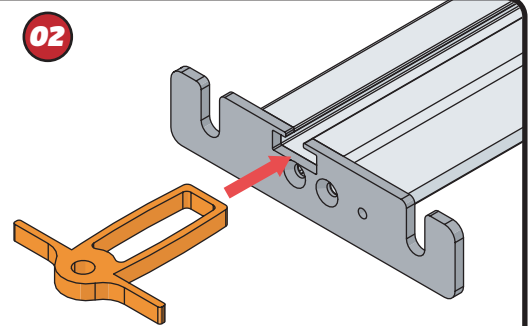
FX4248



+



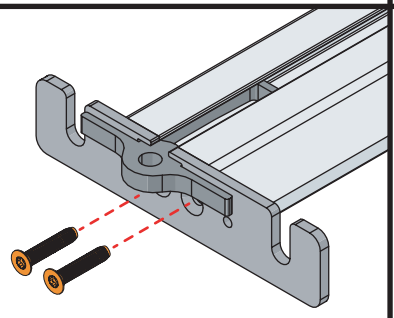
02



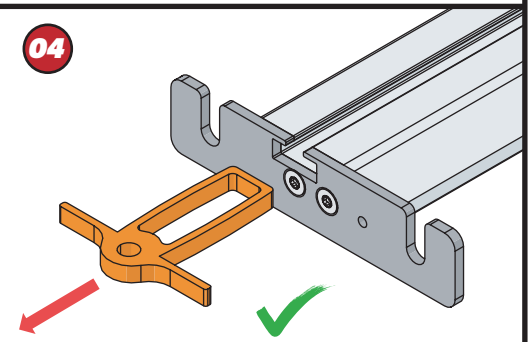
03



11Nm



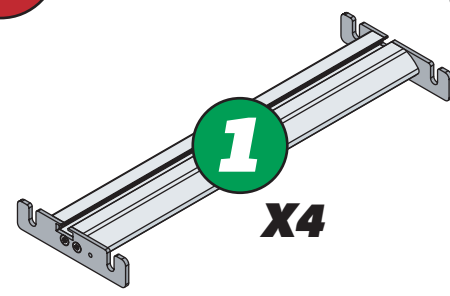
04



04

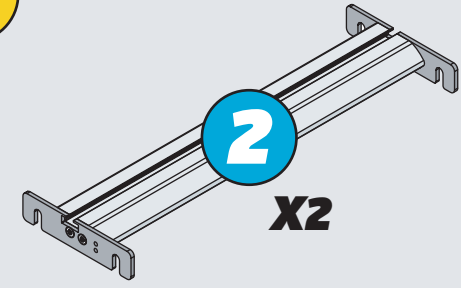


1

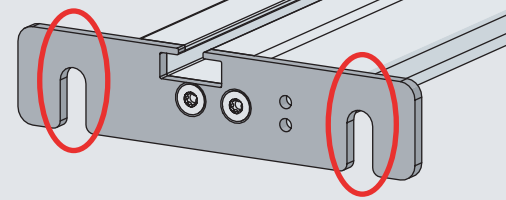
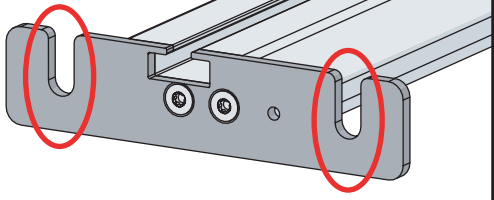


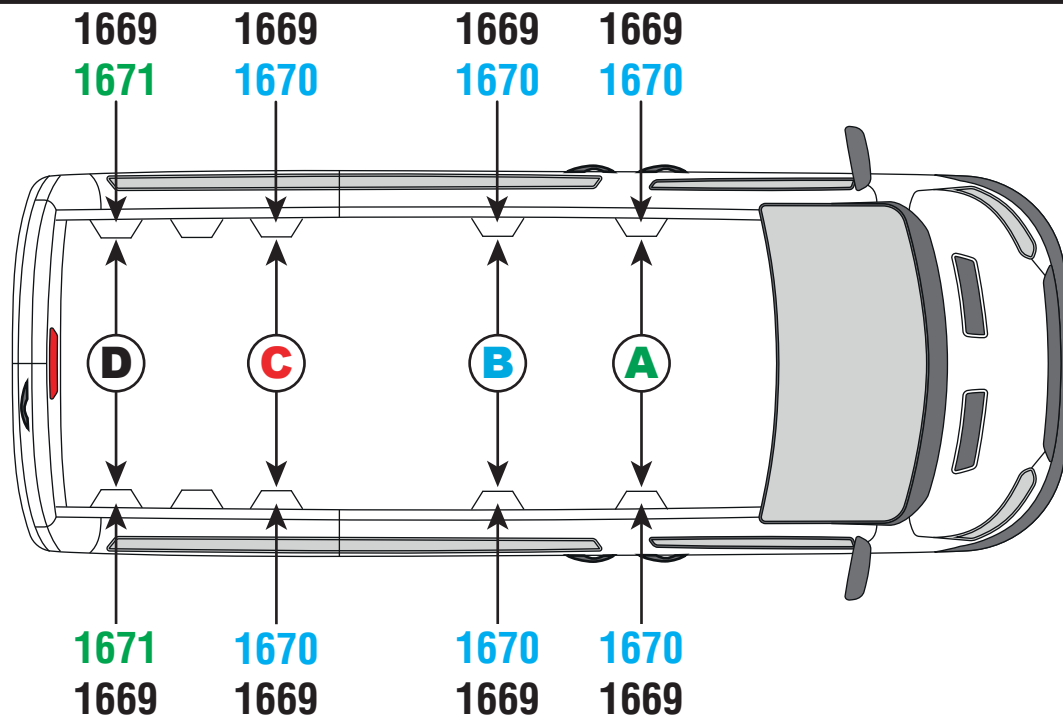
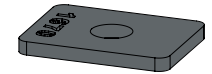
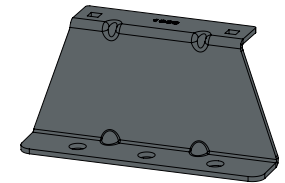
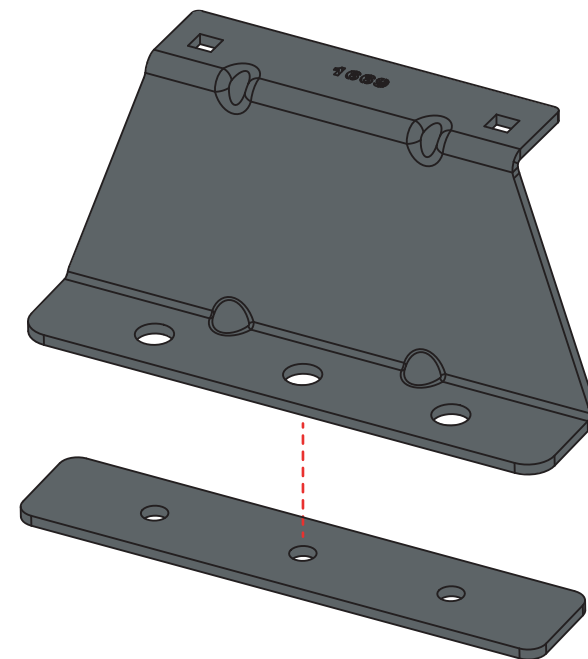
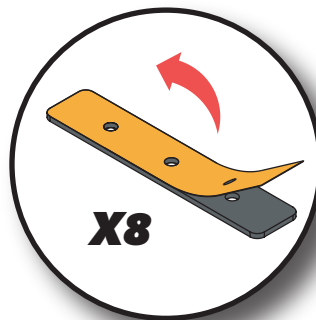
X4

2



X2

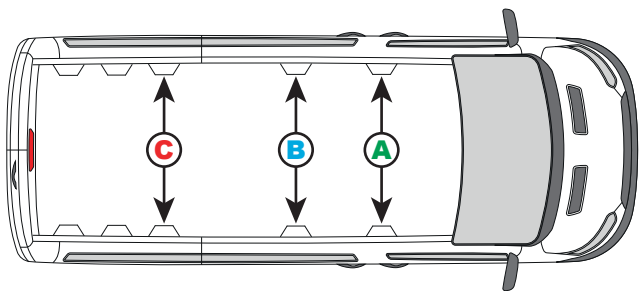


05**1671**
(INTERNAL)**1670**
(INTERNAL)**1669**
(EXTERNAL)**06**

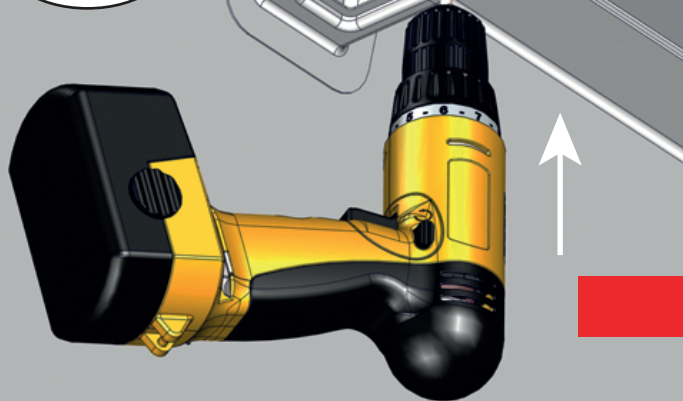
EN - STICK GASKETS TO ALL BRACKETS
 DE - KLEBEN SIE DIE DICHTUNG AN ALLEN HALTERUNGEN
 FR - COUSSINETS ADHÉSIFS À TOUS LES SUPPORTS
 NL - PLAK PAKKING OP ALLE BEUGELS
 ES - PEGA LAS ALMOHADILLAS A TODOS LOS SOPORTES
 IT - ADESIVI GUARNIZIONI A TUTTE LE STAFFE

SV - FÄST GUMMI PÅ ALLA FÄSTEN
 DA - KLÆB GUMMI PÅ ALLE BESLAG
 NO - PLIST GUMMI PÅ ALLE BRACKETTER
 PL - NAKLEJ USZCZELKI DO WSZYSTKICH WSPORNIKÓW
 CS - PŘILEPTE TĚSNĚNÍ NA VŠECHNY DRŽÁKY

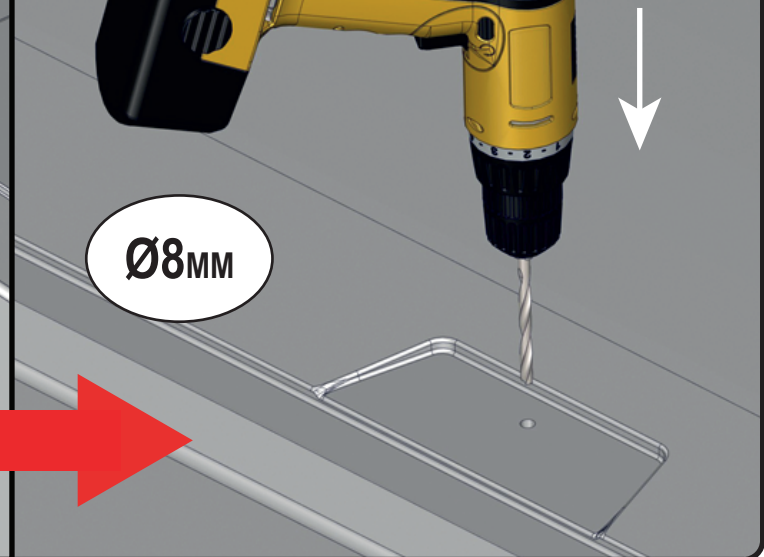
07



Ø4MM



Ø8MM

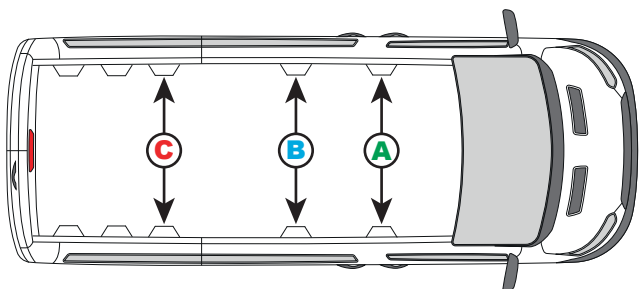
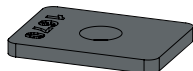
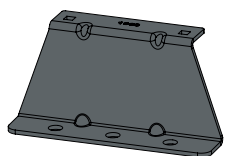


08

X6

1669

1670

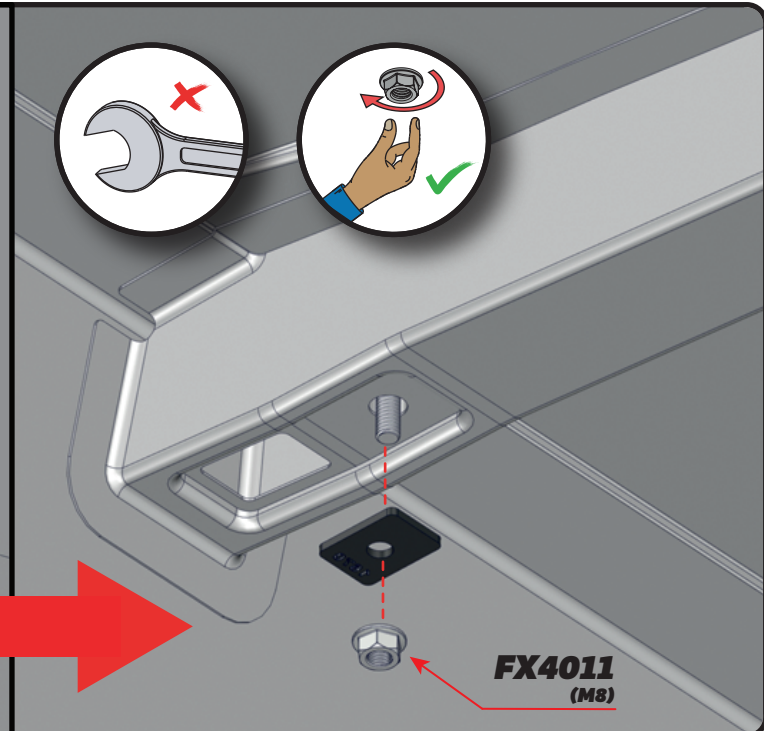
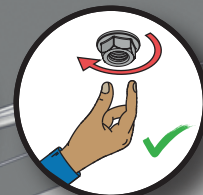
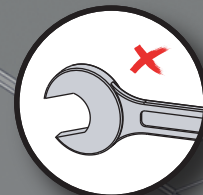
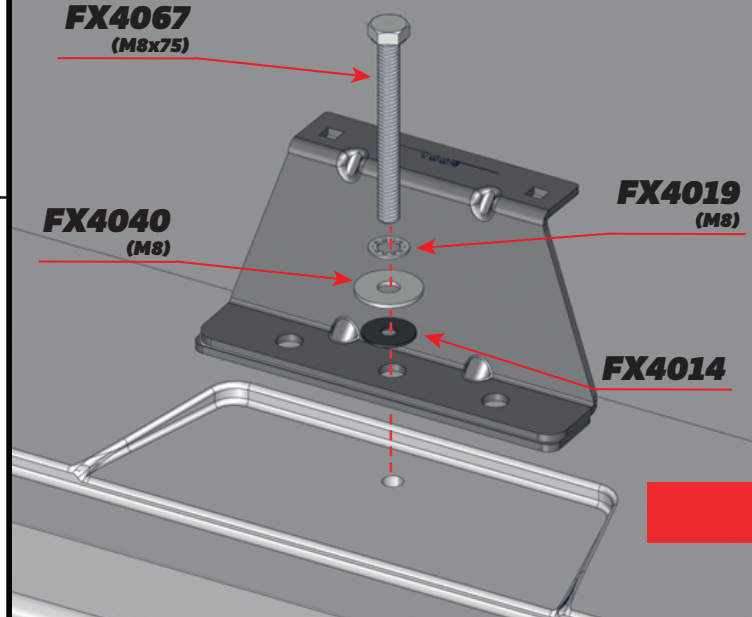


FX4067
(M8x75)

FX4040
(M8)

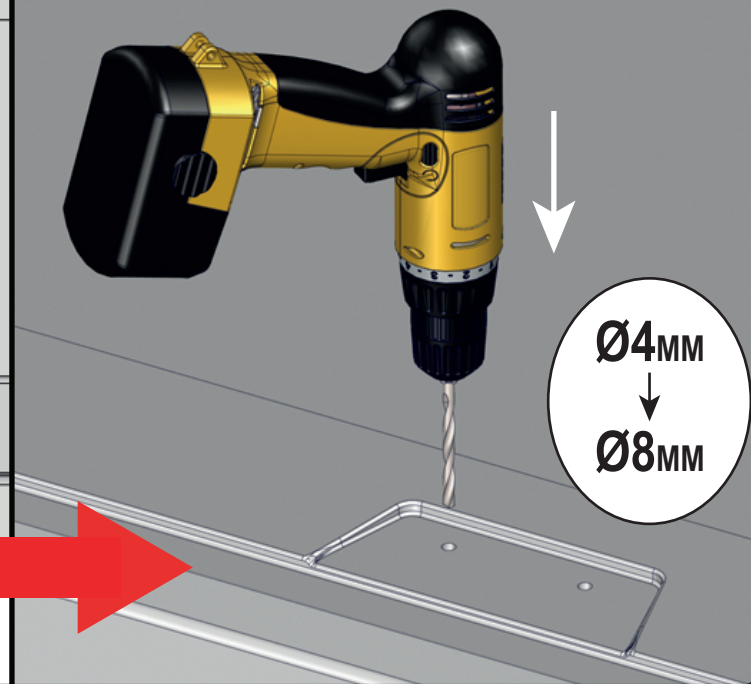
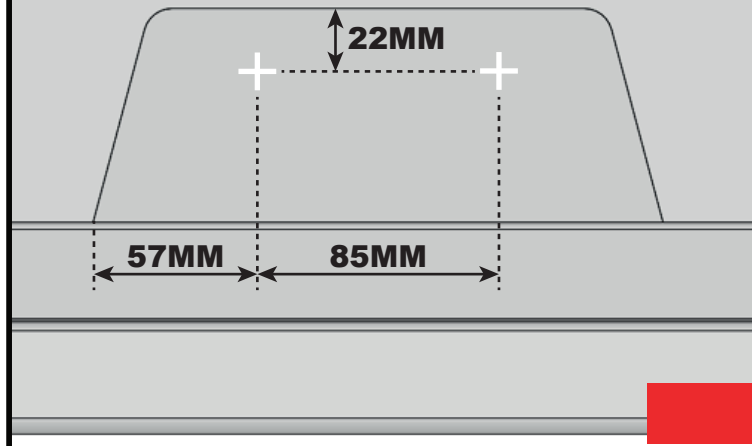
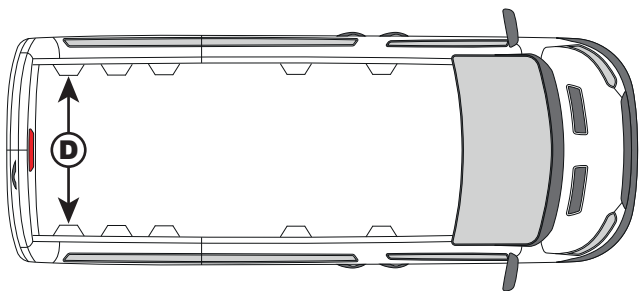
FX4019
(M8)

FX4014



FX4011
(M8)

09

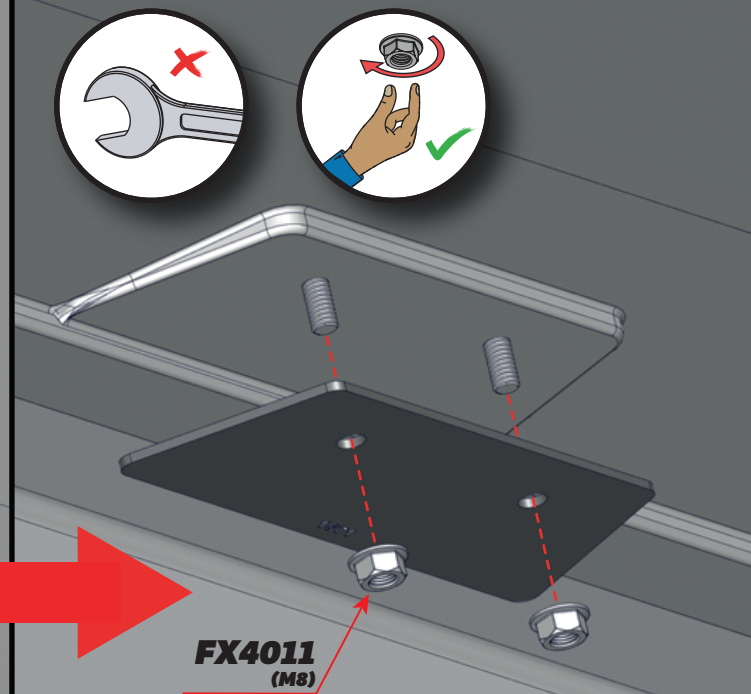
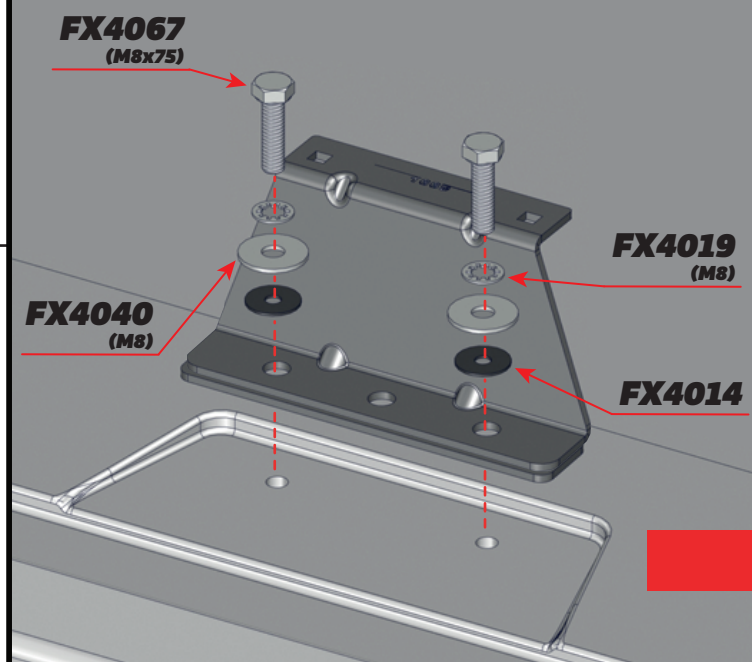
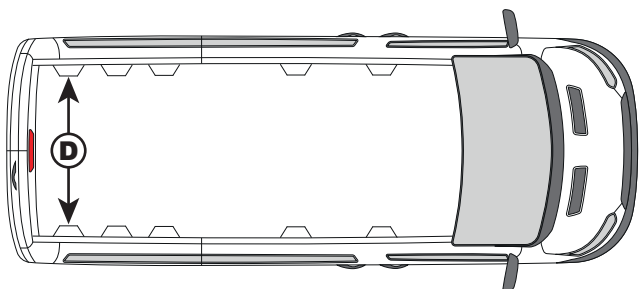
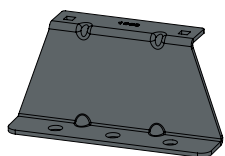


10

X2

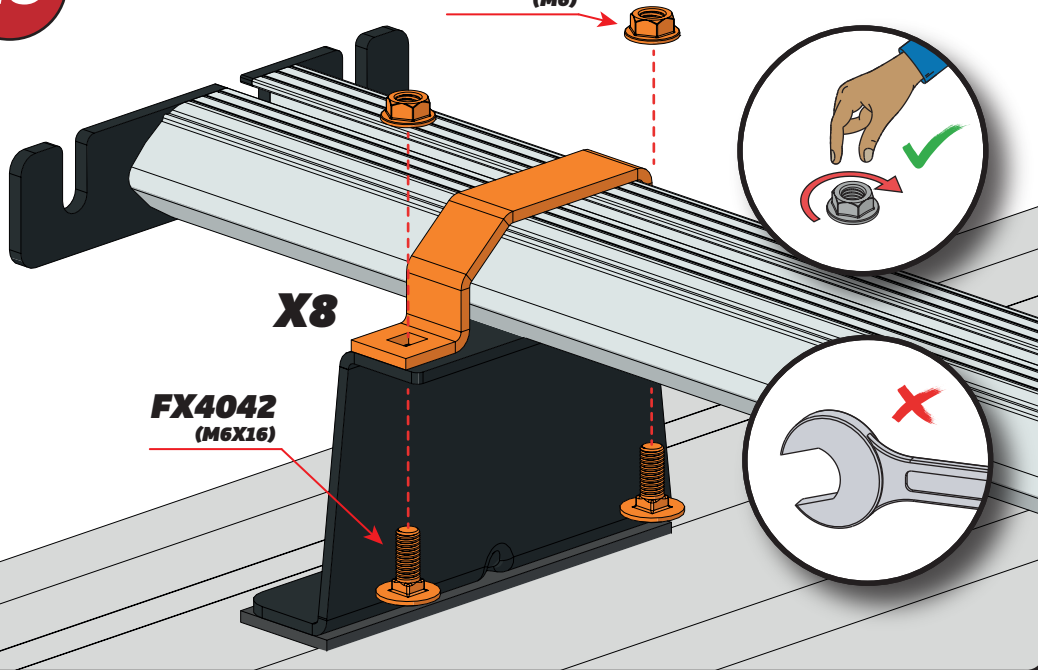
1669

1670



16

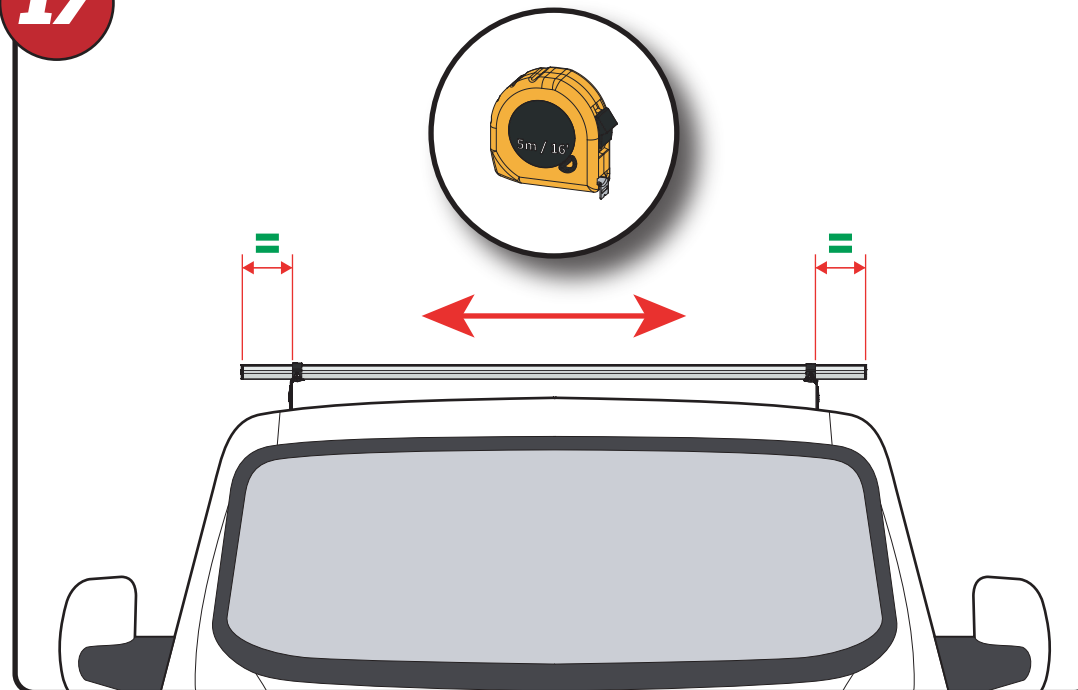
FX4016
(M6)



X8

FX4042
(M6X16)

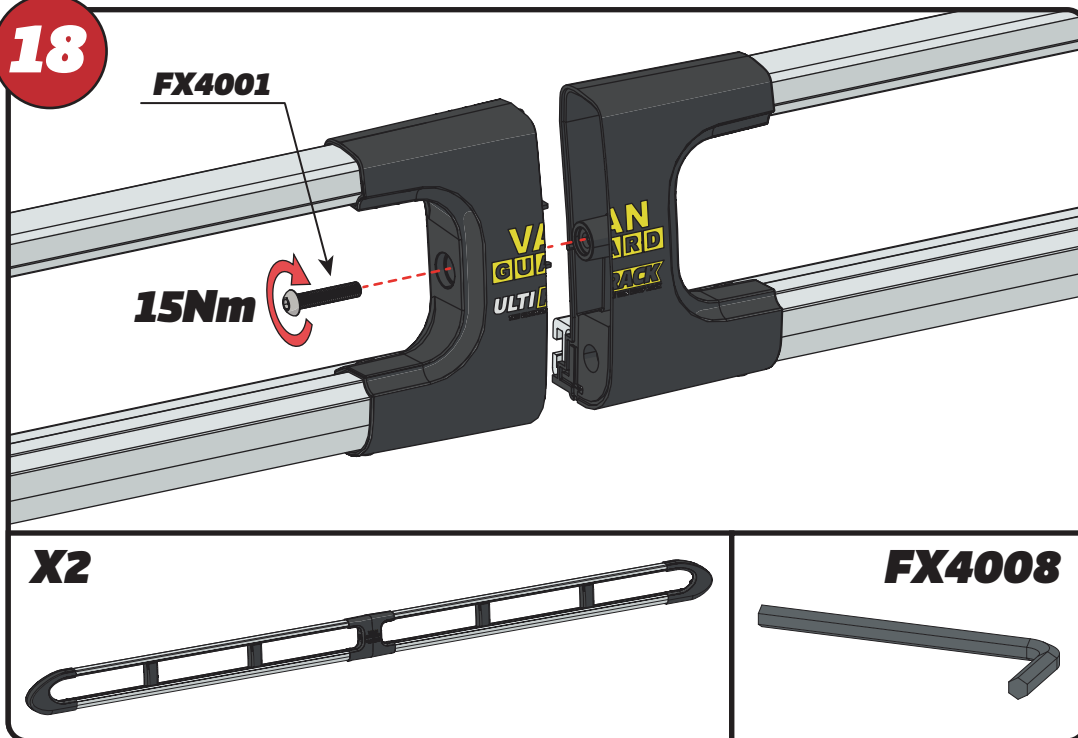
17



18

FX4001

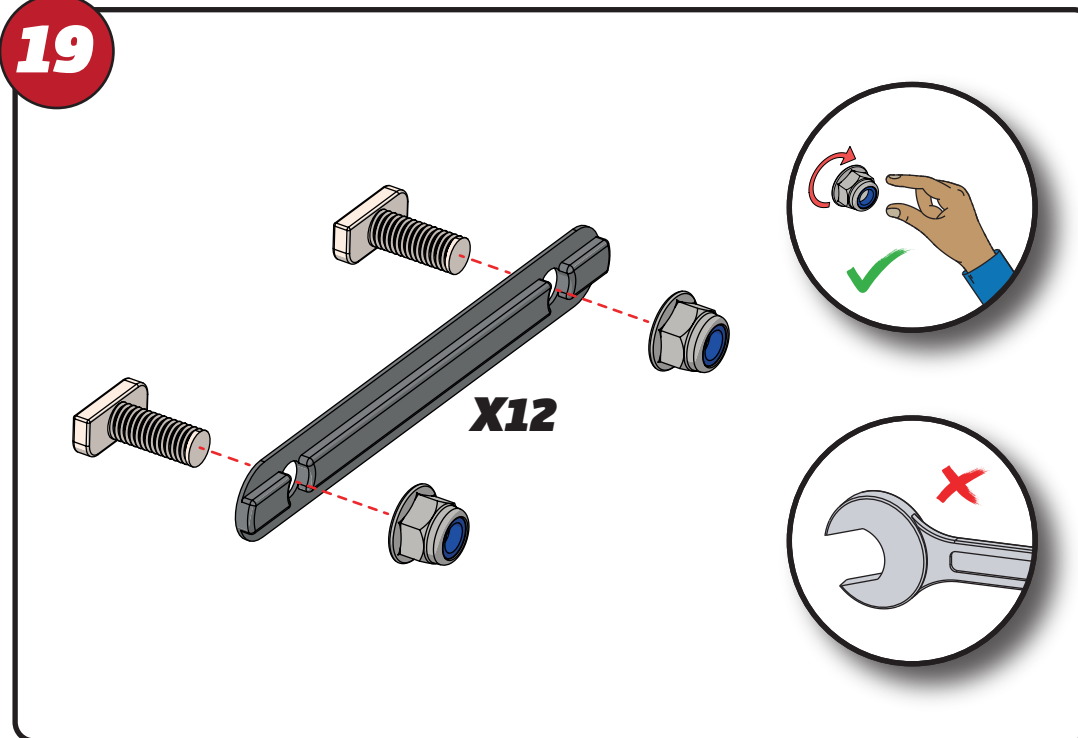
15Nm



X2

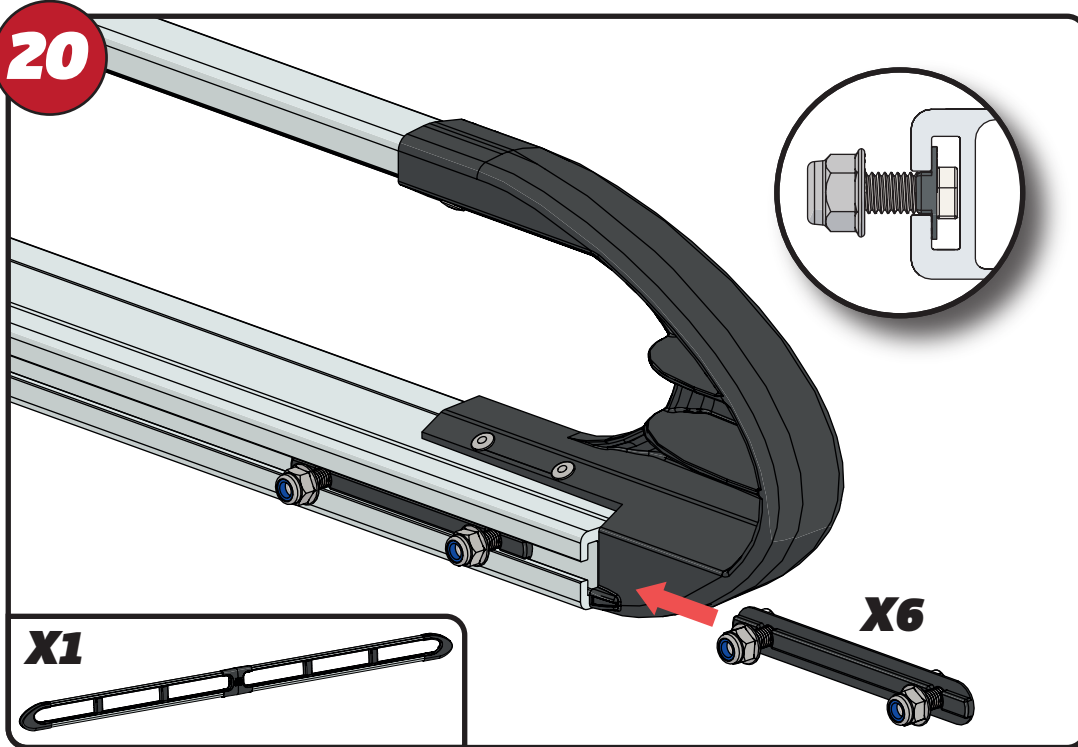
FX4008

19

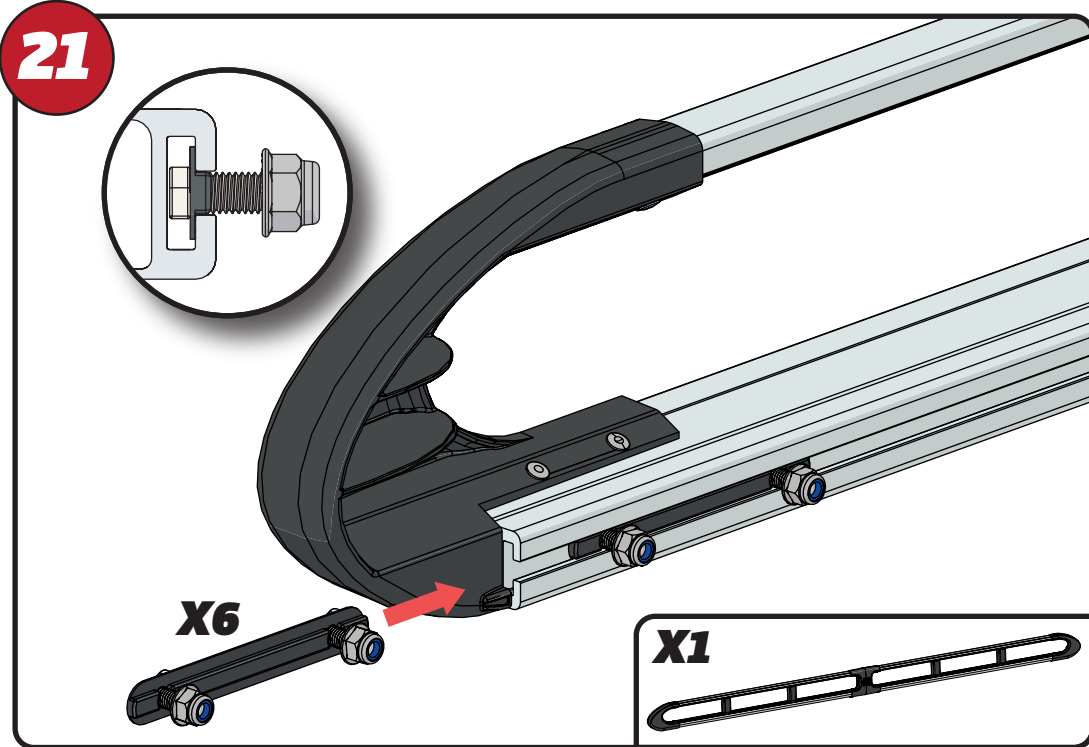


X12

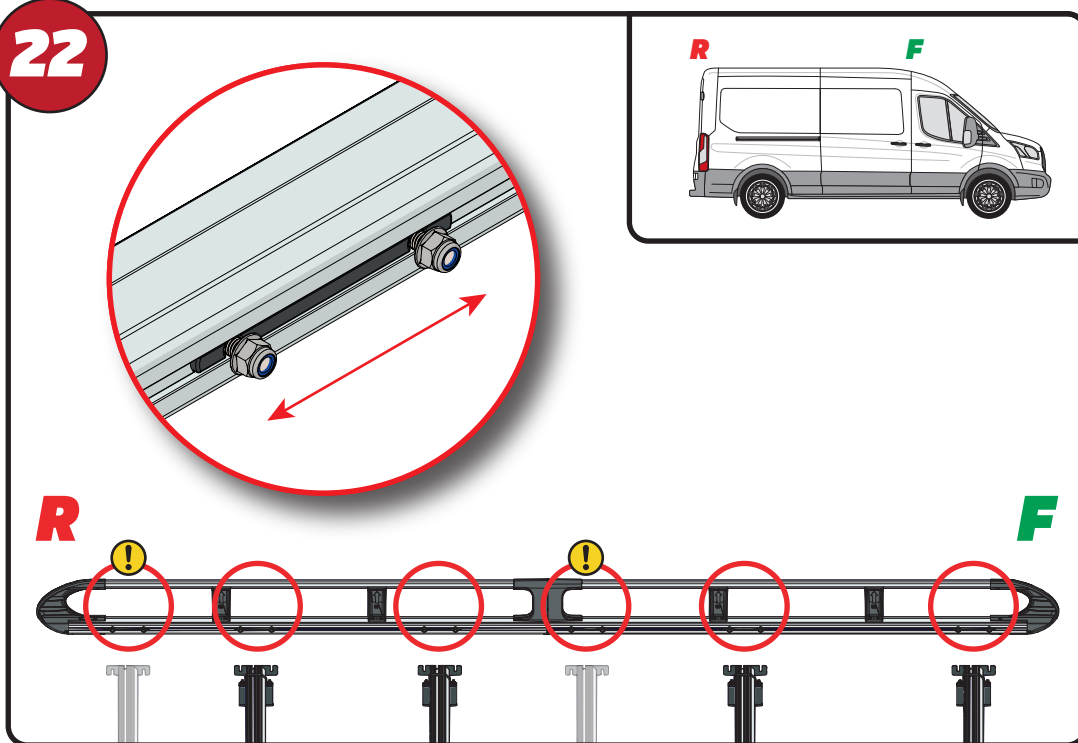
20



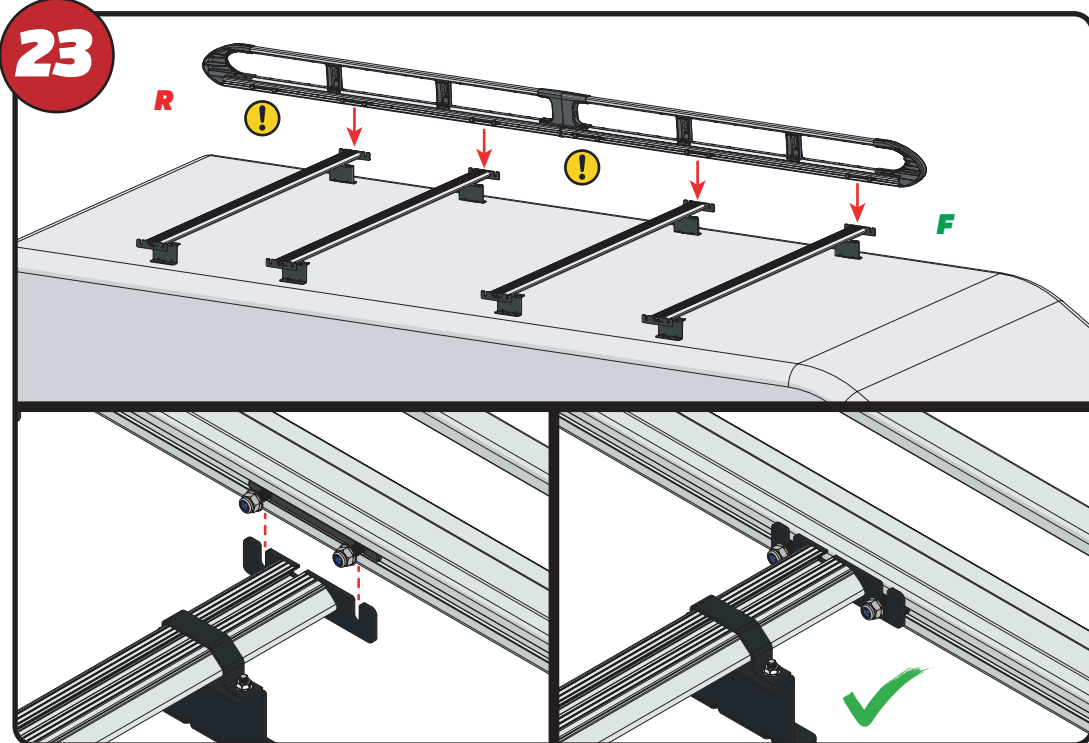
21



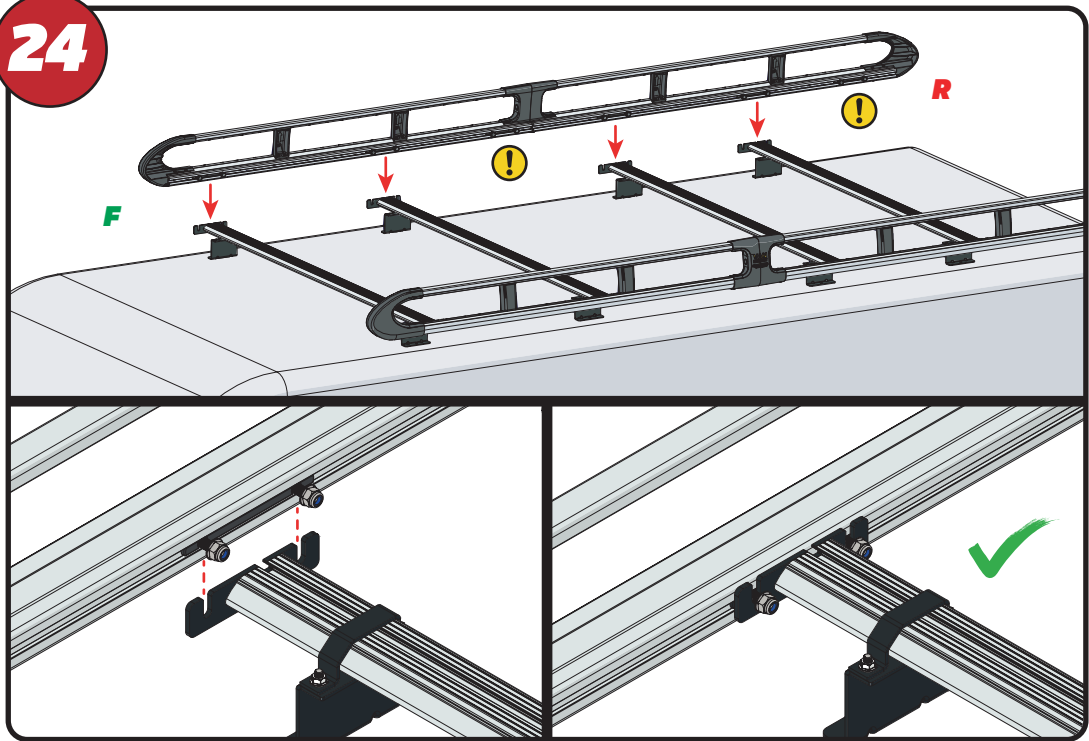
22



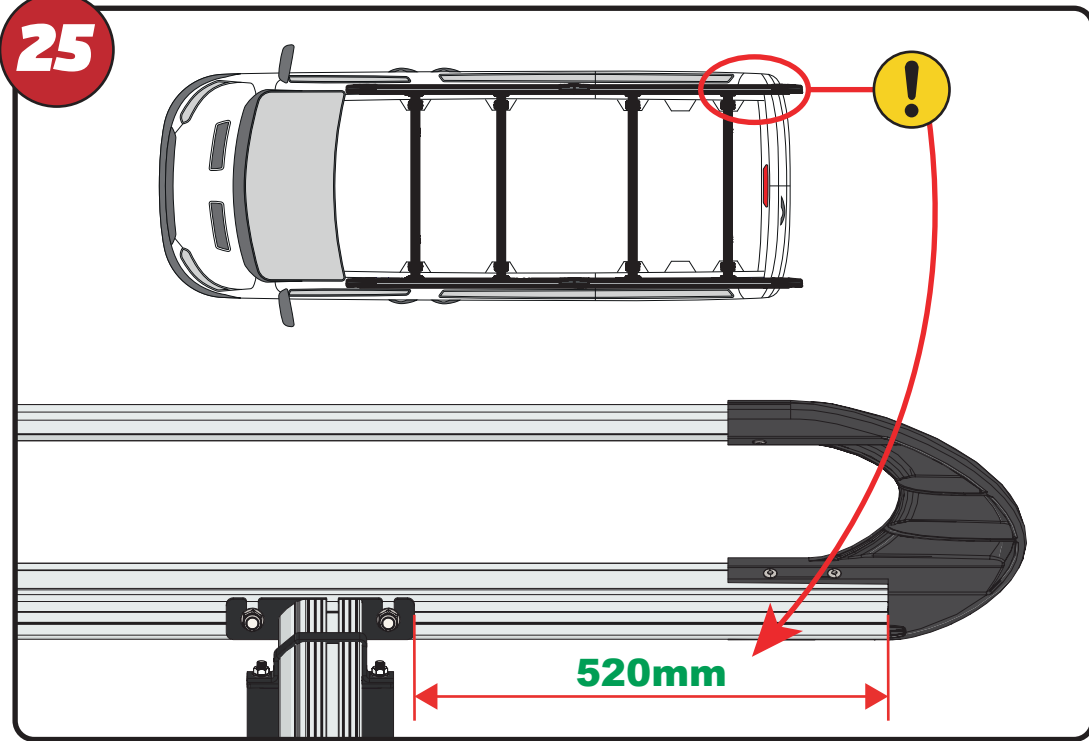
23



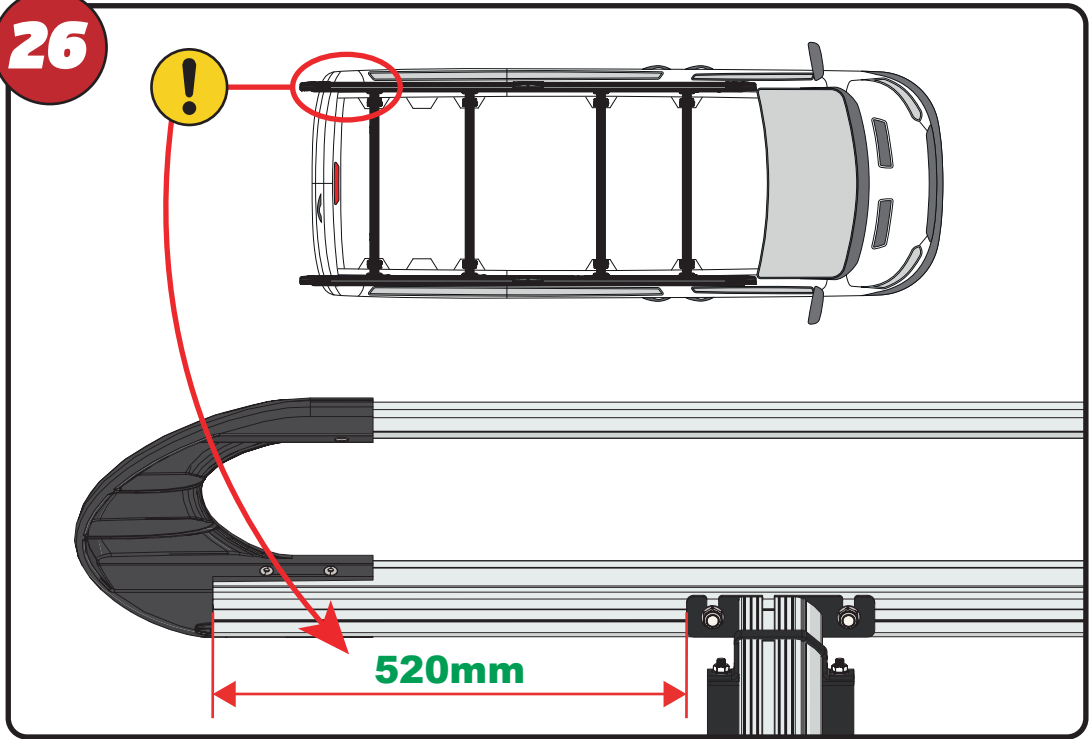
24



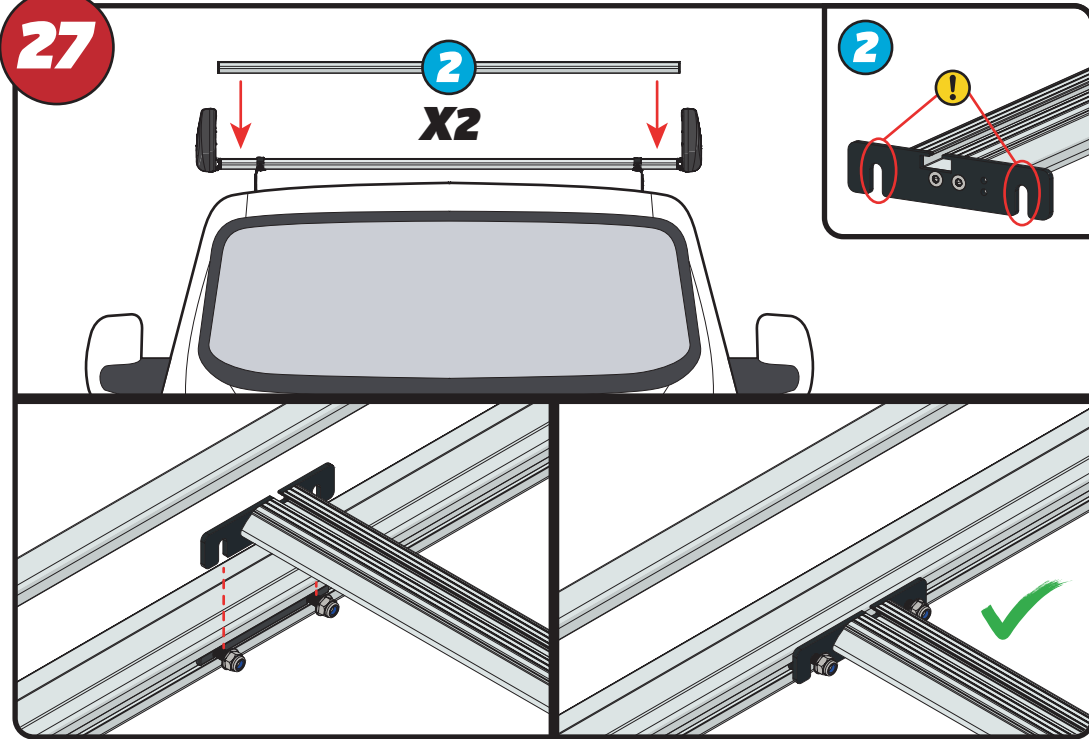
25



26

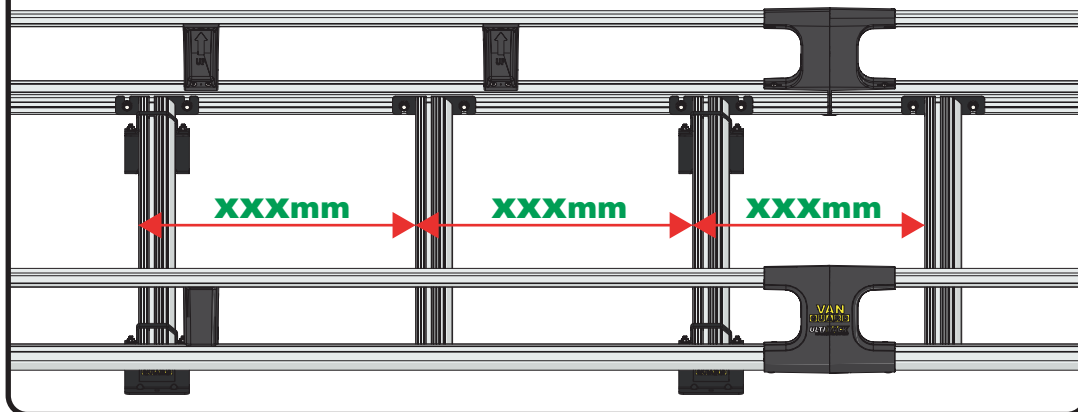
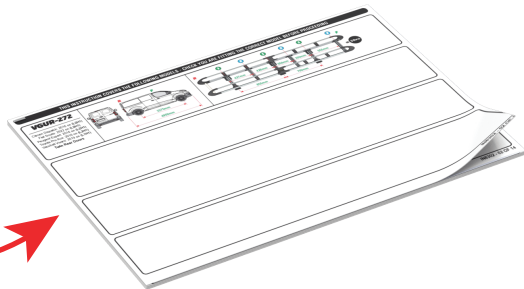
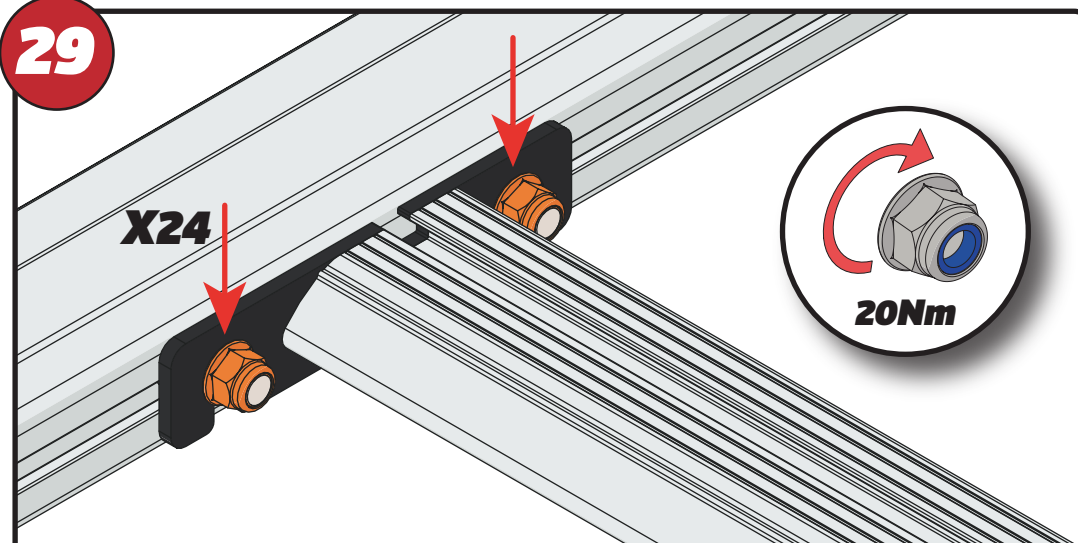


27



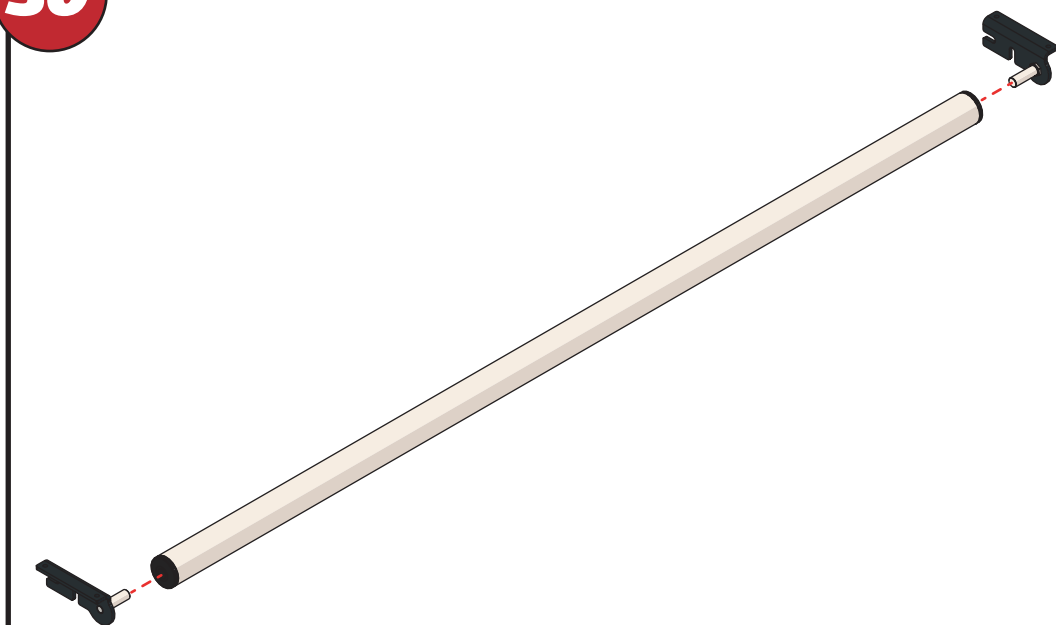
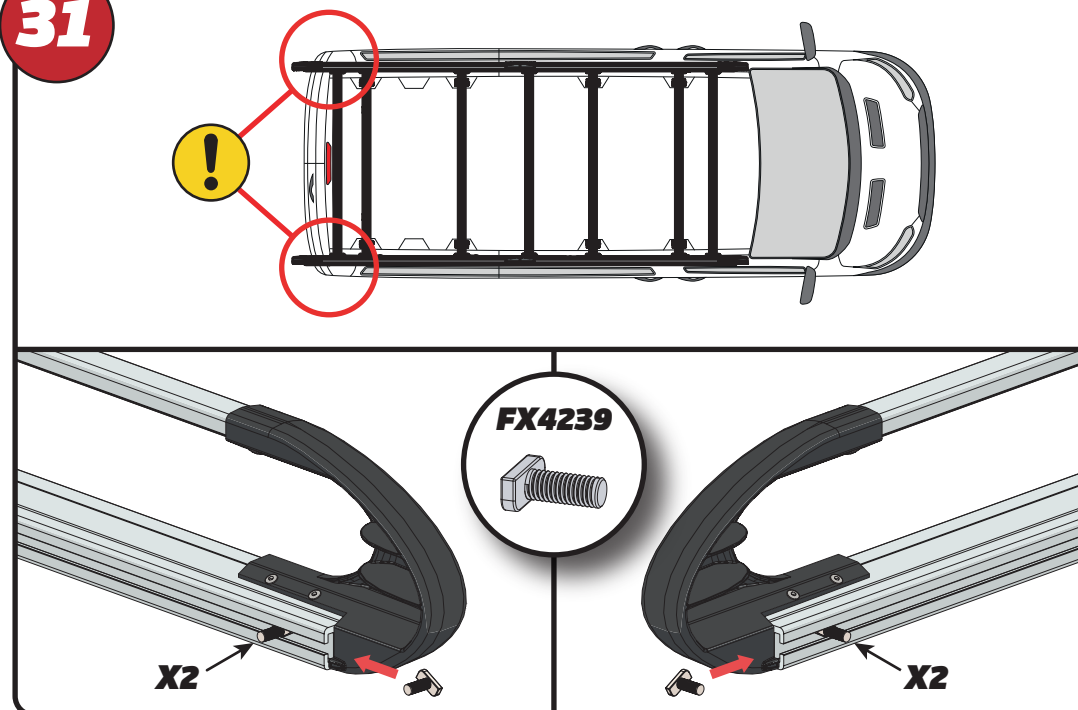
28

XXX =
PAGE 2 OF 16

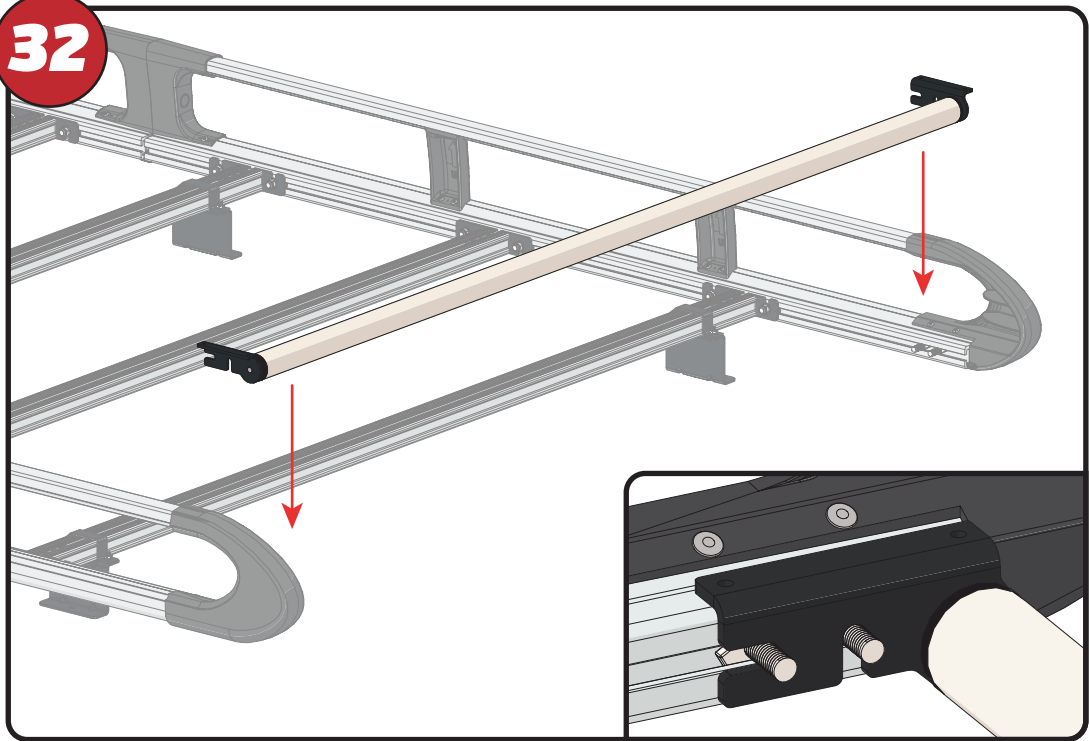
**29****X24****20Nm**

EN - TIGHTEN ALL OF THE CROSS BARS
DE - ALLE QUERSTANGEN FESTZIEHEN
FR - SERREZ TOUTES LES BARRES TRANSVERSALES
NL - DRAAI ALLE DWARSBALK VAN HET DAK AAN
ES - APRIETE TODAS LAS BARRAS TRANSVERSALES
IT - STRINGERE TUTTE LE BARRE TRASVERSALI

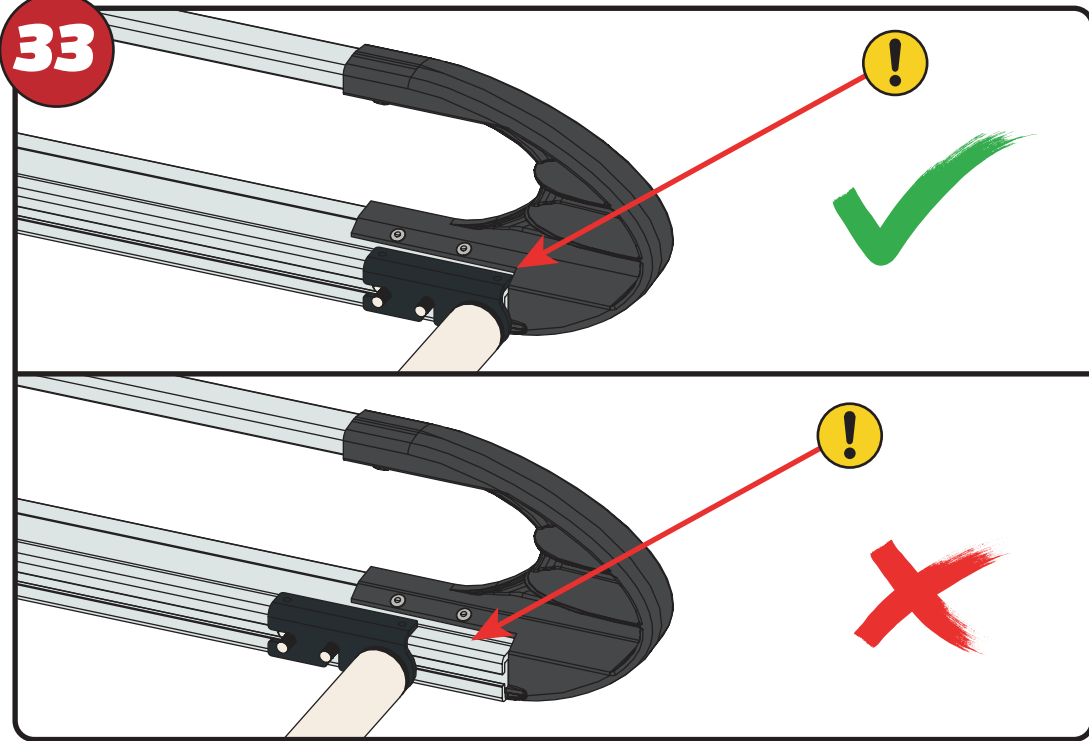
SV - SKRU UPP ALLA KORSSTANGAR
DA - SKRU ALLE TAGBØJLER OP
NO - SKRU OPP ALLE TVERRSTENGER
PL - DOKRĘCIĆ WSZYSTKIE POPRZECZKI
CS - VŠECHNY PŘÍČNÉ TYČE SEŠROUJTE

30**31****FX4239****X2****X2**

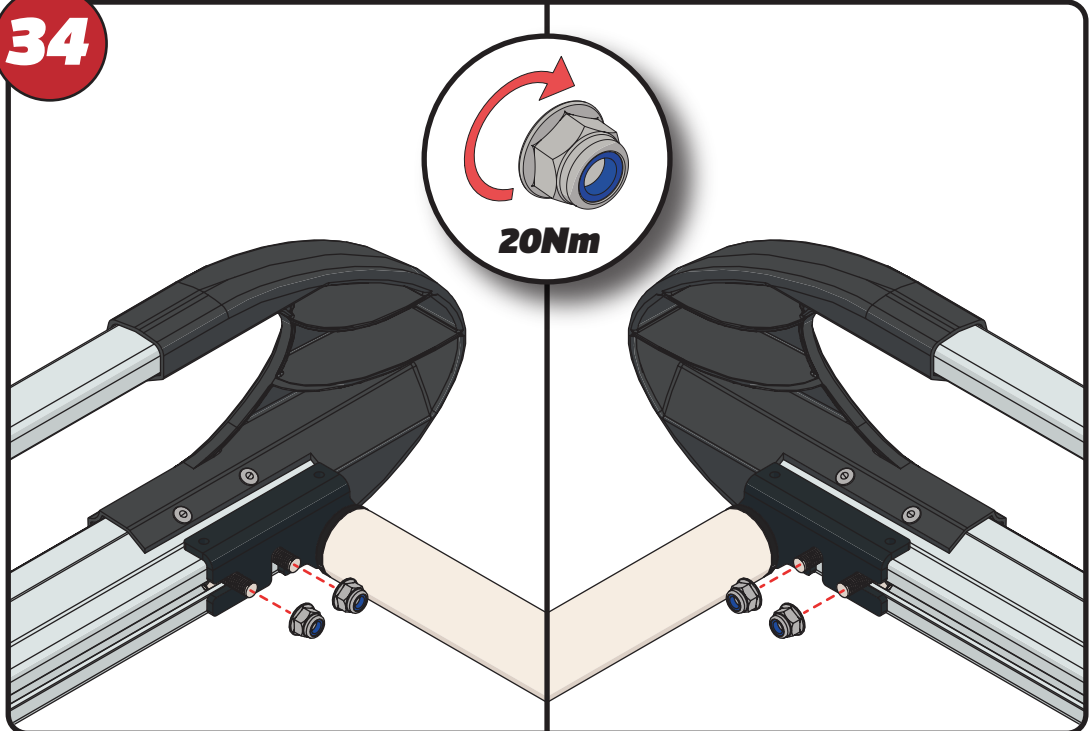
32



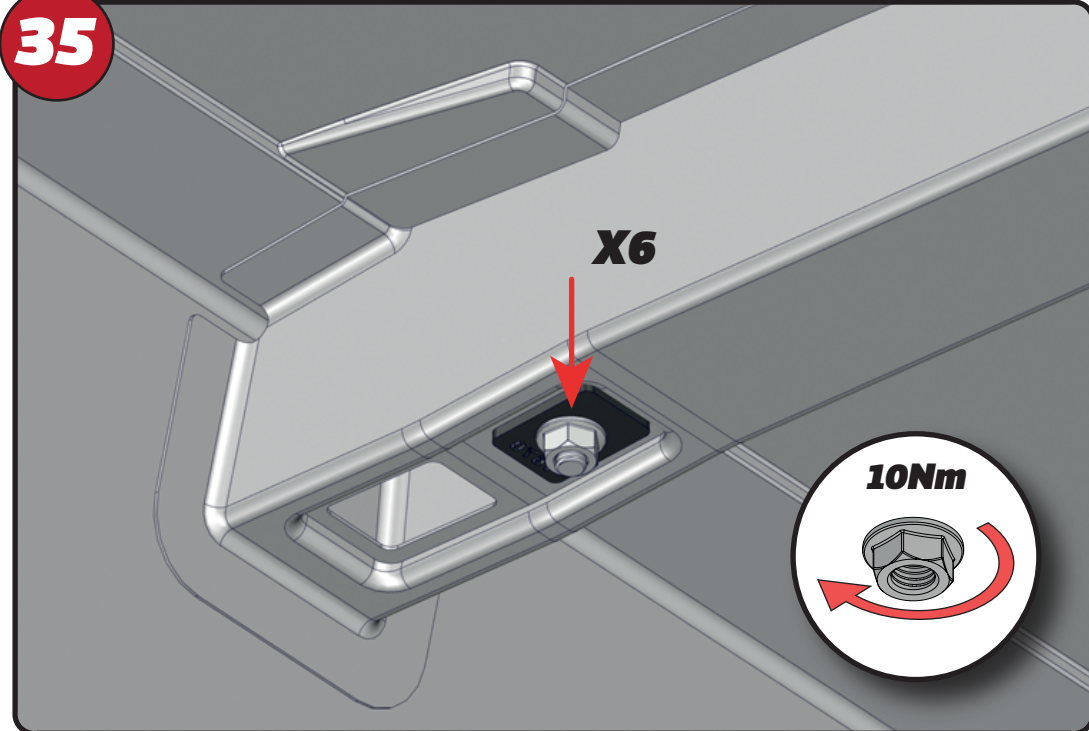
33



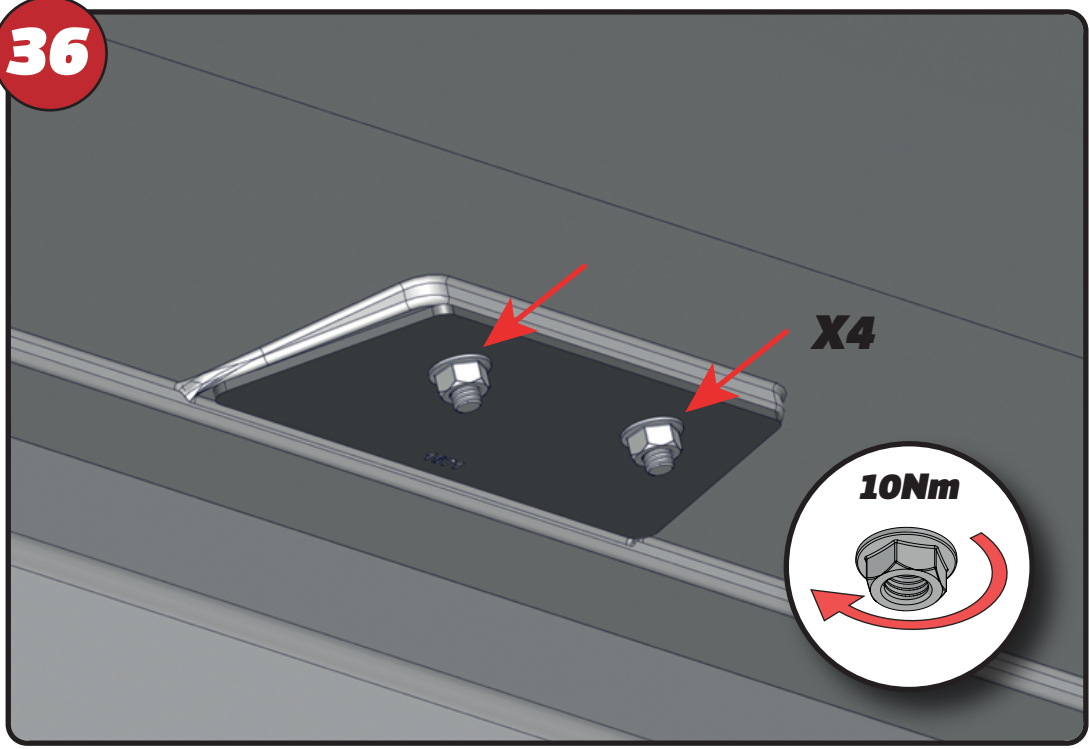
34



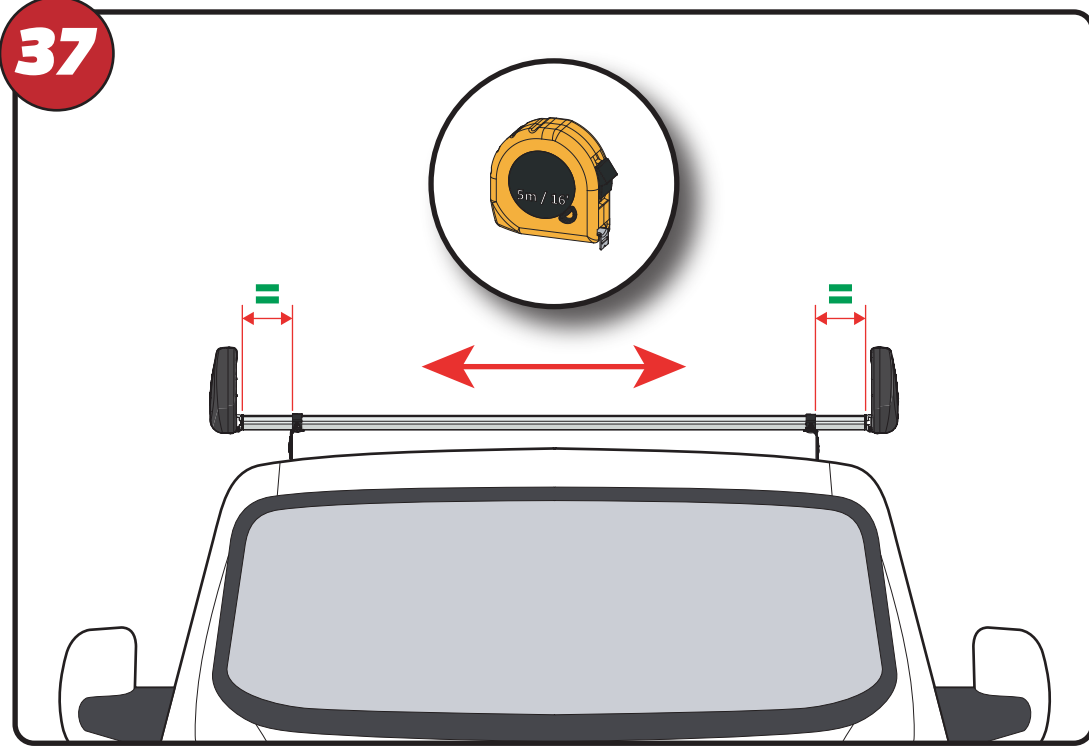
35



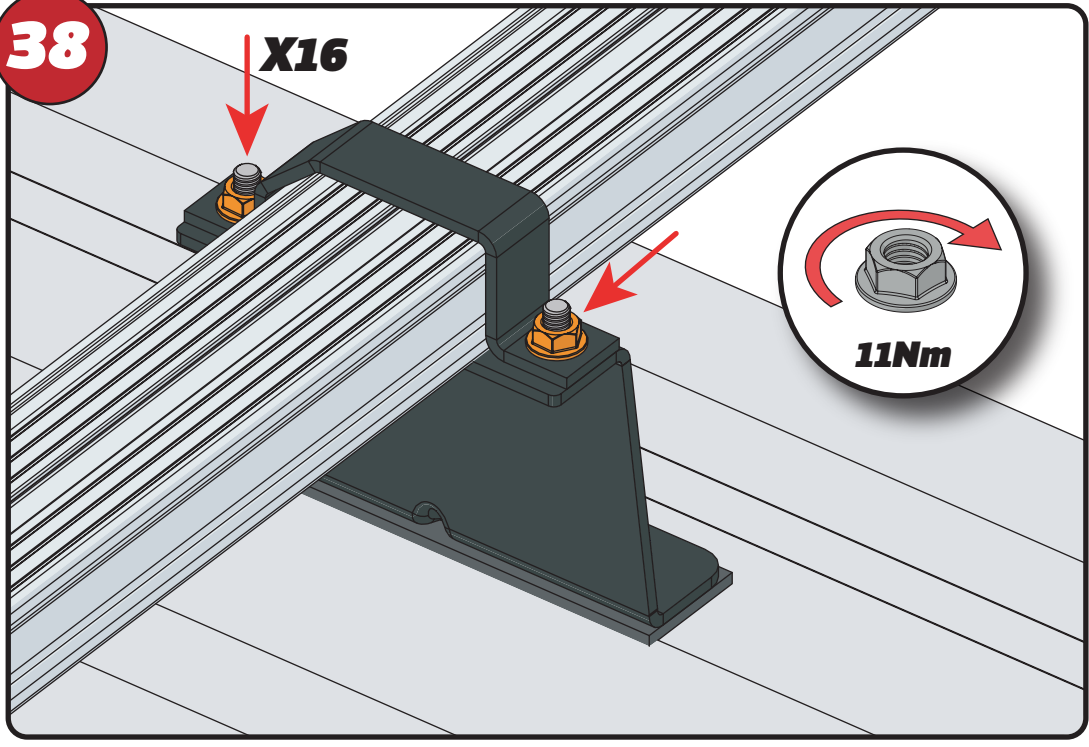
36



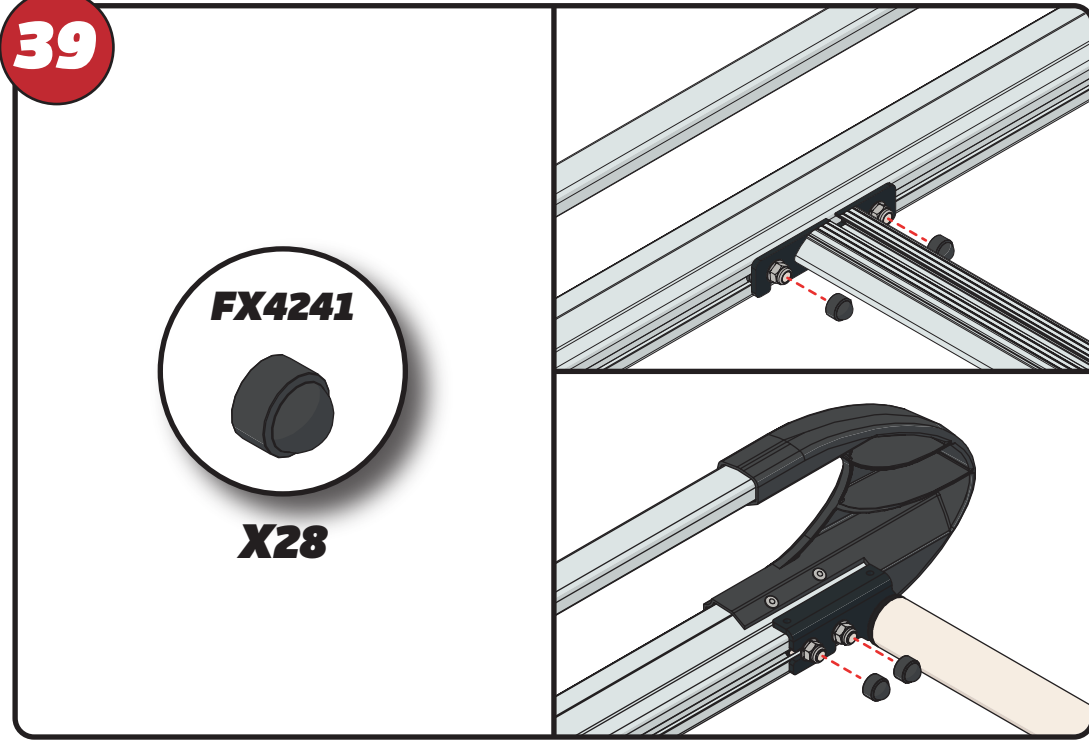
37



38

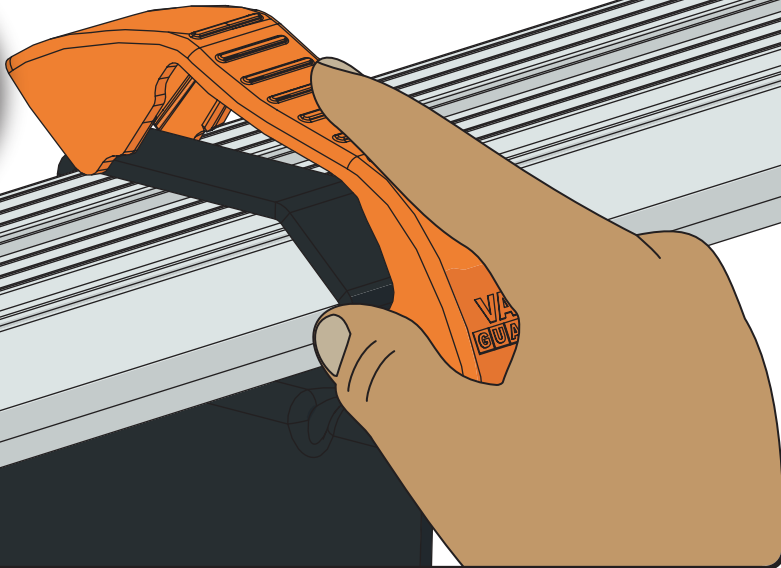


39



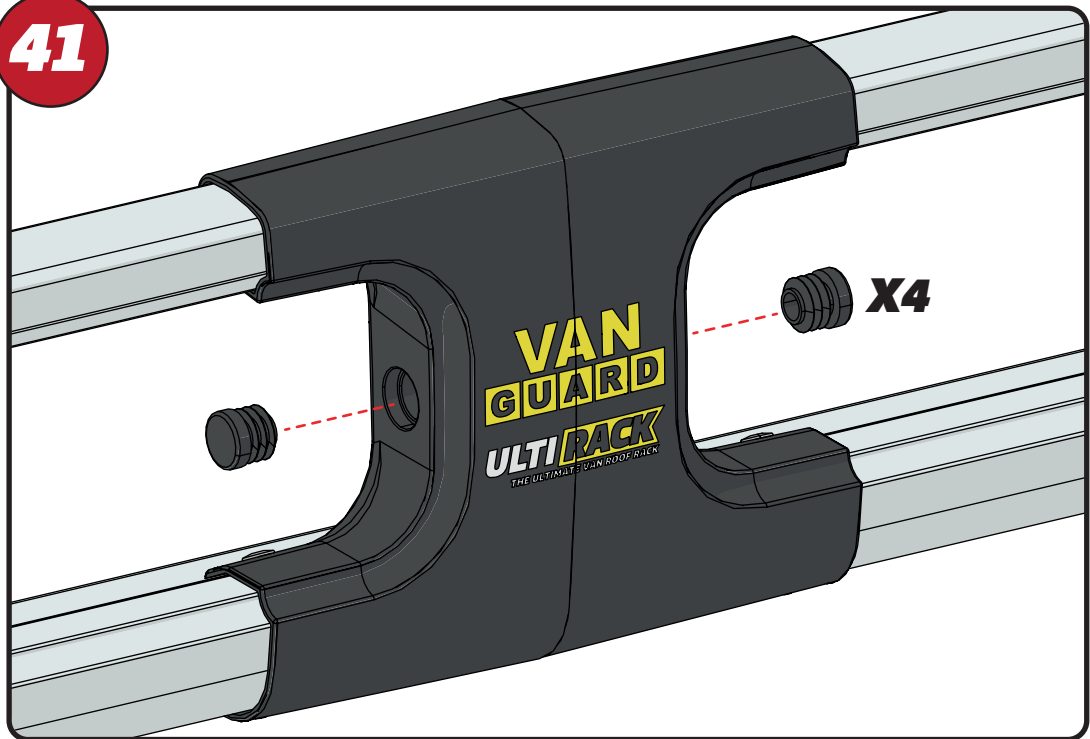
40

X8



41

X4



42

