



# IN8467

# ULTI Bars - X3

<b>FX4011 X4</b> (M8) 	<b>FX4016 X12</b> (M6) 	<b>FX4014 X8</b> (RUBBER) 	<b>FX4040 X12</b> (M8) 	<b>FX4013 X4</b> (M6) 	<b>FX4019 X8</b> (M8) 	<b>FX4039 X8</b> (M8X30) 	<b>FX4042 X12</b> (M6X16) 
<b>FX4142 X4</b> 	<b>MA6065 X6</b> 	<b>MA6136 X6</b> 	<b>ME0203 X6</b> 	<b>ME1669 X6</b> 	<b>ME2557 X2</b> 	<b>AS3855 X4</b> 	

### TOOLS REQUIRED

- 10MM X 1
- 13MM X 2
- TAPE MEASURE X 1
- DRILL (Ø4 & Ø9) X 1
- SCREW DRIVER X 1

**EN** - SAFETY AND PRODUCT INFORMATION  
**DE** - SICHERHEITS- UND PRODUKTINFORMATIONEN  
**FR** - INFORMATIONS DE SÉCURITÉ ET DU PRODUIT  
**NL** - VEILIGHEIDS- EN PRODUCTINFORMATIE  
**ES** - INFORMACIÓN DE SEGURIDAD Y DEL PRODUCTO  
**IT** - INFORMAZIONI SULLA SICUREZZA E SUL PRODOTTO  
**SV** - SÄKERHETS- OCH PRODUKTINFORMATION  
**DA** - SIKKERHEDS- OG PRODUKTINFORMATION  
**NO** - SIKKERHETS- OG PRODUKTINFORMASJON  
**PL** - INFORMACJE O BEZPIECZENSTWIE I PRODUKCJE  
**CS** - INFORMACE O BEZPEČNOSTI A PRODUKTU

**Customercare@van-guard.co.uk**  
**UK +44 (0) 1392 368 351**

**MA6166**

**MA6167**

**X3**

**ULTI Bar Trade**  
(Steel)

**X3**

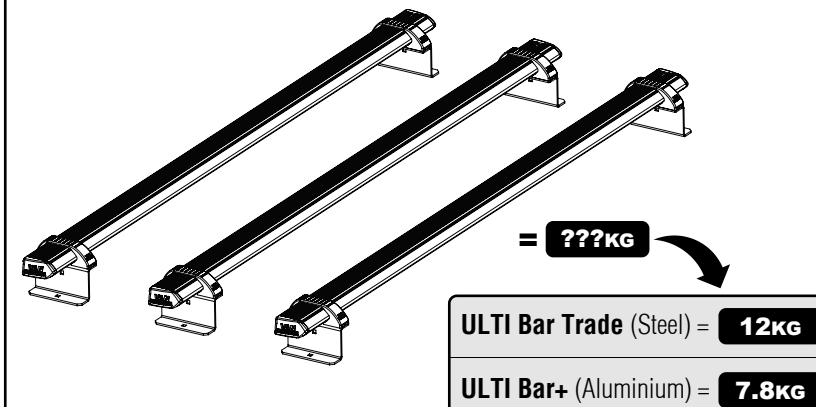
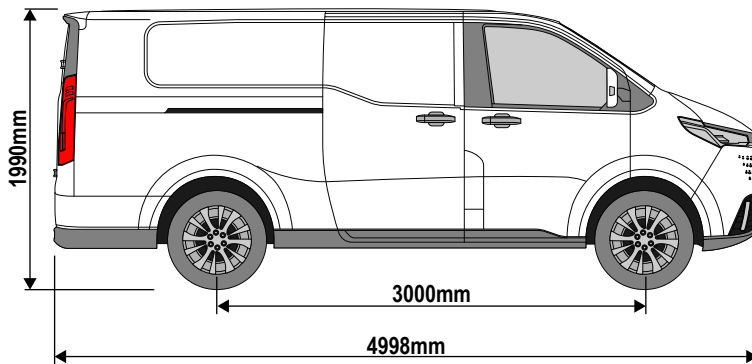
**ULTI Bar+**  
(Aluminium)

This FITTING INSTRUCTION is the property of VAN GUARD ACCESSORIES LTD. and must not be used for manufacturing purposes, copied nor communicated in any way to third parties without written permission from VAN GUARD ACCESSORIES LTD.  
 IN8467\_B (CN:01115)

Van Guard Accessories Ltd  
 Fair Oak Close, Exeter Airport Business Park,  
 Exeter, Devon, EX5 2UL  
[www.van-guard.co.uk](http://www.van-guard.co.uk)

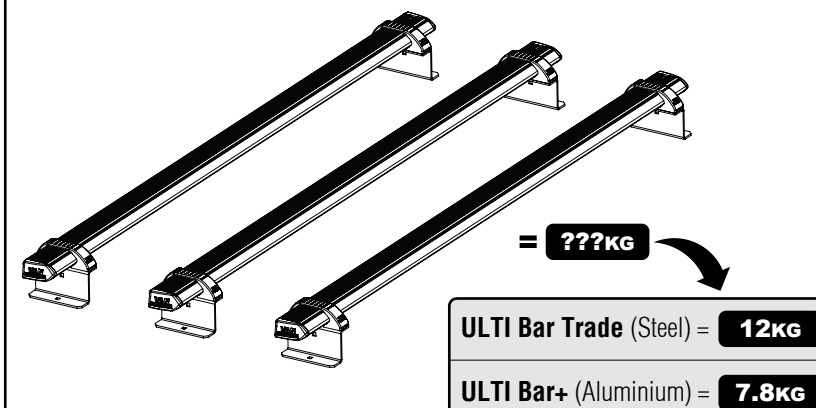
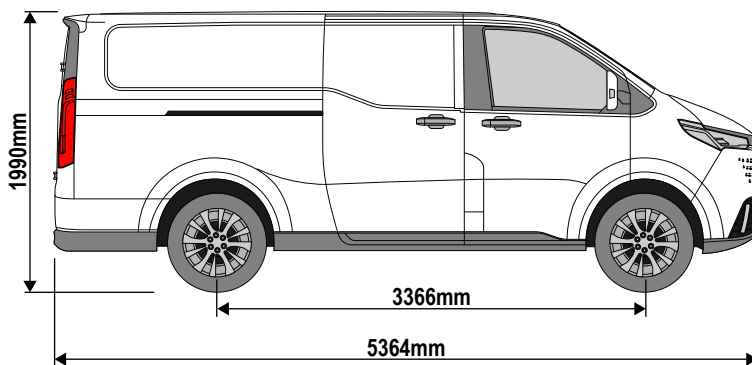
### 351-3

**Vehicle:**  
Maxus Deliver 7 2023 on  
**Wheel Base:** L1  
**Roof Height:** H1  
**Rear Doors:** Twin

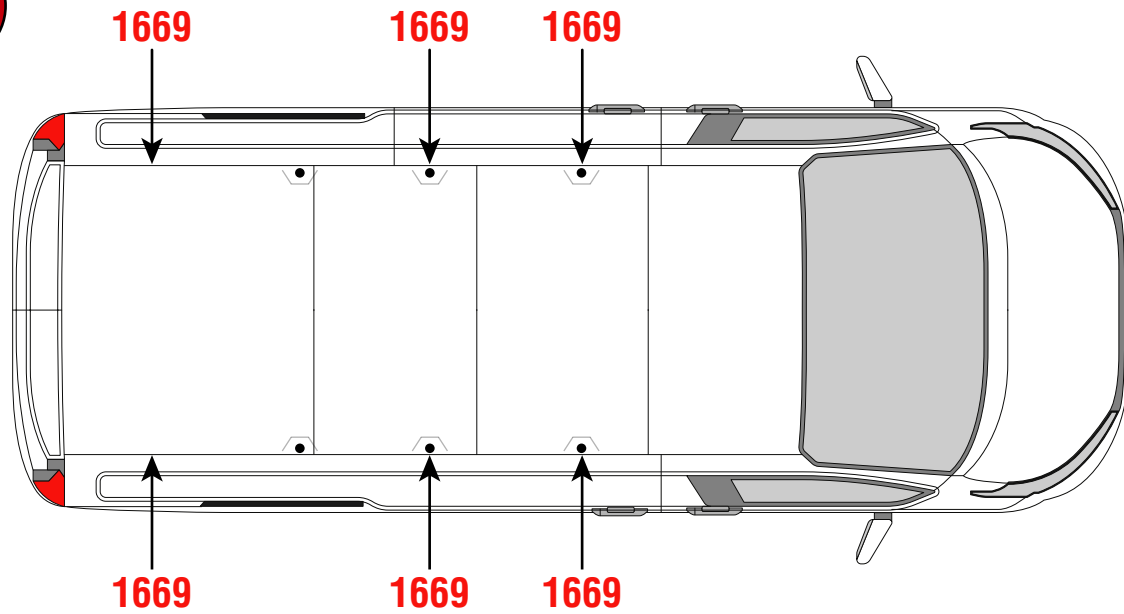


### 351-3

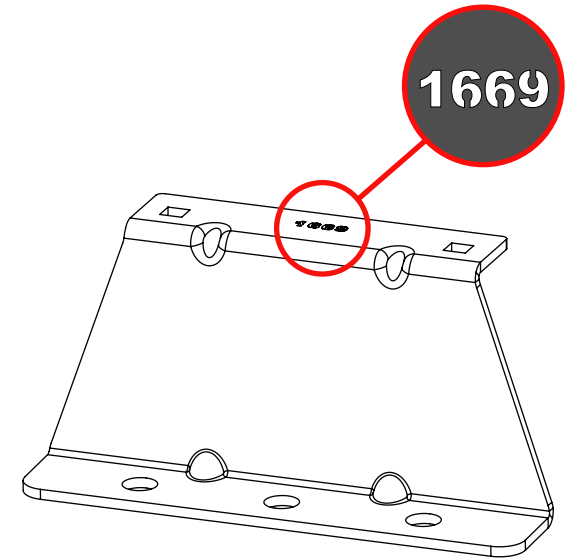
**Vehicle:**  
Maxus Deliver 7 2023 on  
**Wheel Base:** L2  
**Roof Height:** H1  
**Rear Doors:** Twin



**01**

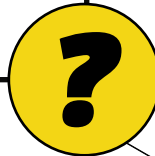
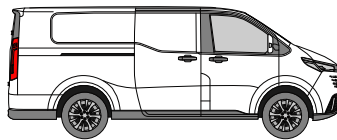


**1669**

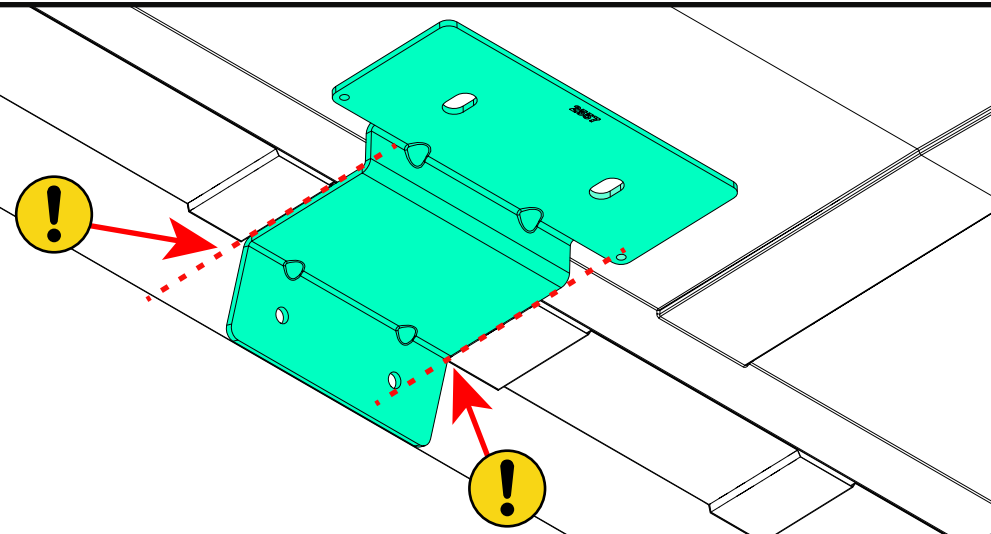
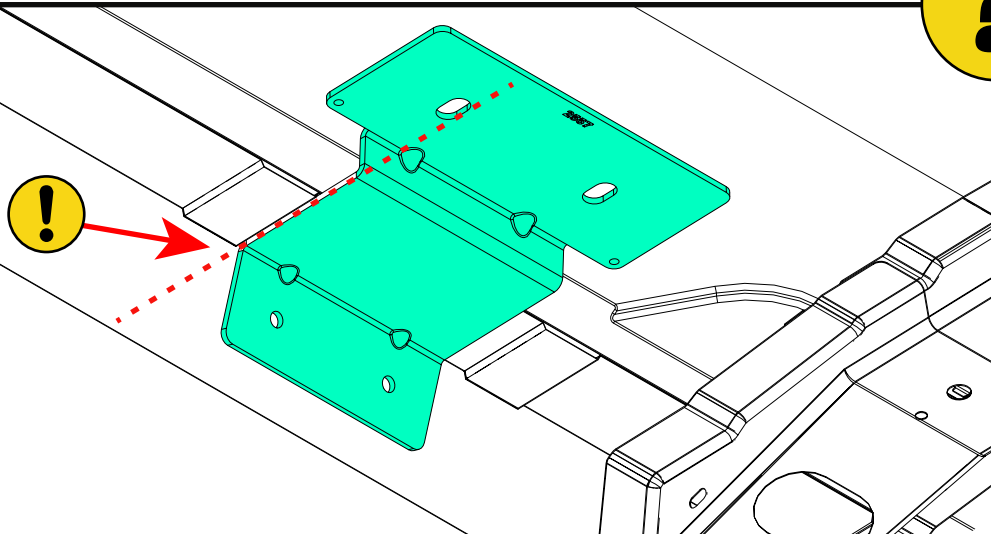
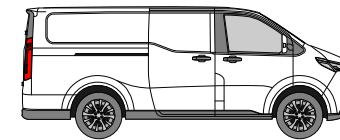


**02**

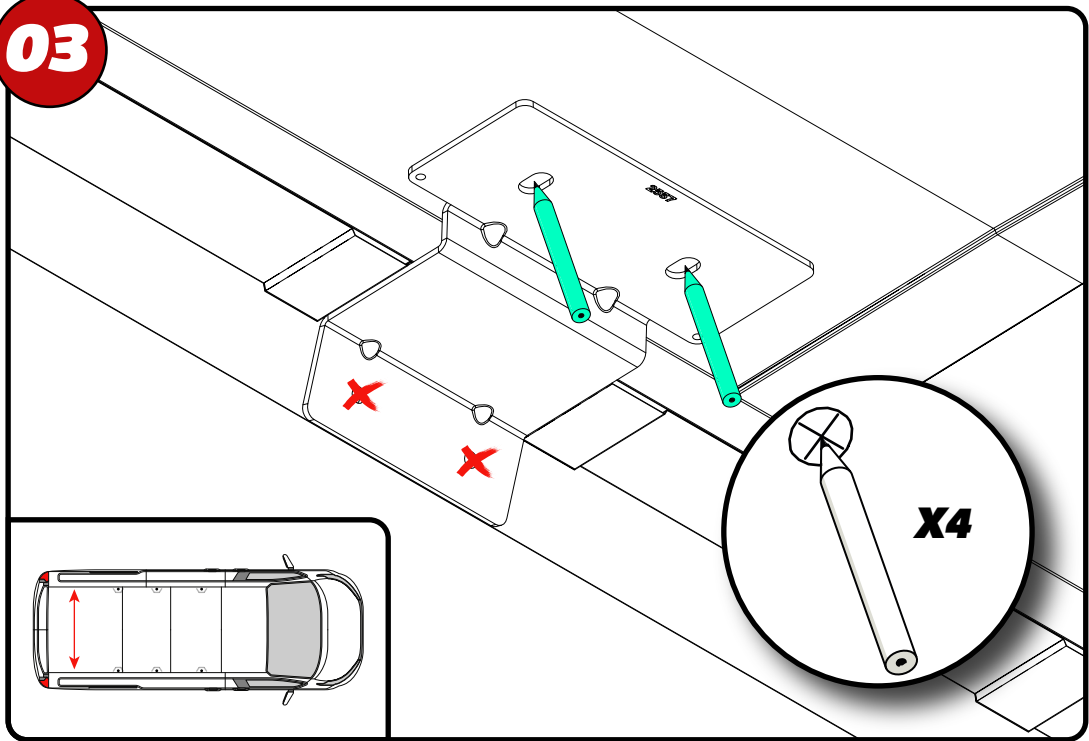
**L1H1**



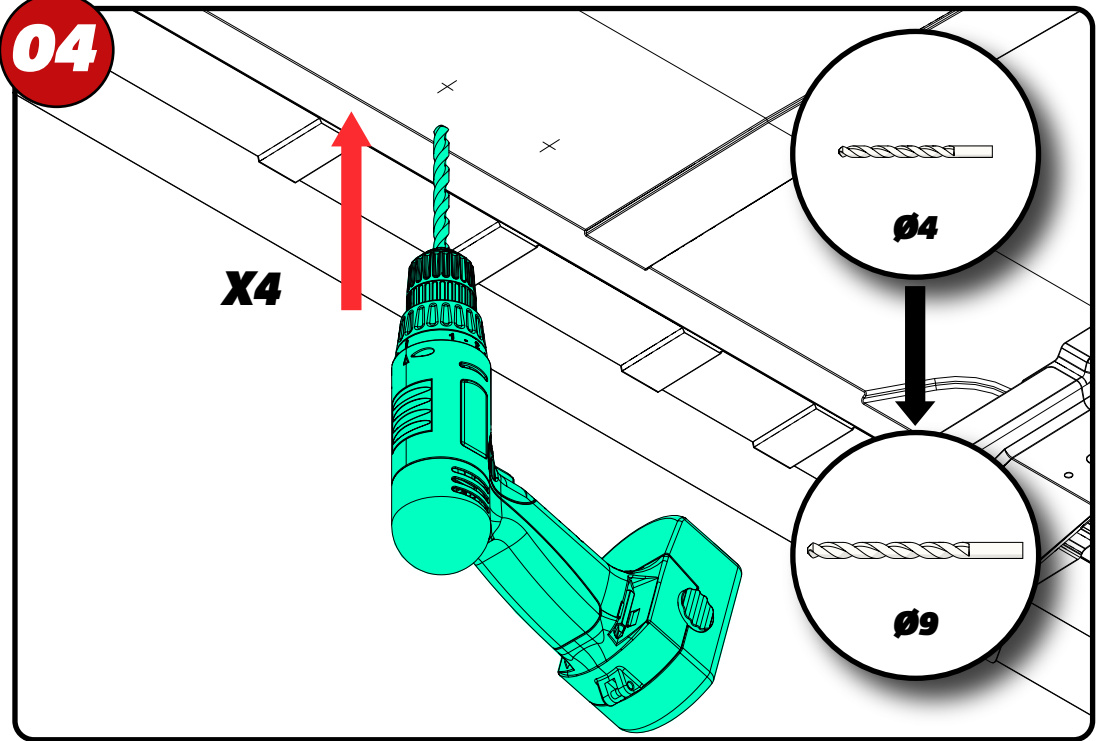
**L2H1**



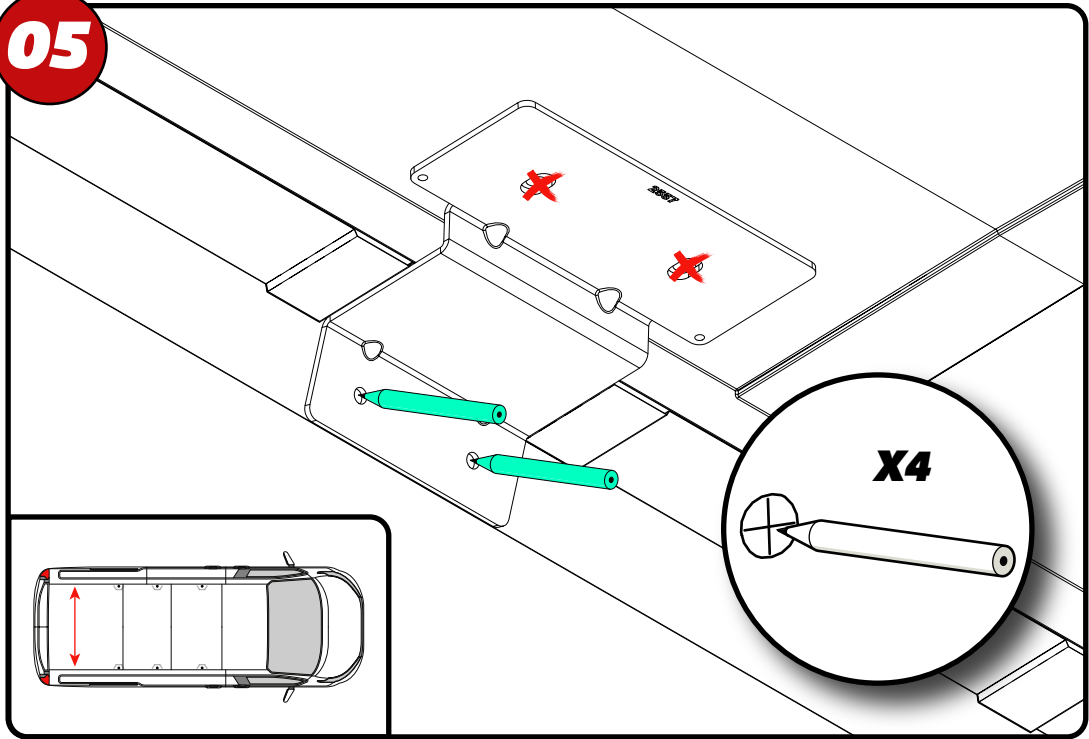
**03**



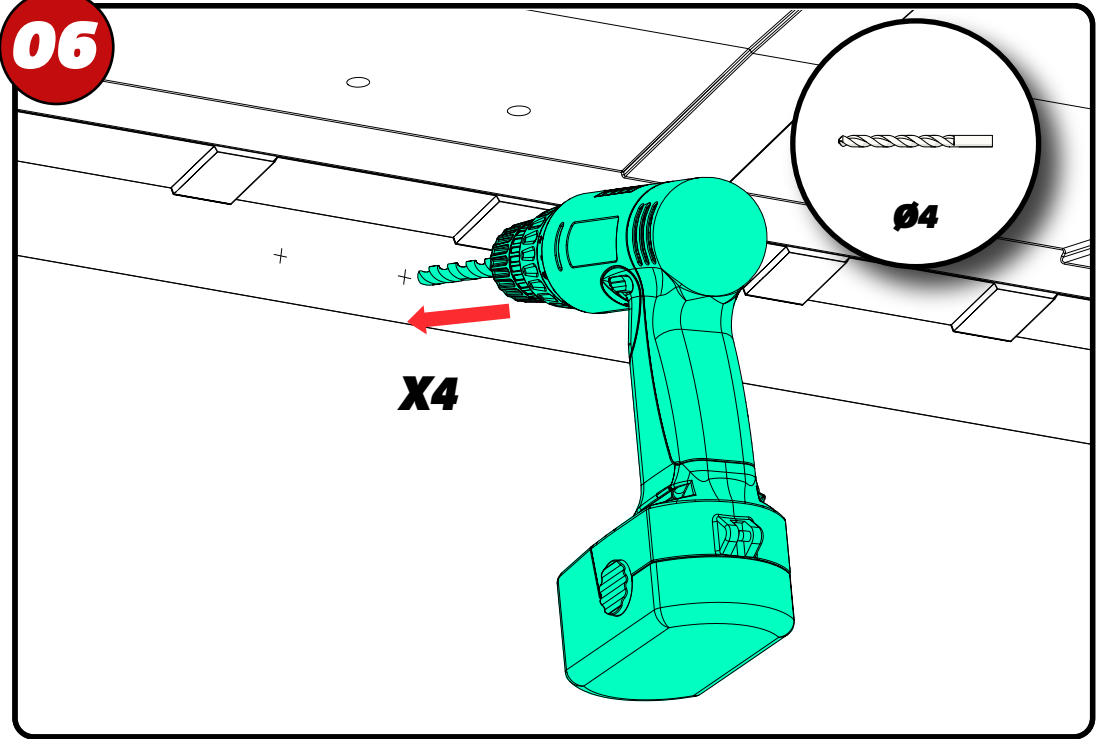
**04**



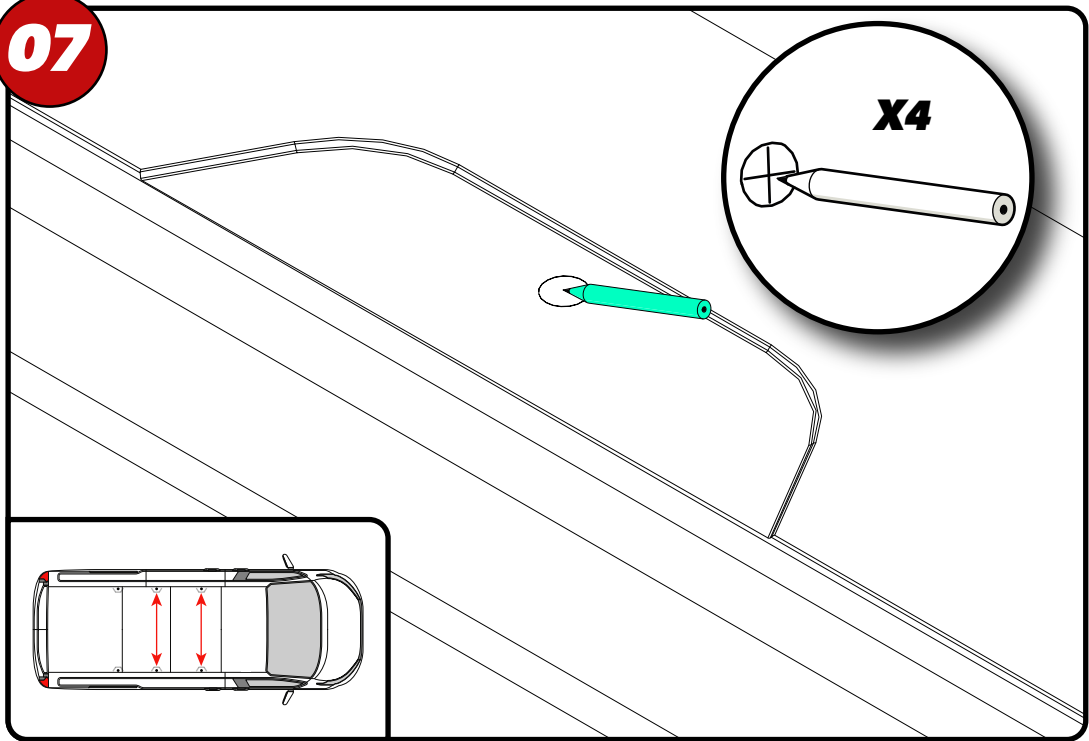
**05**



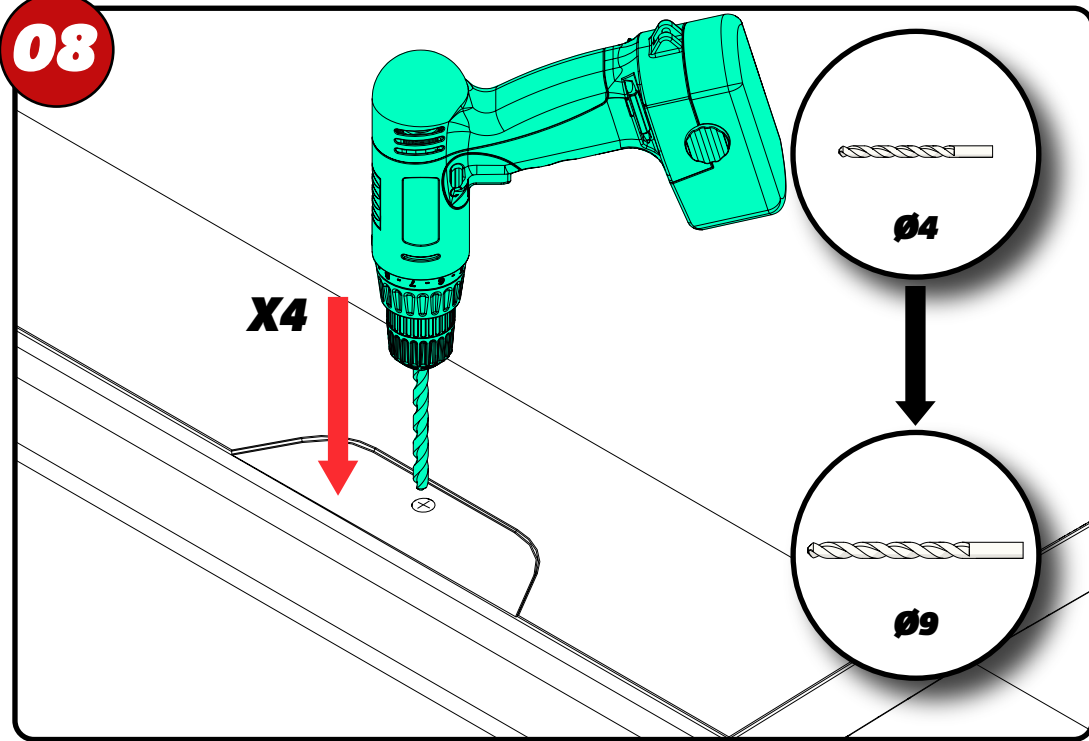
**06**



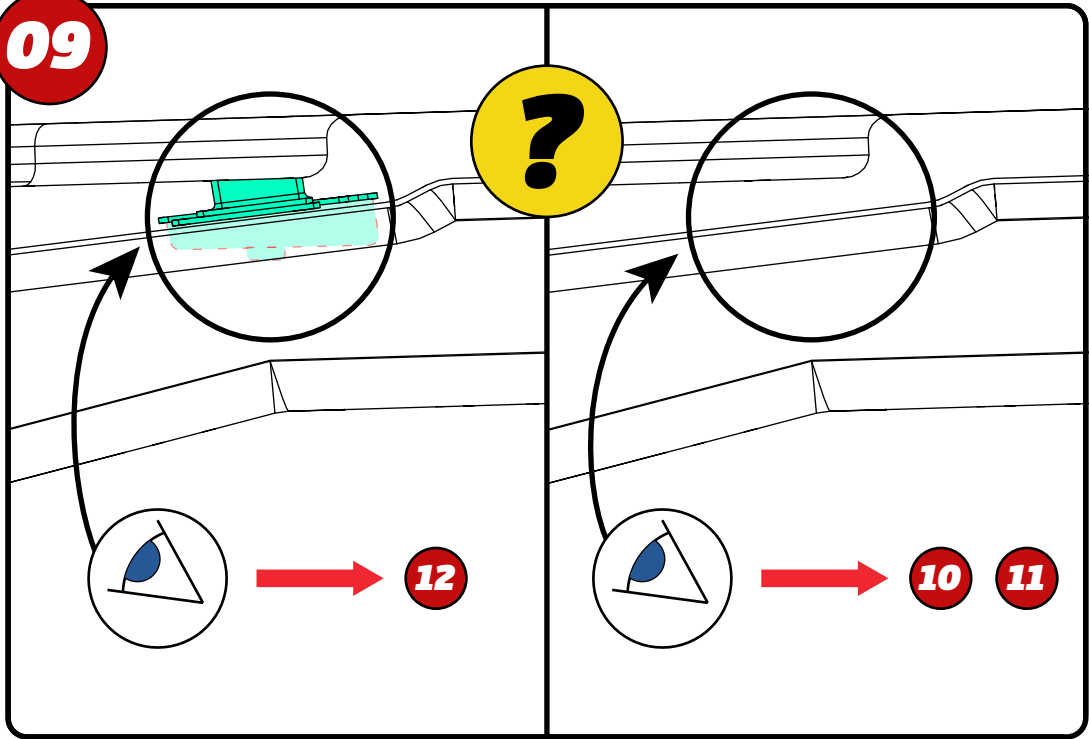
**07**



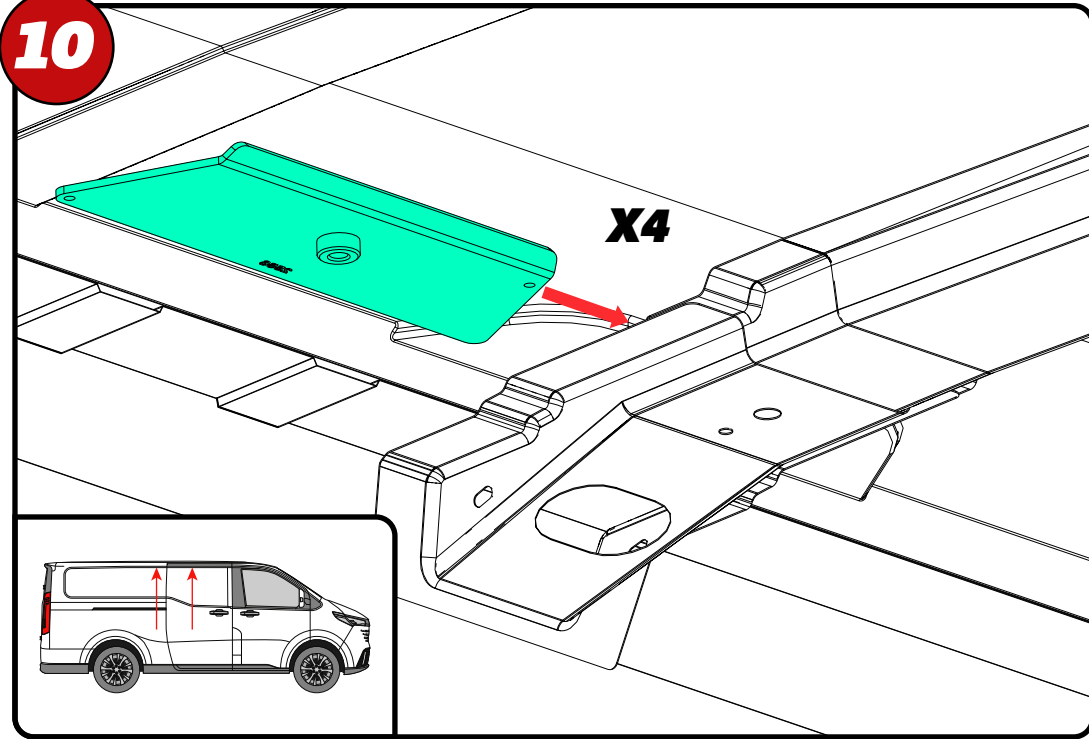
**08**

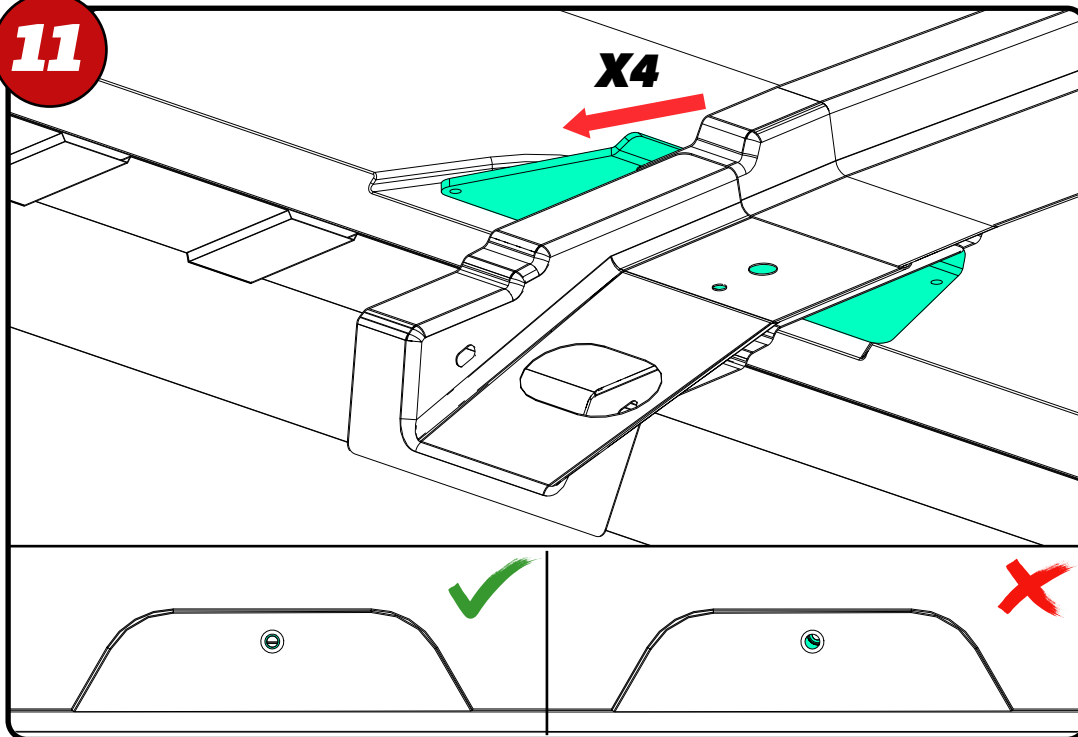
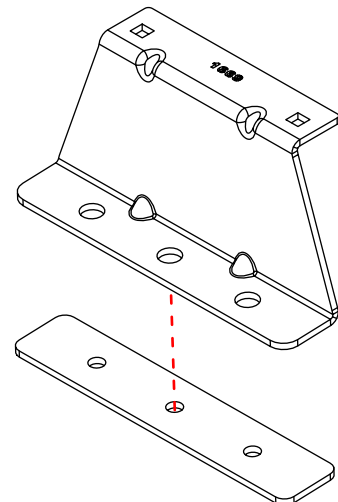
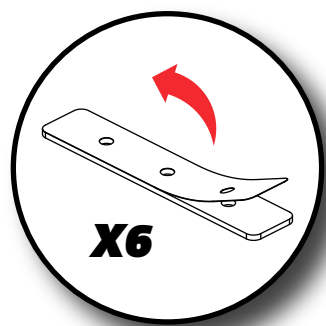


**09**



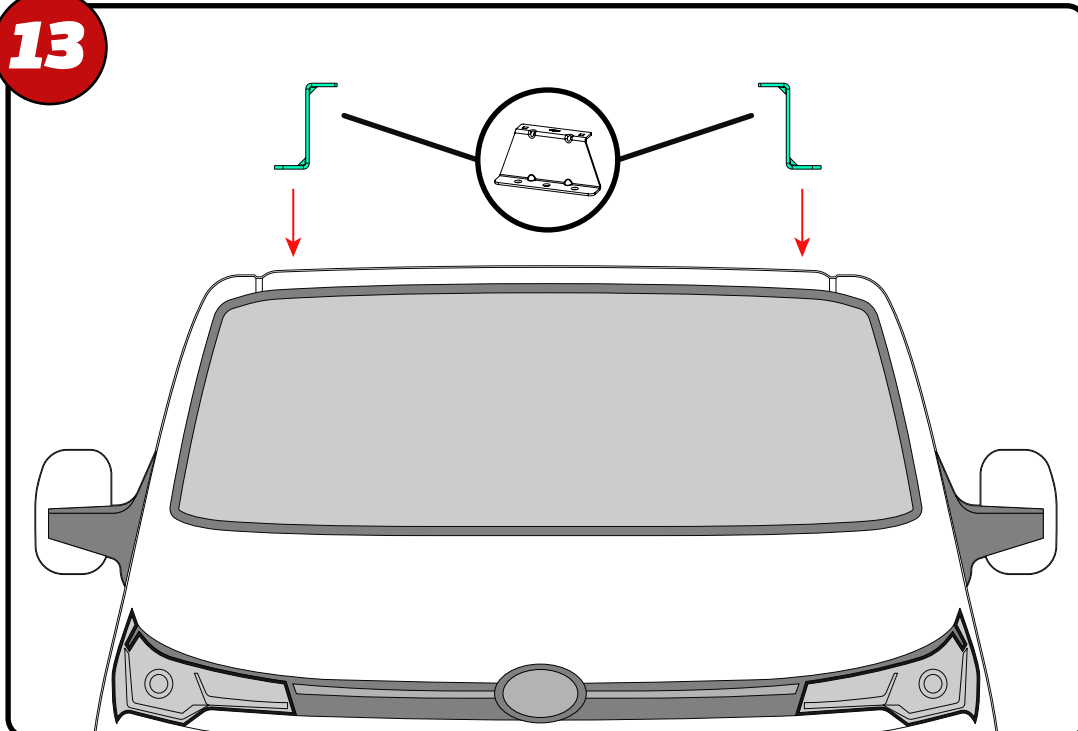
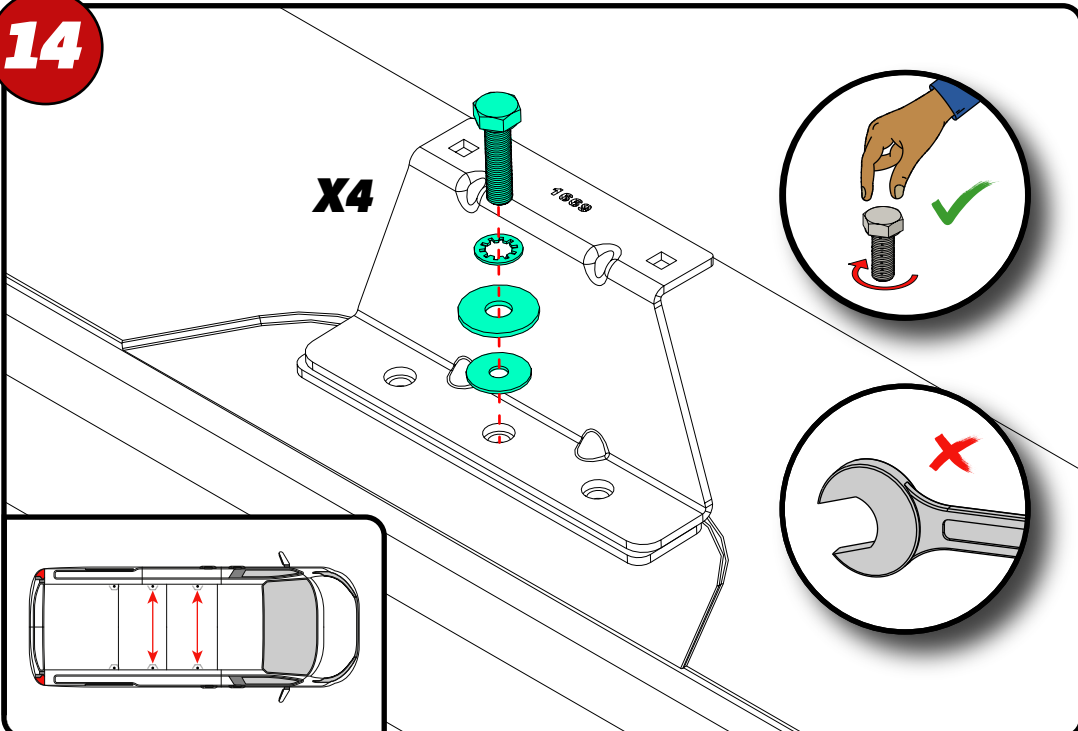
**10**



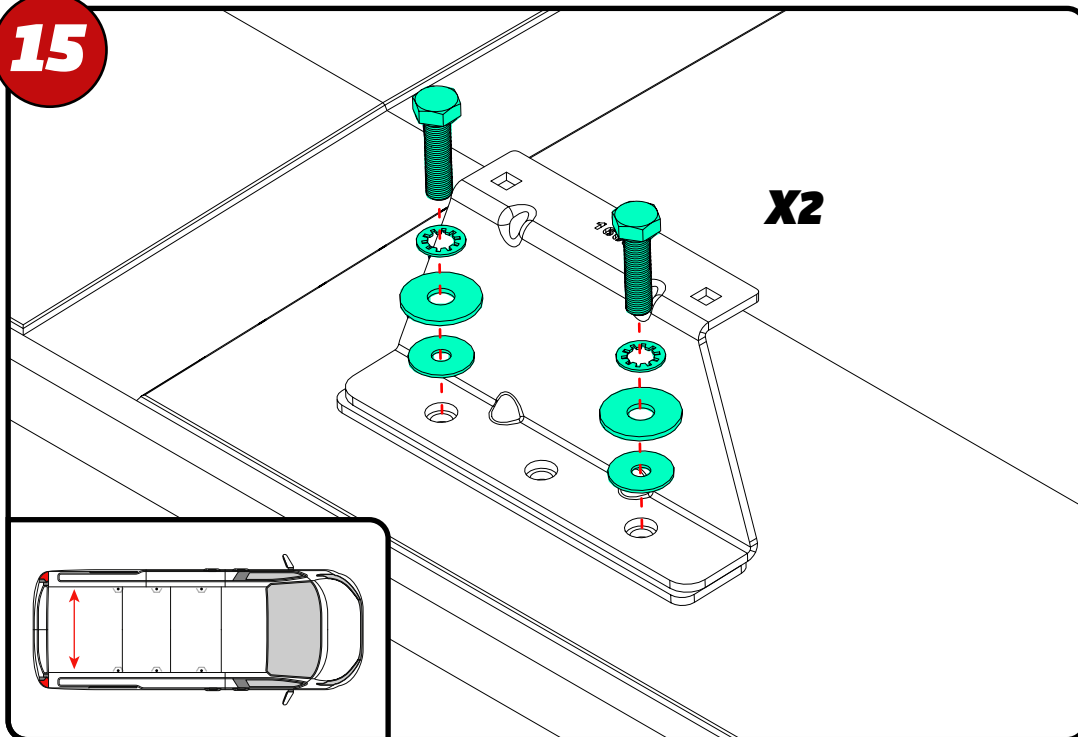
**11****12**

**EN** - STICK GASKETS TO ALL BRACKETS  
**DE** - KLEBEN SIE DIE DICHTUNG AN ALLEN HALTERUNGEN  
**FR** - COUSSINETS ADHÉSIFS À TOUS LES SUPPORTS  
**NL** - PLAK PAKKING OP ALLE BEUGELS  
**ES** - PEGA LAS ALMOHADILLAS A TODOS LOS SOPORTES  
**IT** - ADESIVI GUARNIZIONI A TUTTE LE STAFFE

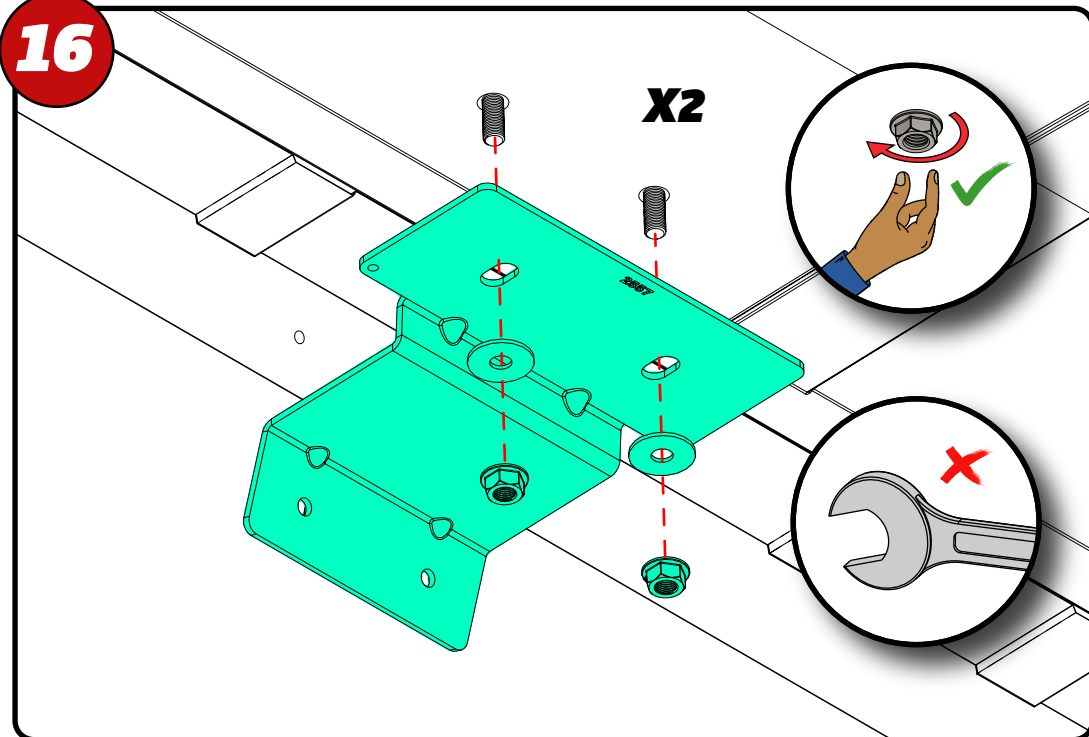
**SV** - FÄST GUMMI PÅ ALLA FÄSTEN  
**DA** - KLÆB GUMMI PÅ ALLE BESLAG  
**NO** - PLIST GUMMI PÅ ALLE BRAKKETER  
**PL** - NAKLEJ USZCZELKI DO WSZYSTKICH WSPORNIKÓW  
**CS** - PŘILEPTE TĚSNĚNÍ NA VŠECHNY DRŽÁKY

**13****14**

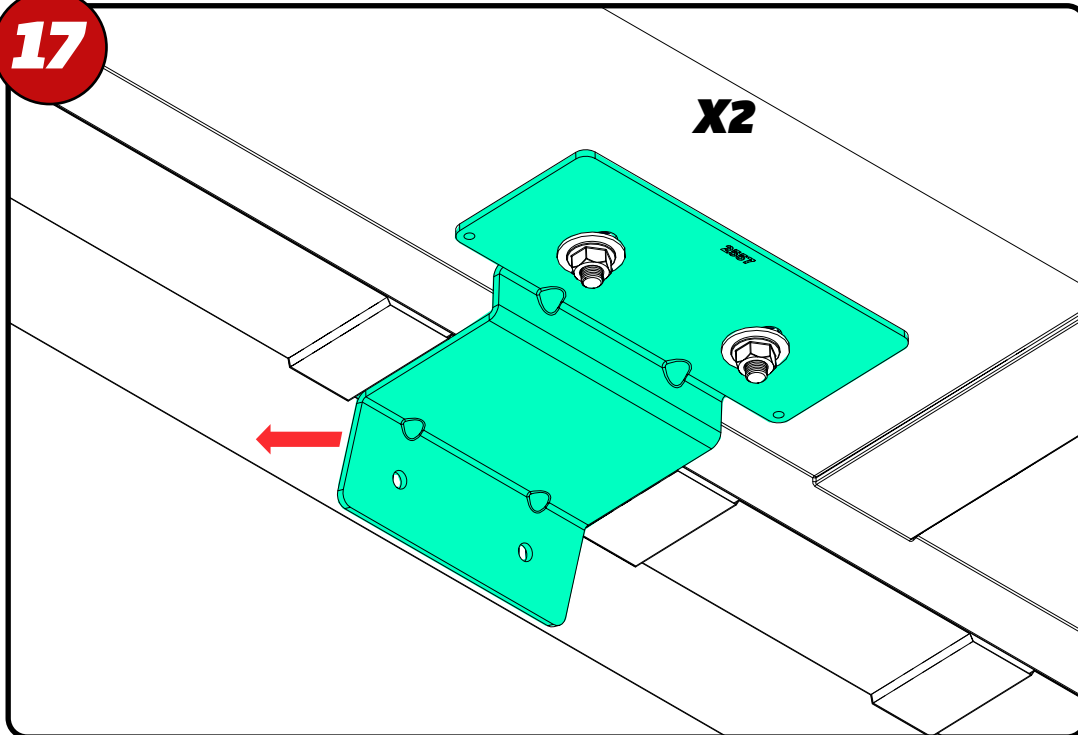
15



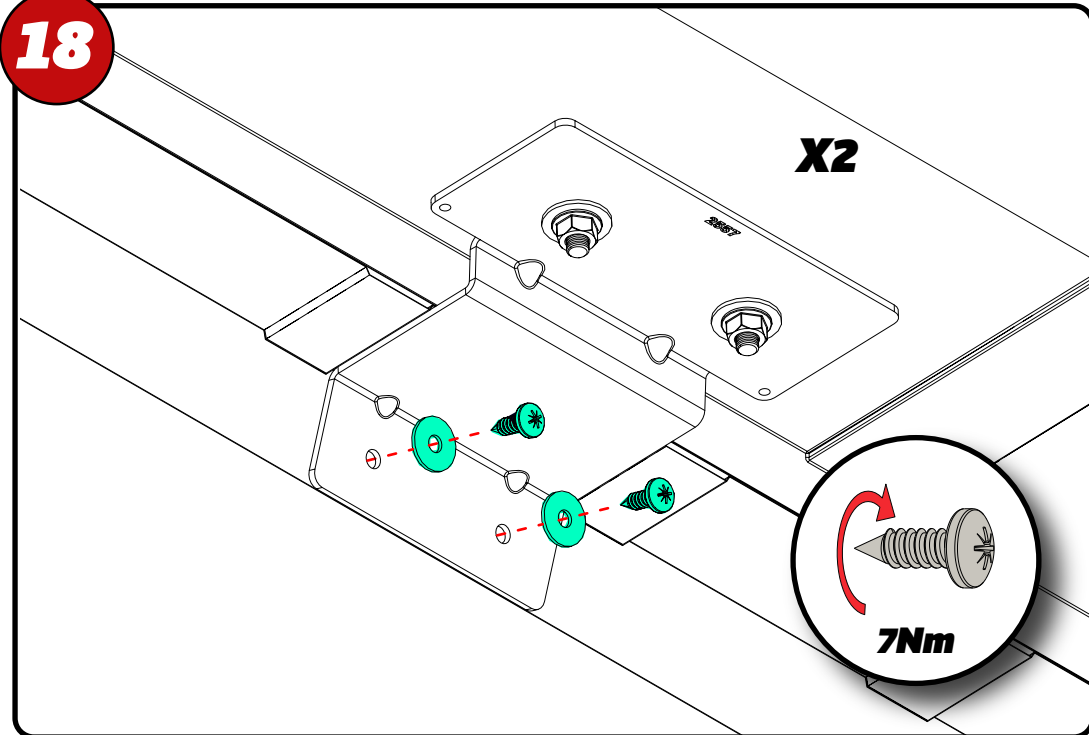
16



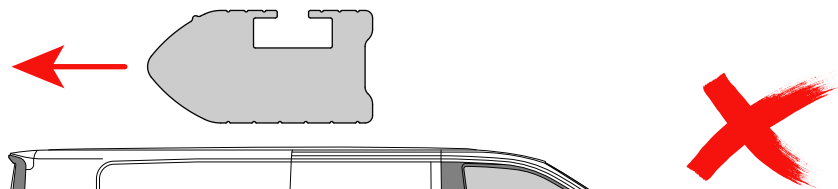
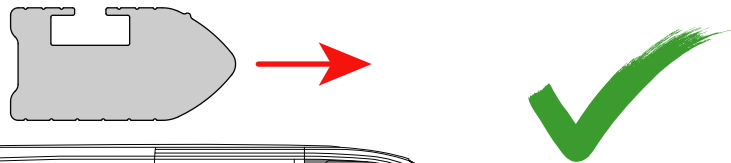
17



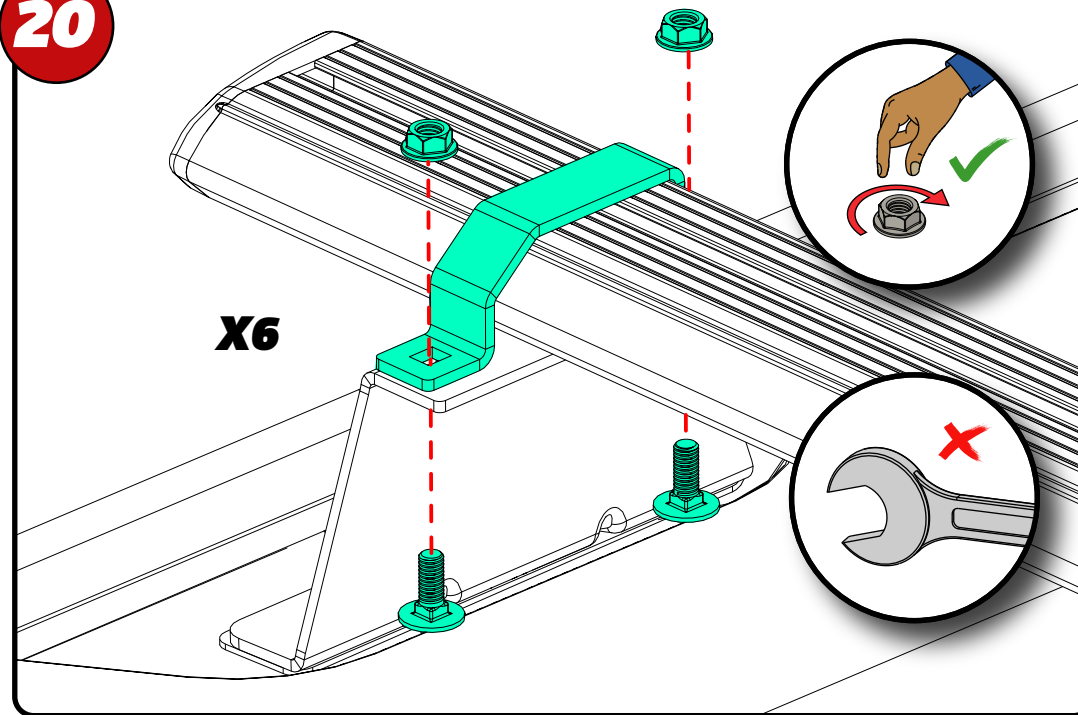
18



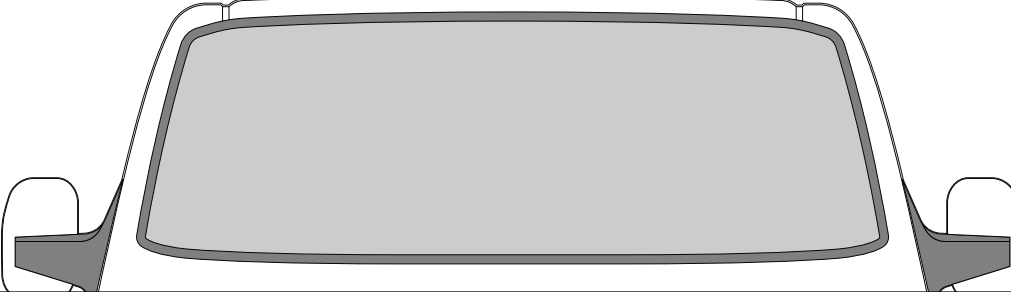
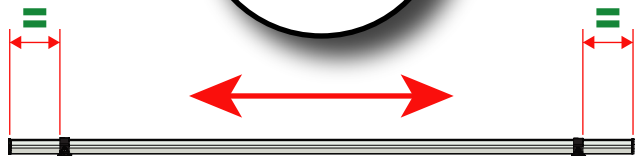
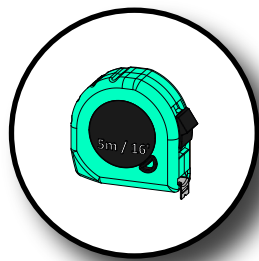
19



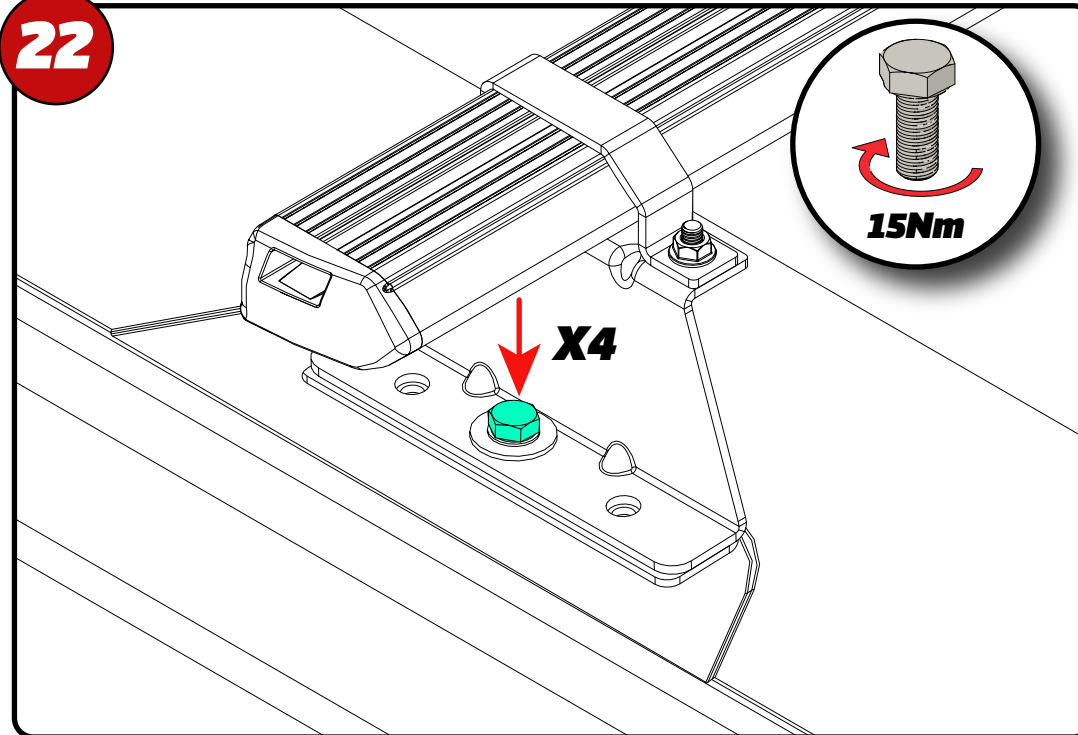
20



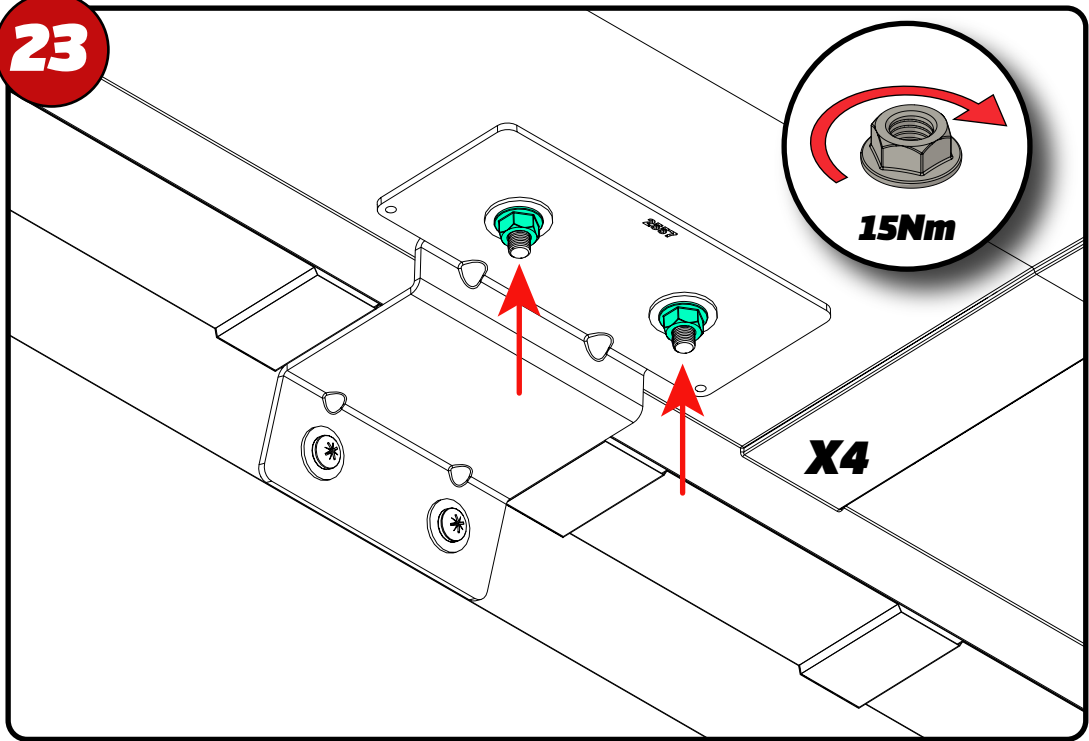
21



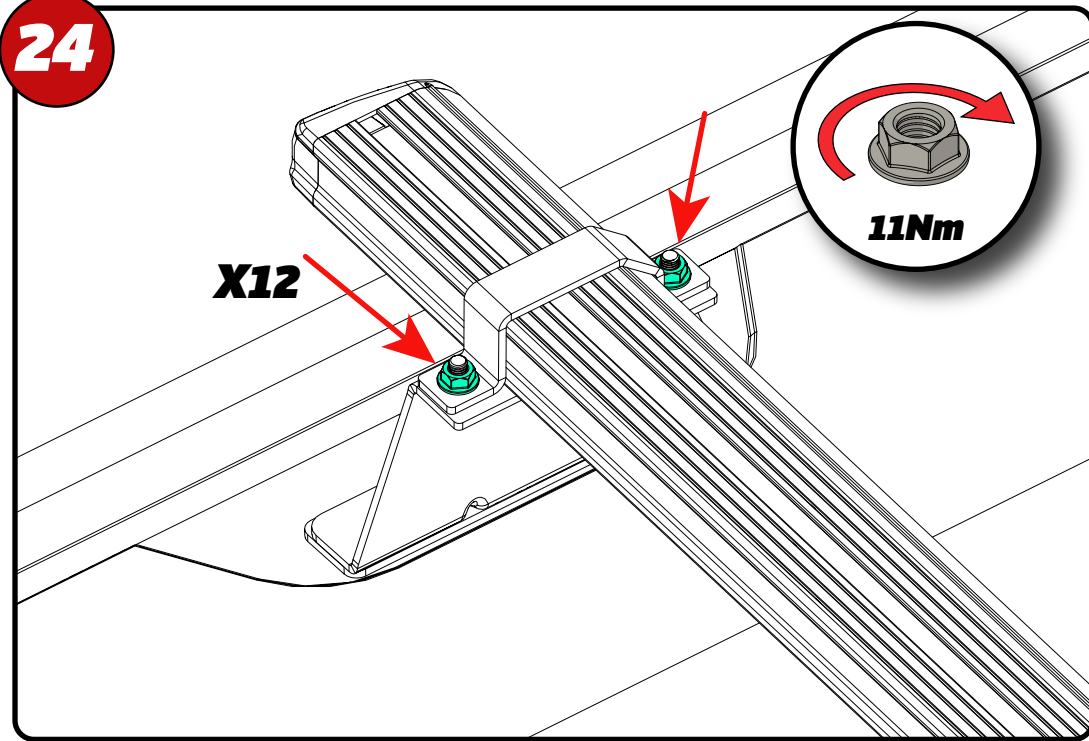
22



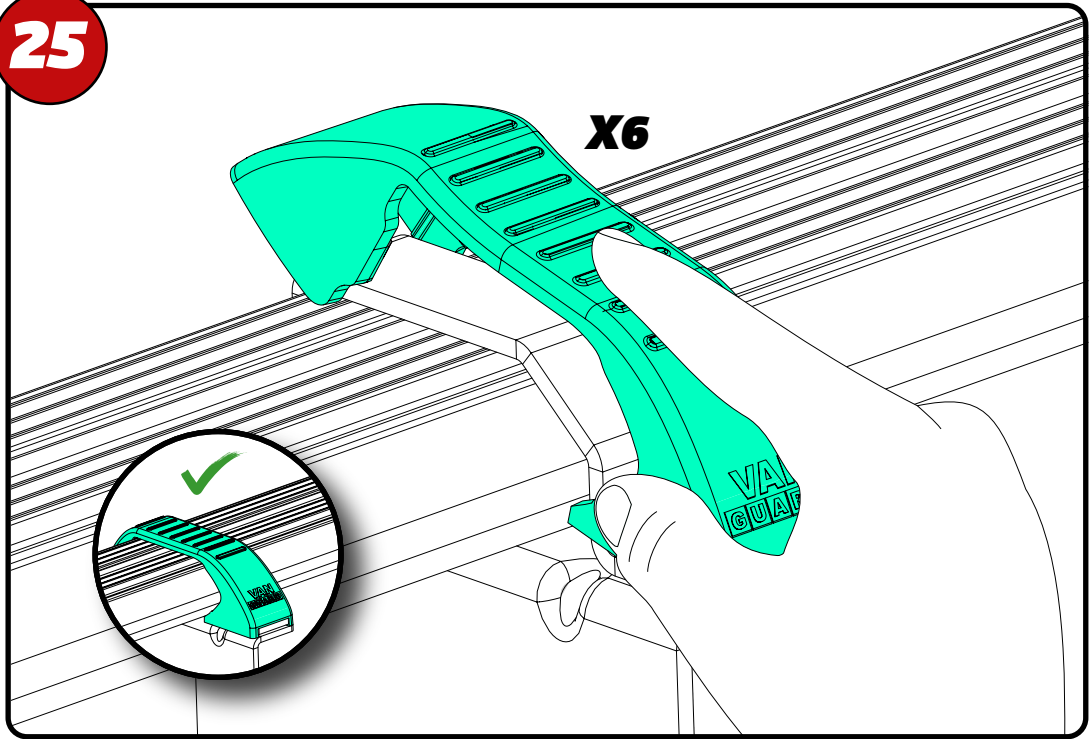
**23**



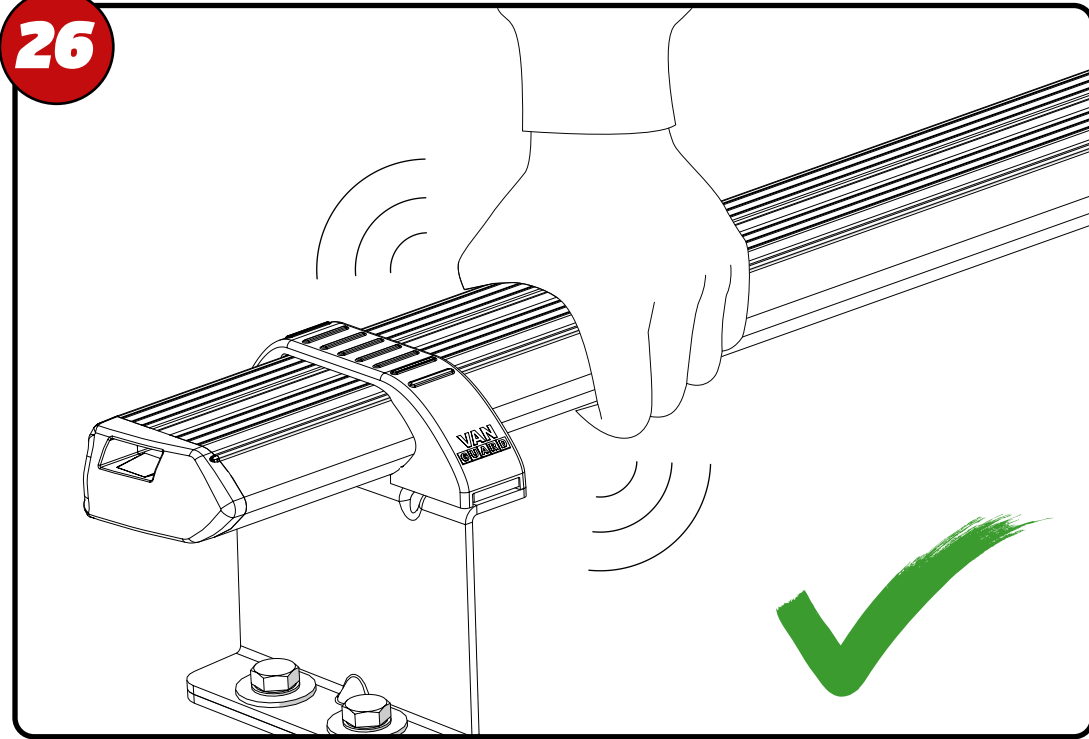
**24**

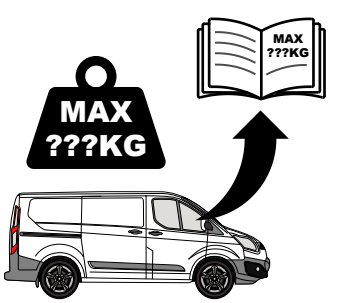


**25**



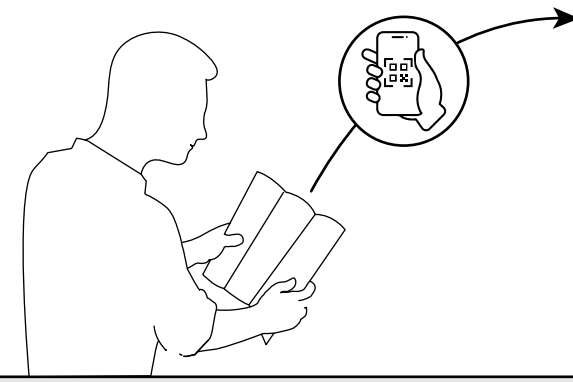
**26**





**MAX  
???KG**

<b>ULTI Bar Trade</b> (Steel)	<b>ULTI Bar+</b> (Aluminium)
  <b>X1</b>	  <b>X1</b>



**EN** - SAFETY AND PRODUCT INFORMATION  
**DE** - SICHERHEITS- UND PRODUKTINFORMATIONEN  
**FR** - INFORMATIONS DE SÉCURITÉ ET DU PRODUIT  
**NL** - VEILIGHEIDS- EN PRODUCTINFORMATIE  
**ES** - INFORMACIÓN DE SEGURIDAD Y DEL PRODUCTO  
**IT** - INFORMAZIONI SULLA SICUREZZA E SUL PRODOTTO

**SV** - SÄKERHETS- OCH PRODUKTINFORMATION  
**DA** - SIKKERHEDS- OG PRODUKTINFORMATION  
**NO** - SIKKERHETS- OG PRODUKTINFORMASJON  
**PL** - INFORMACJE O BEZPIECZENSTWIE I PRODUKCIE  
**CS** - INFORMACE O BEZPEČNOSTI A PRODUKTU