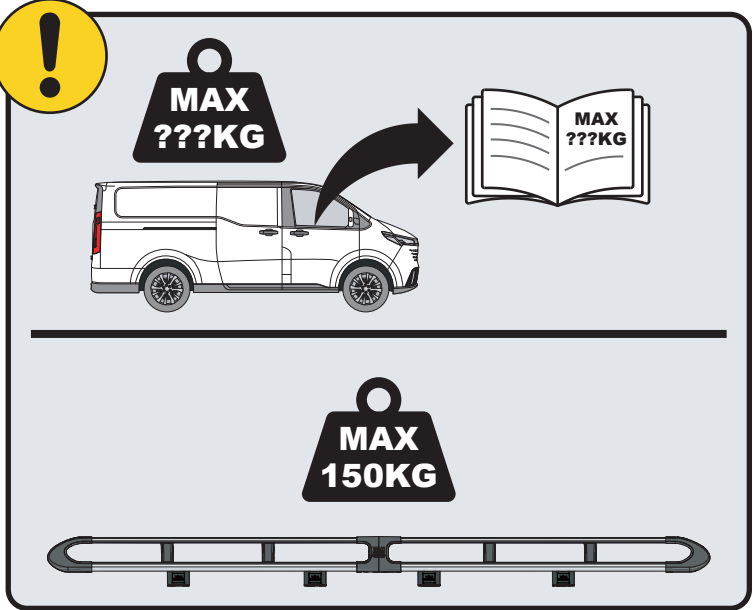
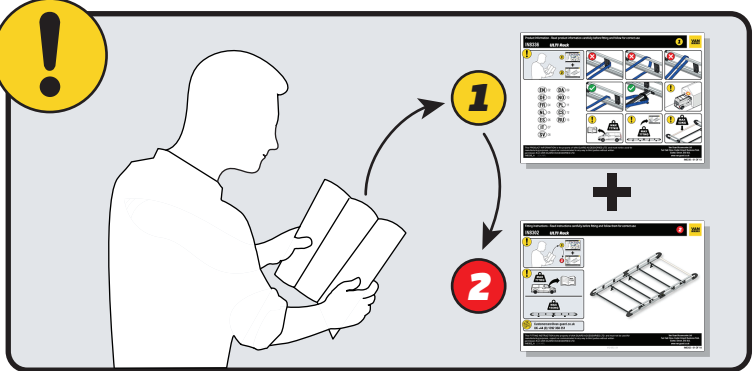


IN8469

ULTI Rack+



 Customercare@van-guard.co.uk
UK +44 (0) 1392 368 351



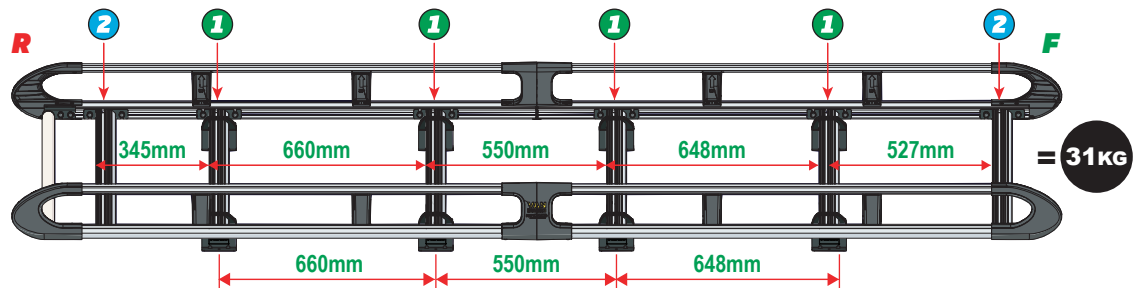
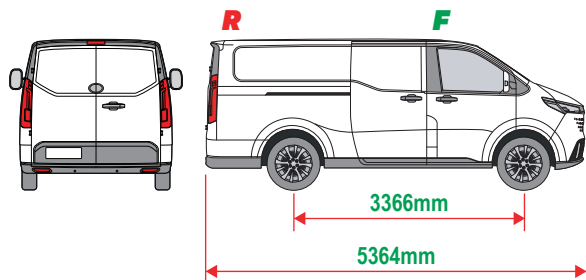
This FITTING INSTRUCTION is the property of VAN GUARD ACCESSORIES LTD. and must not be used for manufacturing purposes, copied nor communicated in any way to third parties without written permission from VAN GUARD ACCESSORIES LTD.
IN8469_B (CN:01115)

Van Guard Accessories Ltd
Fair Oak Close, Exeter Airport Business Park,
Exeter, Devon, EX5 2UL
www.van-guard.co.uk

THIS INSTRUCTION COVERS THE FOLLOWING MODELS - CHECK YOU ARE FITTING THE CORRECT MODEL BEFORE PROCEEDING

VGUR-305

Maxus Deliver 7: 2023 on
L2H1
Twin Rear Doors



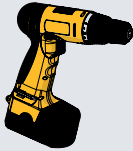
SUPPLIED COMPONENTS - CHECK ALL PARTS ARE PRESENT AND CORRECT BEFORE PROCEEDING (1 OF 2)

TOOLS REQUIRED

10MM X1



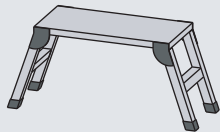
13MM X2



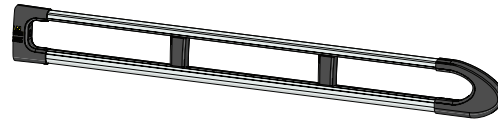
Ø4 & Ø9



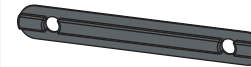
SCREWDRIVER X1



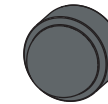
AS3541 X2
(3000 / A)



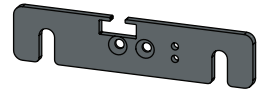
MA6118 X12



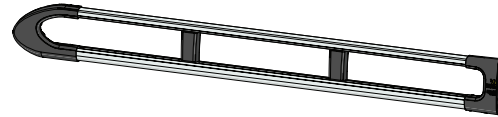
FX4241 X28



ME1622 X2



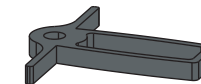
AS3540 X2
(3000 / B)



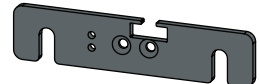
FX4008 X1



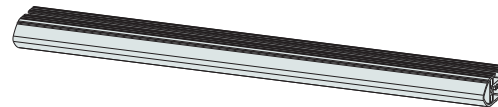
MA6145 X1



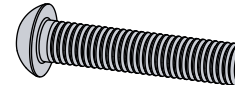
ME1623 X2



ME1627 X6
(1354mm)



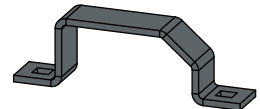
FX4001 X2
(M8X40)



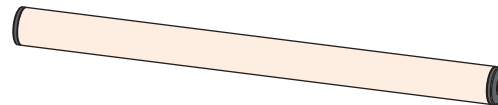
FX4235 X24
(M5X25)



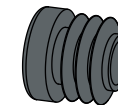
ME0203 X8



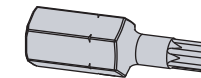
AS3159 X1
(1340mm)



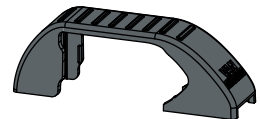
MA6007 X4



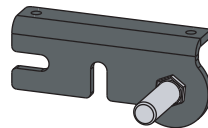
FX4248 X1
(T25)



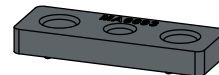
MA6065 X8



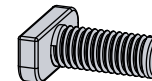
AS3590 X1



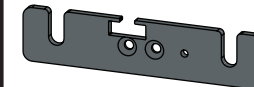
MA6093 X12



FX4239 X28
(M8X20)



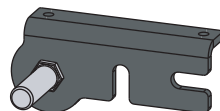
ME1620 X4



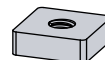
FX4016 X16
(M6)



AS3591 X1



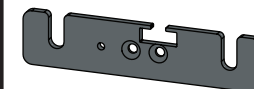
ME0316 X12



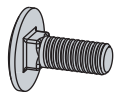
FX4240 X28
(M8)



ME1621 X4

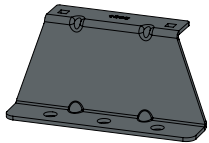


FX4042 X16
(M6X16)



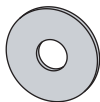
SUPPLIED COMPONENTS - CHECK ALL PARTS ARE PRESENT AND CORRECT BEFORE PROCEEDING (2 OF 2)

ME1669 X8

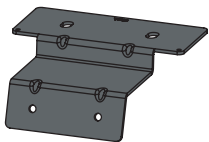


FX4013 X4

(M6)



ME2557 X2



FX4019 X10

(M8)



AS3855 X6



FX4039 X10

(M8X30)

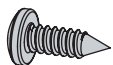


FX4011 X4

(M8)



FX4142 X4



FX4014 X10

(RUBBER)

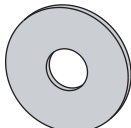


MA6136 X8



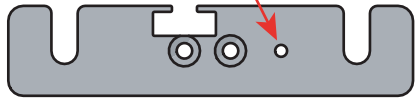
FX4040 X14

(M8)



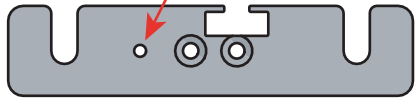
01

1L



X4

1R



X4

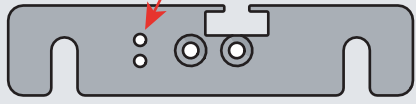


2L



X2

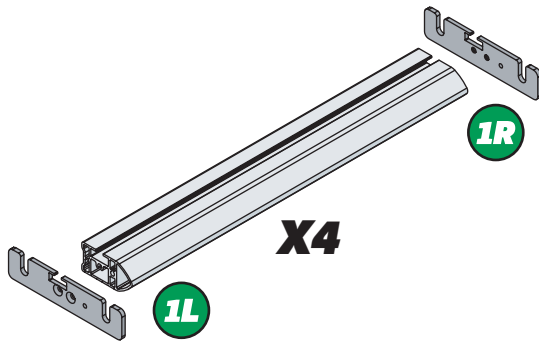
2R



X2

02

1R

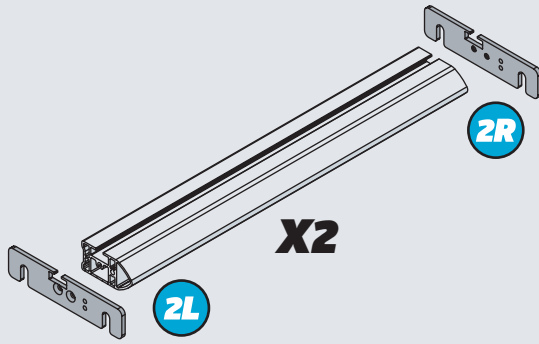


X4

1L



2R



X2

2L



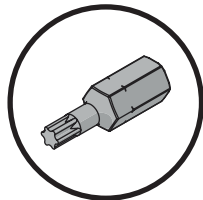
03

01

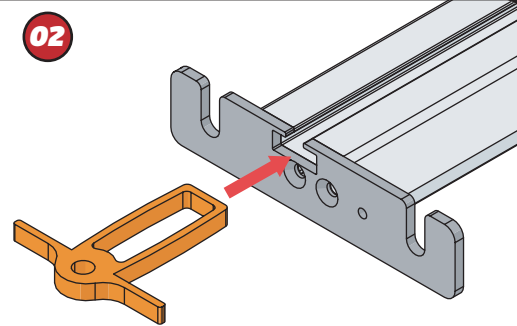
FX4248



+



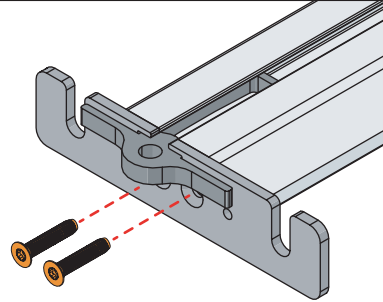
02



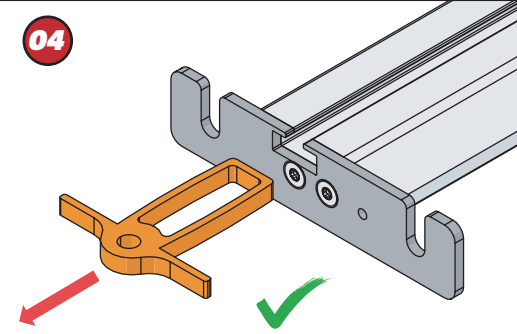
03



11Nm



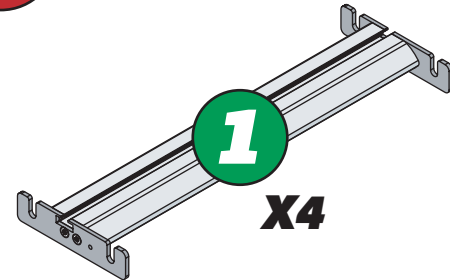
04



04

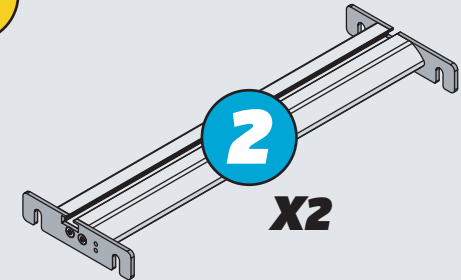


1

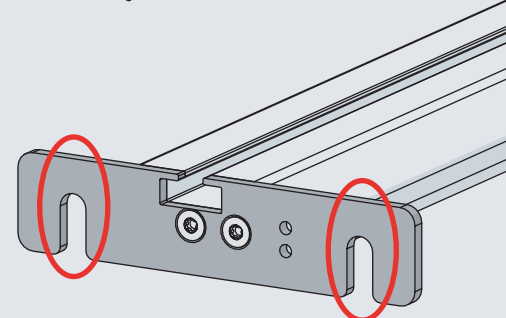
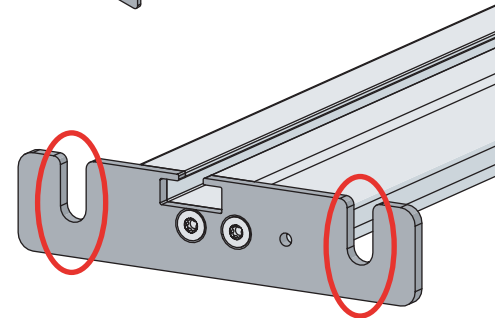


X4

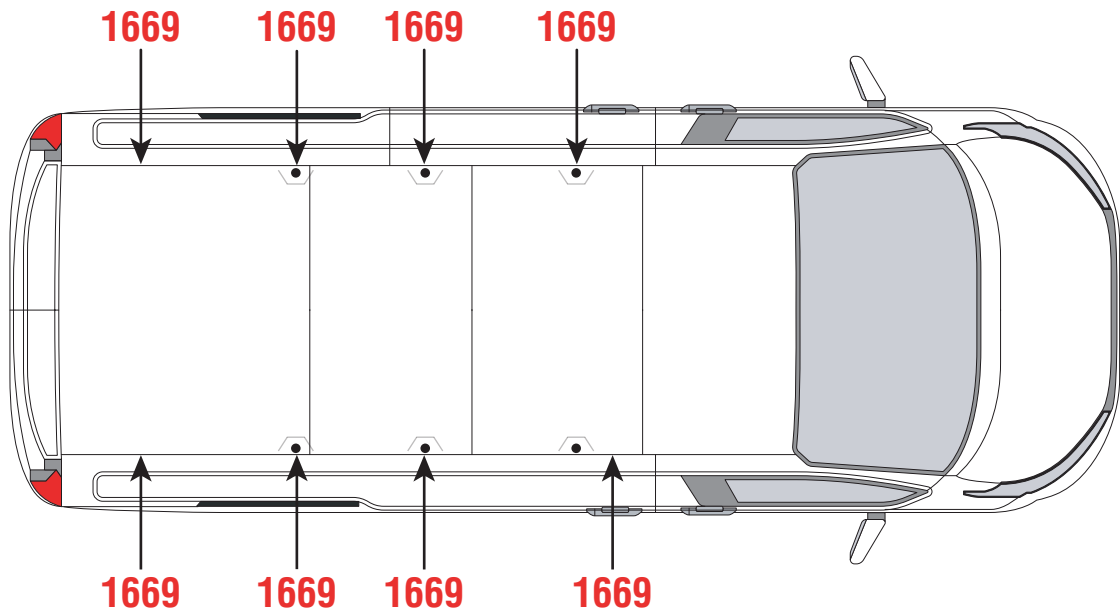
2



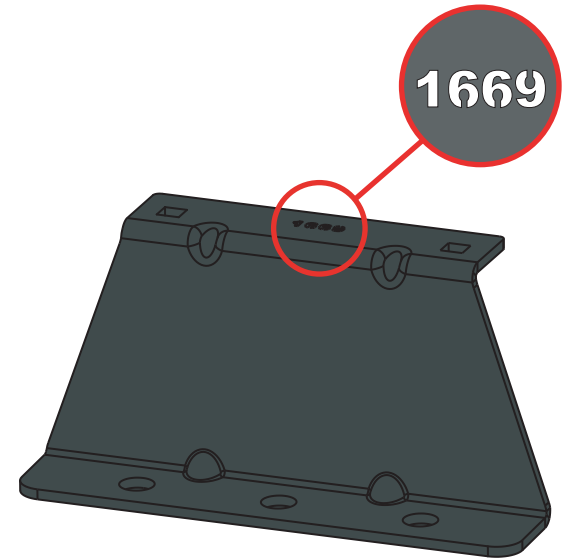
X2



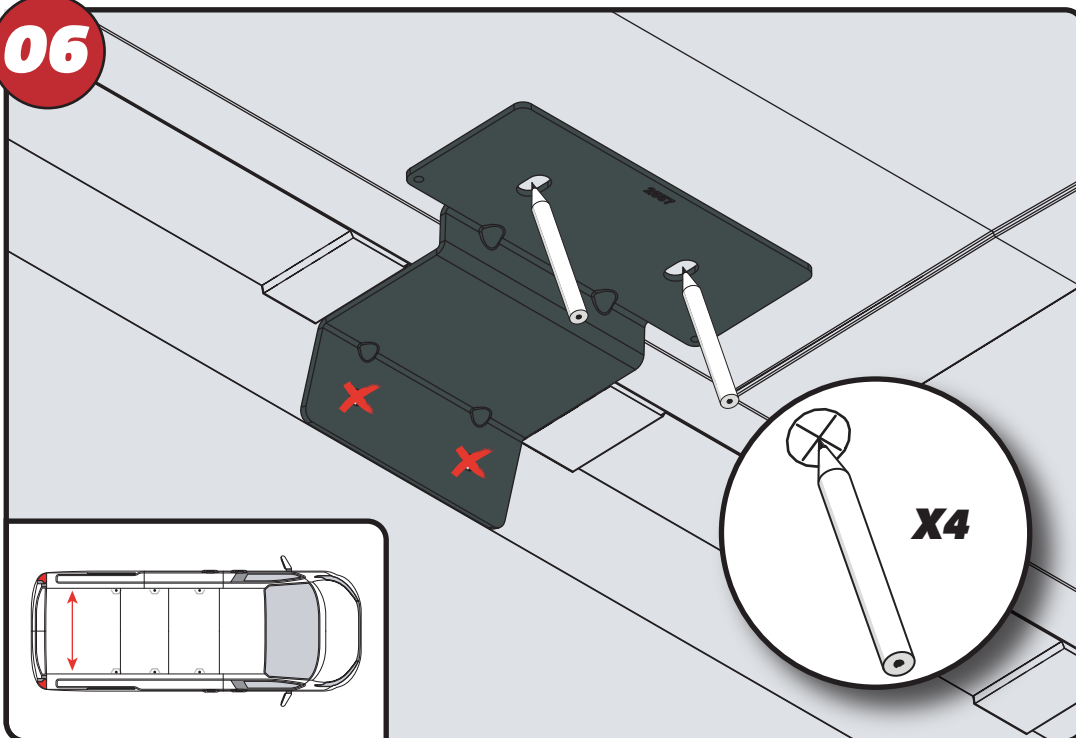
05



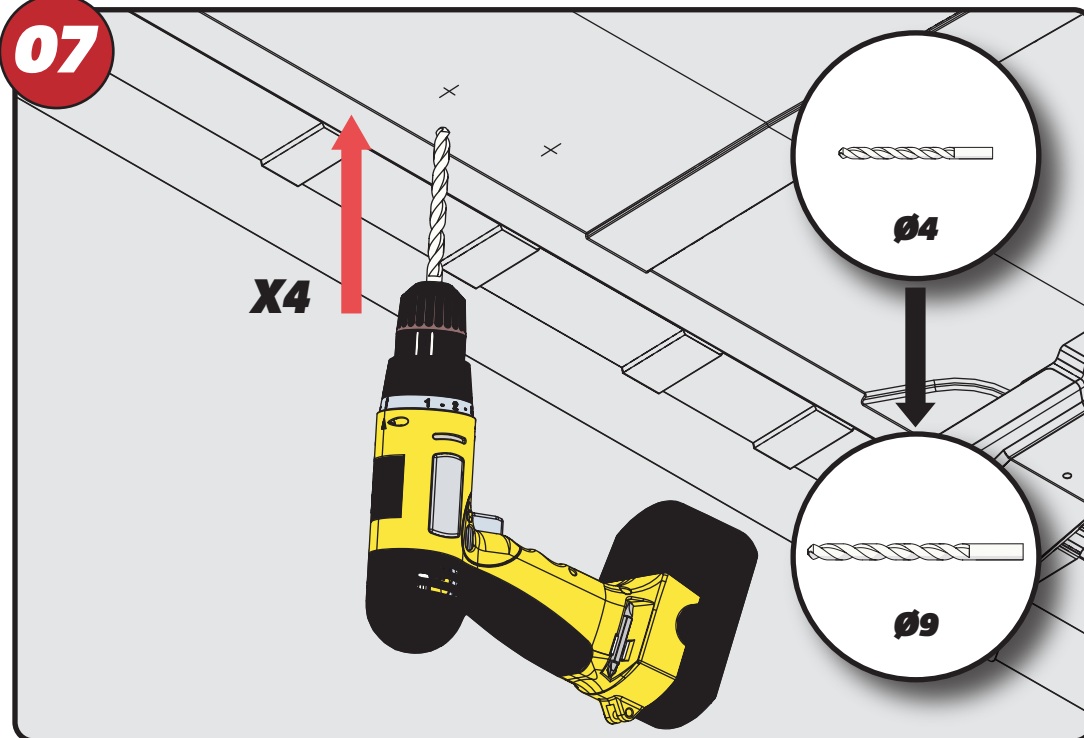
1669



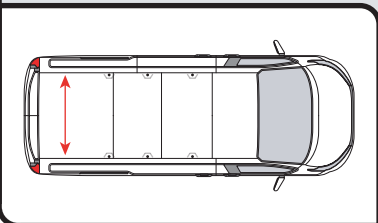
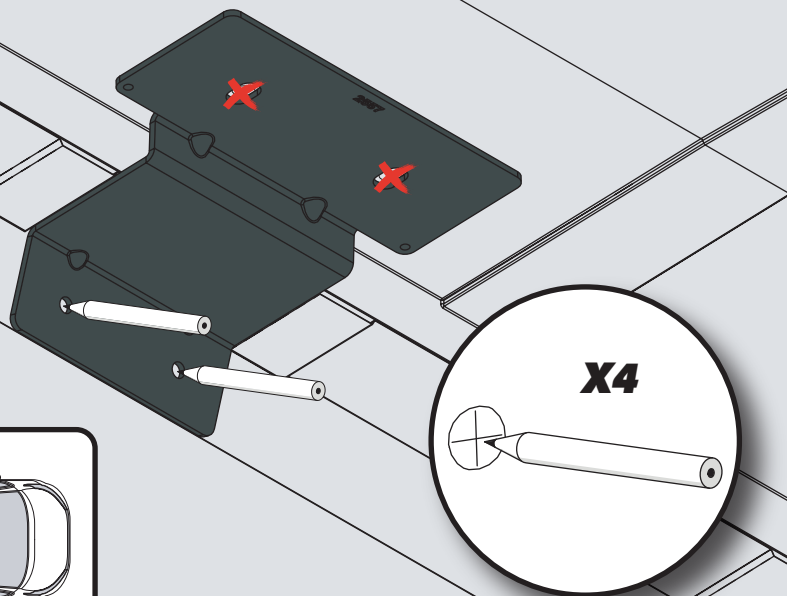
06



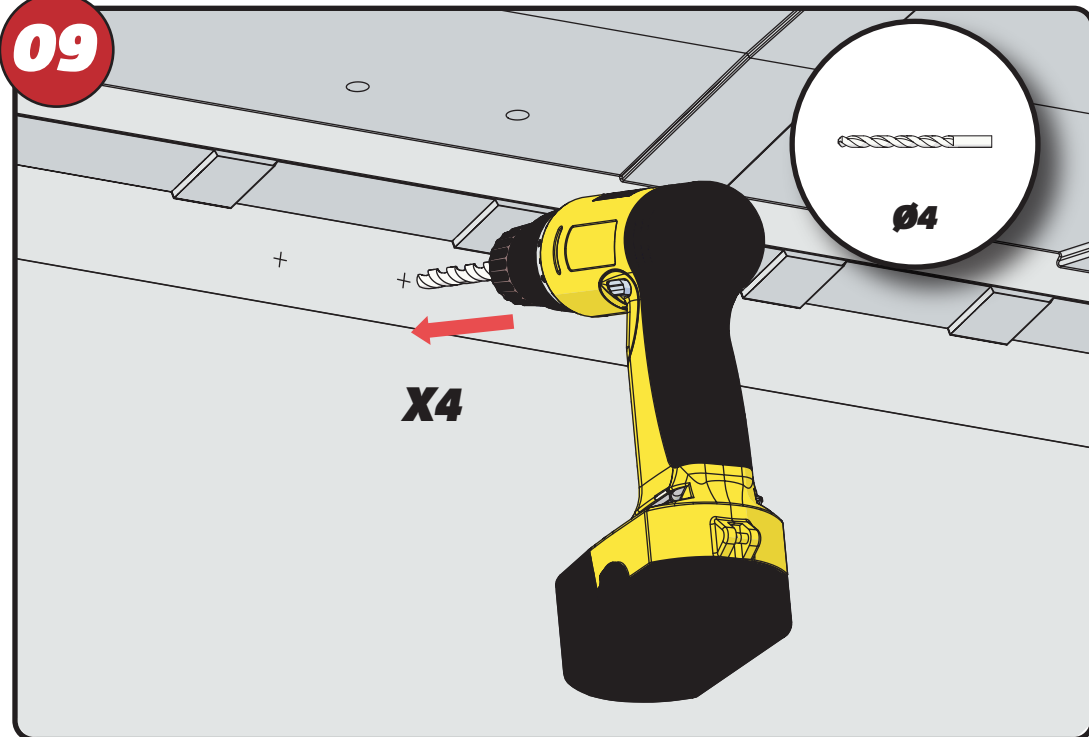
07



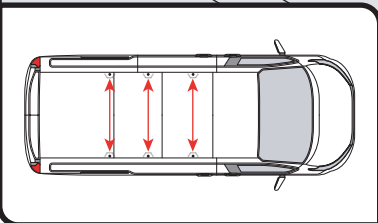
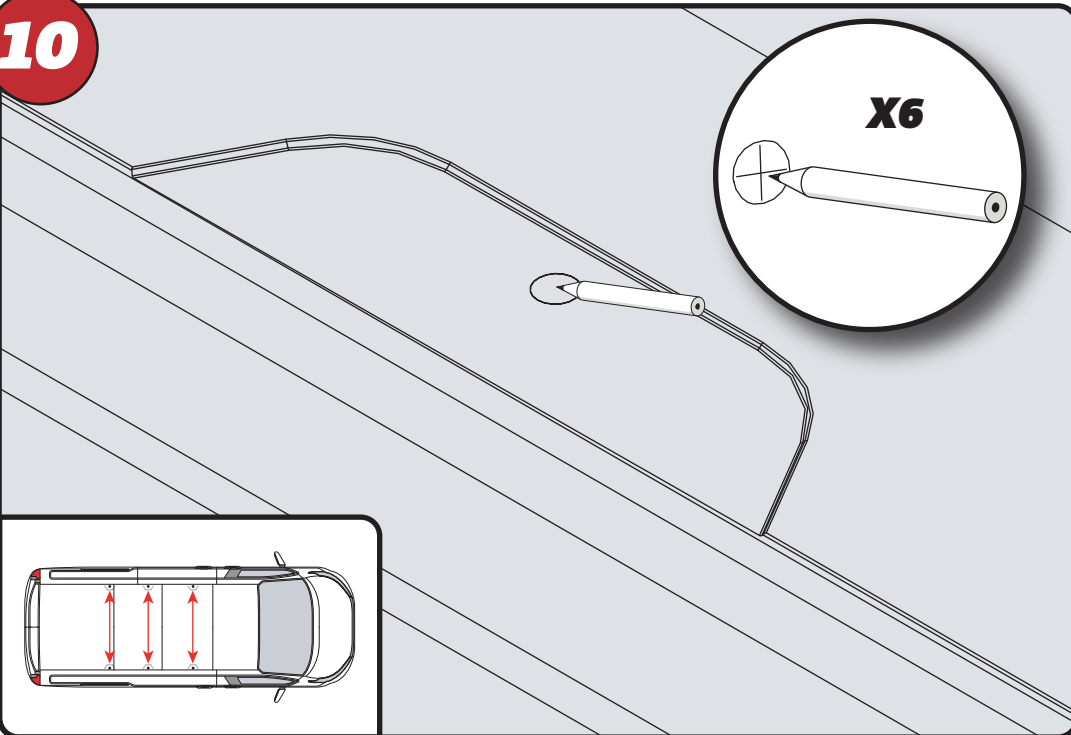
08



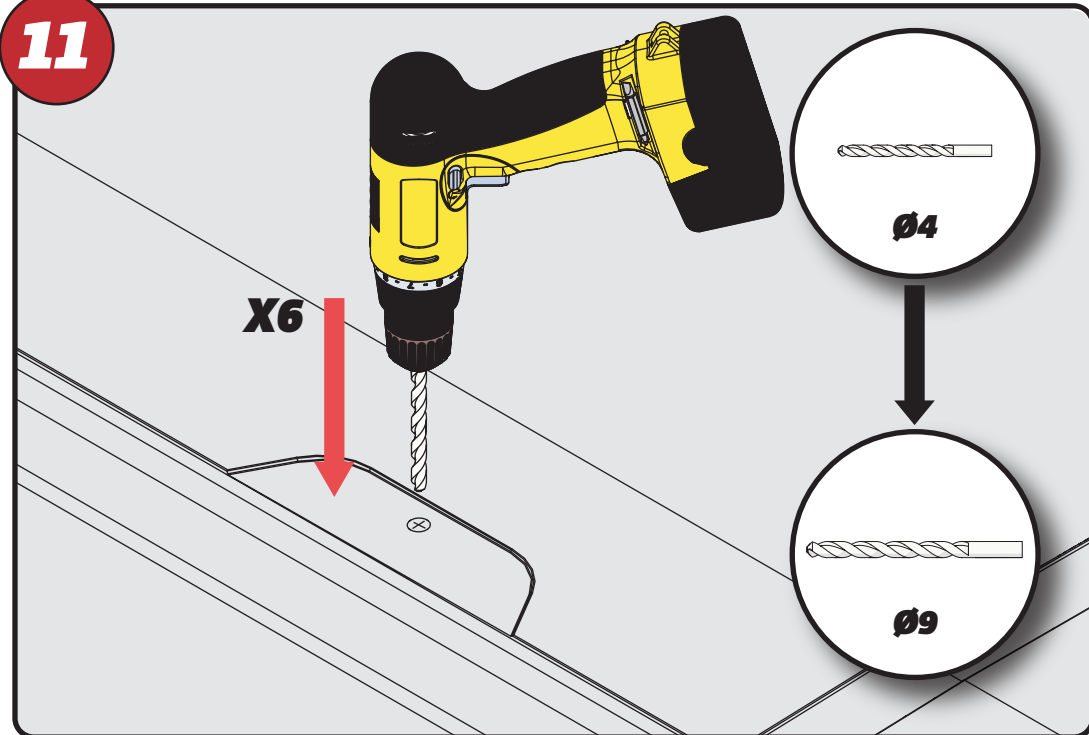
09

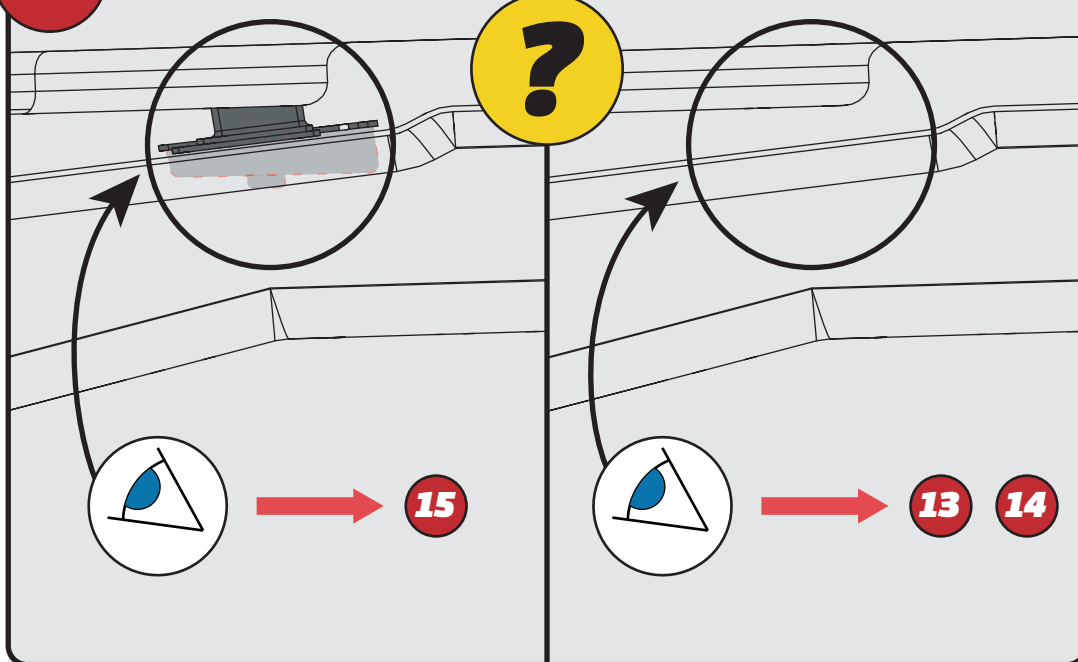
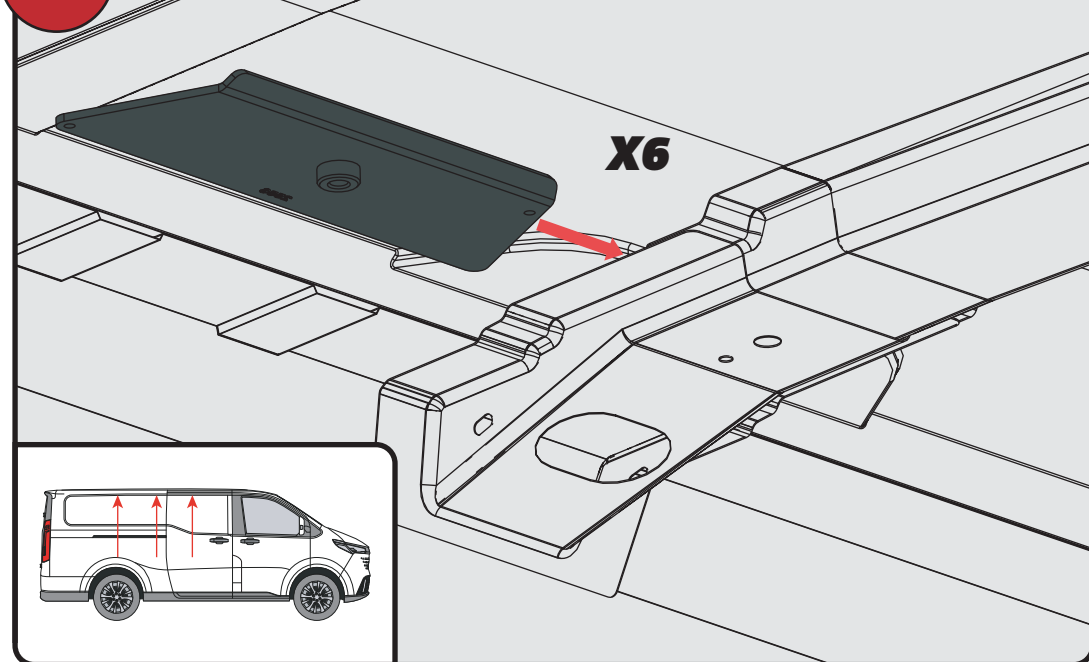
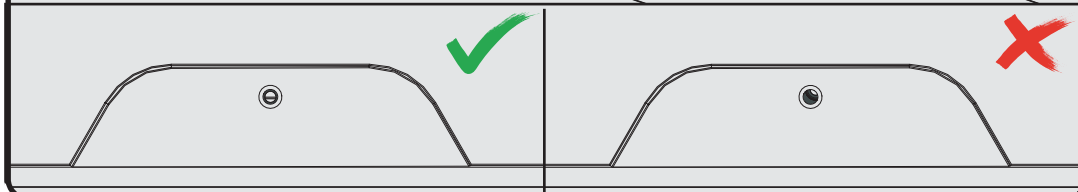
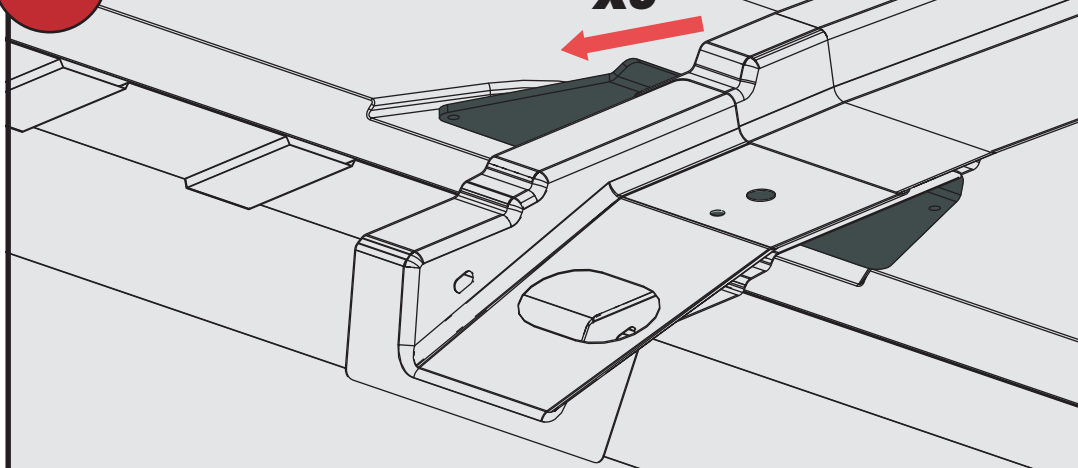
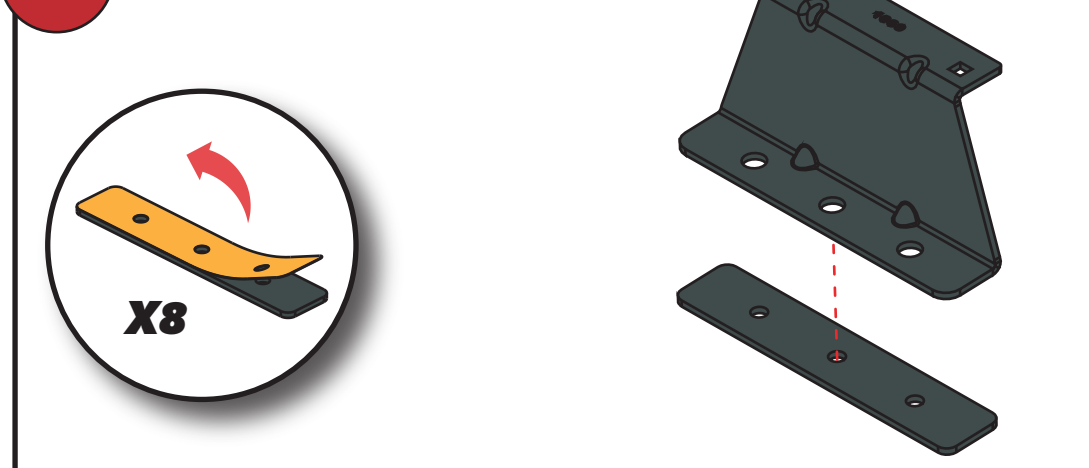


10



11

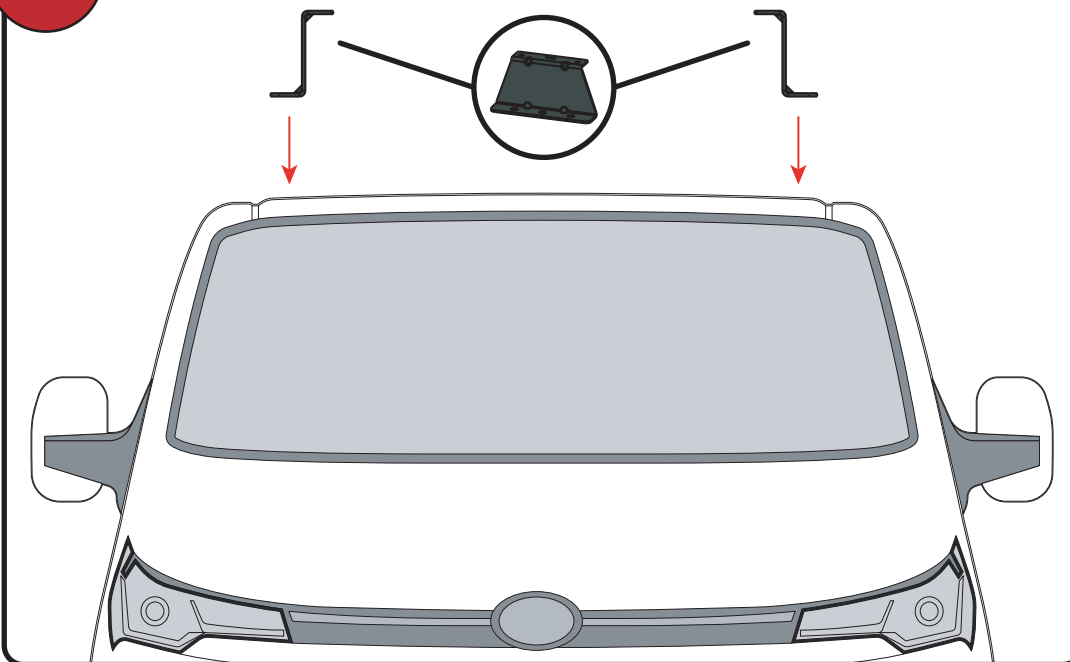


12**13****14****15**

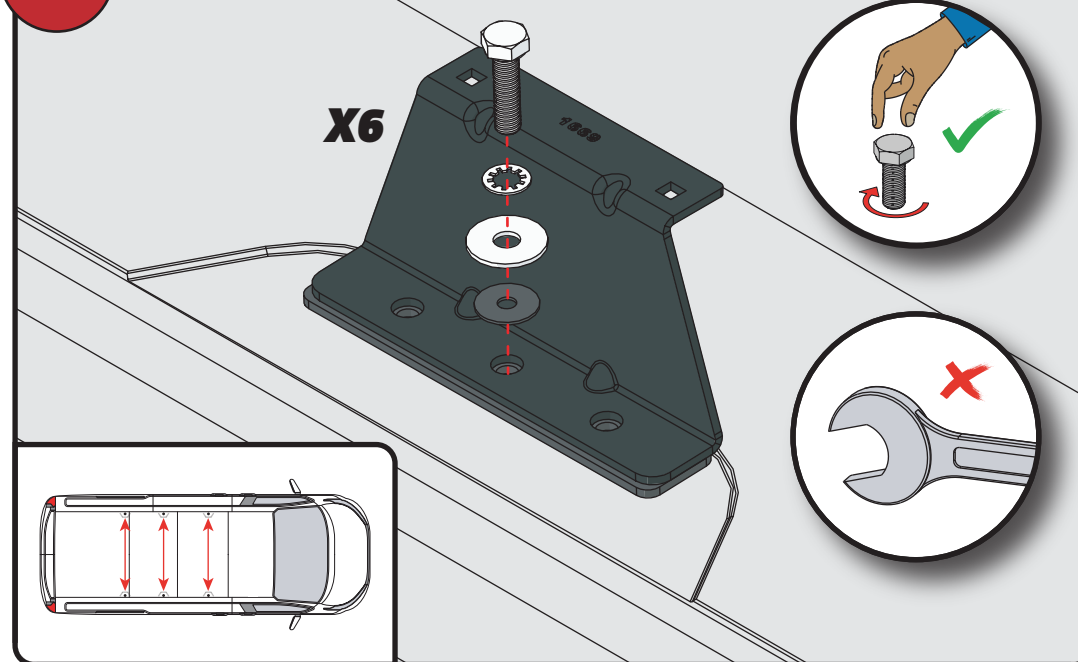
EN - STICK GASKETS TO ALL BRACKETS
DE - KLEBEN SIE DIE DICHTUNG AN ALLEN HALTERUNGEN
FR - COUSSINETS ADHÉSIFS À TOUTS LES SUPPORTS
NL - PLAK PAKKING OP ALLE BEUGELS
ES - PEGA LAS ALMOHADILLAS A TODOS LOS SOPORTES
IT - ADESIVI GUARNIZIONI A TUTTE LE STAFFE

SV - FÄST GUMMI PÅ ALLA FÄSTEN
DA - KLÆB GUMMI PÅ ALLE BESLAG
NO - PLIST GUMMI PÅ ALLE BRAKKETTER
PL - NAKLEJ USZCZELKI DO WSZYSTKICH WSPORNIKÓW
CS - PŘILEPTE TĚSNĚNÍ NA VŠECHNY DRŽÁKY

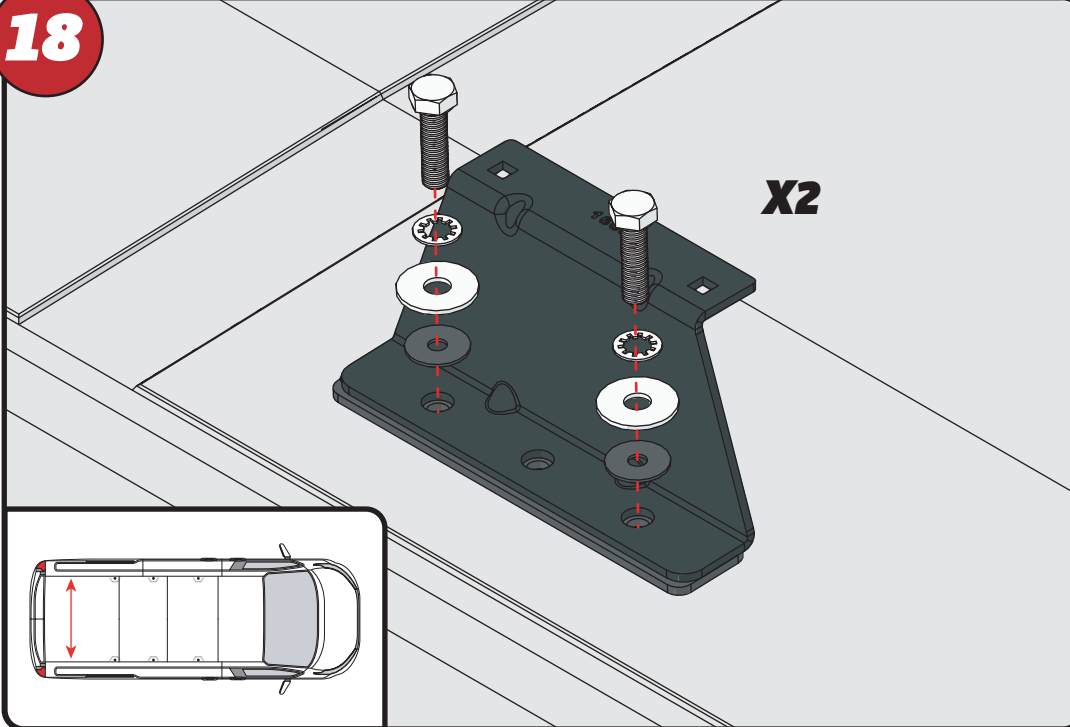
16



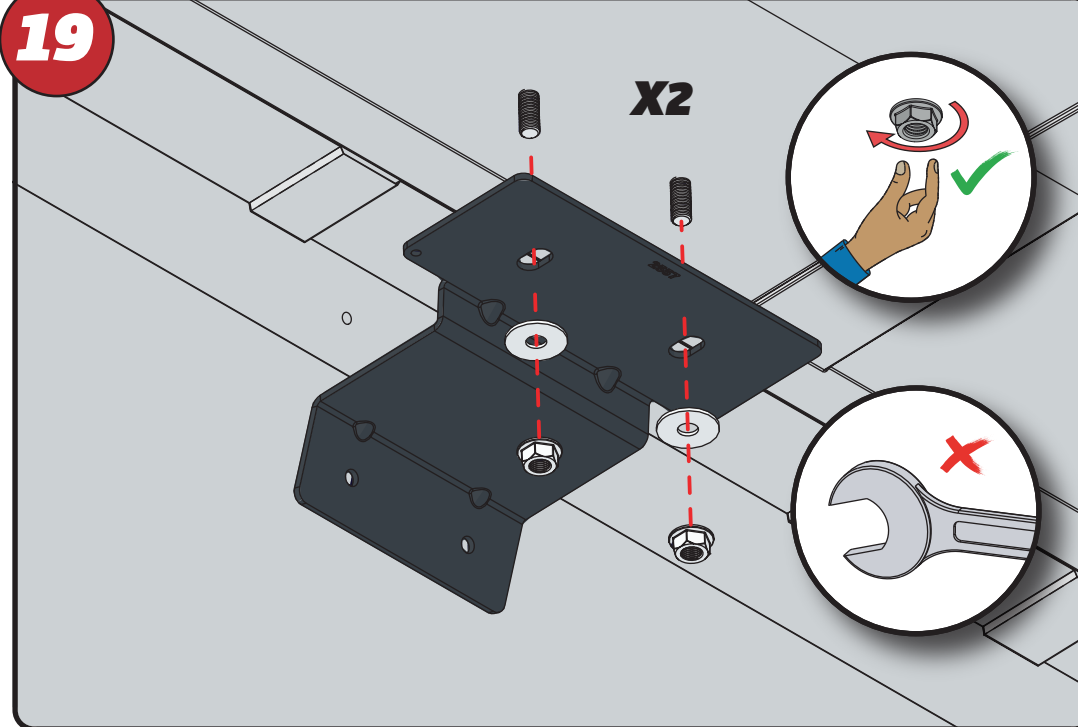
17

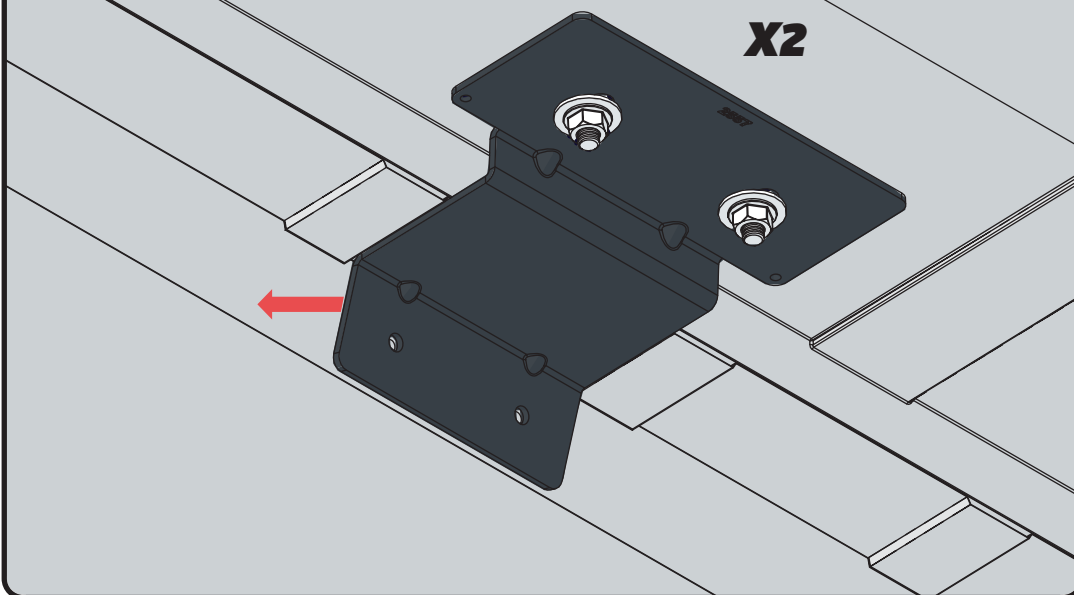
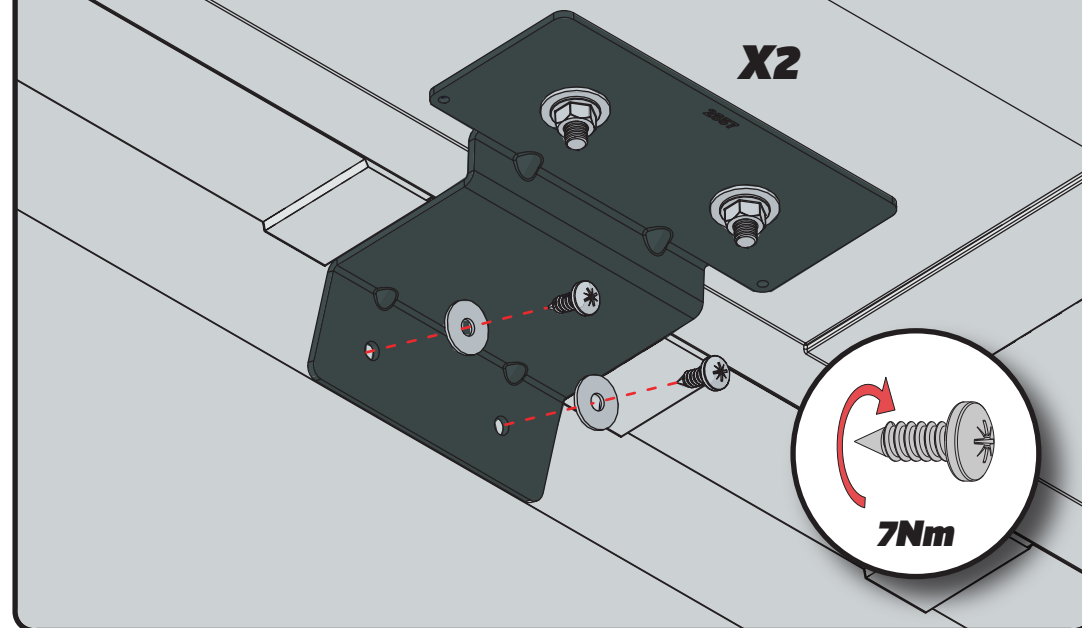
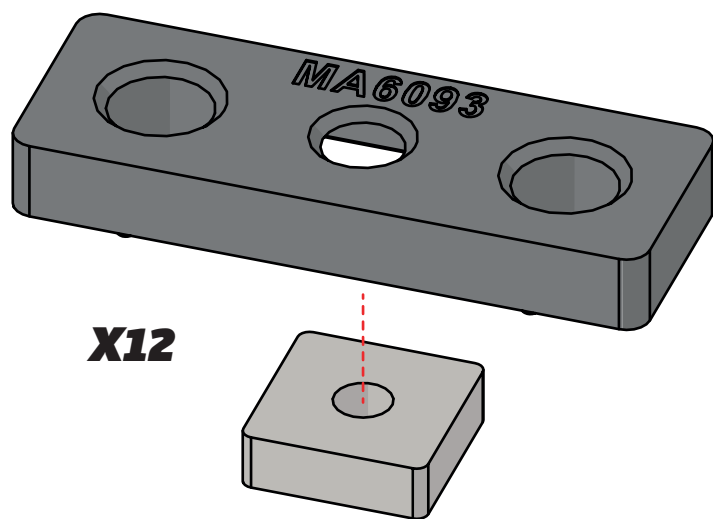
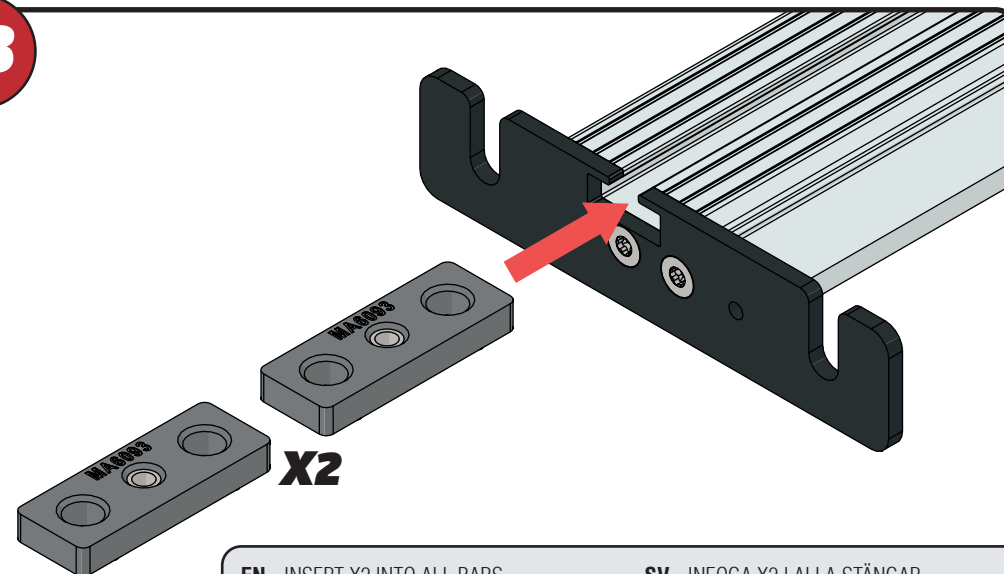


18



19

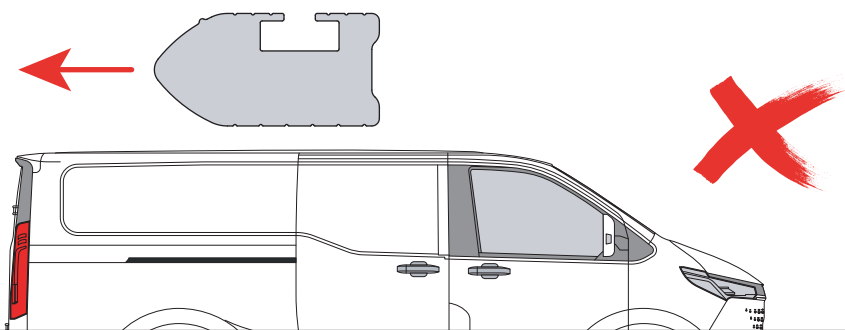
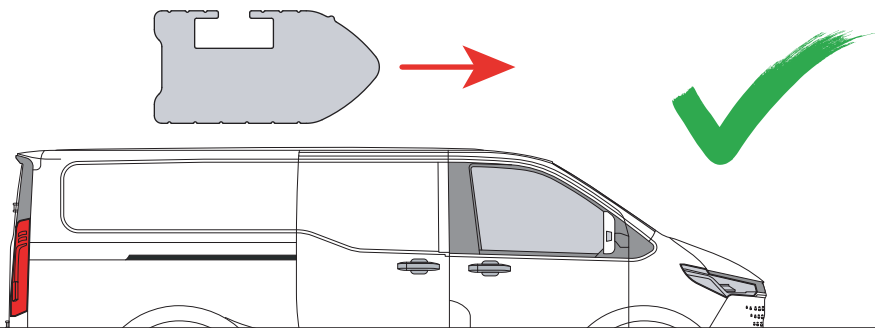


20**21****22****23**

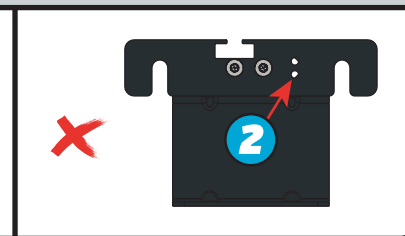
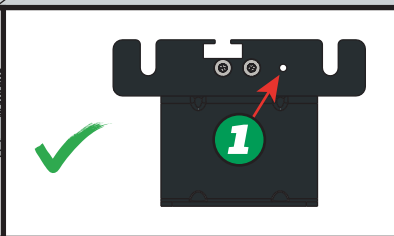
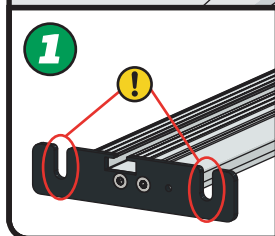
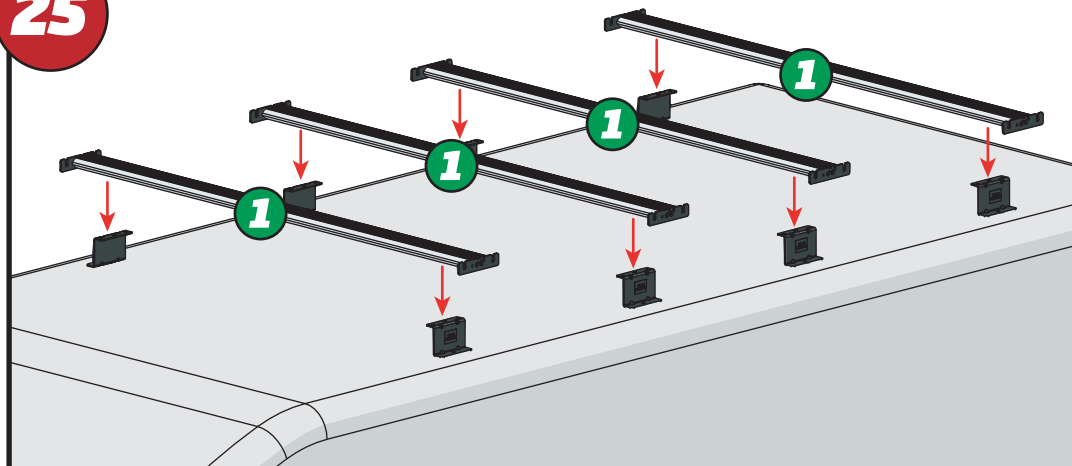
EN - INSERT X2 INTO ALL BARS
 DE - X2 IN ALLE STANGEN EINFÜGEN
 FR - INSÉRER X2 DANS TOUTES LES BARRES
 NL - PLAATS X2 IN ALLE BARS
 ES - INSERTAR X2 EN TODAS LAS BARRAS
 IT - INSERIRE X2 IN TUTTE LE BARRE

SV - INFOGA X2 I ALLA STÄNGAR
 DA - INDSÆT X2 I ALLE STÆNGER
 NO - SETT X2 INN I ALLE TAKSTENGER
 PL - WSTAW X2 DO WSZYSTKICH PRĘTÓW
 CS - VLOŽTE X2 DO VŠECH TYČÍ

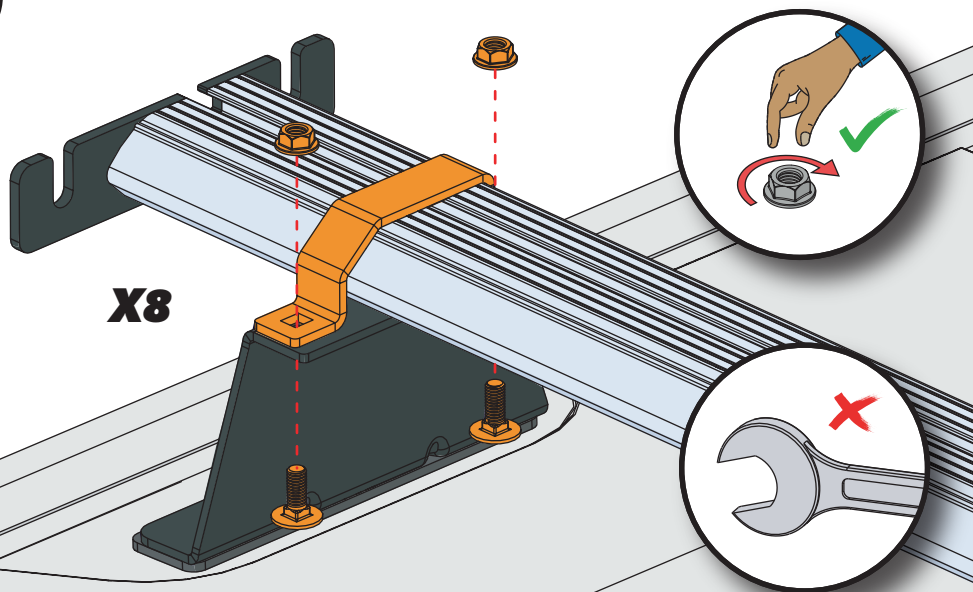
24



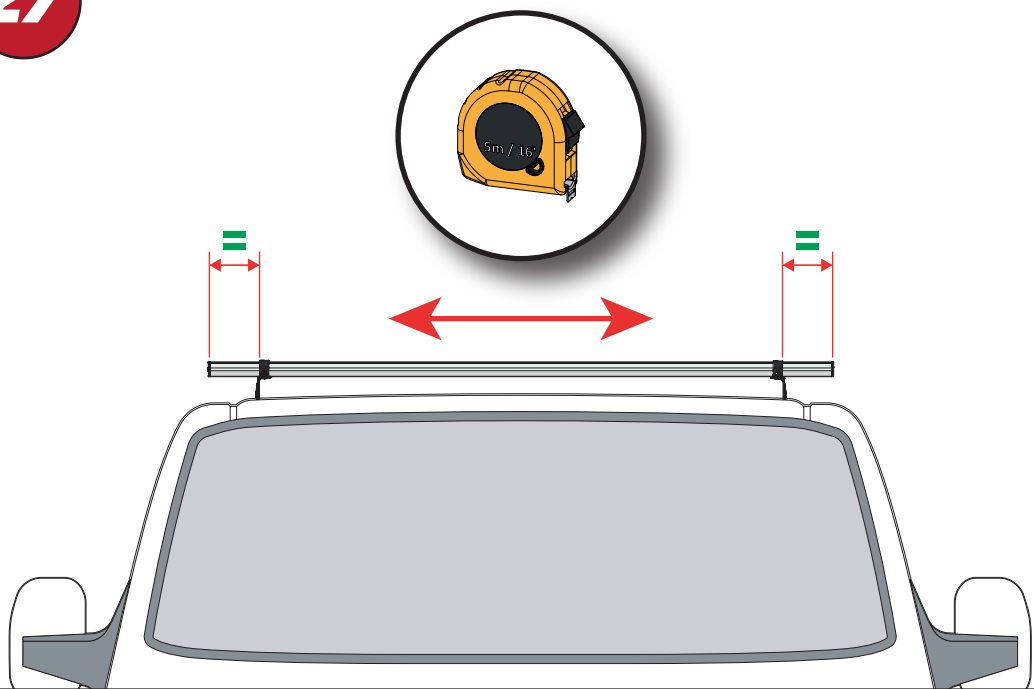
25



26



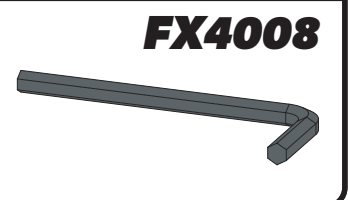
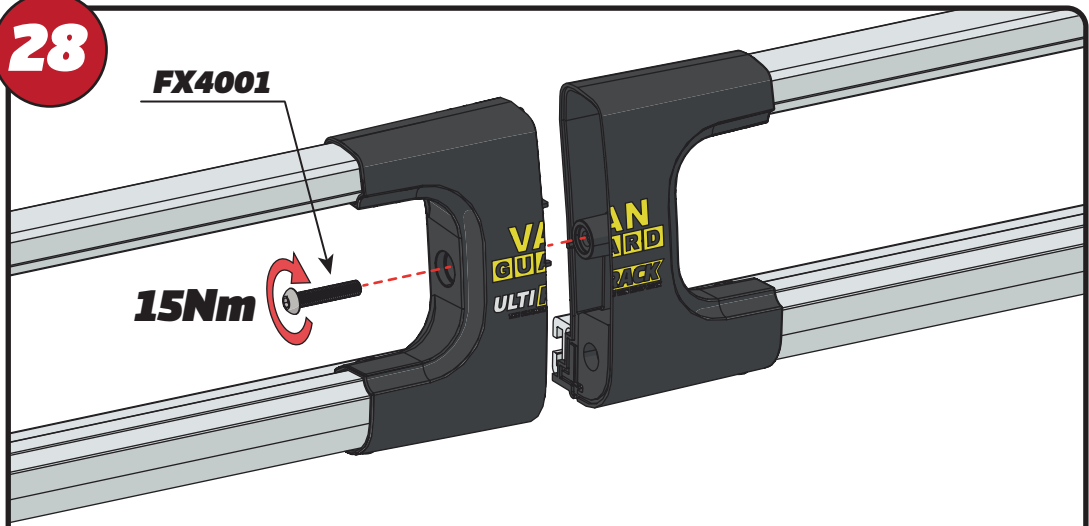
27



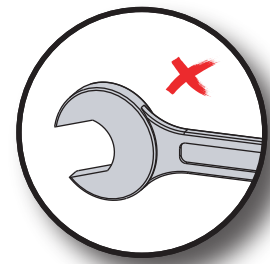
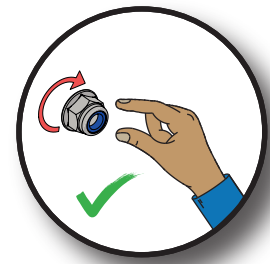
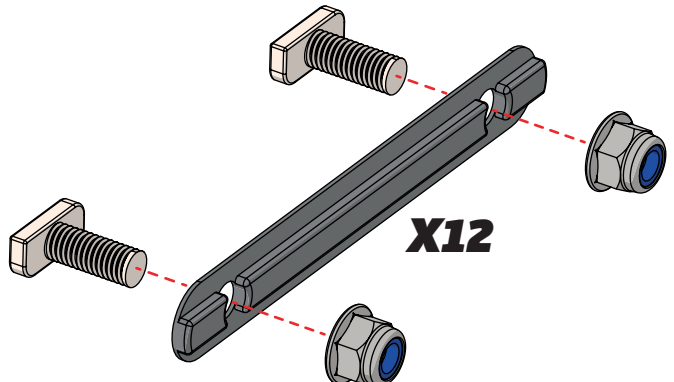
28

FX4001

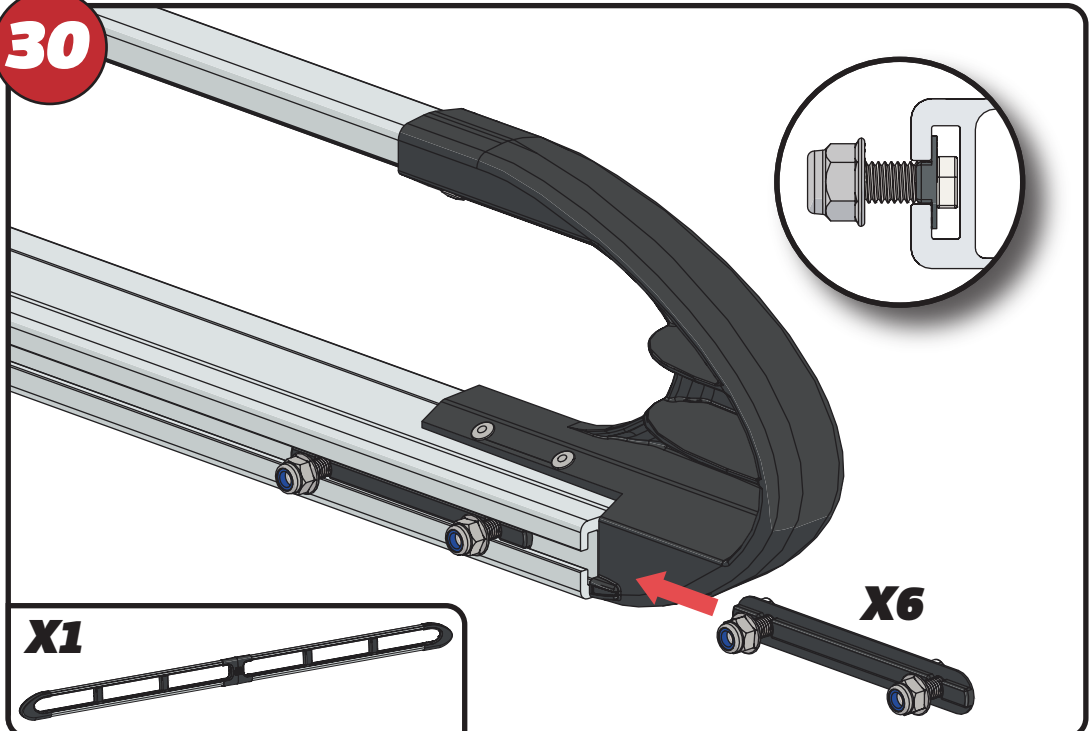
15Nm



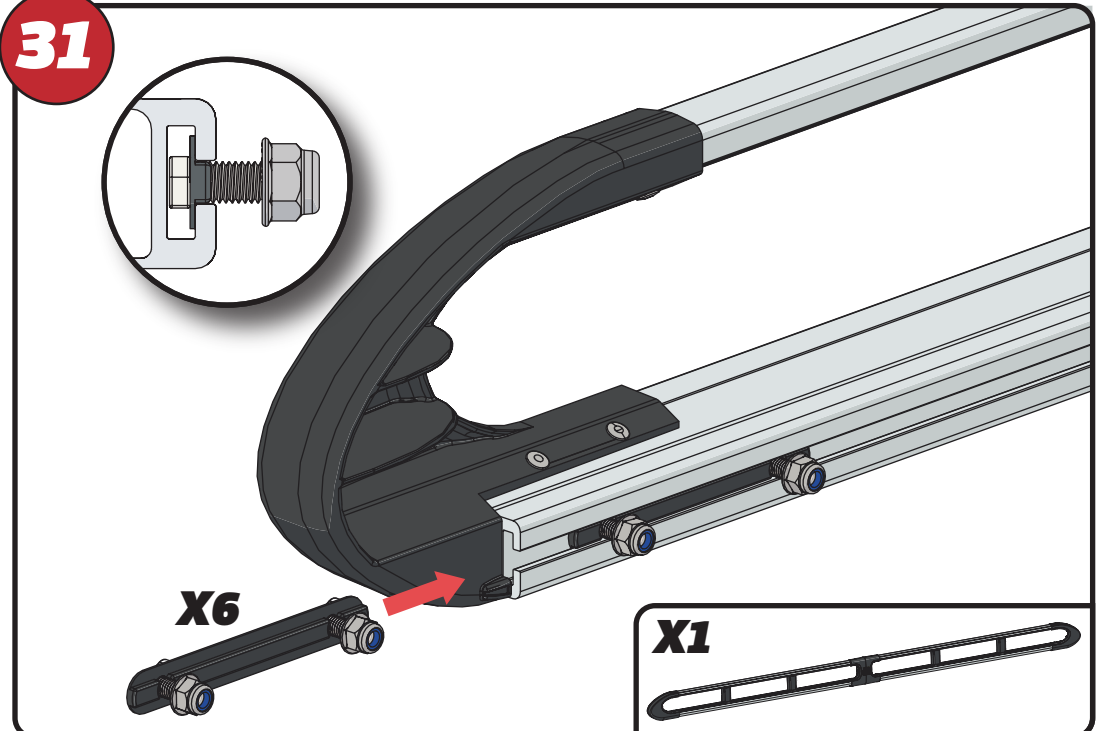
29



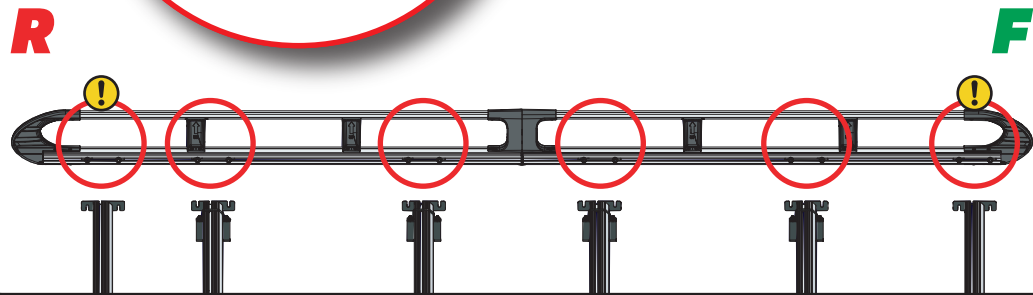
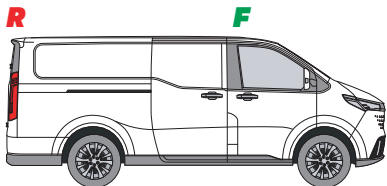
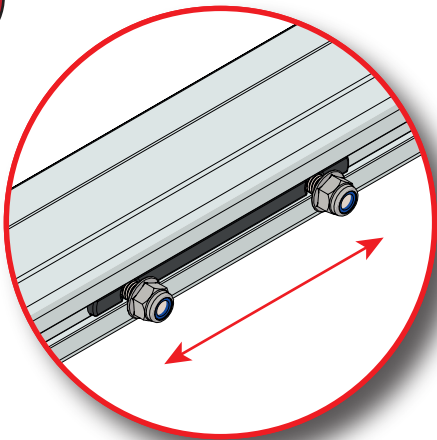
30



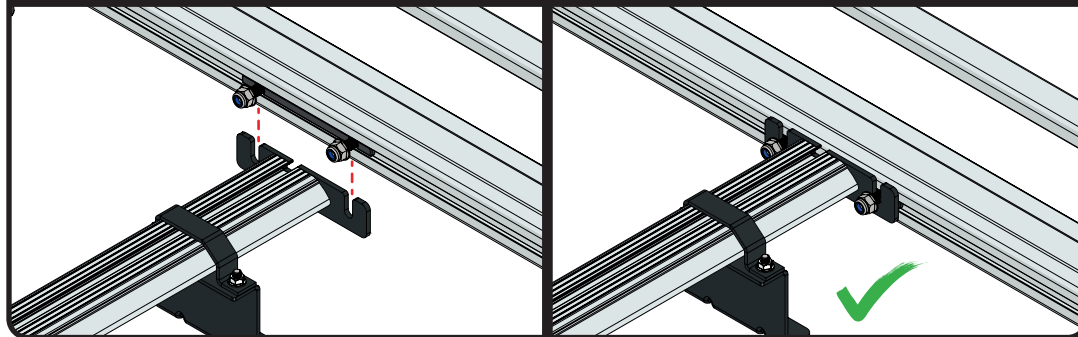
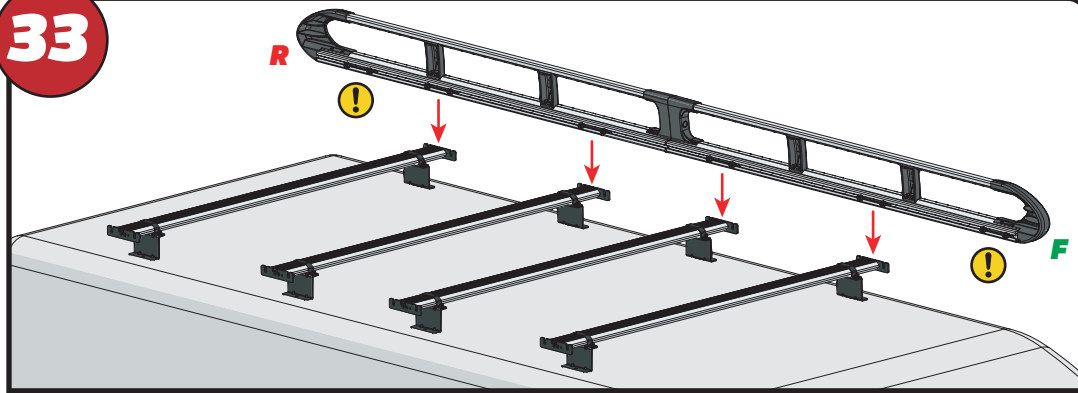
31



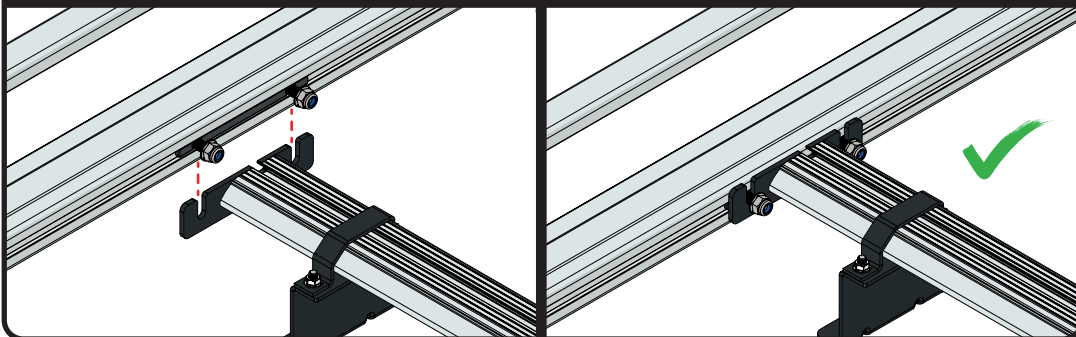
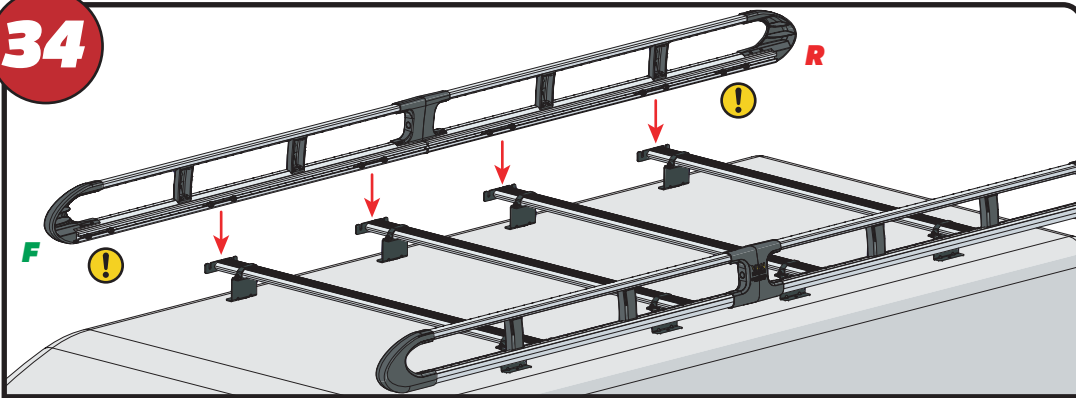
32



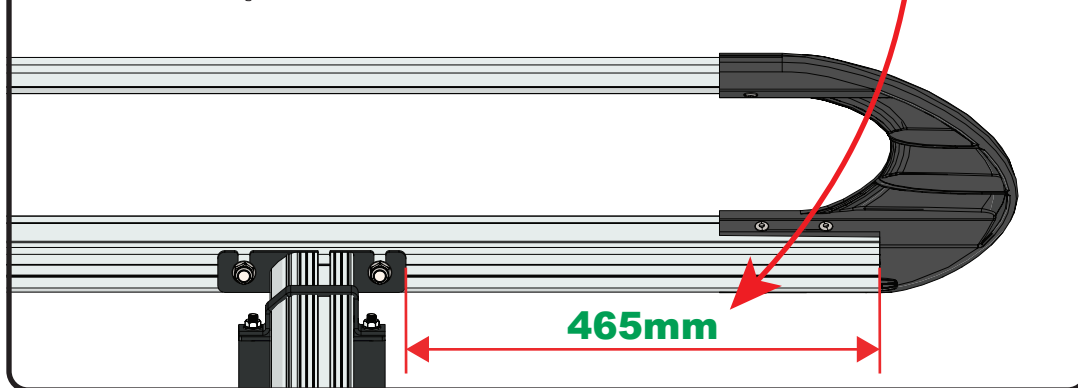
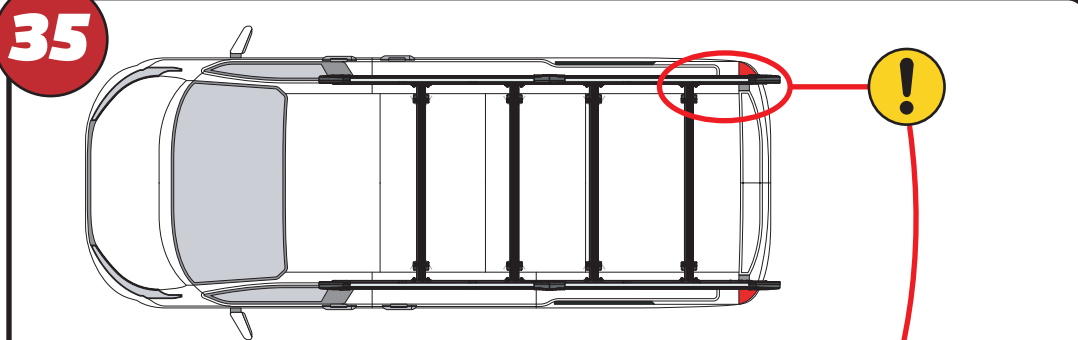
33

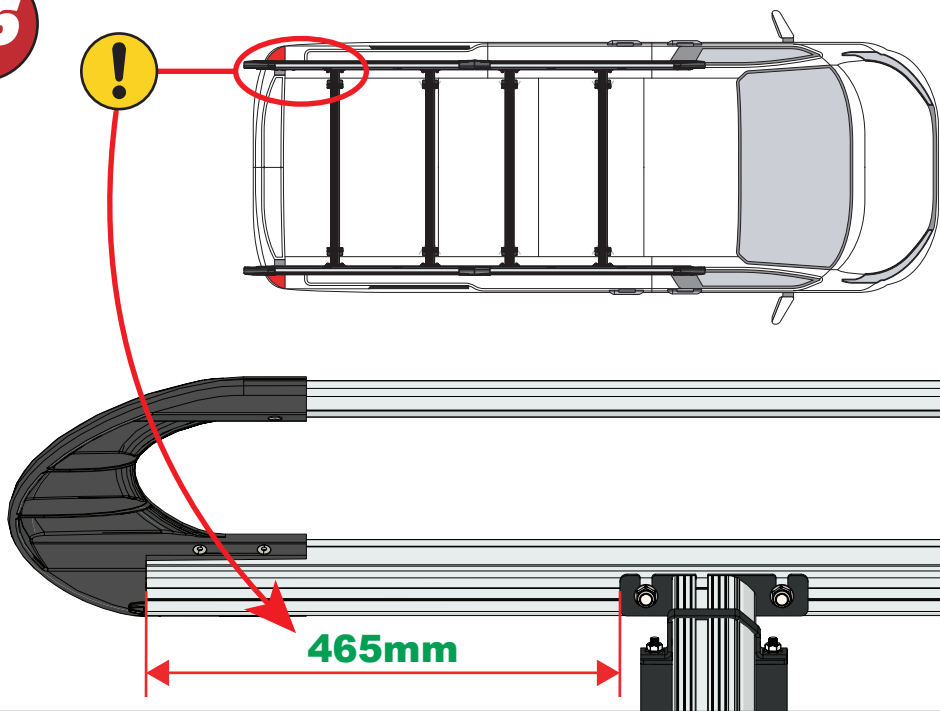
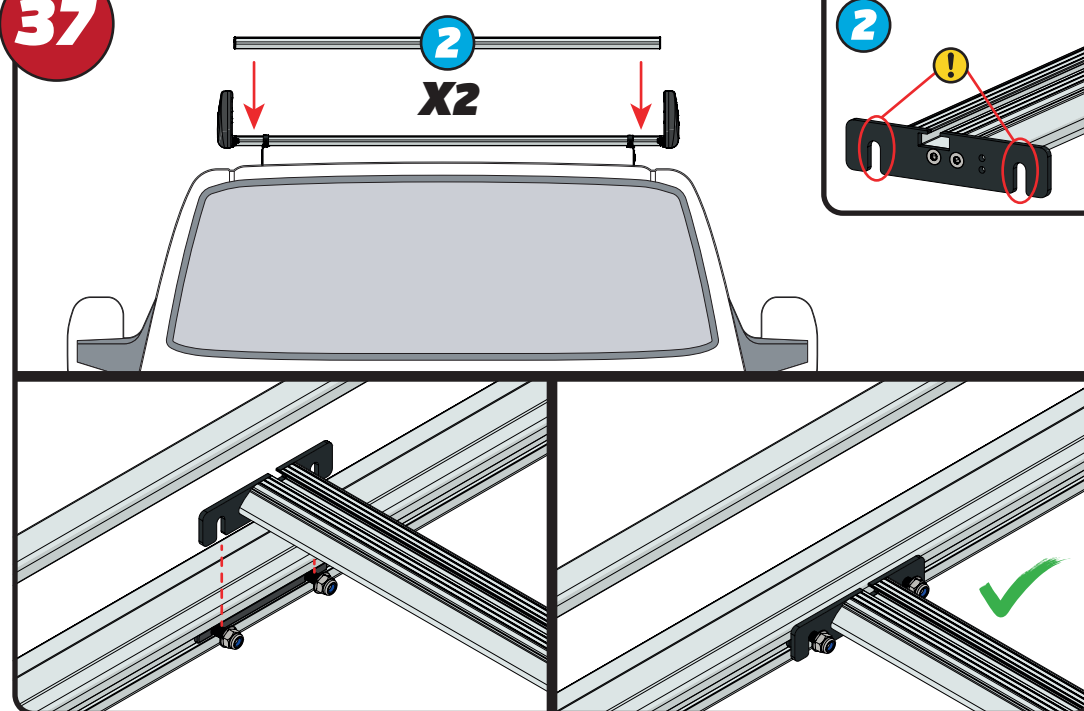
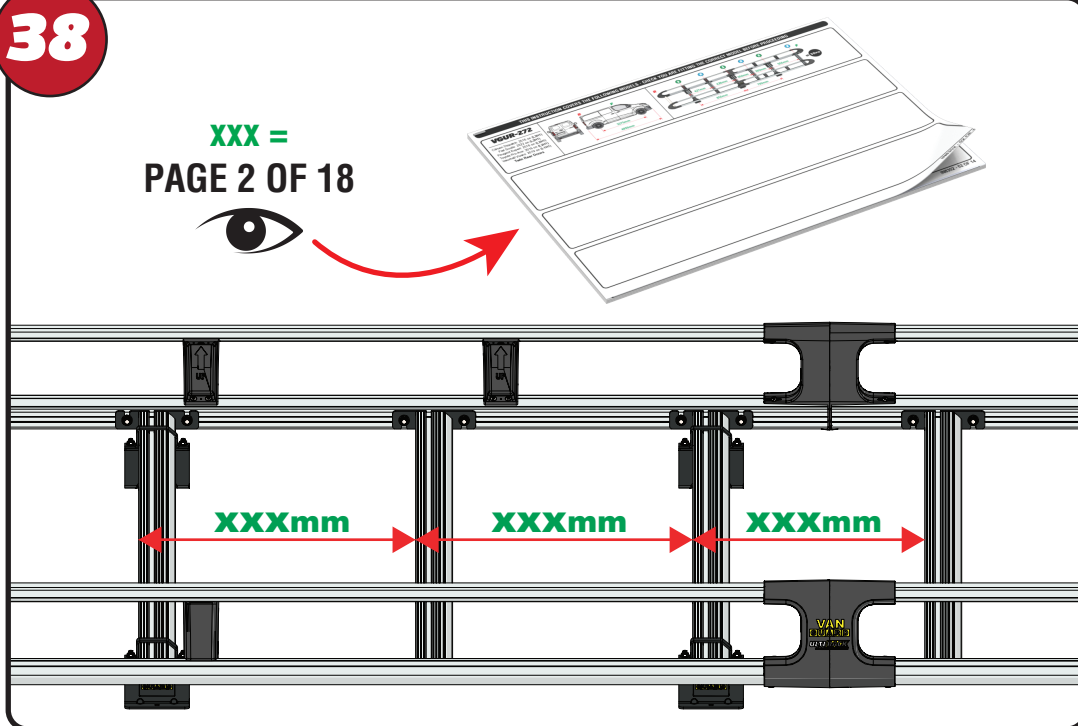
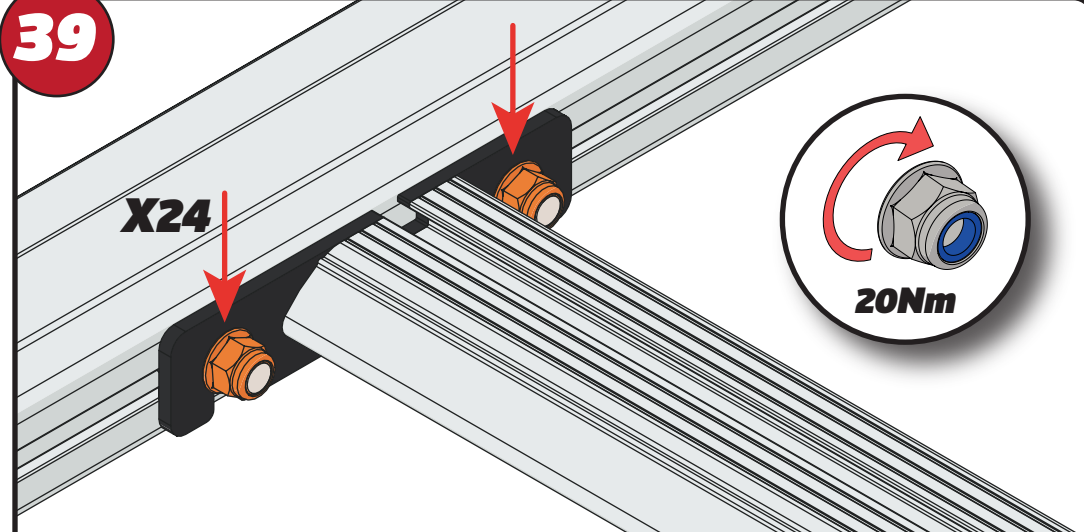


34



35

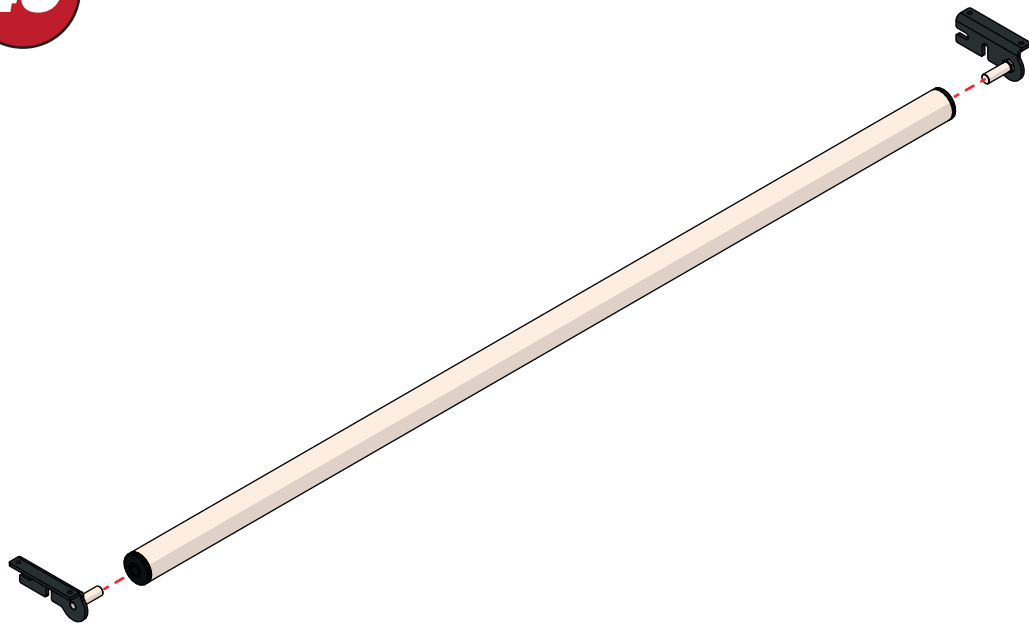


36**37****38****39**

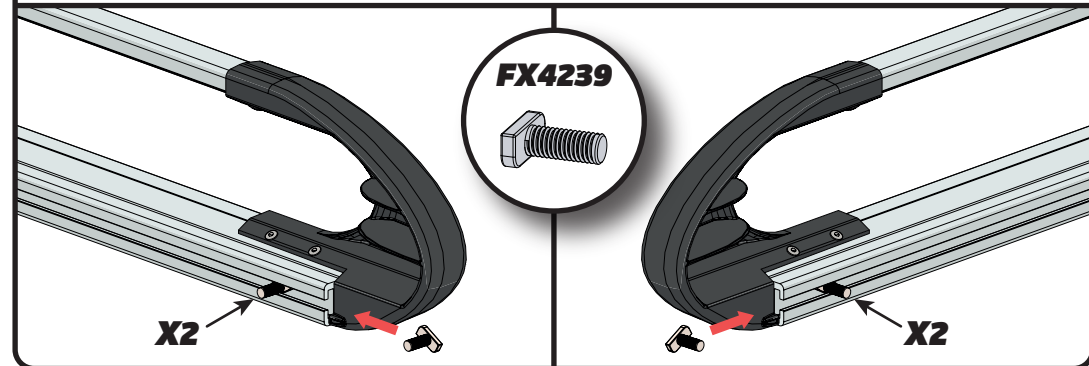
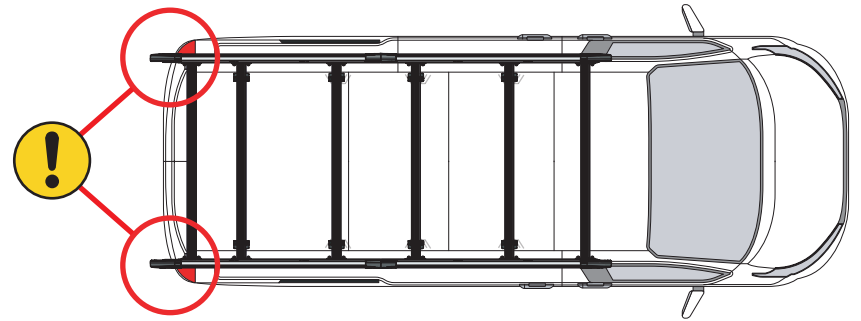
EN - TIGHTEN ALL OF THE CROSS BARS
 DE - ALLE QUERSTANGEN FESTZIEHEN
 FR - SERREZ TOUTES LES BARRES TRANSVERSALES
 NL - DRAAI ALLE DWARSBALK VAN HET DAK AAN
 ES - APRIETE TODAS LAS BARRAS TRANSVERSALES
 IT - STRINGERE TUTTE LE BARRE TRASVERSALI

SV - SKRU UPP ALLA KORSSTANGAR
 DA - SKRU ALLE TAGBØJLER OP
 NO - SKRU OPP ALLE TVERRSTENGER
 PL - DOKRĘCIĆ WSZYSTKIE POPRZECZKI
 CS - VŠECHNY PŘÍČNÉ TYČE SEŠROUJE

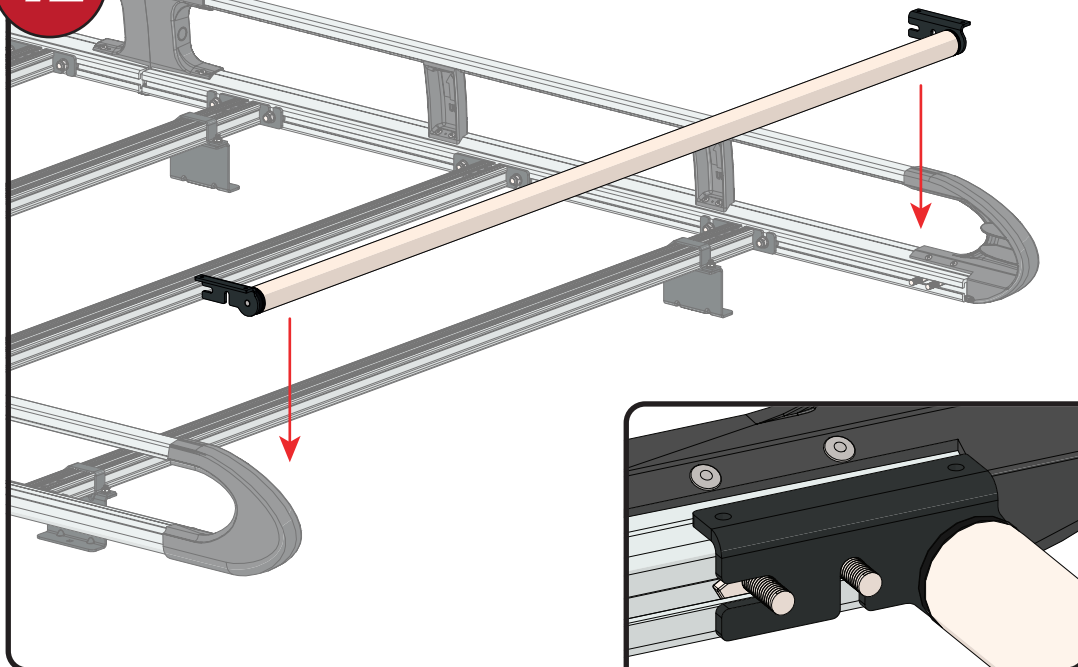
40



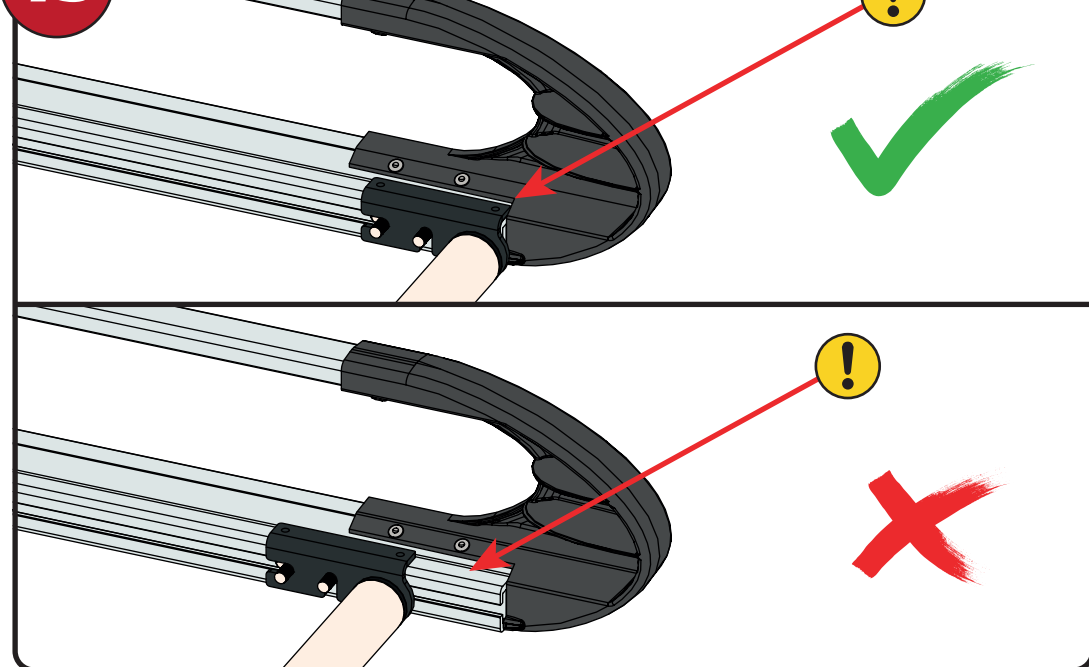
41



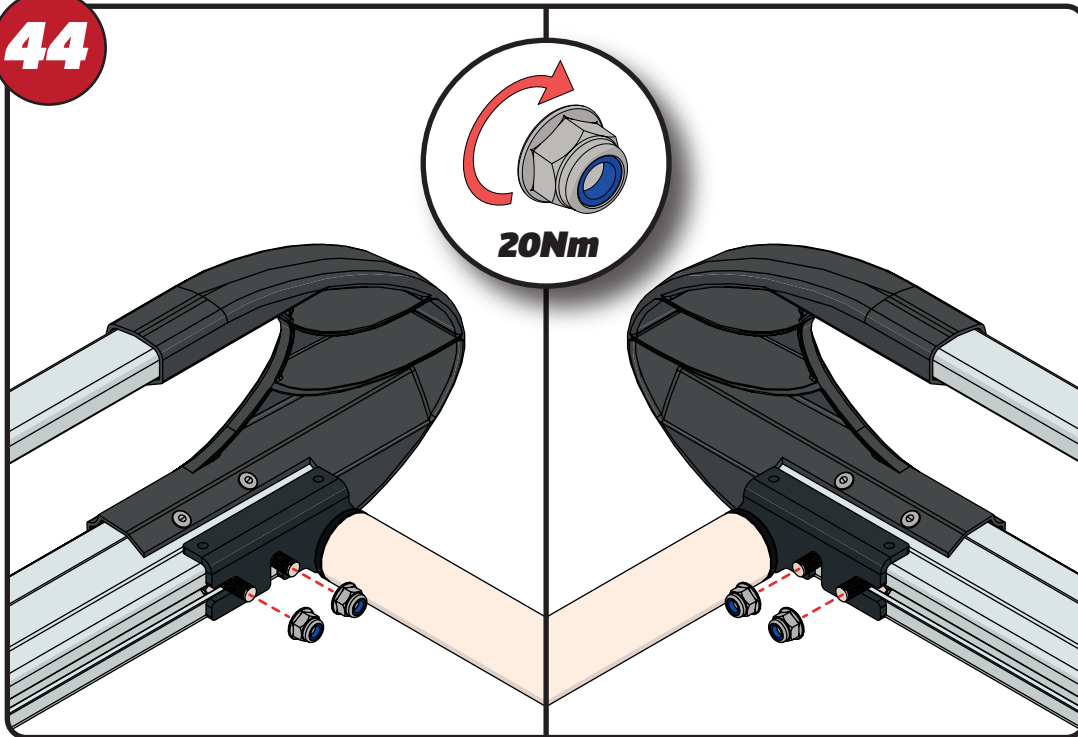
42



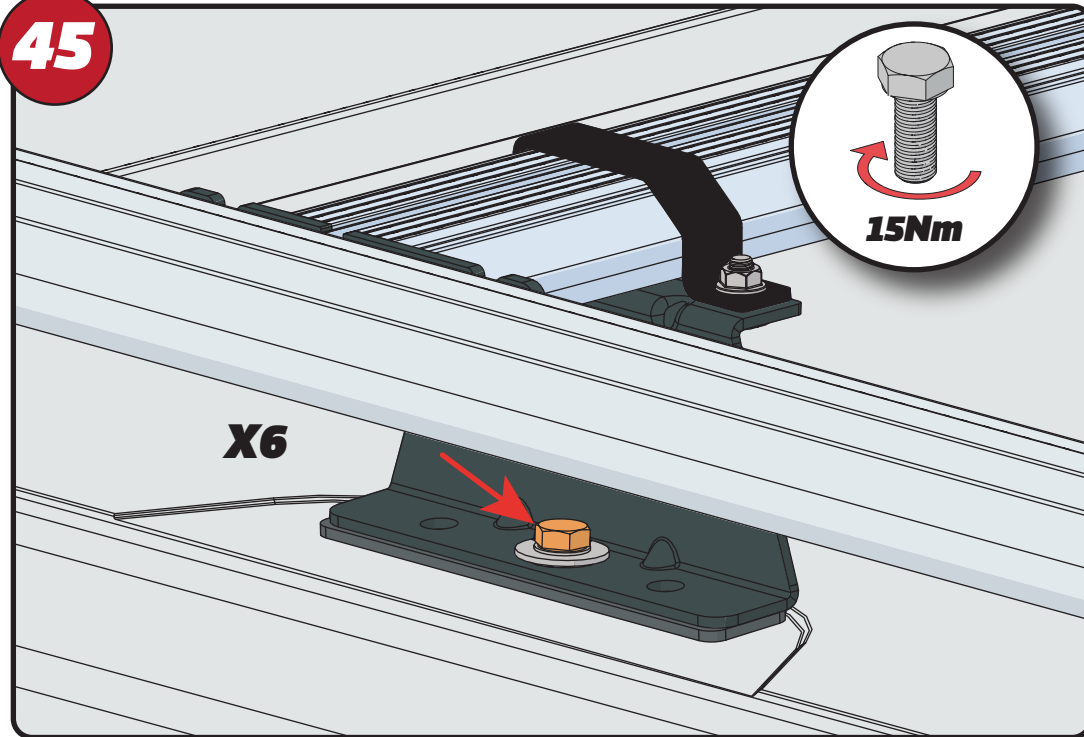
43



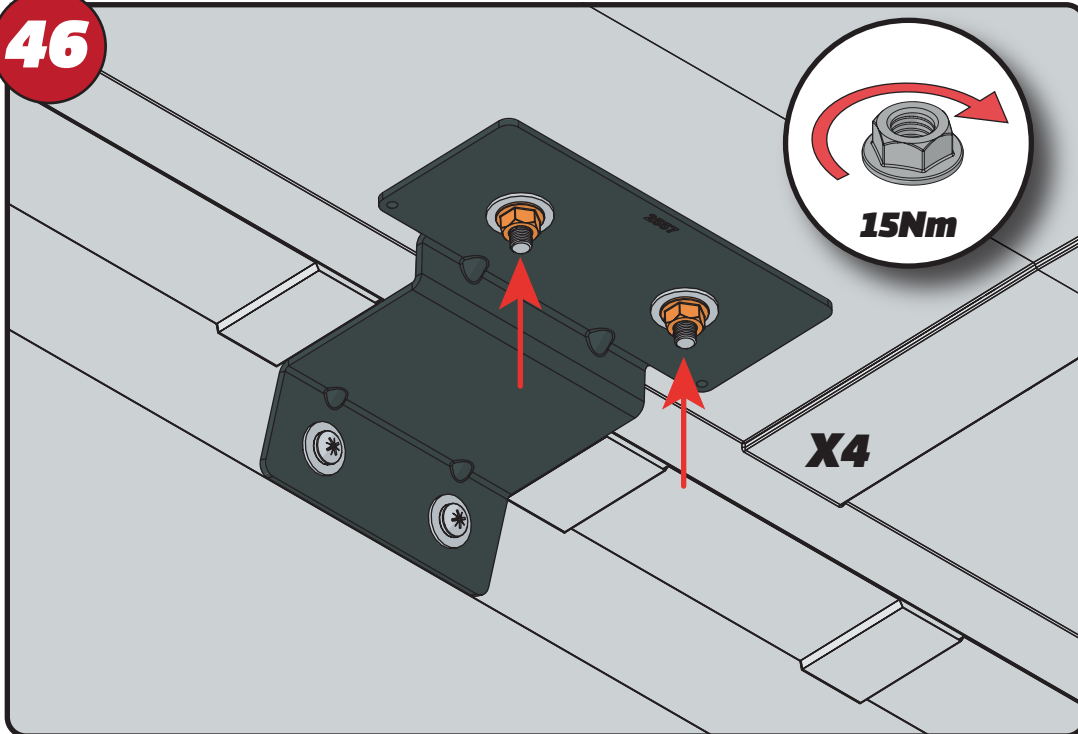
44



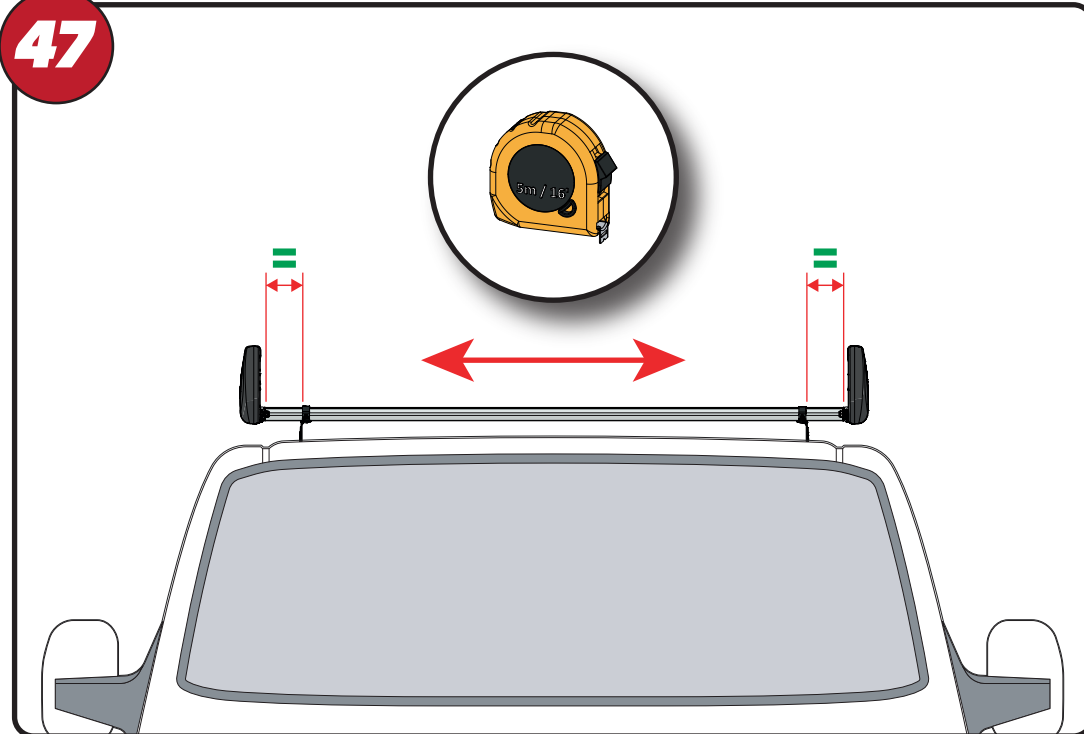
45



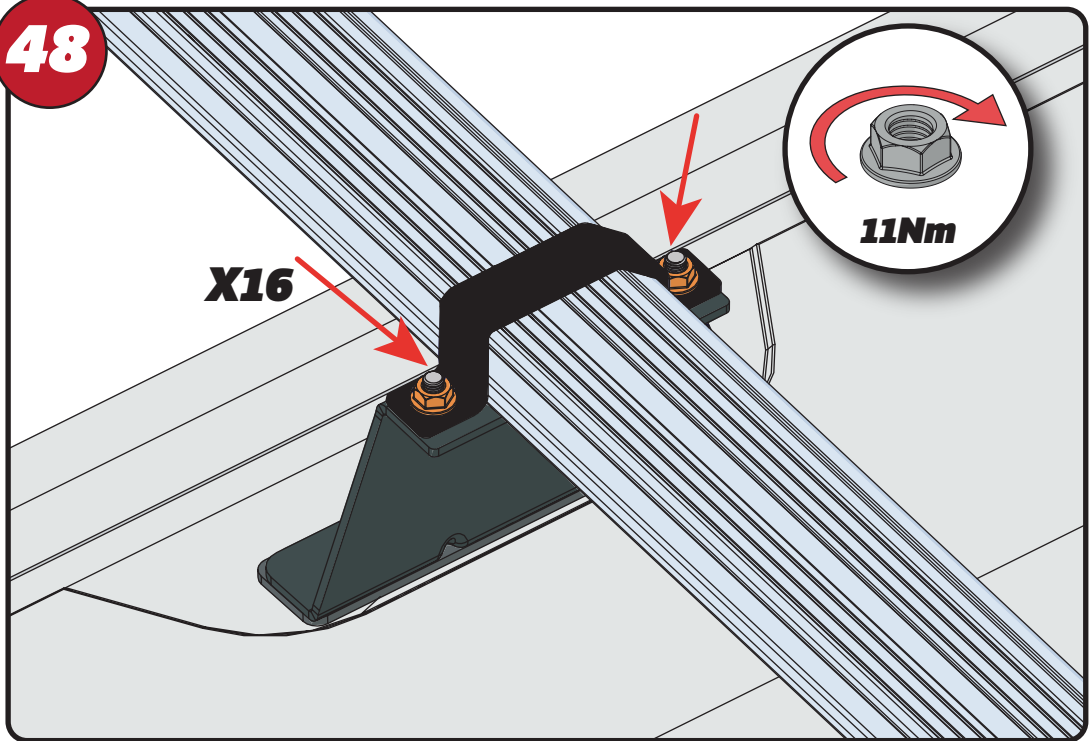
46



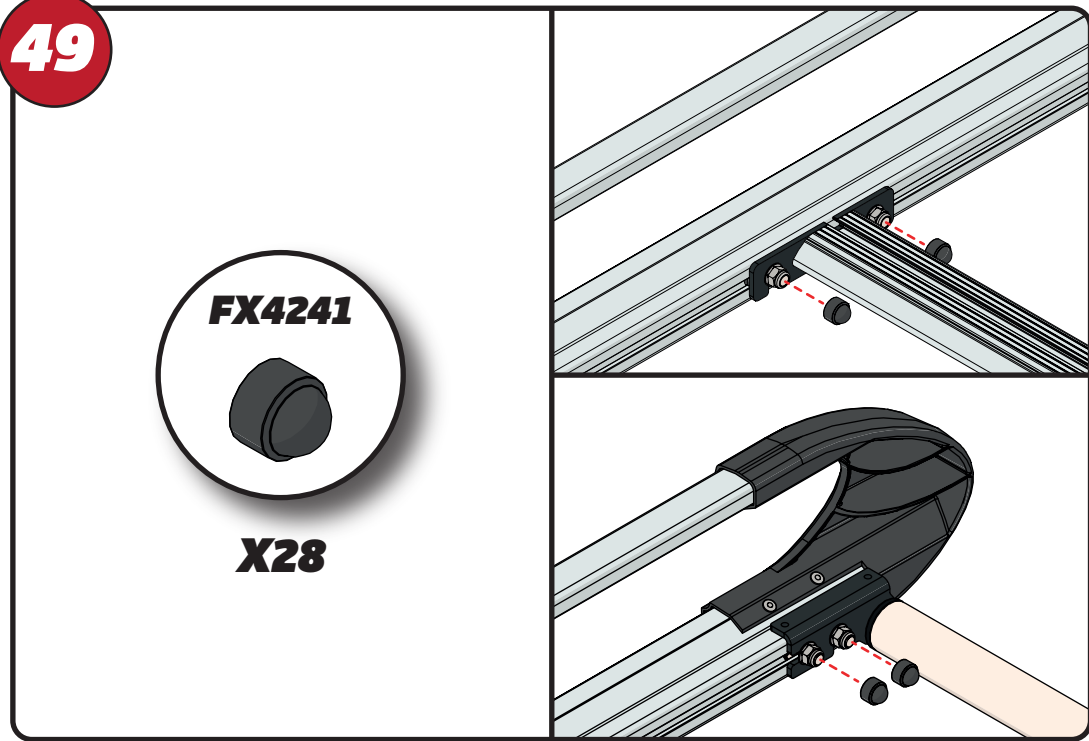
47



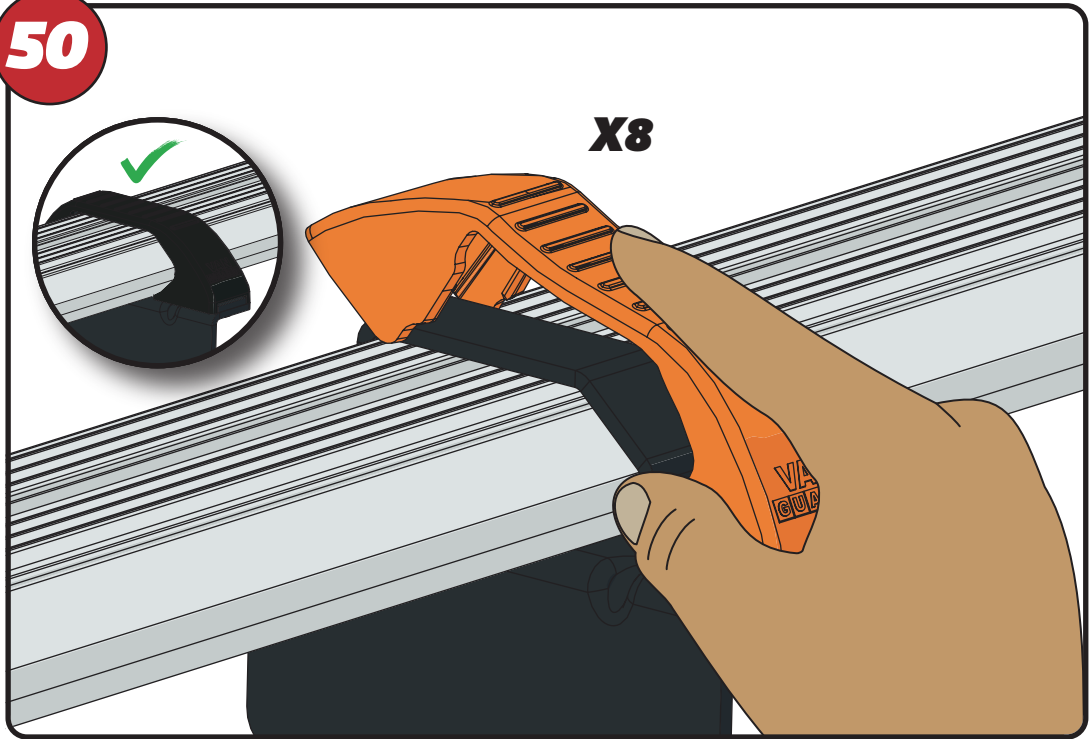
48



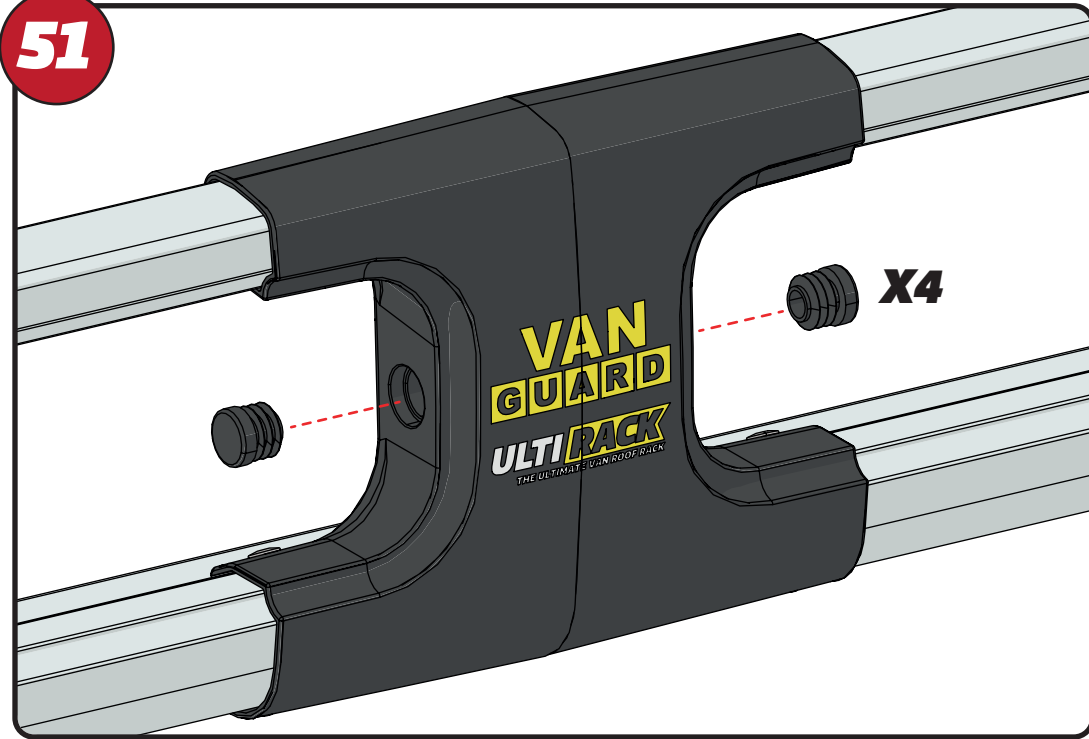
49



50



51



52

