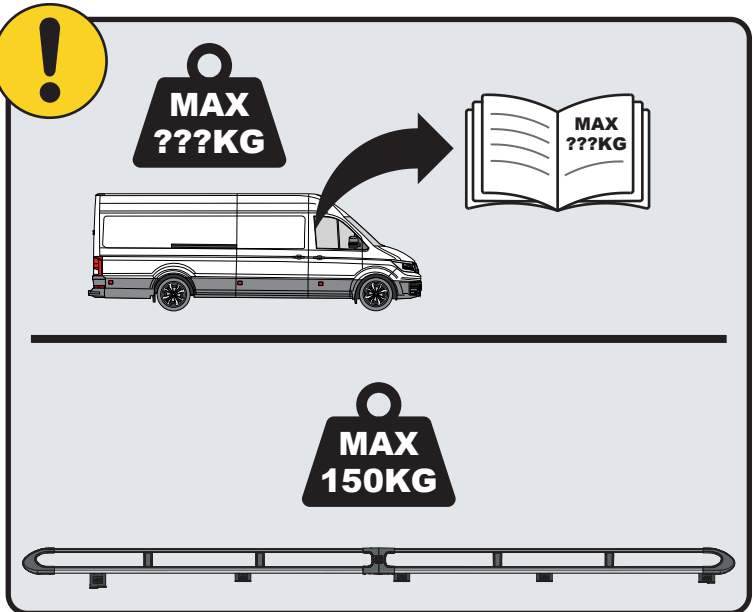
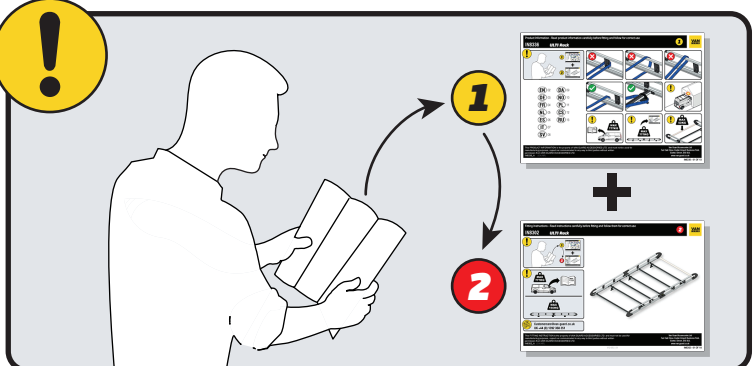


# IN8486

## ULTI Rack+



 [Customercare@van-guard.co.uk](mailto:Customercare@van-guard.co.uk)  
UK +44 (0) 1392 368 351



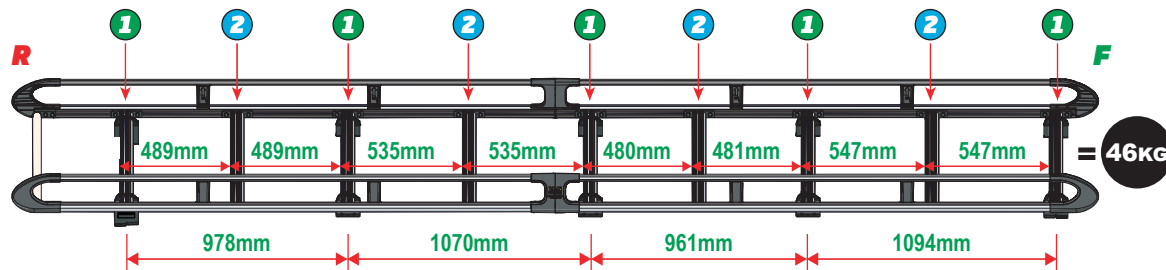
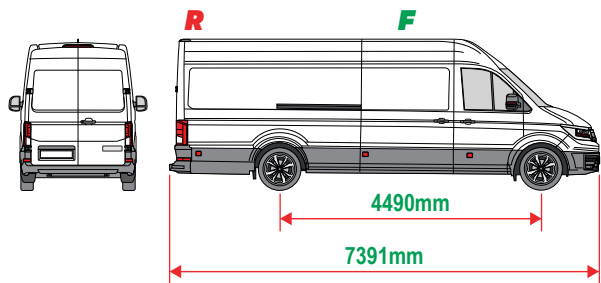
This FITTING INSTRUCTION is the property of VAN GUARD ACCESSORIES LTD. and must not be used for manufacturing purposes, copied nor communicated in any way to third parties without written permission from VAN GUARD ACCESSORIES LTD.  
IN8486\_A (CN:NR)

Van Guard Accessories Ltd  
Fair Oak Close, Exeter Airport Business Park,  
Exeter, Devon, EX5 2UL  
[www.van-guard.co.uk](http://www.van-guard.co.uk)

**THIS INSTRUCTION COVERS THE FOLLOWING MODELS - CHECK YOU ARE FITTING THE CORRECT MODEL BEFORE PROCEEDING**

**VGUR-307**

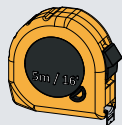
MAN TGE: 2017 on  
 Volkswagen Crafter: 2017 on  
**L5H3**  
 Twin Rear Doors



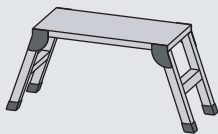
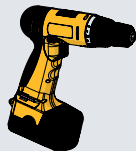
**SUPPLIED COMPONENTS - CHECK ALL PARTS ARE PRESENT AND CORRECT BEFORE PROCEEDING (1 OF 2)**

**TOOLS REQUIRED**

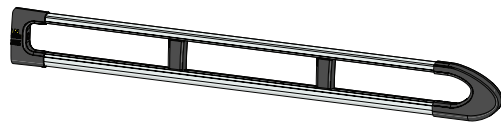
**10MM X1**



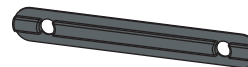
**13MM X1**



**AS3893 X2**  
(4600 / A)



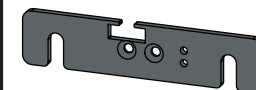
**MA6118 X18**



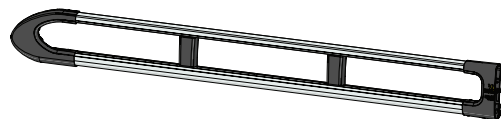
**FX4241 X40**



**ME1622 X4**



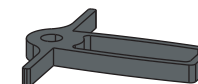
**AS3892 X2**  
(4600 / B)



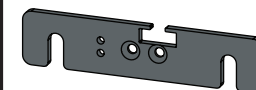
**FX4008 X1**



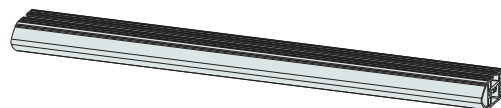
**MA6145 X1**



**ME1623 X4**



**ME1628 X9**  
(1554mm)



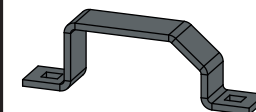
**FX4001 X2**  
(M8X40)



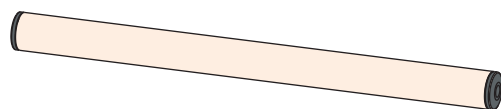
**FX4235 X36**  
(M5X25)



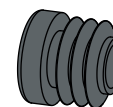
**ME0203 X10**



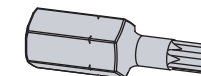
**AS3160 X1**  
(1540mm)



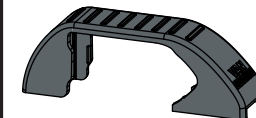
**MA6007 X4**



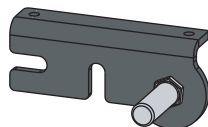
**FX4248 X1**  
(T25)



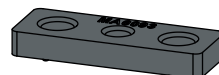
**MA6065 X10**



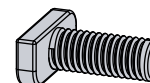
**AS3590 X1**



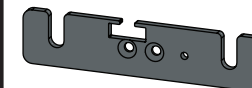
**MA6093 X18**



**FX4239 X40**  
(M8X20)



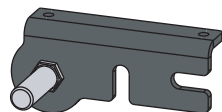
**ME1620 X5**



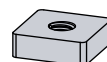
**FX4016 X30**  
(M6)



**AS3591 X1**



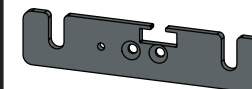
**ME0316 X18**



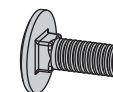
**FX4240 X40**  
(M8)



**ME1621 X5**

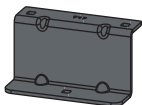


**FX4042 X20**  
(M6X16)



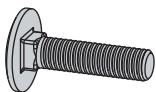
SUPPLIED COMPONENTS - CHECK ALL PARTS ARE PRESENT AND CORRECT BEFORE PROCEEDING (2 OF 2)

ME0717 X6

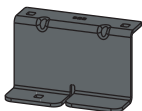


FX4022 X10

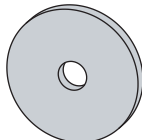
(M6X25)



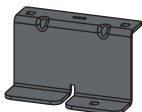
ME0922 X1



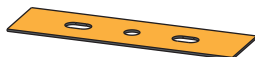
FX4023 X10



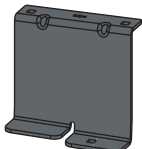
ME0923 X1



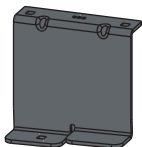
MA6091 X10



ME0924 X1



ME0925 X1

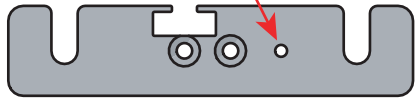


FX4014 X10



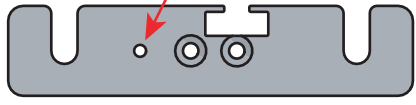
**01**

**1L**



**X5**

**1R**



**X5**

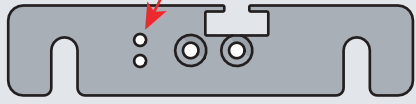


**2L**



**X4**

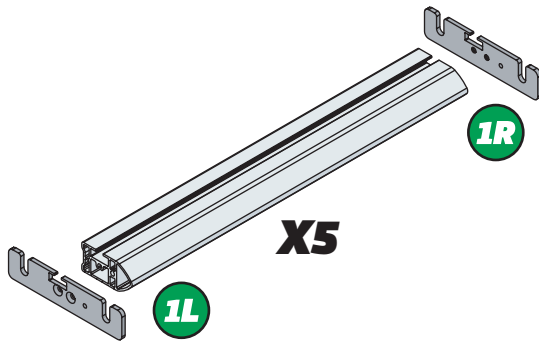
**2R**



**X4**

**02**

**1R**

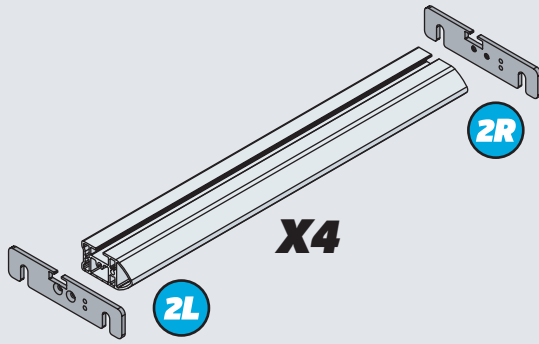


**X5**

**1L**



**2R**



**X4**

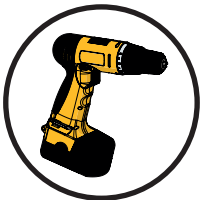
**2L**



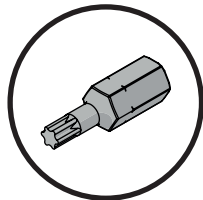
**03**

**01**

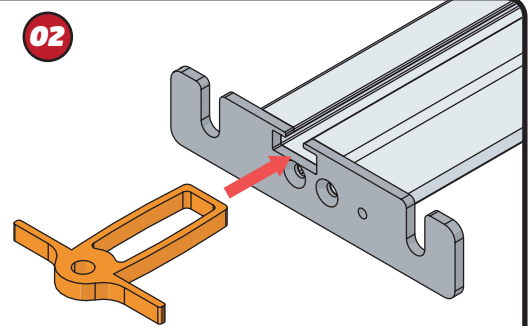
**FX4248**



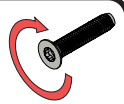
**+**



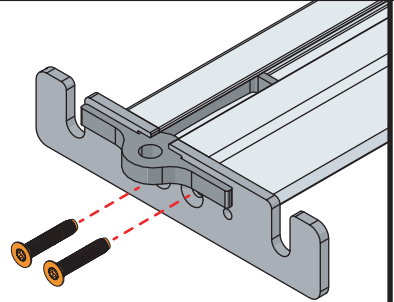
**02**



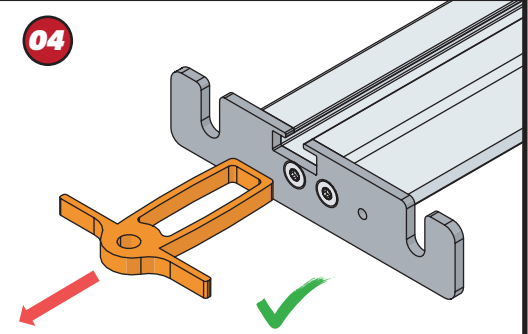
**03**



**11Nm**



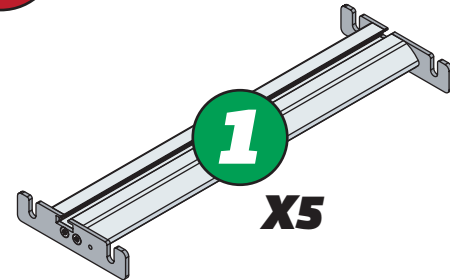
**04**



**04**

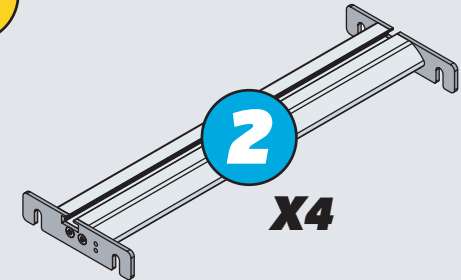


**1**

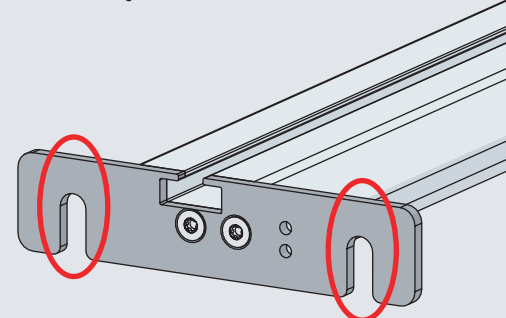
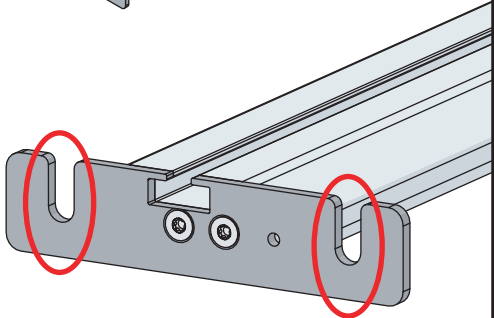


**X5**

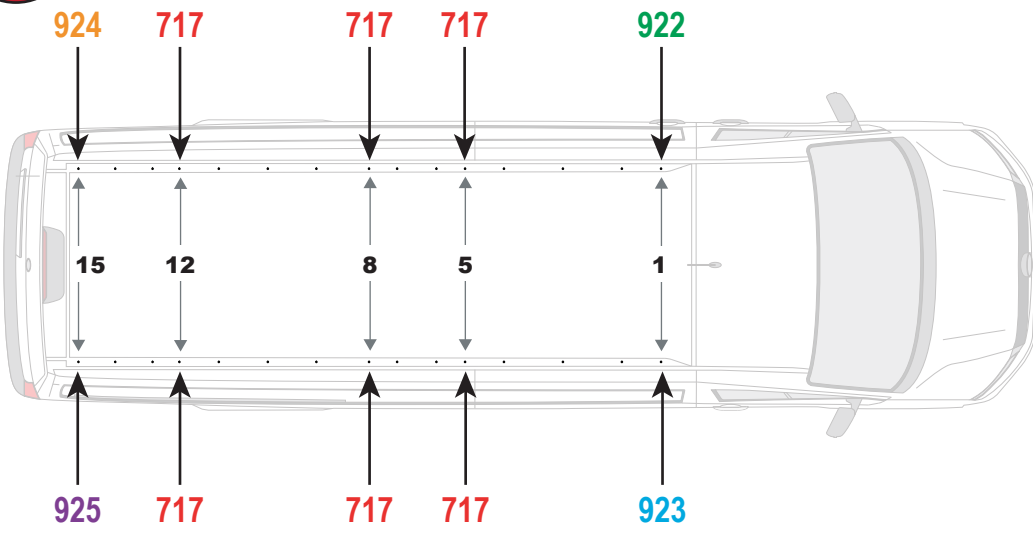
**2**



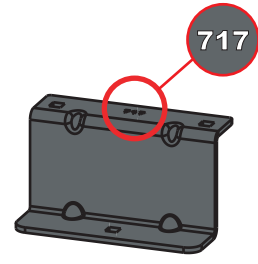
**X4**



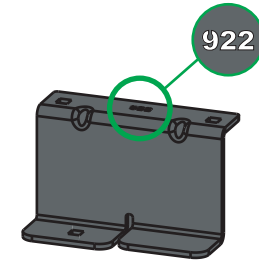
05



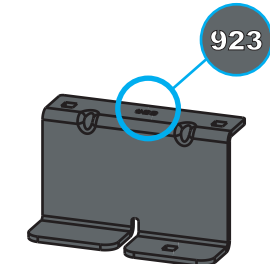
717



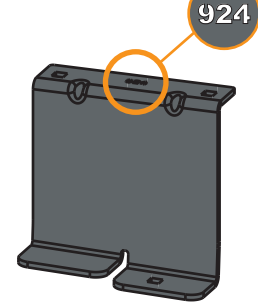
922



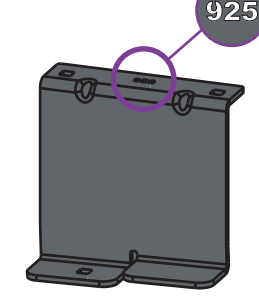
923



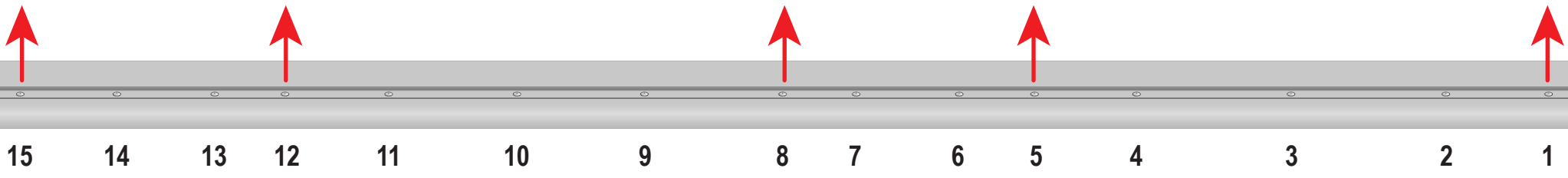
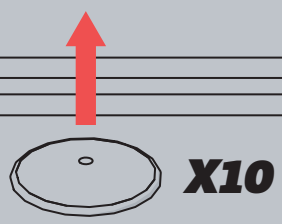
924

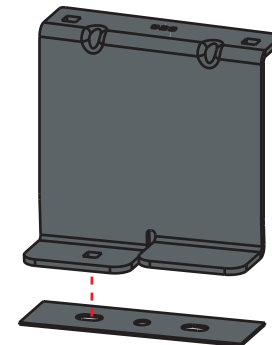
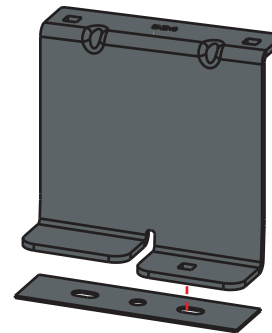
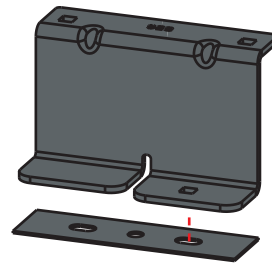
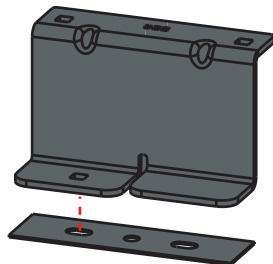
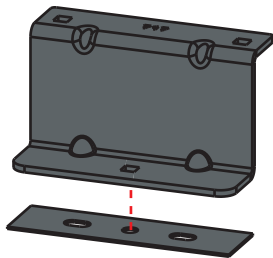
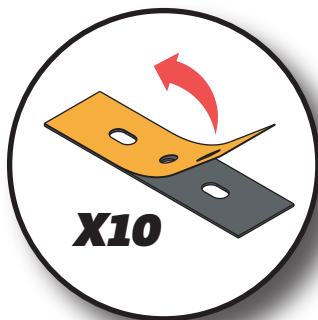
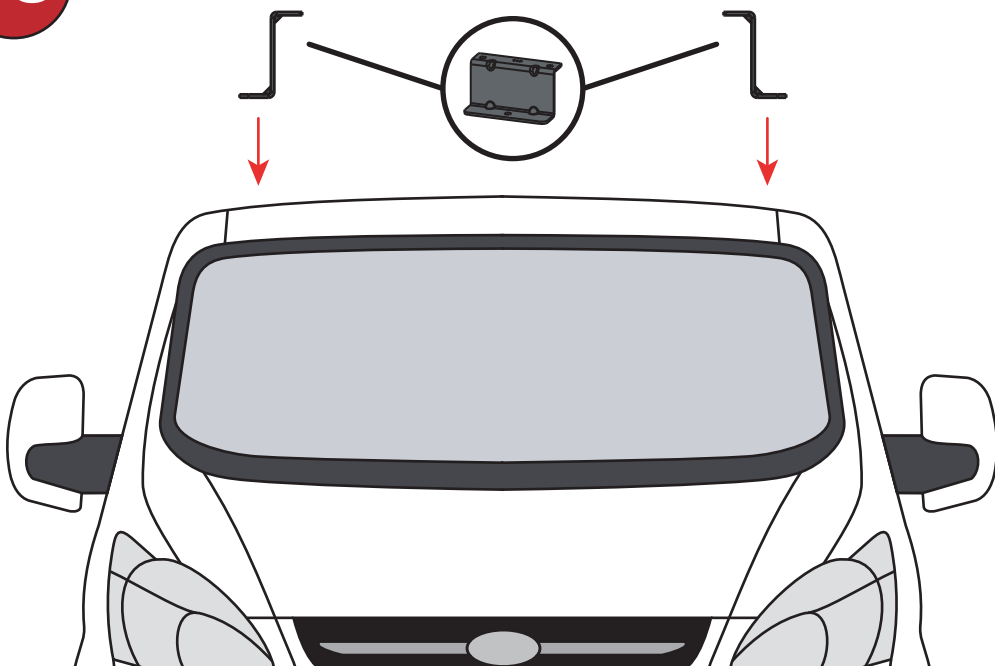
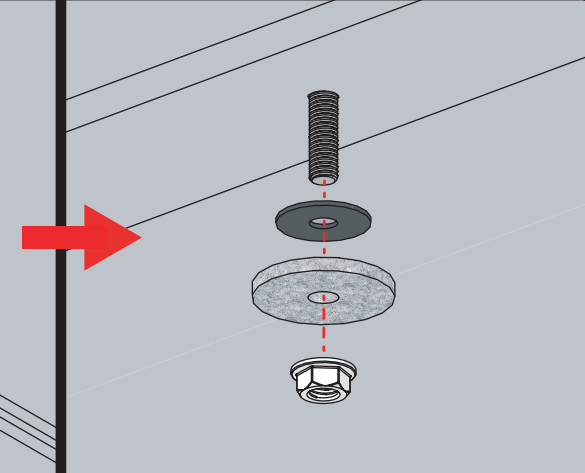
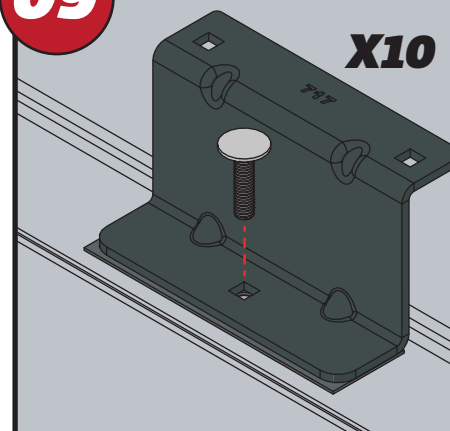


925

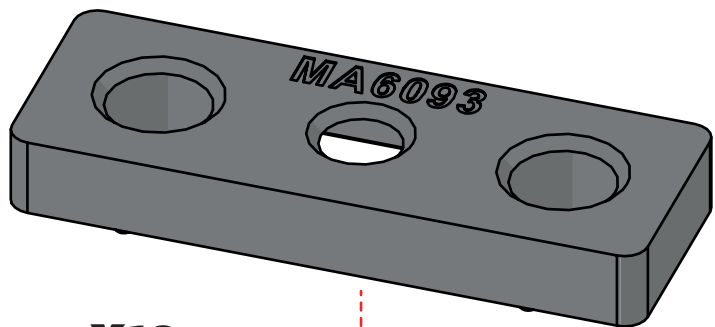


06

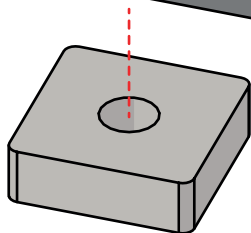


**07****EN** - STICK GASKETS TO ALL BRACKETS**DE** - KLEBEN SIE DIE DICHTUNG AN ALLEN HALTERUNGEN**FR** - COUSSINETS ADHÉSIFS À TOUS LES SUPPORTS**NL** - PLAK PAKKING OP ALLE BEUGELS**ES** - PEGA LAS ALMOHADILLAS A TODOS LOS SOPORTES**IT** - ADESIVI GUARNIZIONI A TUTTE LE STAFFE**SV** - FÄST GUMMI PÅ ALLA FÄSTEN**DA** - KLÆB GUMMI PÅ ALLE BESLAG**NO** - PLIST GUMMI PÅ ALLE BRAKKETTER**PL** - NAKLEJ USZCZELKI DO WSZYSTKICH WSPORNIKÓW**CS** - PŘILEPTE TĚSNĚNÍ NA VŠECHNY DRŽÁKY**08****09**

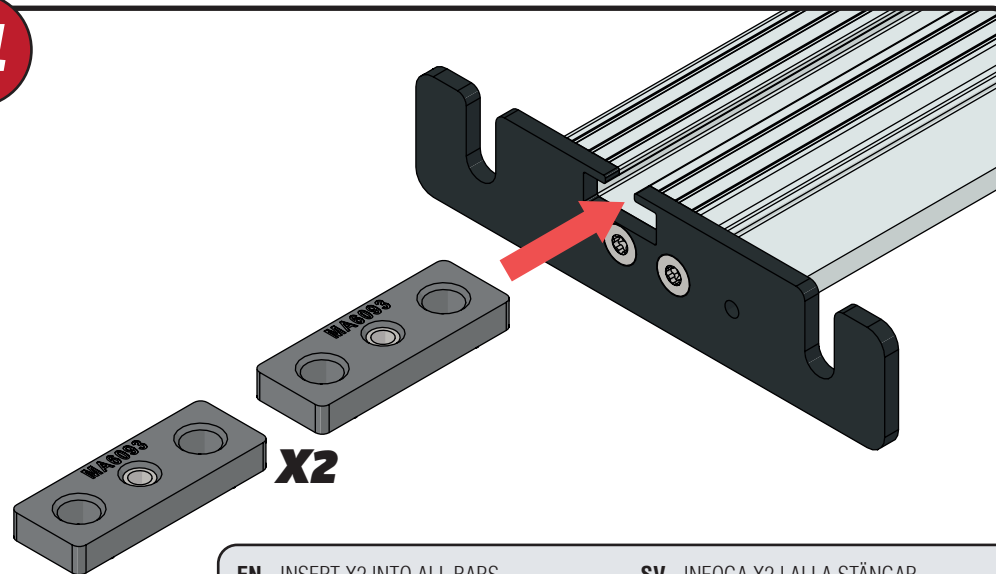
10



X18



11



EN - INSERT X2 INTO ALL BARS

DE - X2 IN ALLE STANGEN EINFÜGEN

FR - INSÉRER X2 DANS TOUTES LES BARRES

NL - PLAATS X2 IN ALLE BARS

ES - INSERTAR X2 EN TODAS LAS BARRAS

IT - INSERIRE X2 IN TUTTE LE BARRE

SV - INFOGA X2 I ALLA STÄNGAR

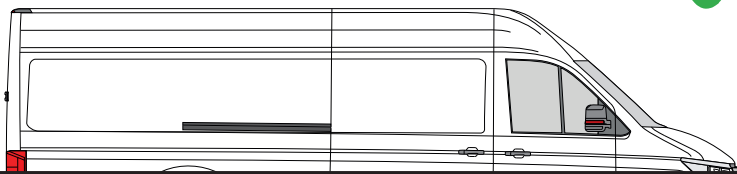
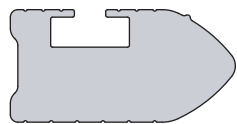
DA - INDSÆT X2 I ALLE STÆNGER

NO - SETT X2 INN I ALLE TAKSTENGER

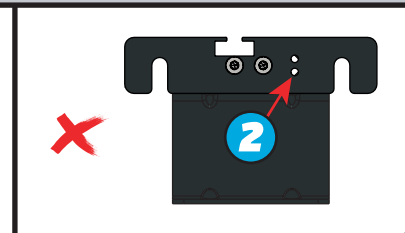
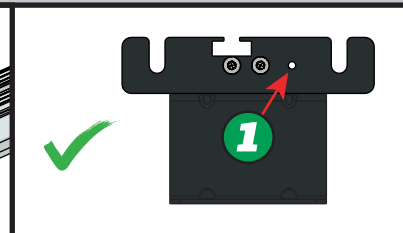
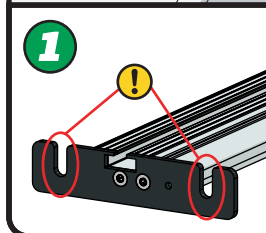
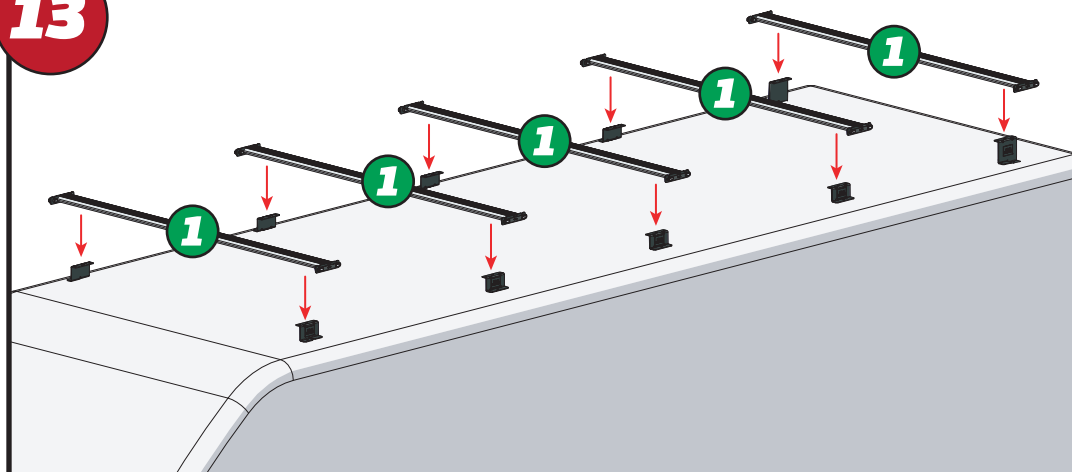
PL - WSTAW X2 DO WSZYSTKICH PRĘTÓW

CS - VLOŽTE X2 DO VŠECH TYČÍ

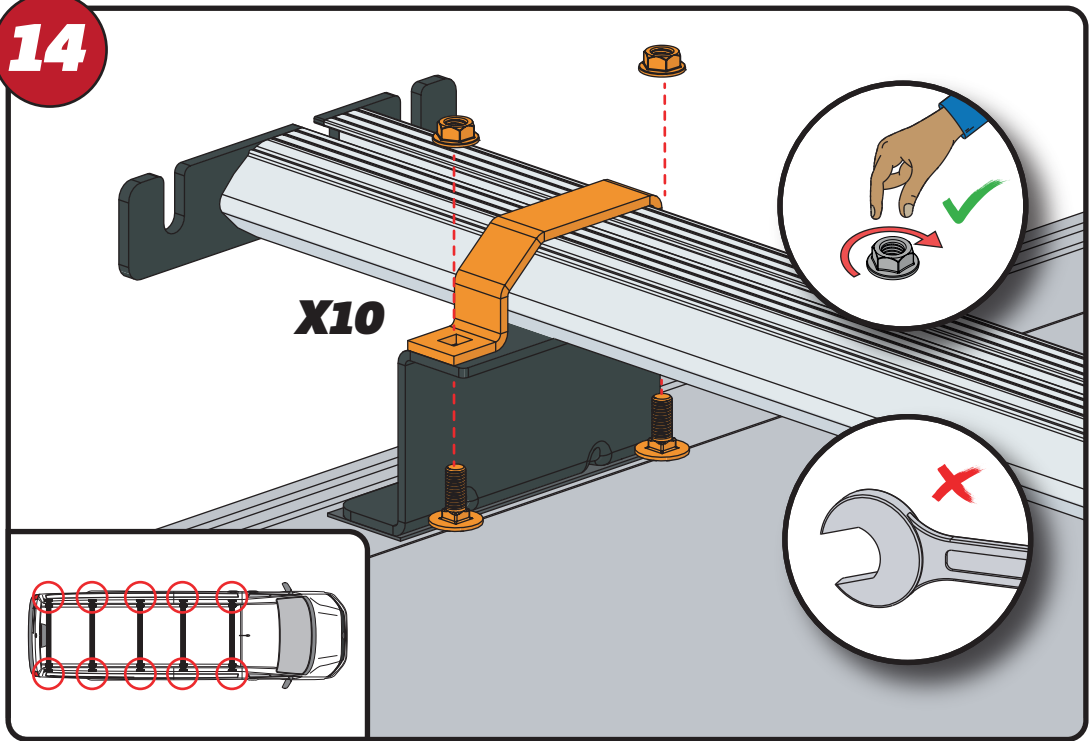
12



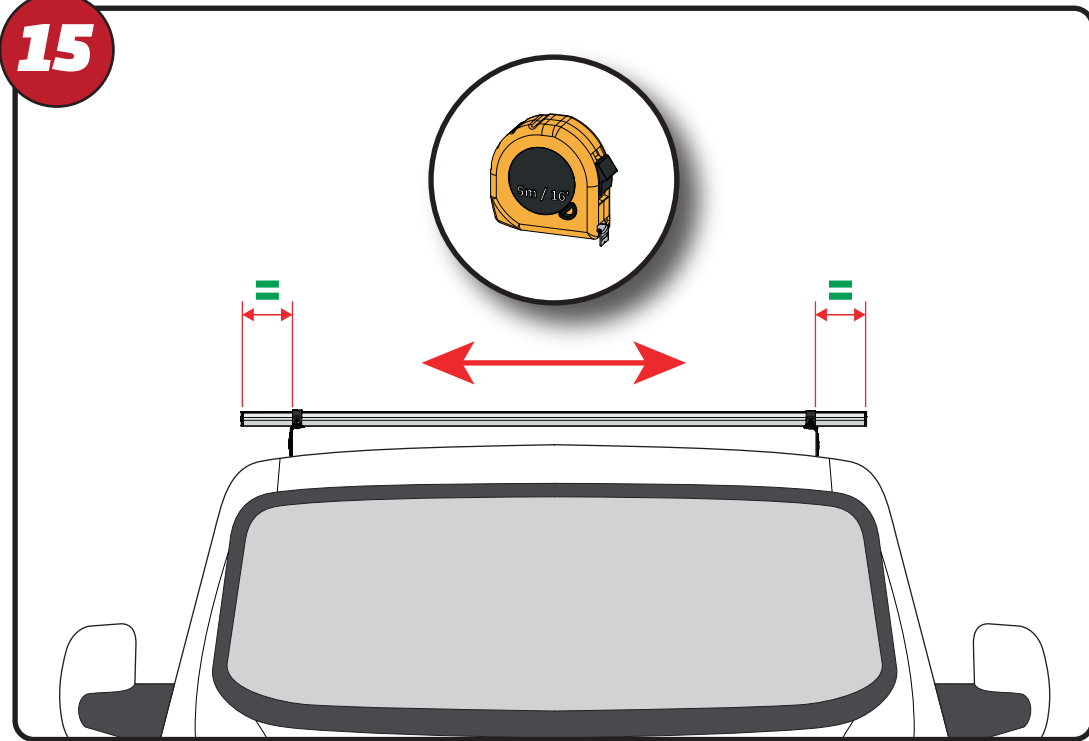
13



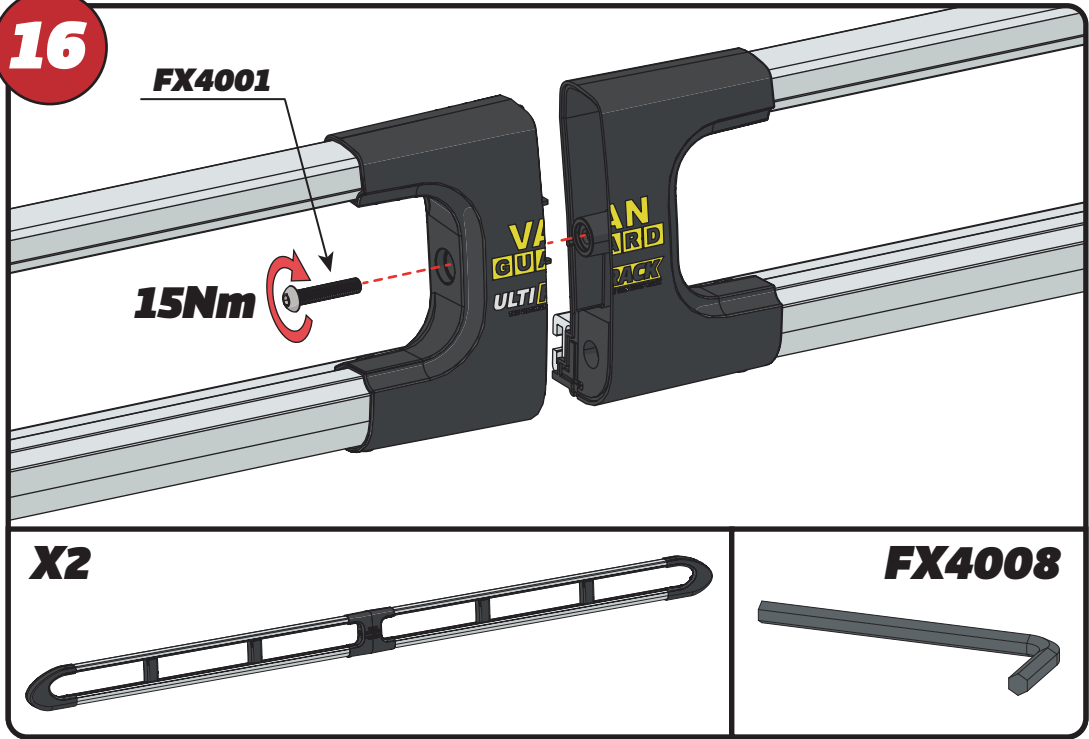
14



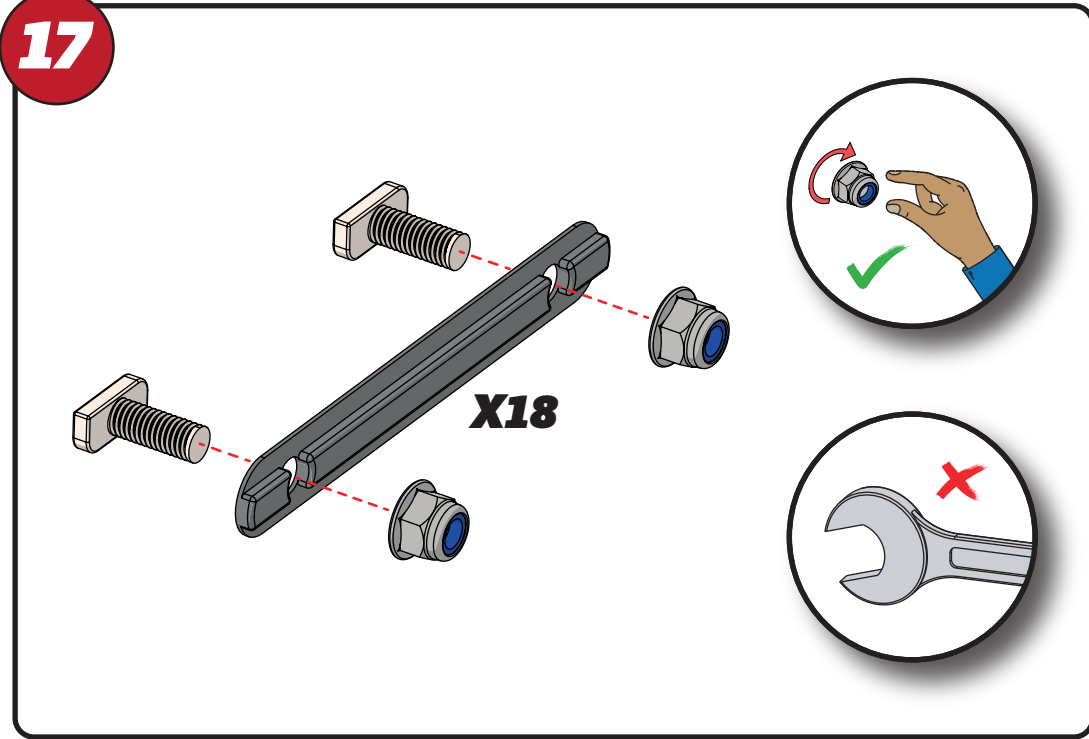
15



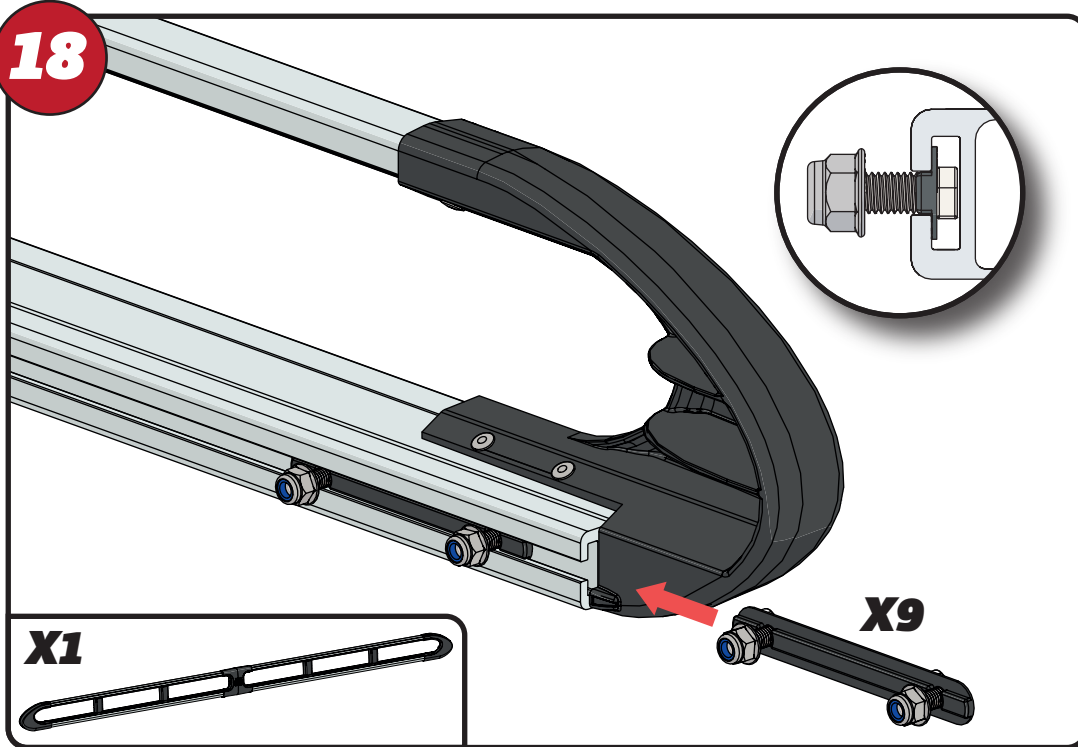
16



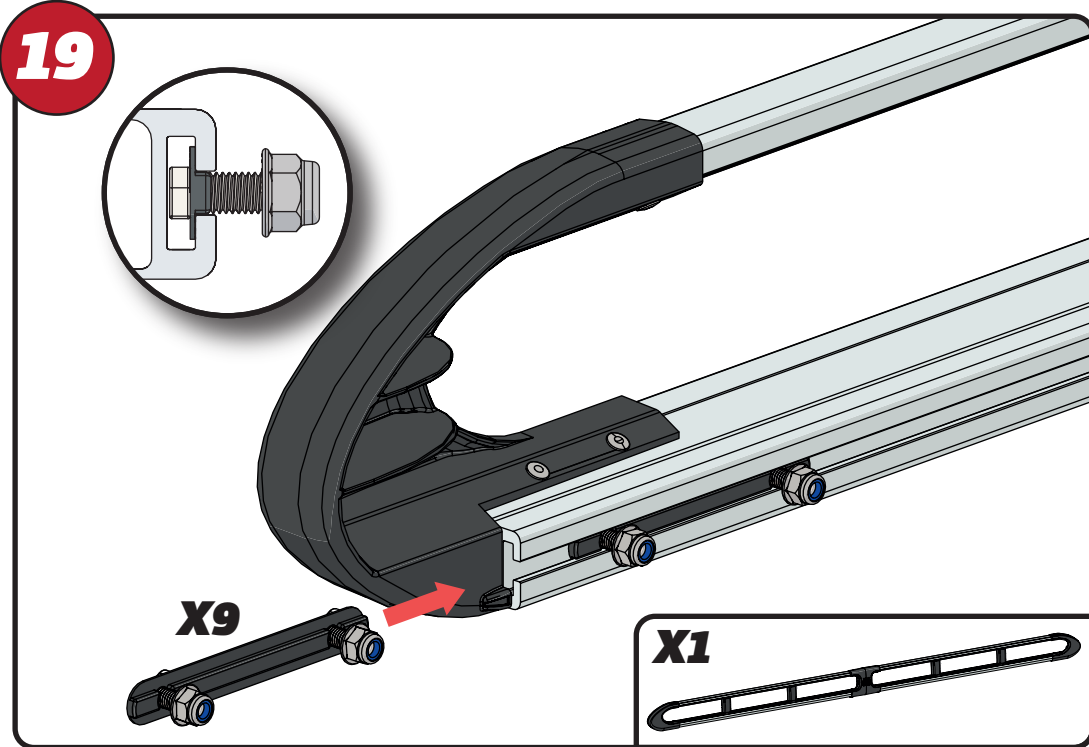
17



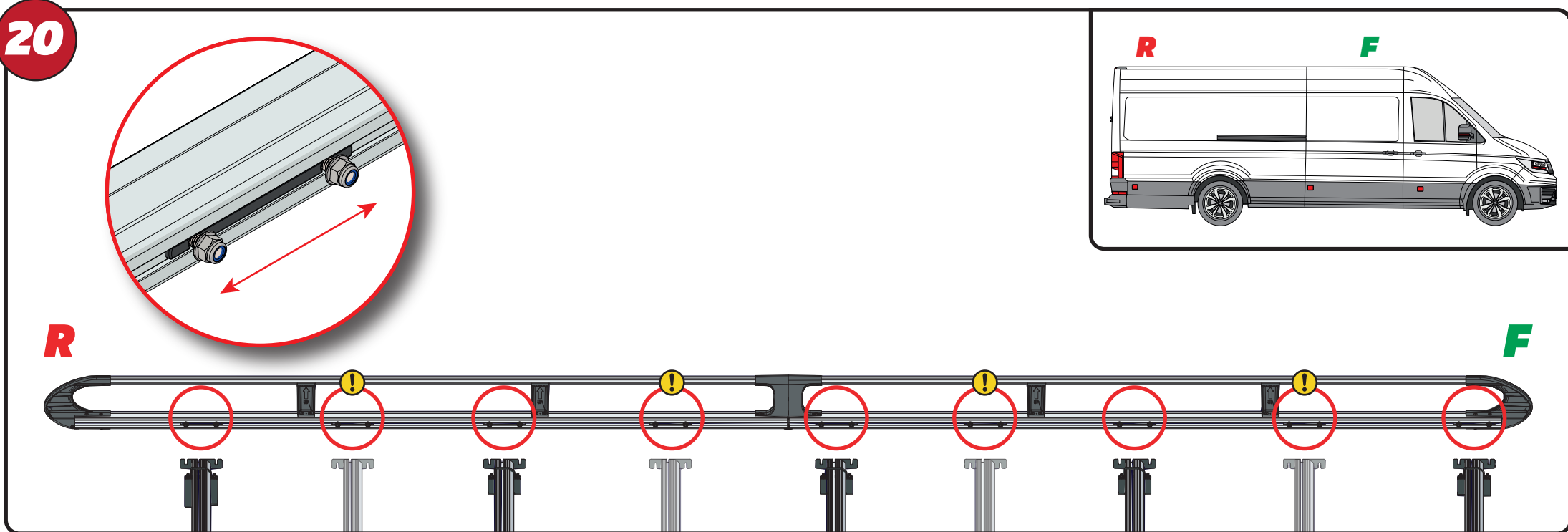
18



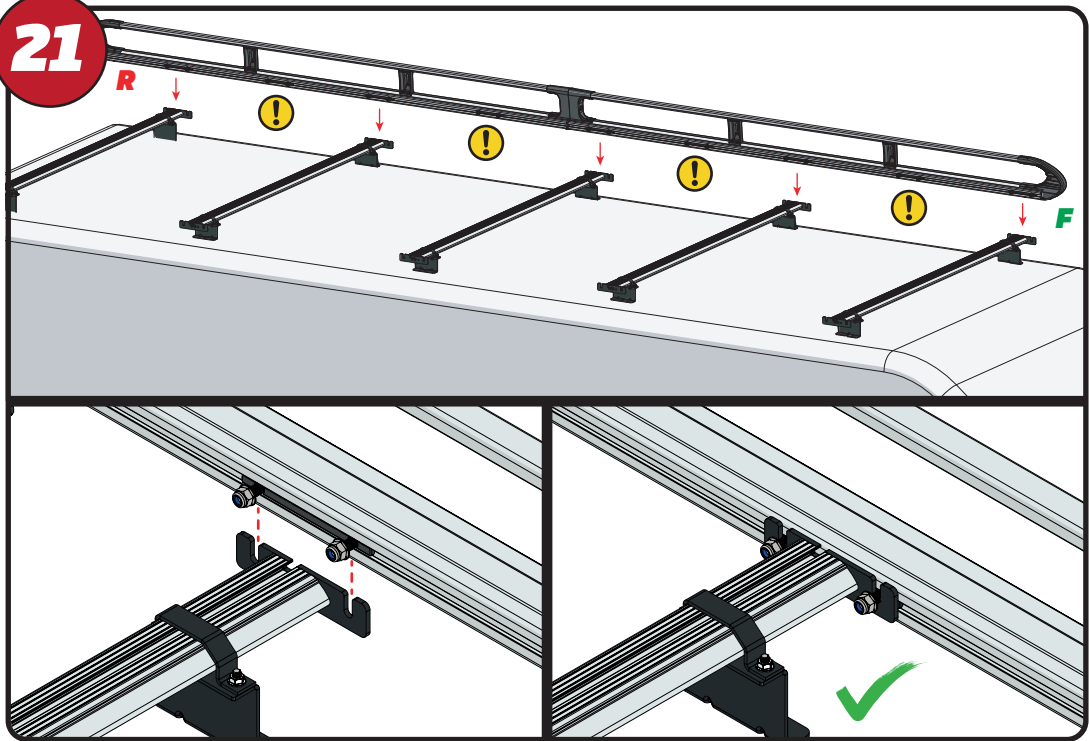
19



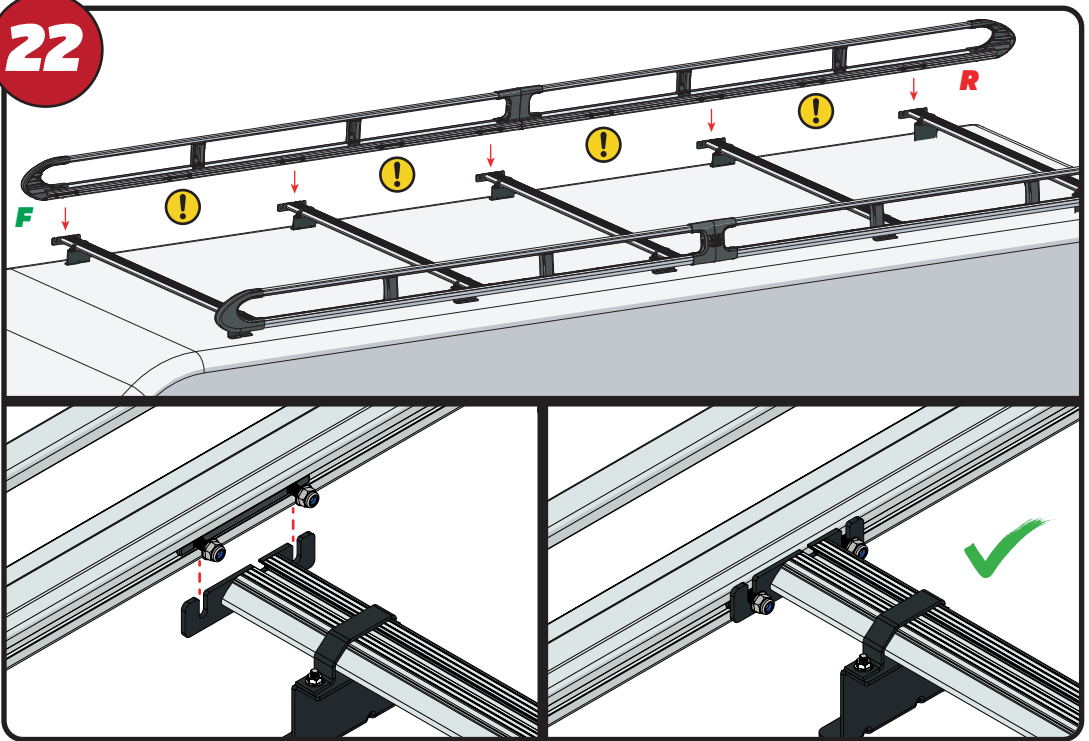
20



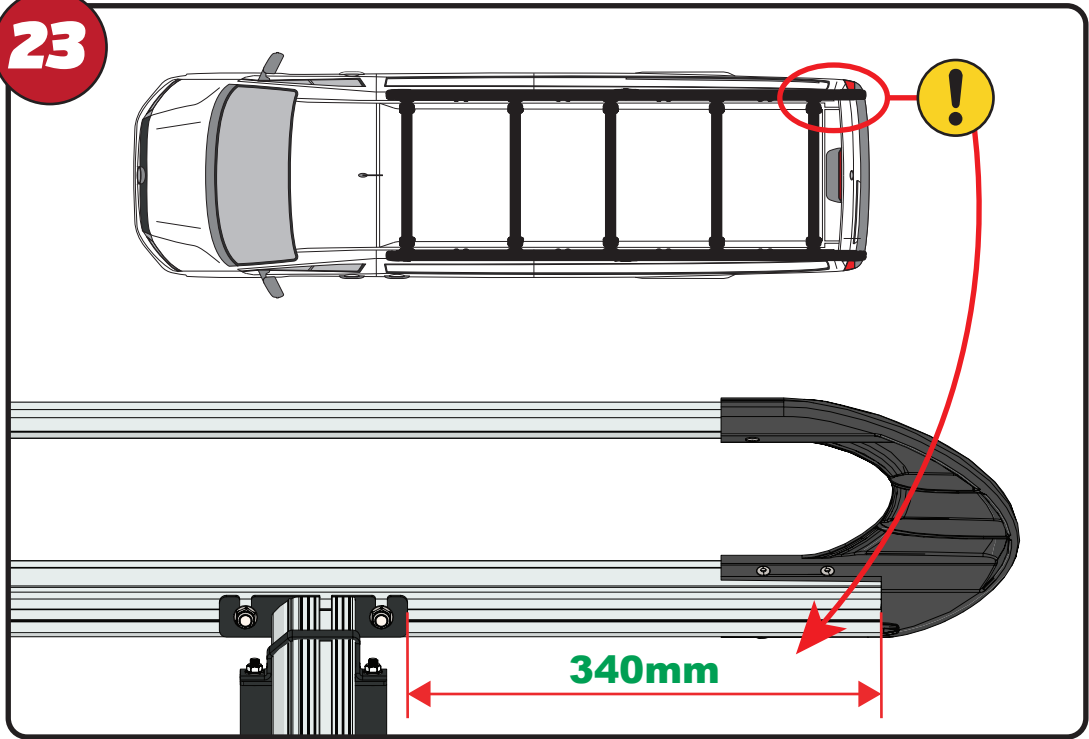
21



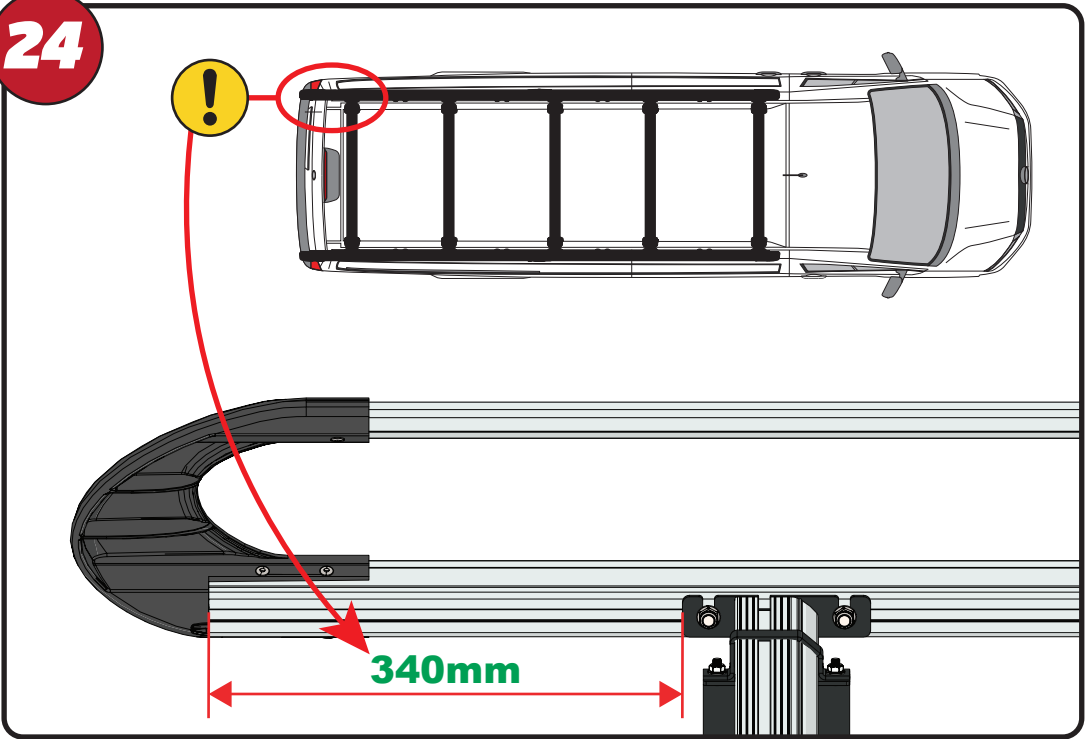
22

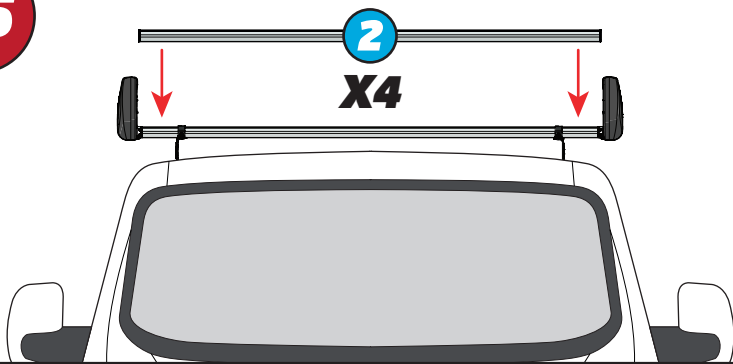
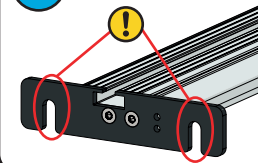


23

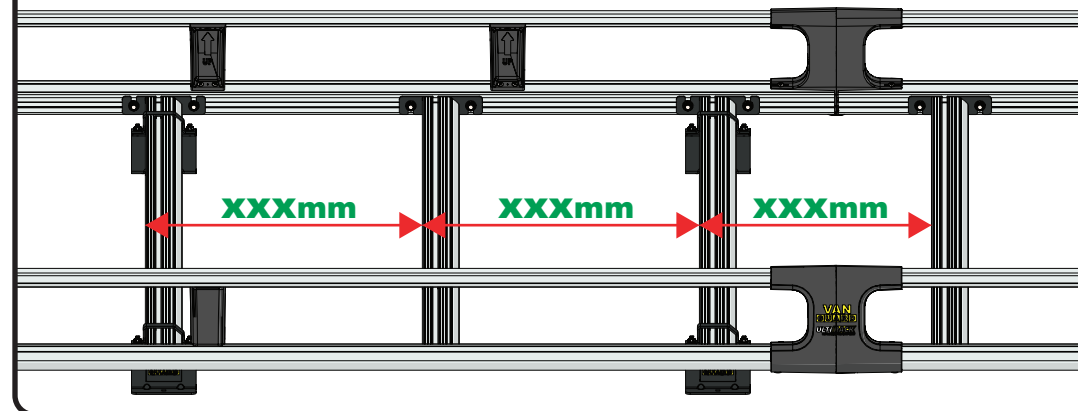
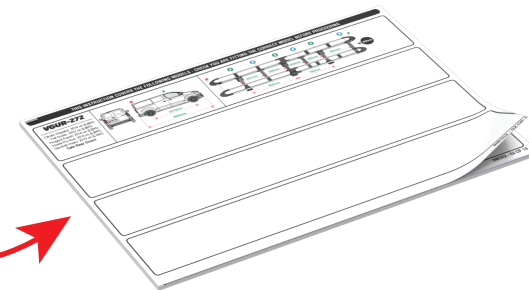
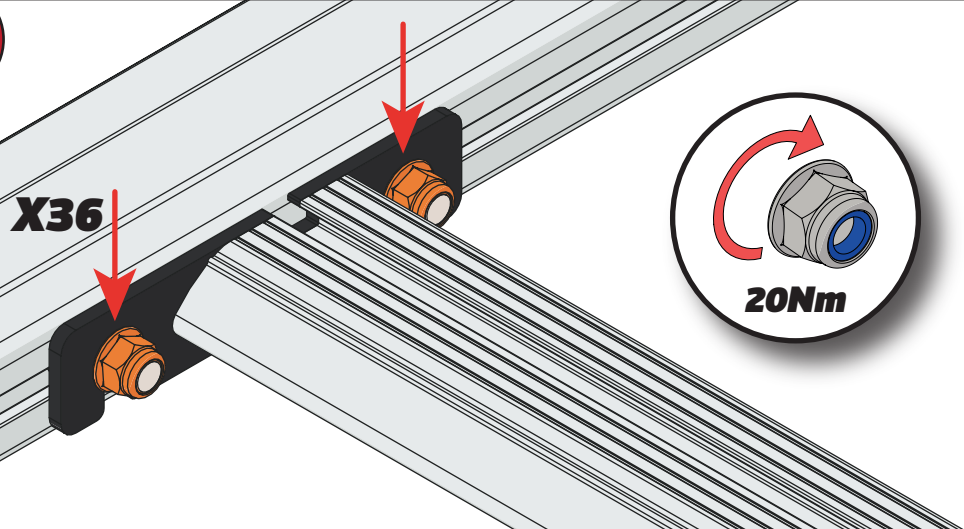


24



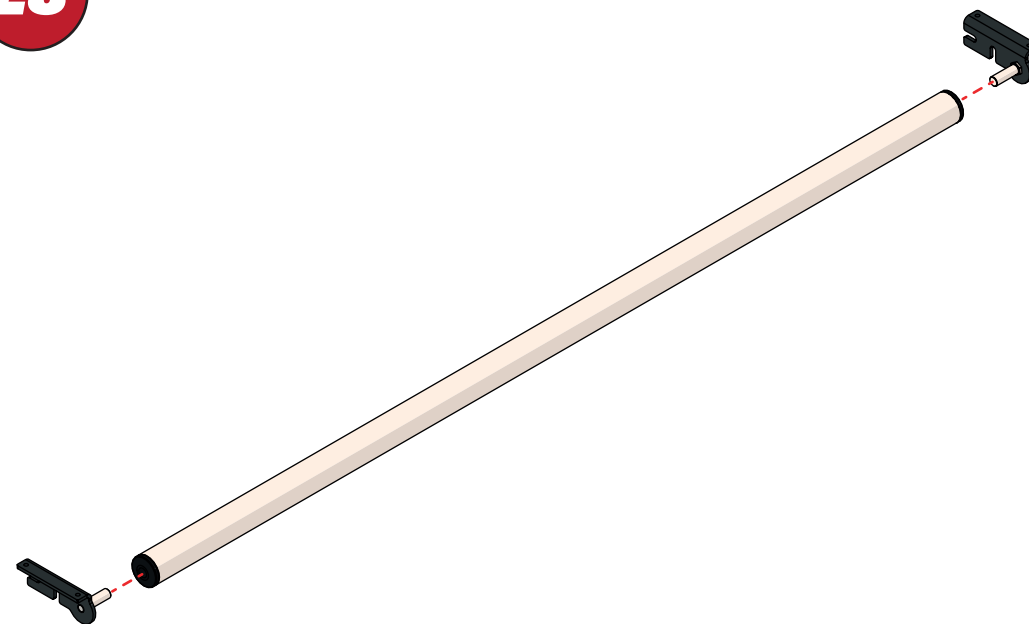
**25****2****26**

XXX =  
PAGE 2 OF 15

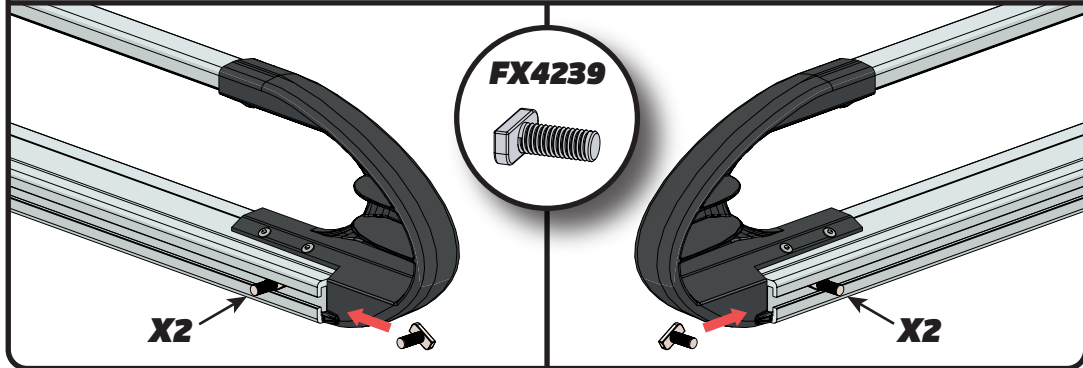
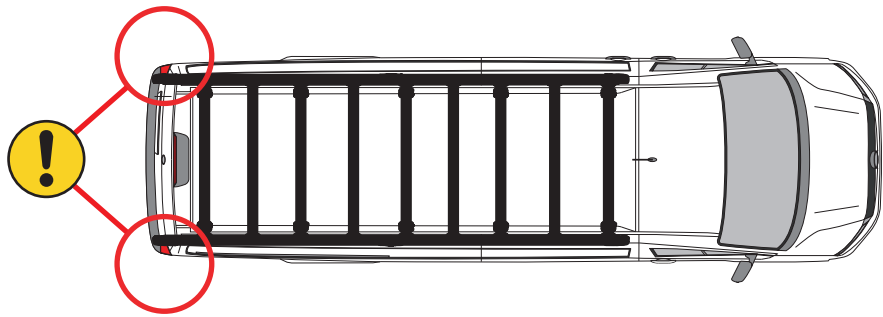
**27**

EN - TIGHTEN ALL OF THE CROSS BARS  
 DE - ALLE QUERSTANGEN FESTZIEHEN  
 FR - SERREZ TOUTES LES BARRES TRANSVERSALES  
 NL - DRAAI ALLE DWARSBALK VAN HET DAK AAN  
 ES - APRIETE TODAS LAS BARRAS TRANSVERSALES  
 IT - STRINGERE TUTTE LE BARRE TRASVERSALI

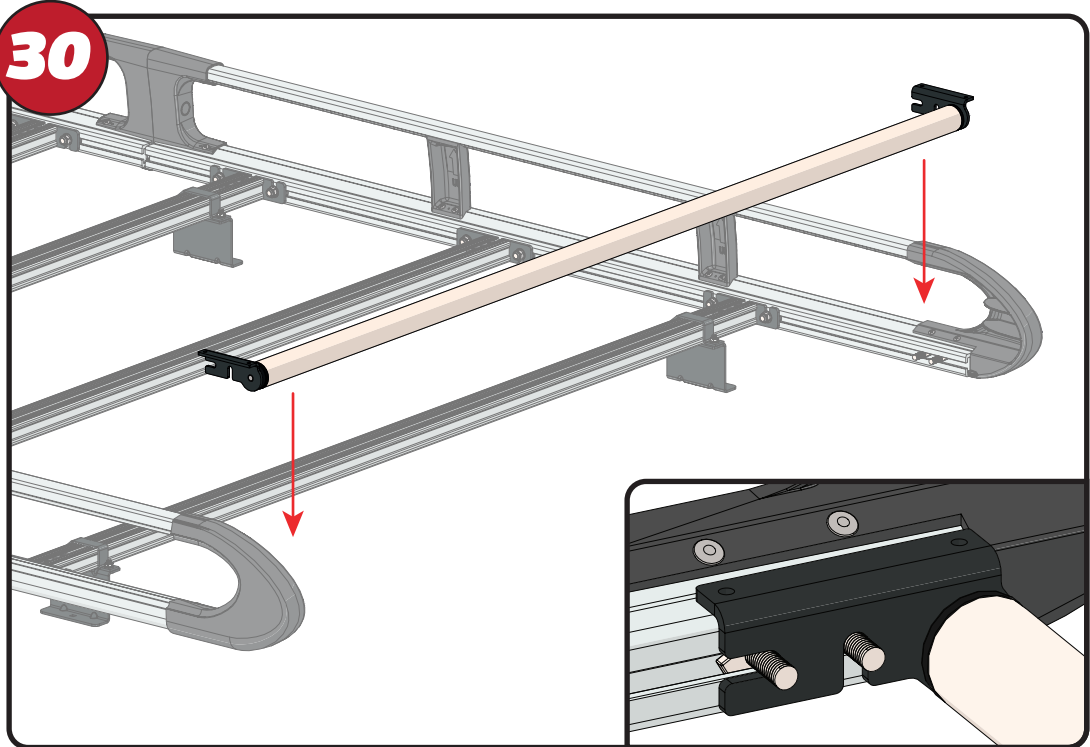
SV - SKRÛ UPP ALLA KORSSTANGAR  
 DA - SKRU ALLE TAGBØJLER OP  
 NO - SKRU OPP ALLE TVERRSTENGER  
 PL - DOKRĘCIĆ WSZYSTKIE POPRZECZKI  
 CS - VŠECHNY PŘÍČNÉ TYČE SEŠROUJTE

**28**

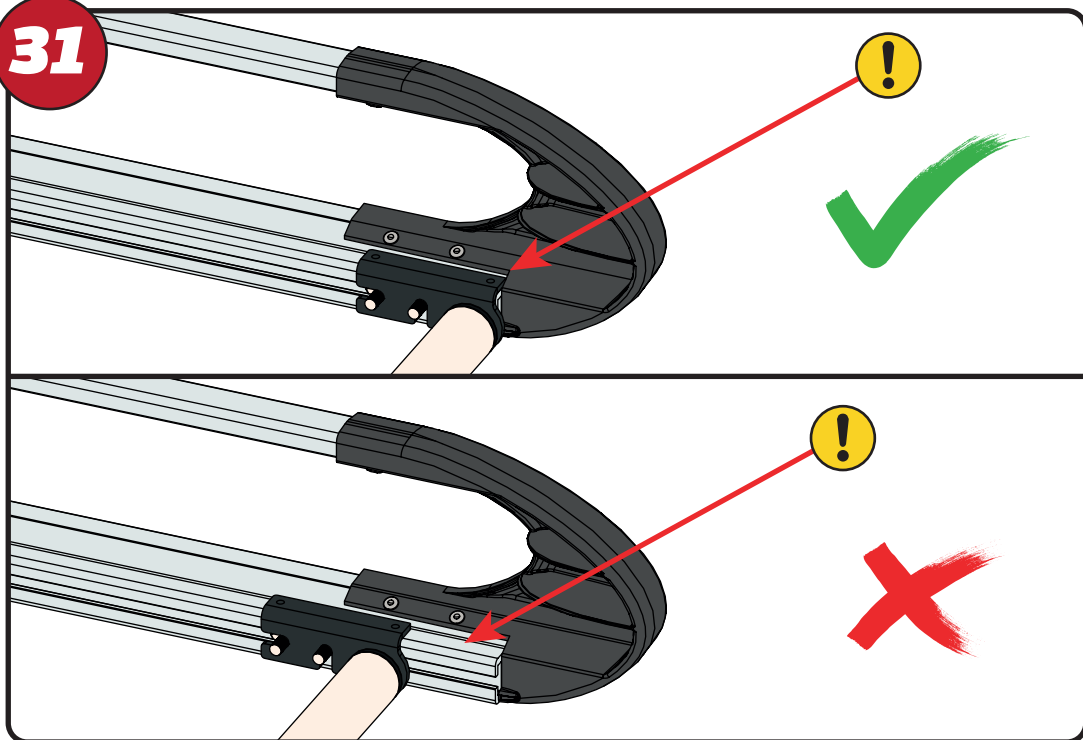
29



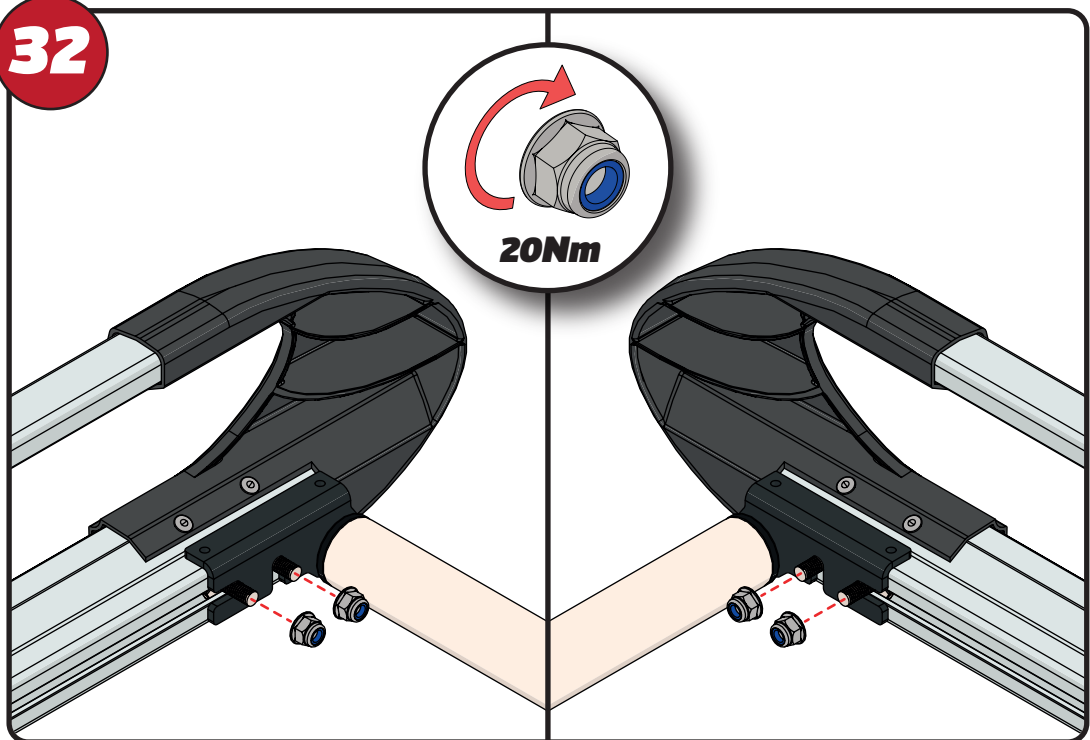
30



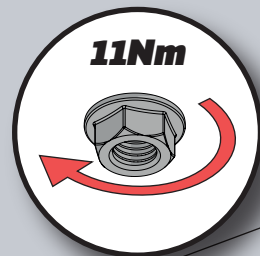
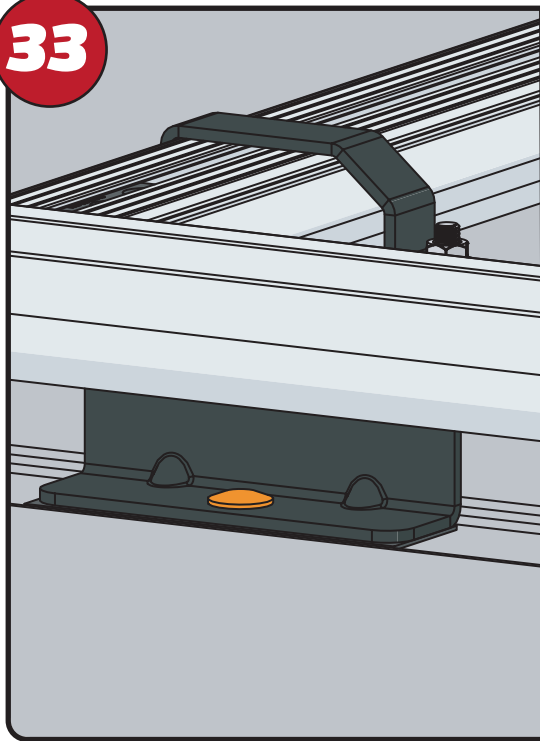
31



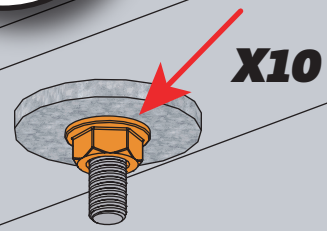
32



**33**

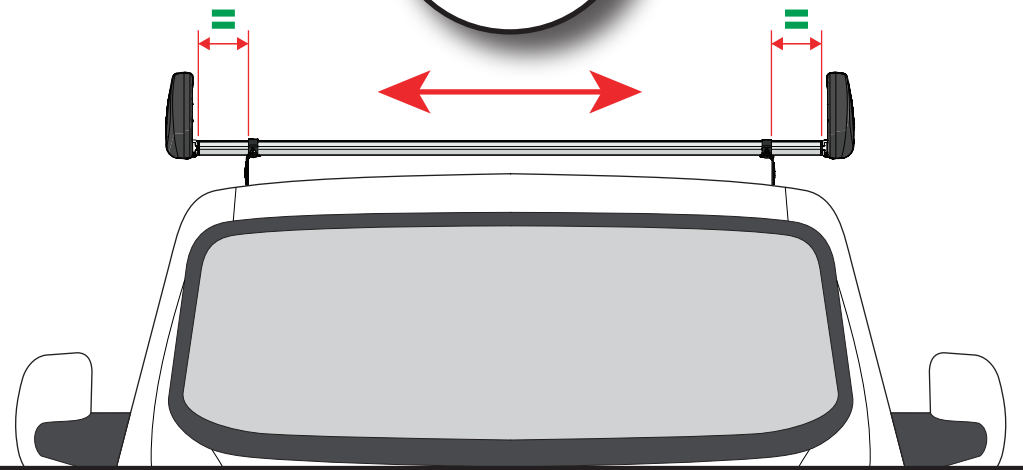
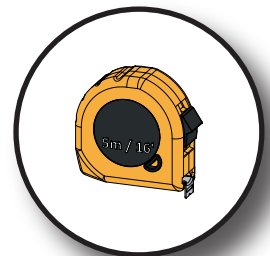


**11Nm**

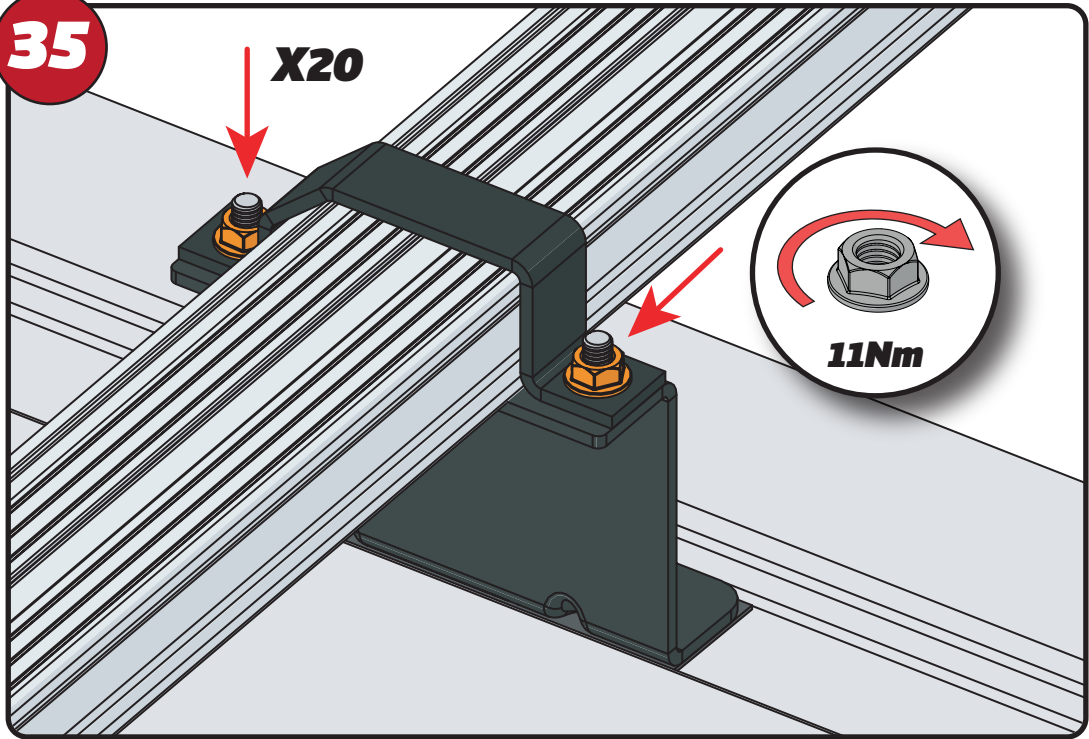


**X10**

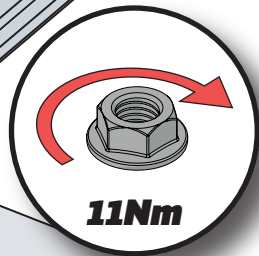
**34**



**35**



**X20**



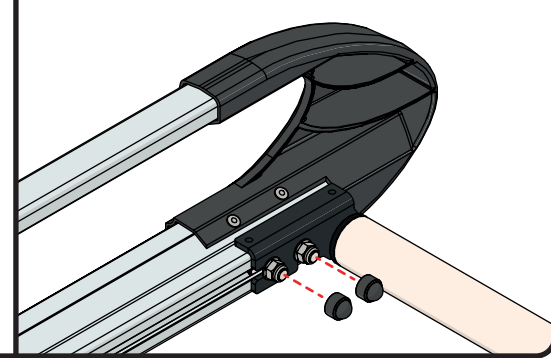
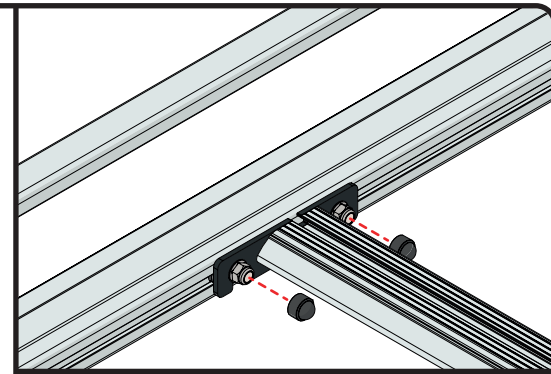
**11Nm**

**36**



**FX4241**

**X40**



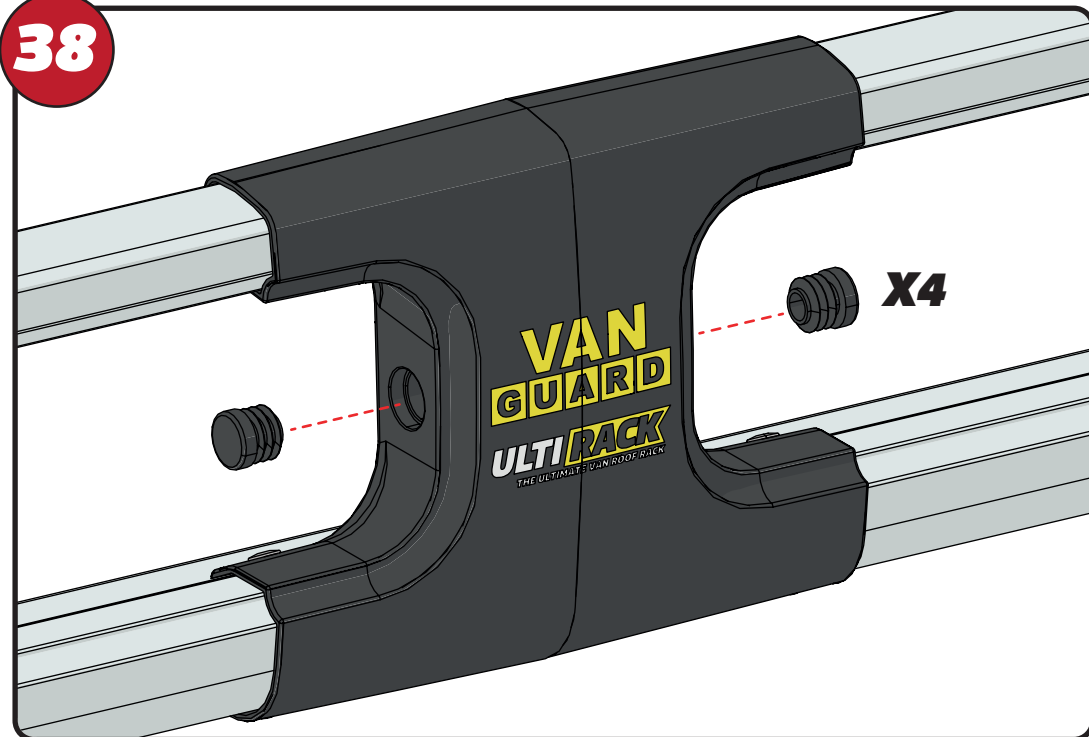
37

X10



38

X4



39

