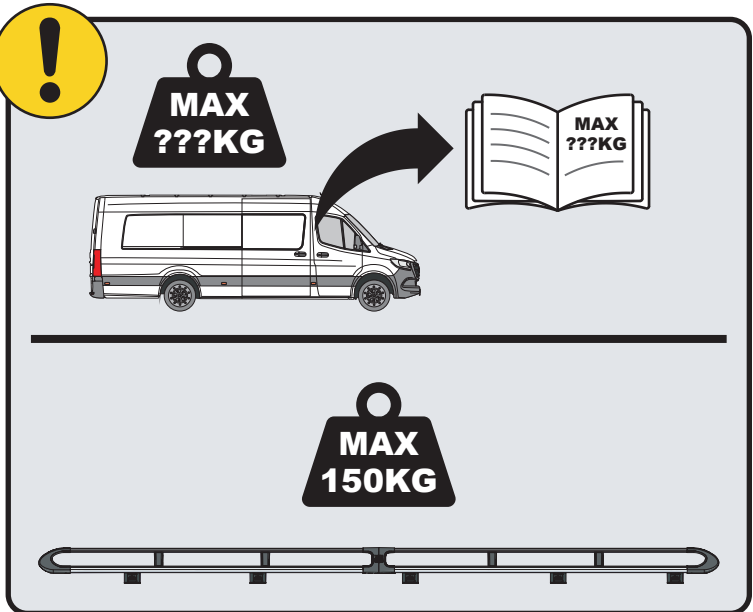
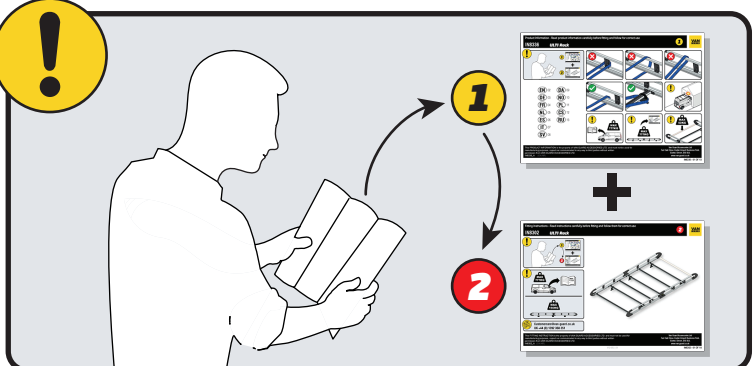


IN8487

ULTI Rack+



 Customercare@van-guard.co.uk
UK +44 (0) 1392 368 351



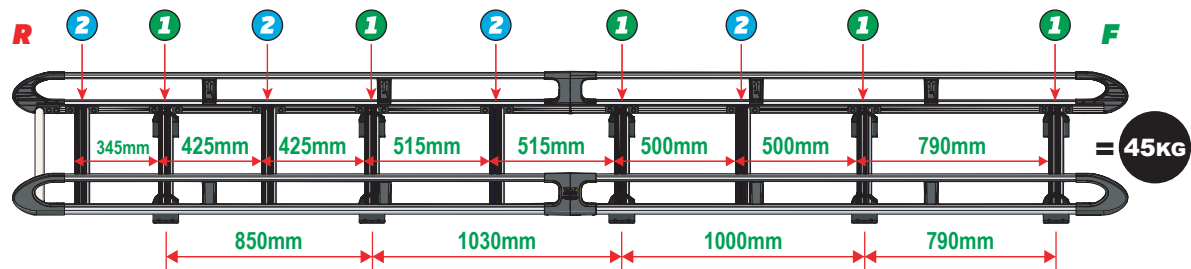
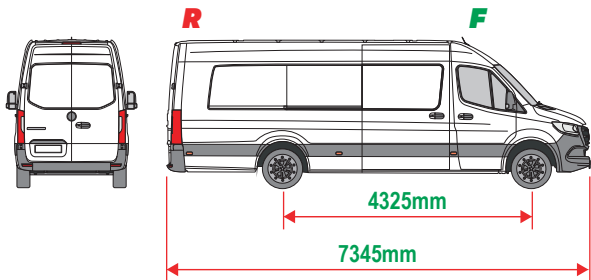
This FITTING INSTRUCTION is the property of VAN GUARD ACCESSORIES LTD. and must not be used for manufacturing purposes, copied nor communicated in any way to third parties without written permission from VAN GUARD ACCESSORIES LTD.
IN8487_A (CN:NR)

Van Guard Accessories Ltd
Fair Oak Close, Exeter Airport Business Park,
Exeter, Devon, EX5 2UL
www.van-guard.co.uk

THIS INSTRUCTION COVERS THE FOLLOWING MODELS - CHECK YOU ARE FITTING THE CORRECT MODEL BEFORE PROCEEDING

VGUR-306

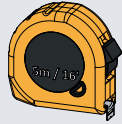
Mercedes Sprinter: 2006 on
 Volkswagen Crafter: 2007-2017
L4H2 (XLWB)
 Twin Rear Doors



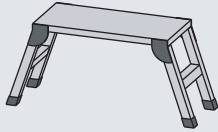
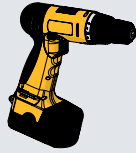
SUPPLIED COMPONENTS - CHECK ALL PARTS ARE PRESENT AND CORRECT BEFORE PROCEEDING (1 OF 2)

TOOLS REQUIRED

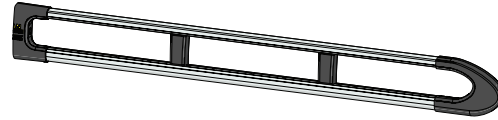
10MM X1



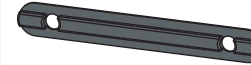
13MM X1



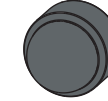
AS3555 X2
(4400 / A)



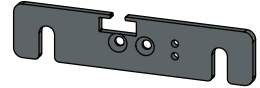
MA6118 X18



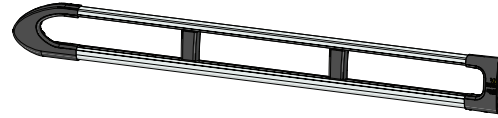
FX4241 X40



ME1622 X4



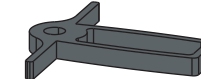
AS3554 X2
(4400 / B)



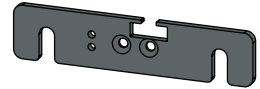
FX4008 X1



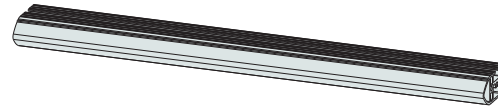
MA6145 X1



ME1623 X4



ME1628 X9
(1554mm)



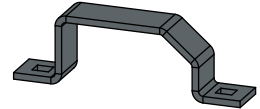
FX4001 X2
(M8X40)



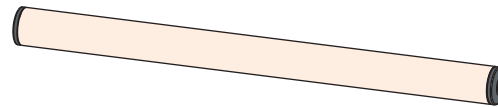
FX4235 X36
(M5X25)



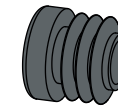
ME0203 X10



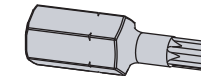
AS3160 X1
(1540mm)



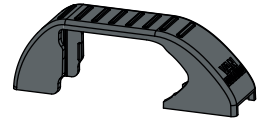
MA6007 X4



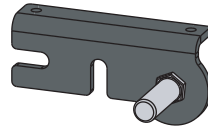
FX4248 X1
(T25)



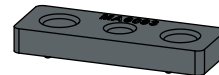
MA6065 X10



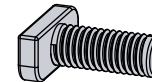
AS3590 X1



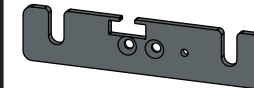
MA6093 X18



FX4239 X40
(M8X20)



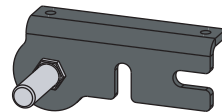
ME1620 X5



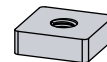
FX4016 X30
(M6)



AS3591 X1



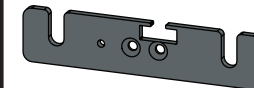
ME0316 X18



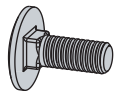
FX4240 X40
(M8)



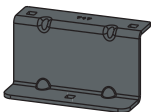
ME1621 X5



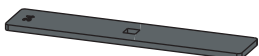
FX4042 X20
(M6X16)



ME0717 X10



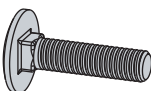
ME0034 X10



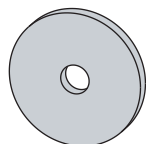
FX4014 X10



FX4022 X10
(M6X25)



FX4023 X10

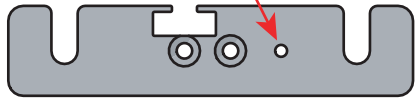


MA6018 X10



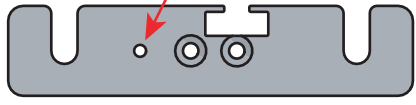
01

1L



X5

1R



X5

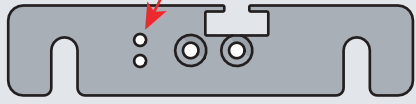


2L



X4

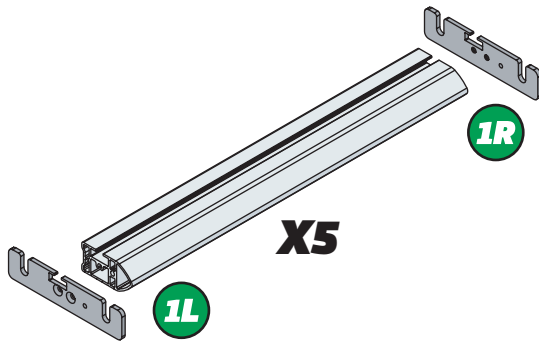
2R



X4

02

1R

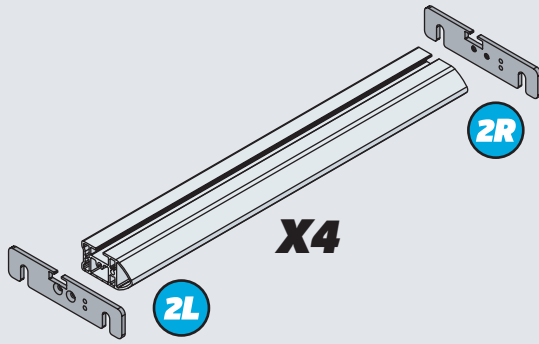


X5

1L



2R



X4

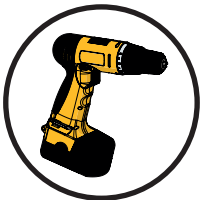
2L



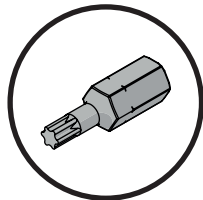
03

01

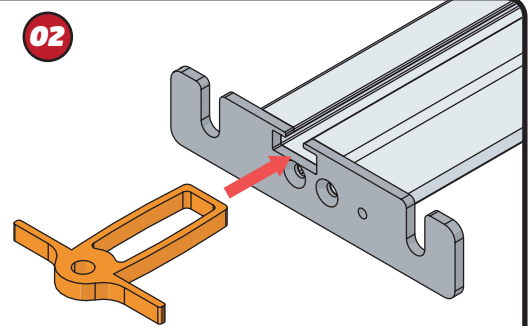
FX4248



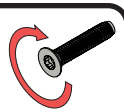
+



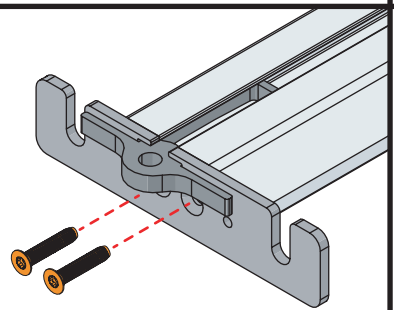
02



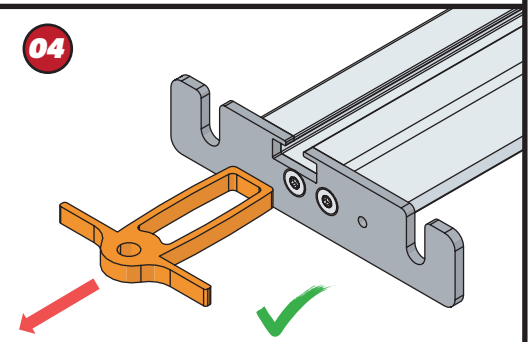
03



11Nm



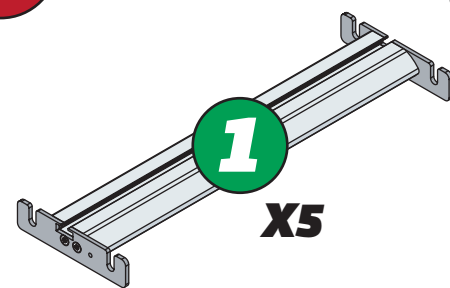
04



04

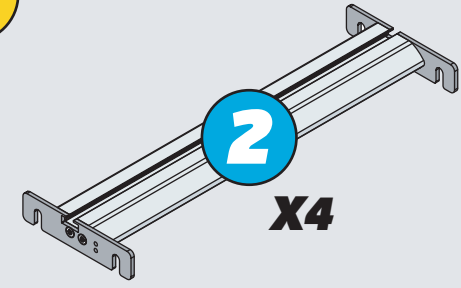


1

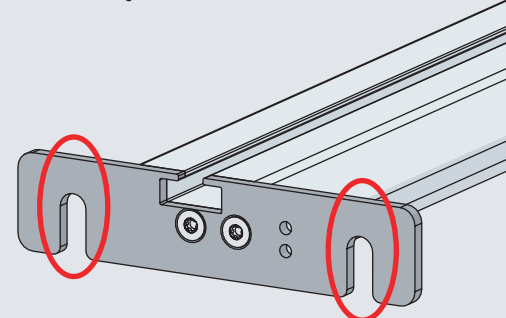
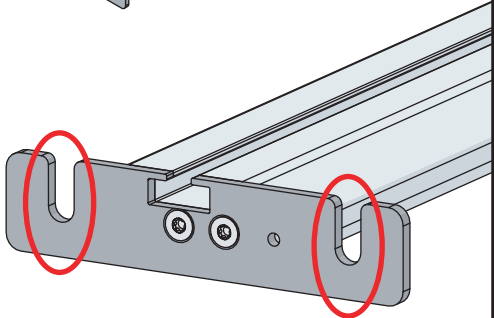


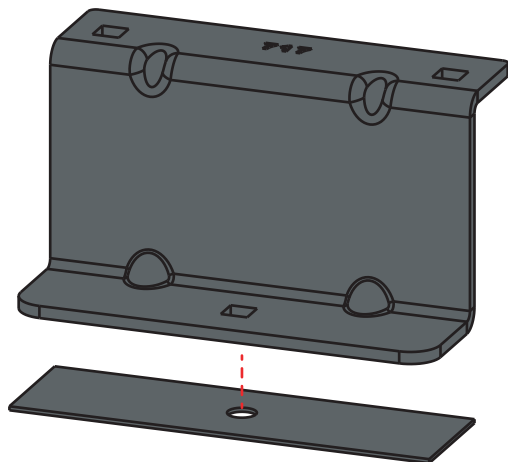
X5

2



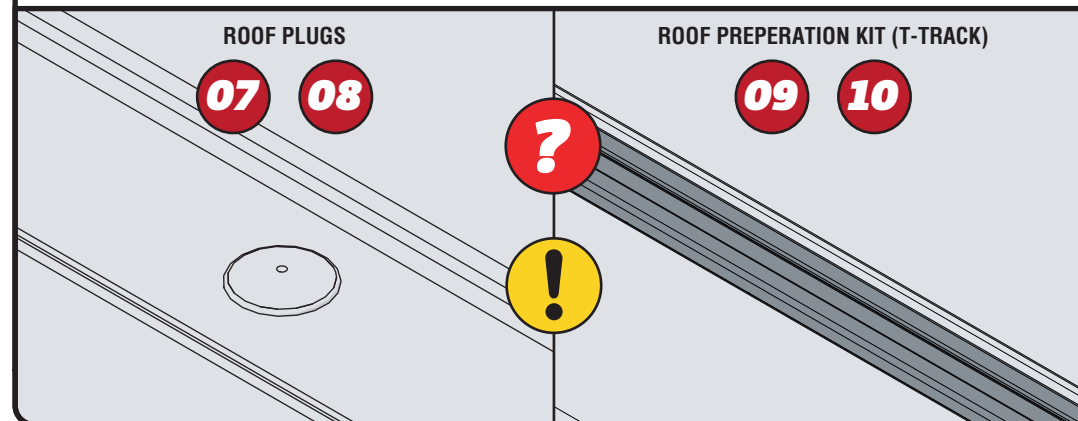
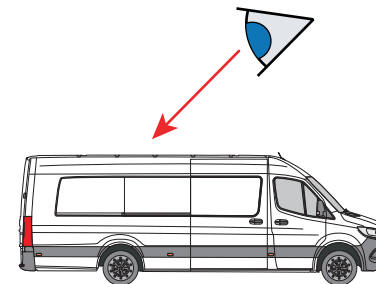
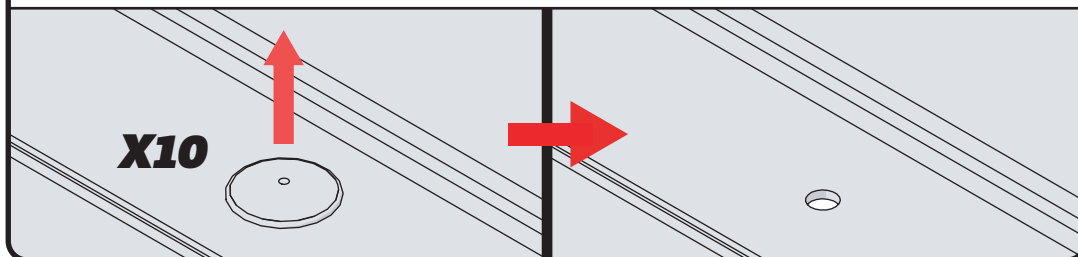
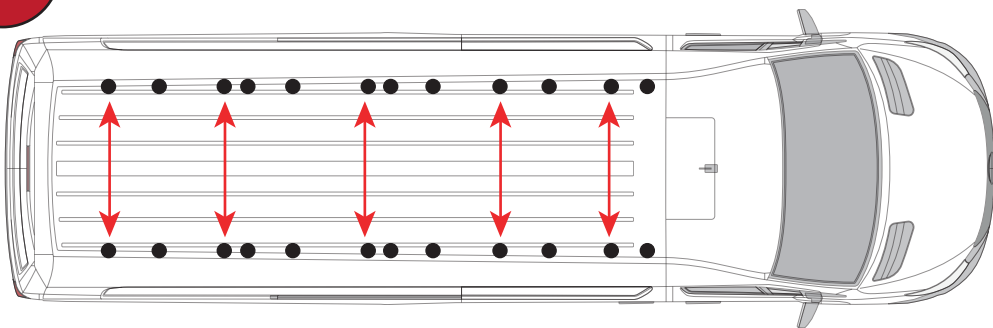
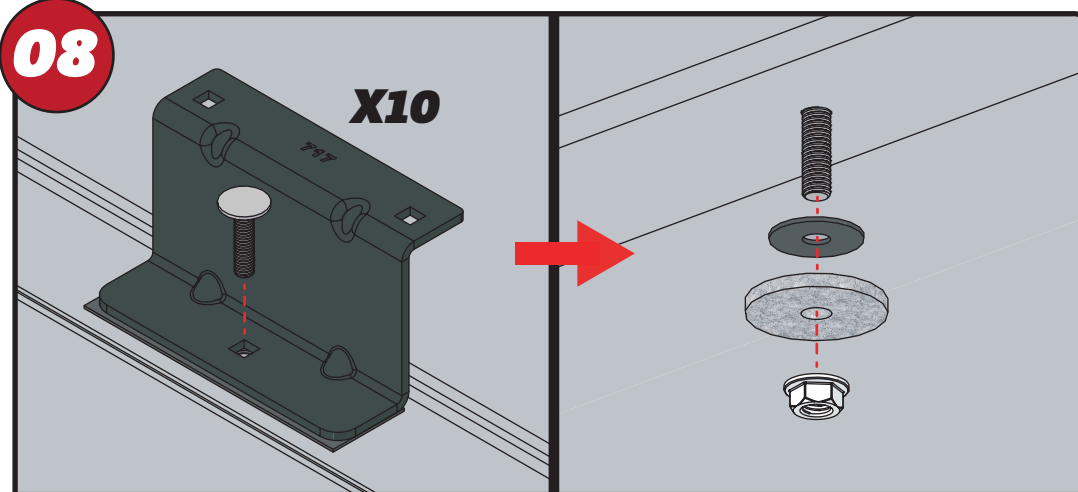
X4

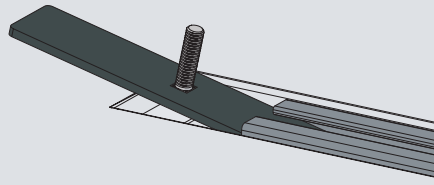
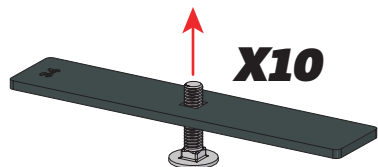
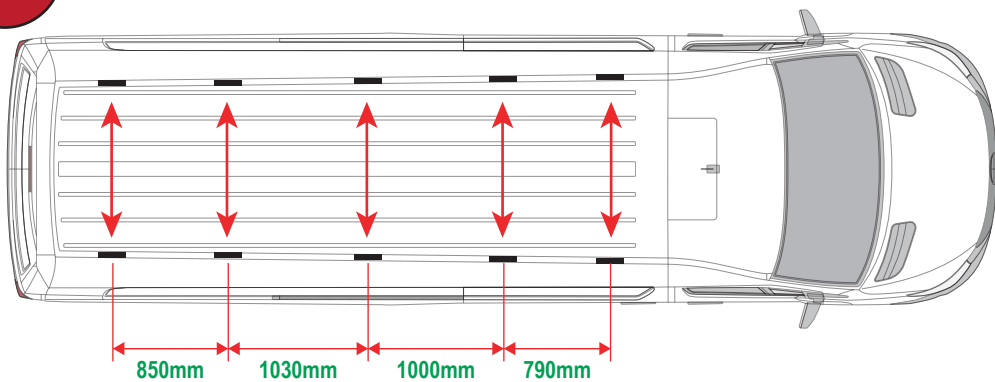
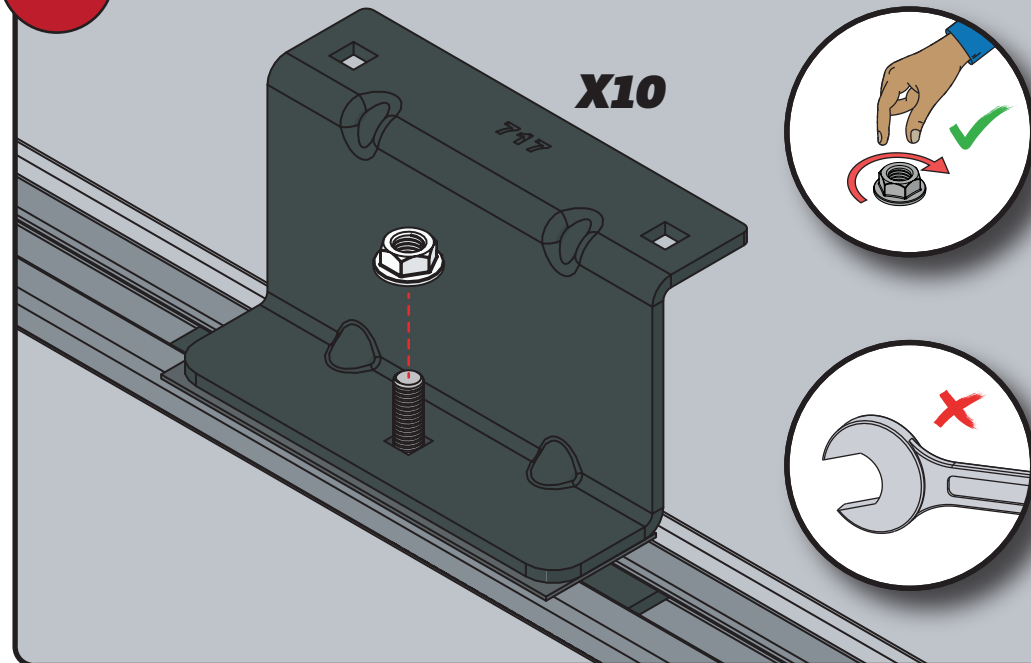
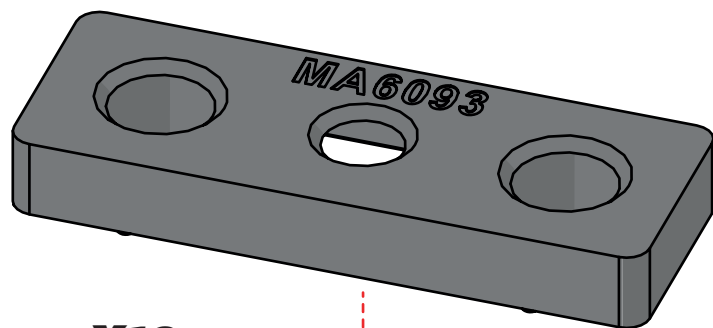
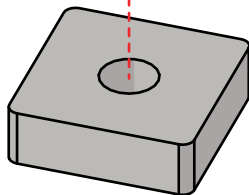
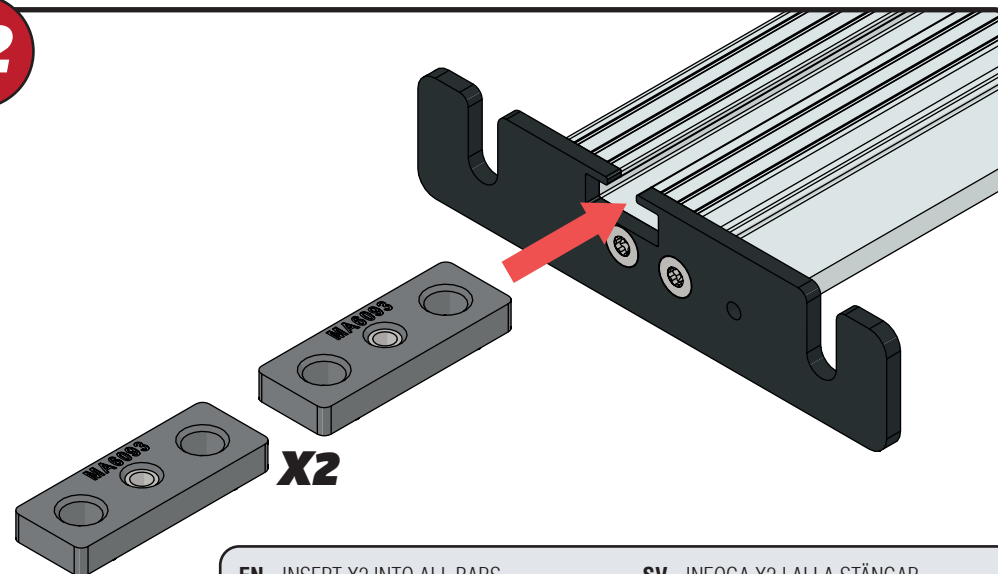


05

EN - STICK GASKETS TO ALL BRACKETS
 DE - KLEBEN SIE DIE DICHTUNG AN ALLEN HALTERUNGEN
 FR - COUSSINETS ADHÉSIFS À TOUS LES SUPPORTS
 NL - PLAK PAKKING OP ALLE BEUGELS
 ES - PEGA LAS ALMOHADILLAS A TODOS LOS SOPORTES
 IT - ADESIVI GUARNIZIONI A TUTTE LE STAFFE

SV - FÄST GUMMI PÅ ALLA FÄSTEN
 DA - KLÆB GUMMI PÅ ALLE BESLAG
 NO - PLIST GUMMI PÅ ALLE BRAKKETTER
 PL - NAKLEJ USZCZELKI DO WSZYSTKICH WSPORNIKÓW
 CS - PŘILEPTE TĚSNĚNÍ NA VŠECHNY DRŽÁKY

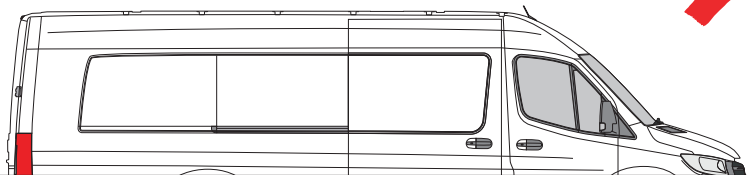
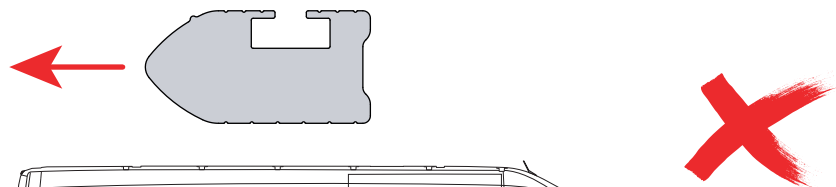
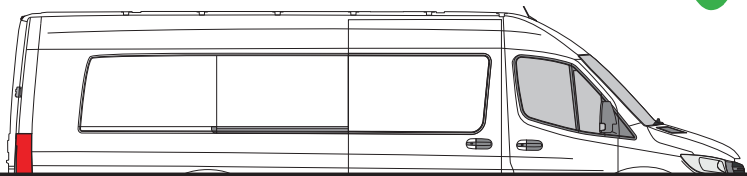
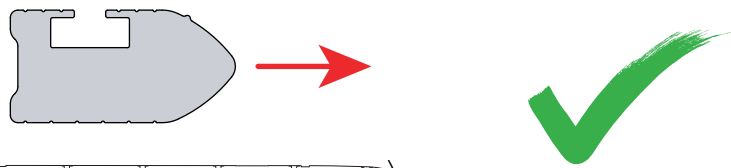
06**07****08**

09**10****11****X18****12**

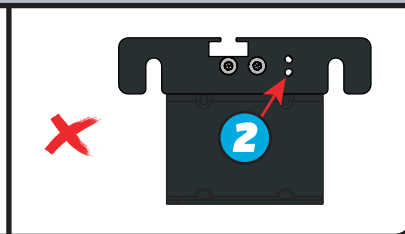
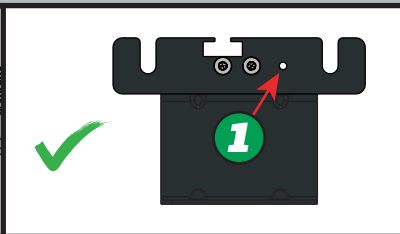
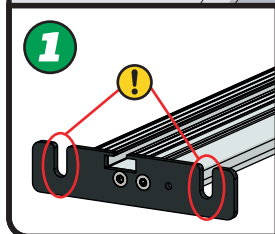
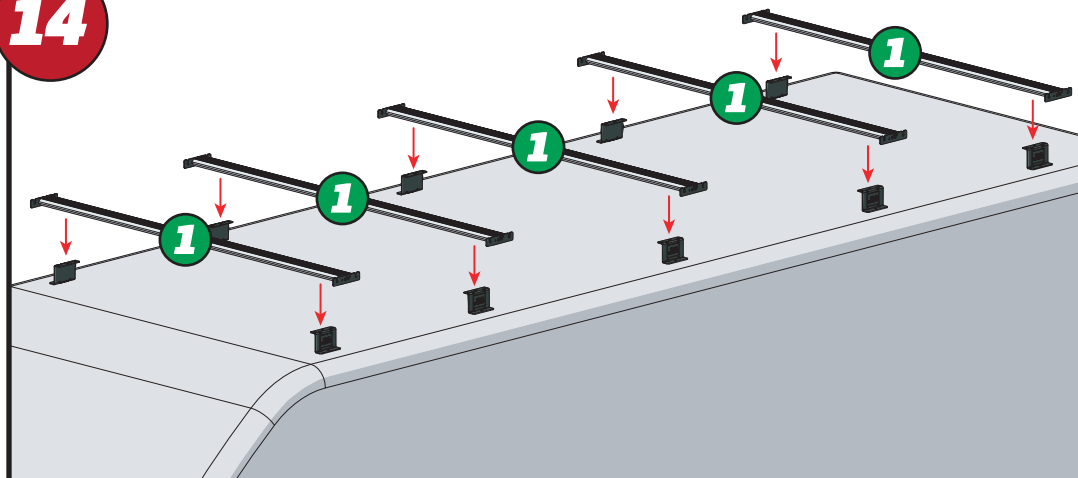
EN - INSERT X2 INTO ALL BARS
 DE - X2 IN ALLE STANGEN EINFÜGEN
 FR - INSÉRER X2 DANS TOUTES LES BARRES
 NL - PLAATS X2 IN ALLE BARS
 ES - INSERTAR X2 EN TODAS LAS BARRAS
 IT - INSERIRE X2 IN TUTTE LE BARRE

SV - INFOGA X2 I ALLA STÄNGAR
 DA - INDSÆT X2 I ALLE STÆNGER
 NO - SETT X2 INN I ALLE TAKSTENGER
 PL - WSTAW X2 DO WSZYSTKICH PRĘTÓW
 CS - VLOŽTE X2 DO VŠECH TYČÍ

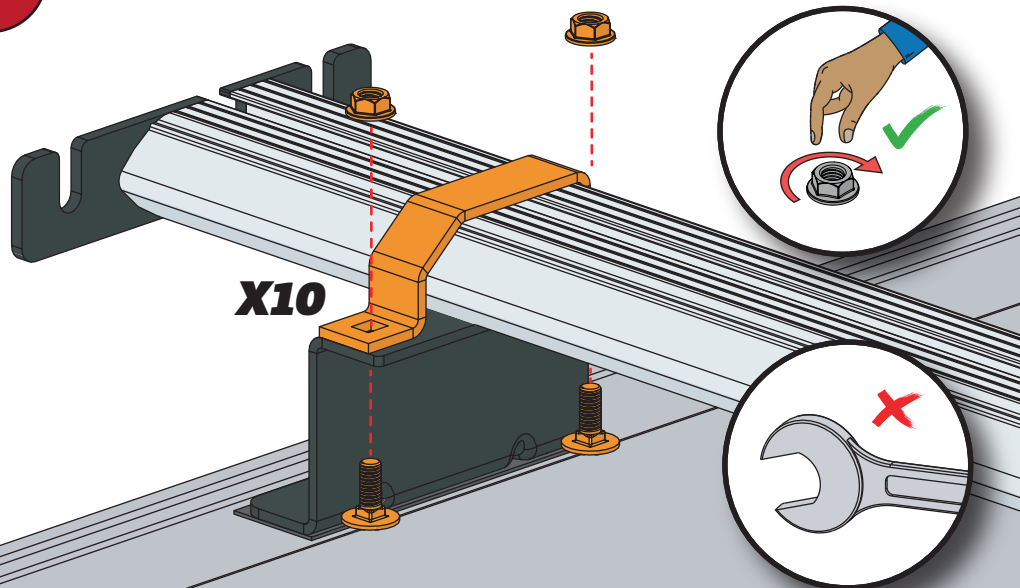
13



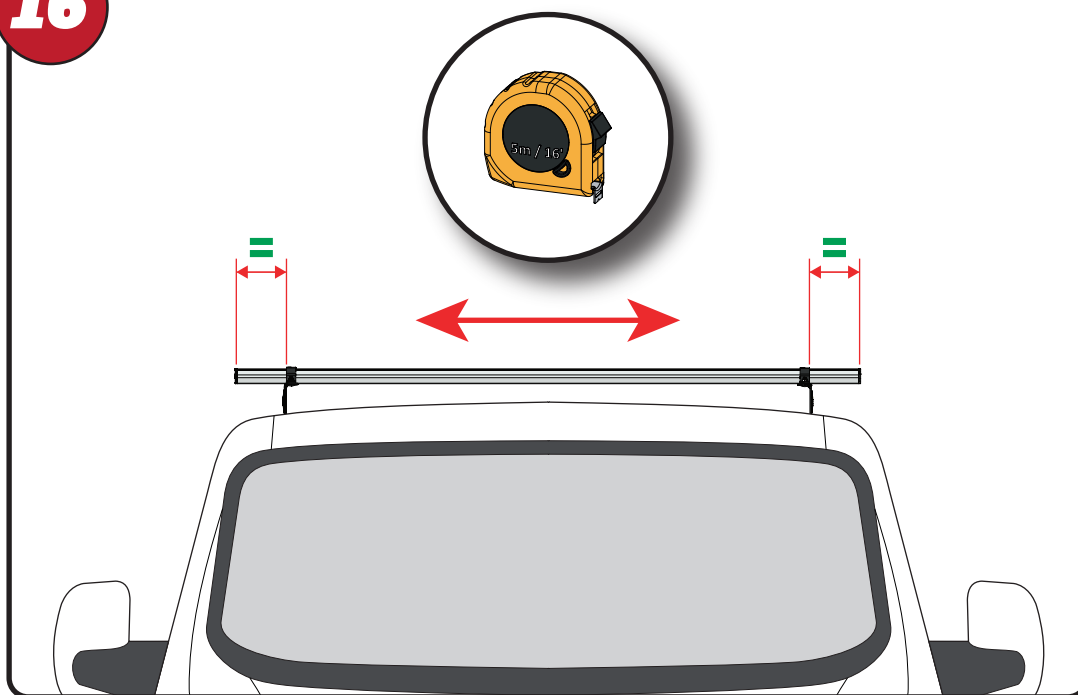
14



15



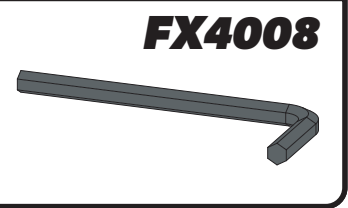
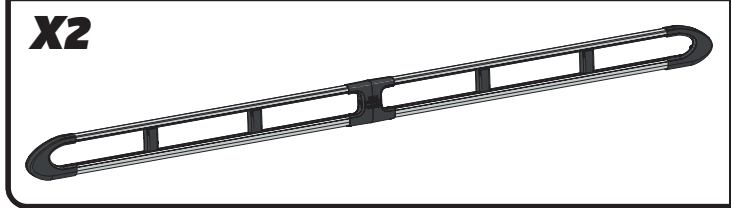
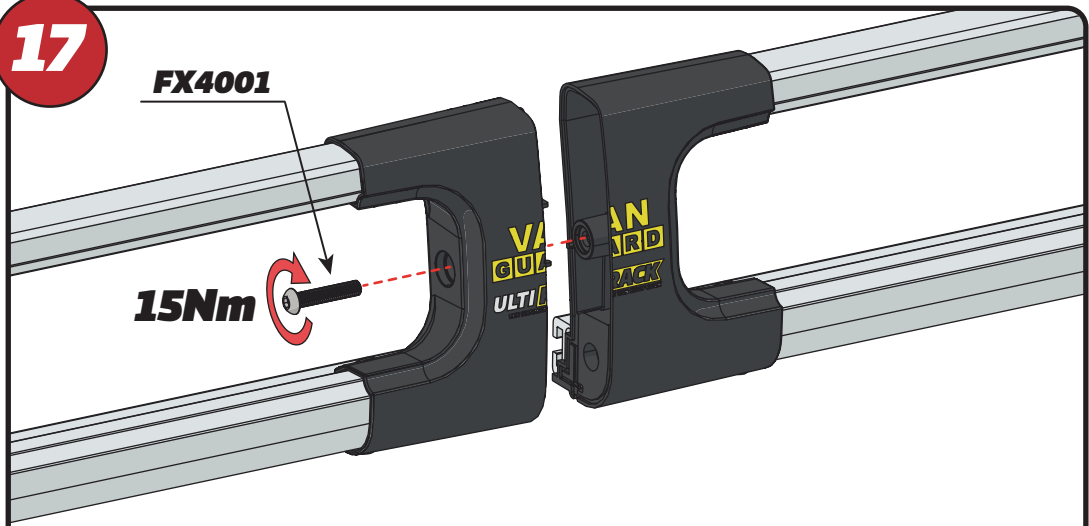
16



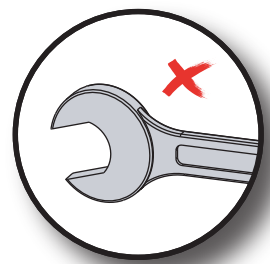
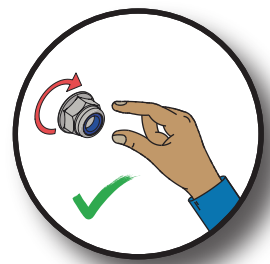
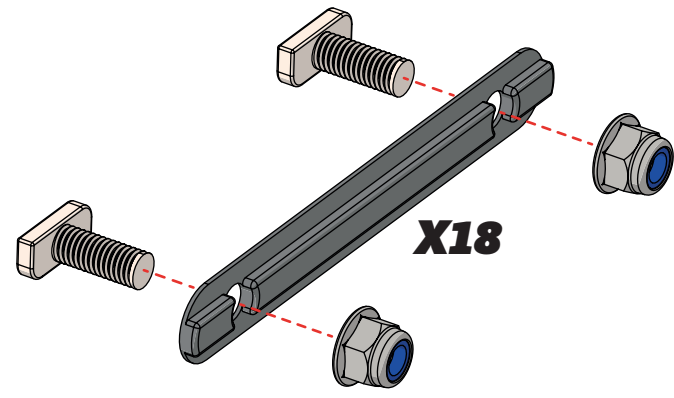
17

FX4001

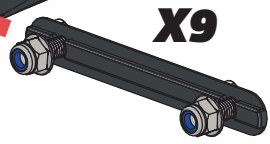
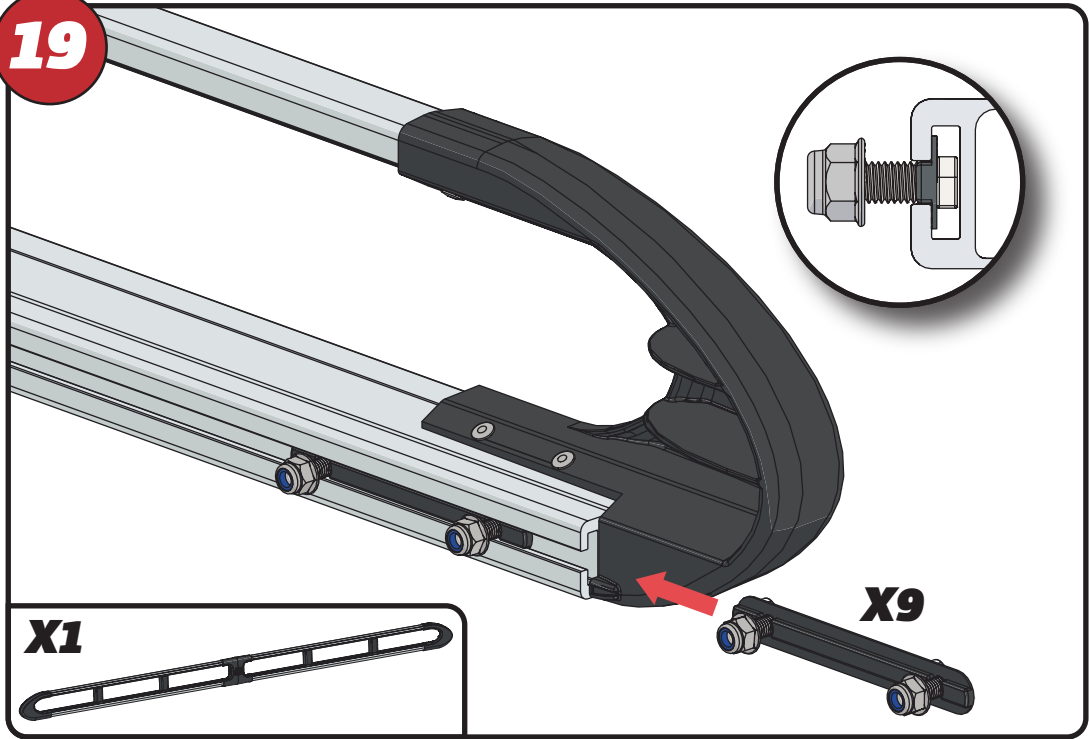
15Nm



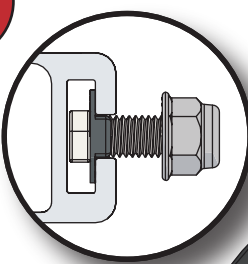
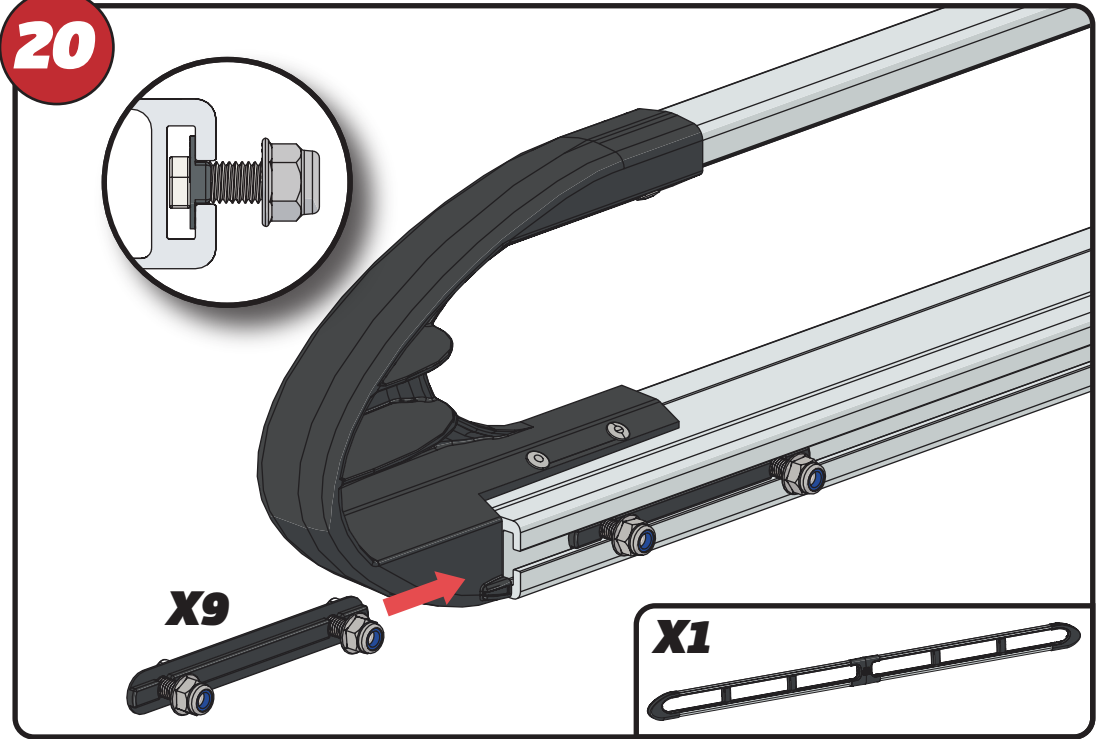
18



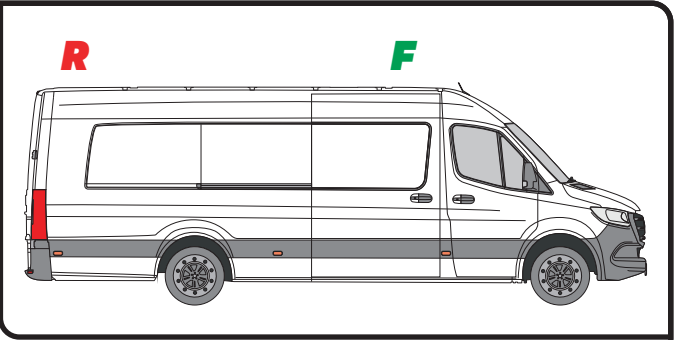
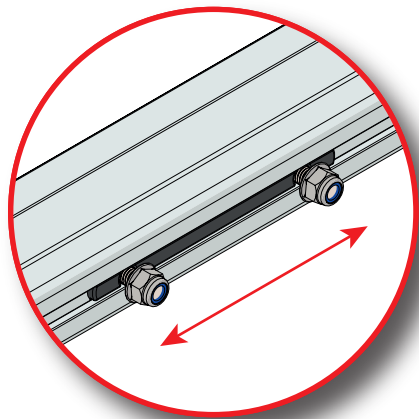
19



20

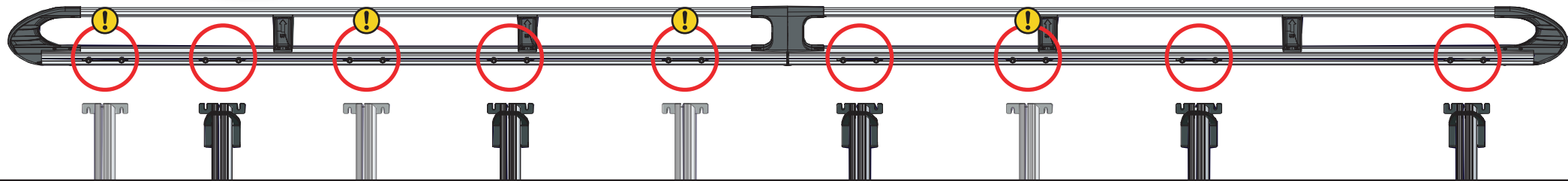


21



R

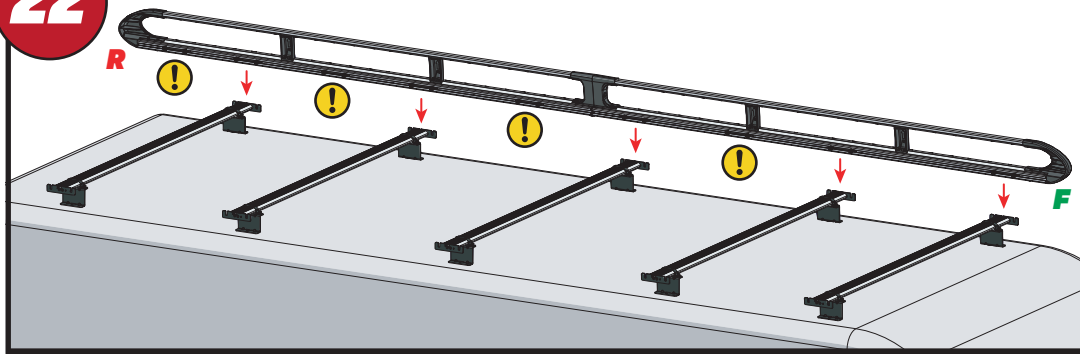
F



22

R

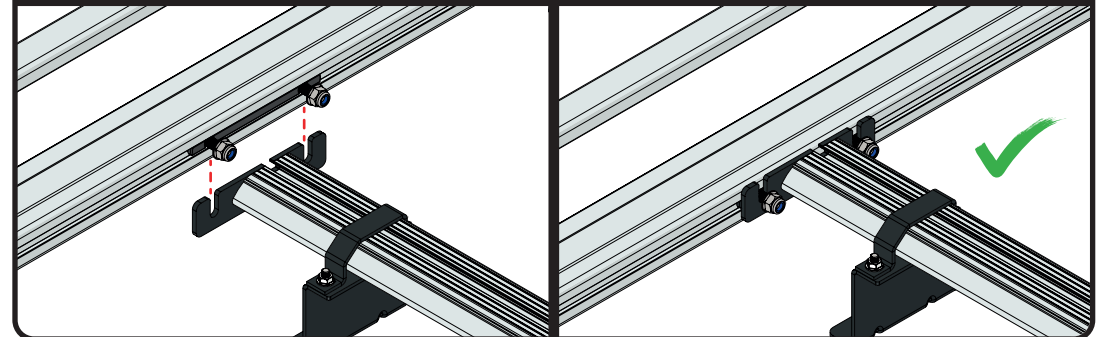
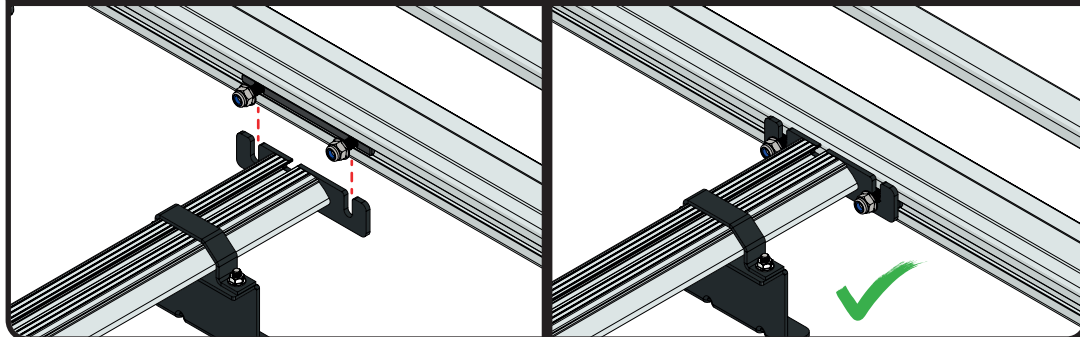
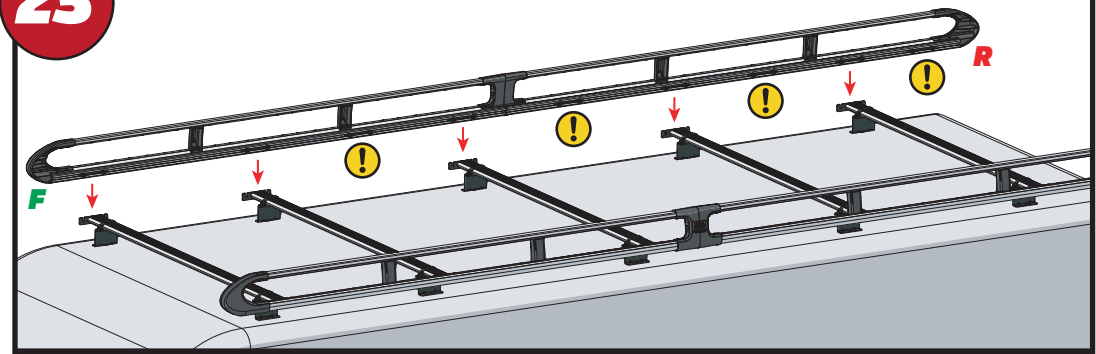
F



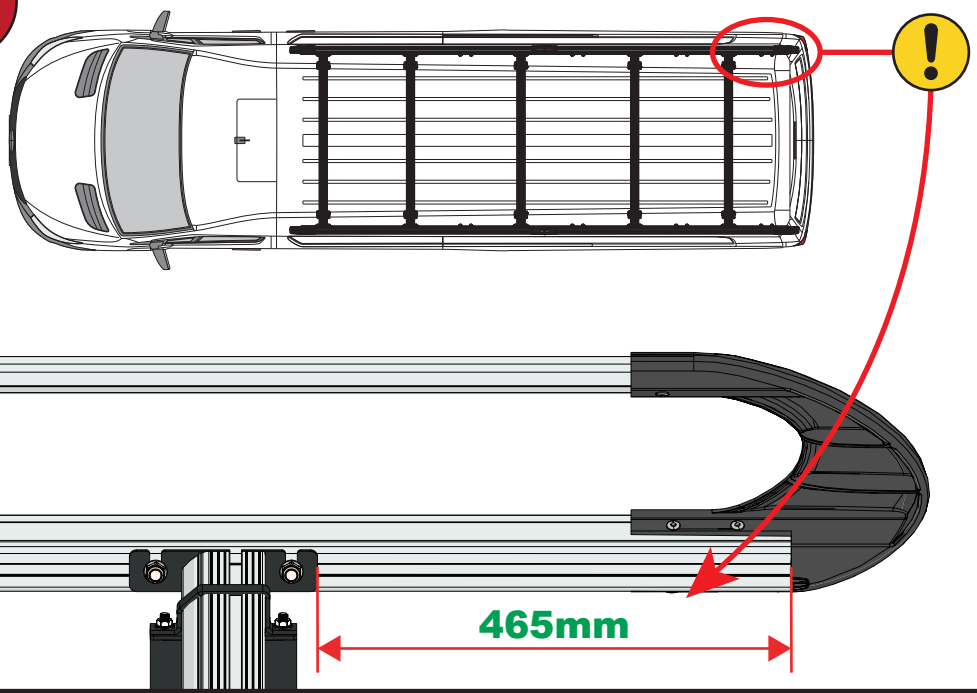
23

R

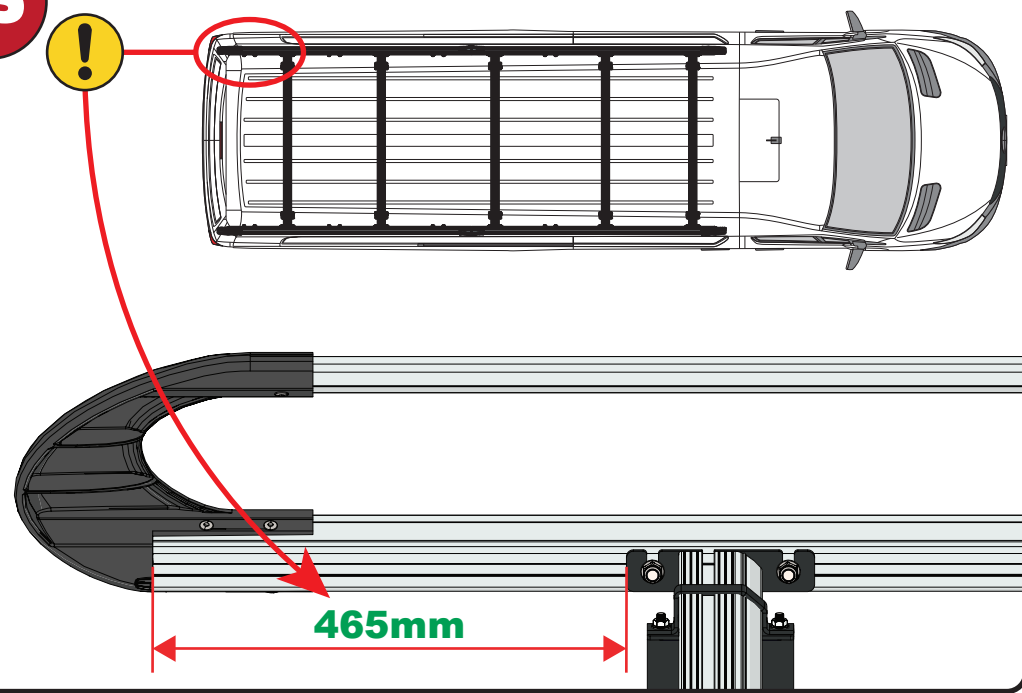
F



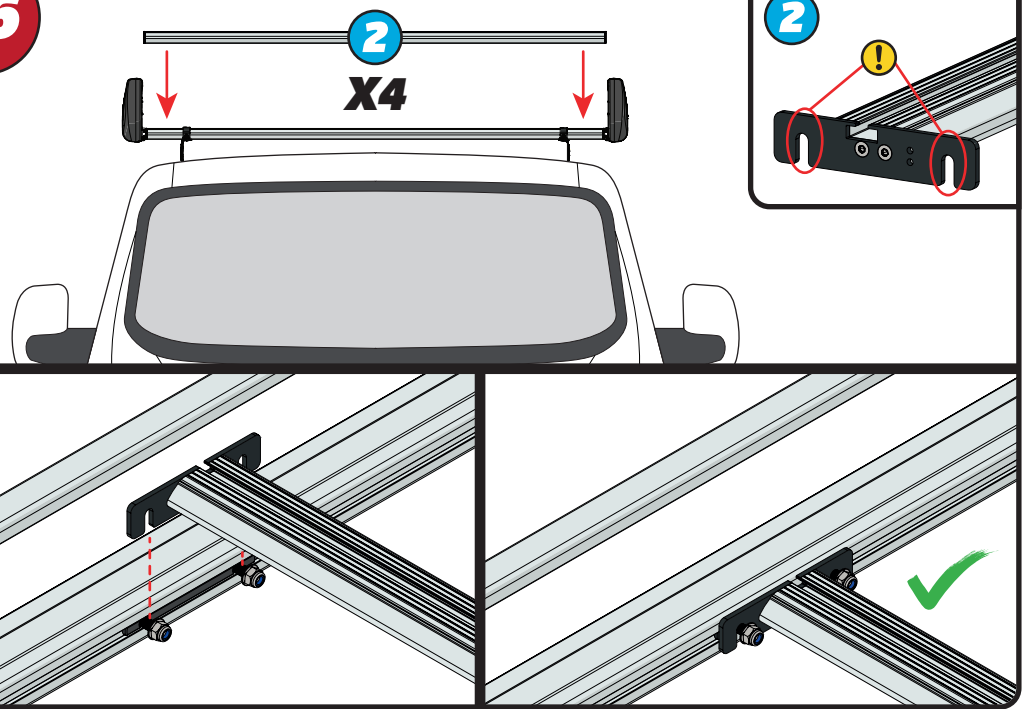
24



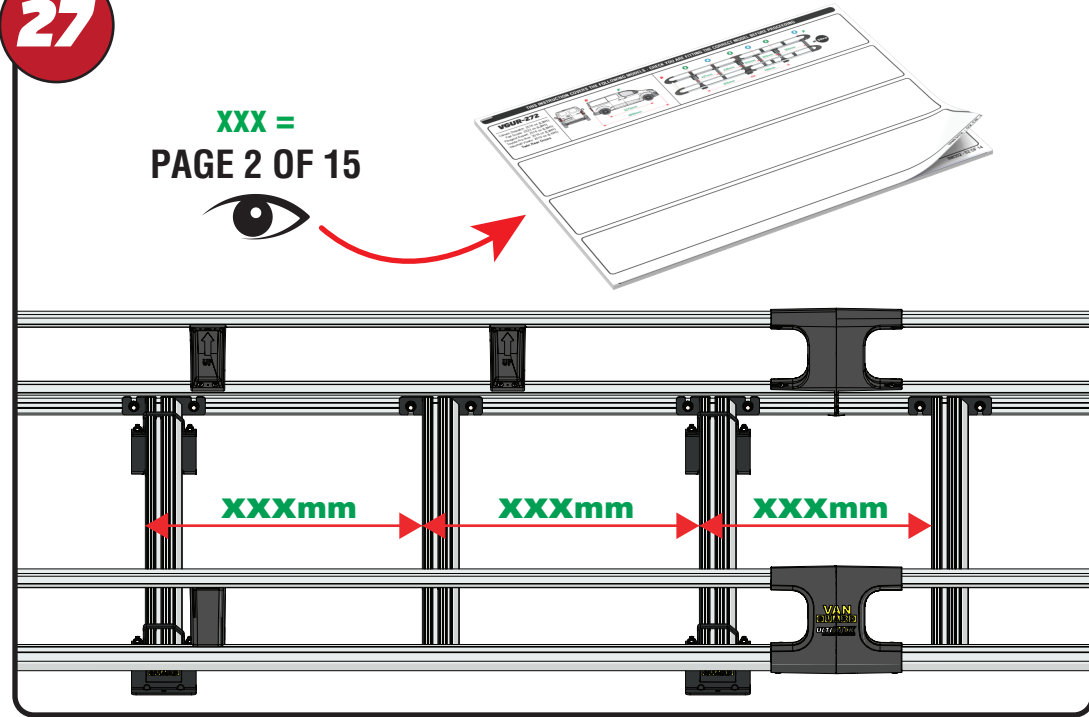
25

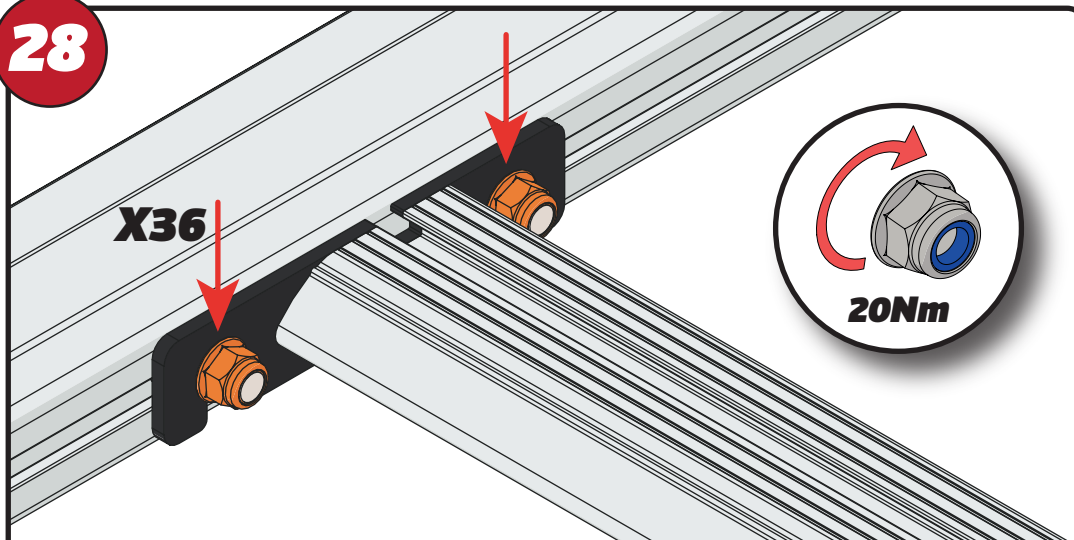


26



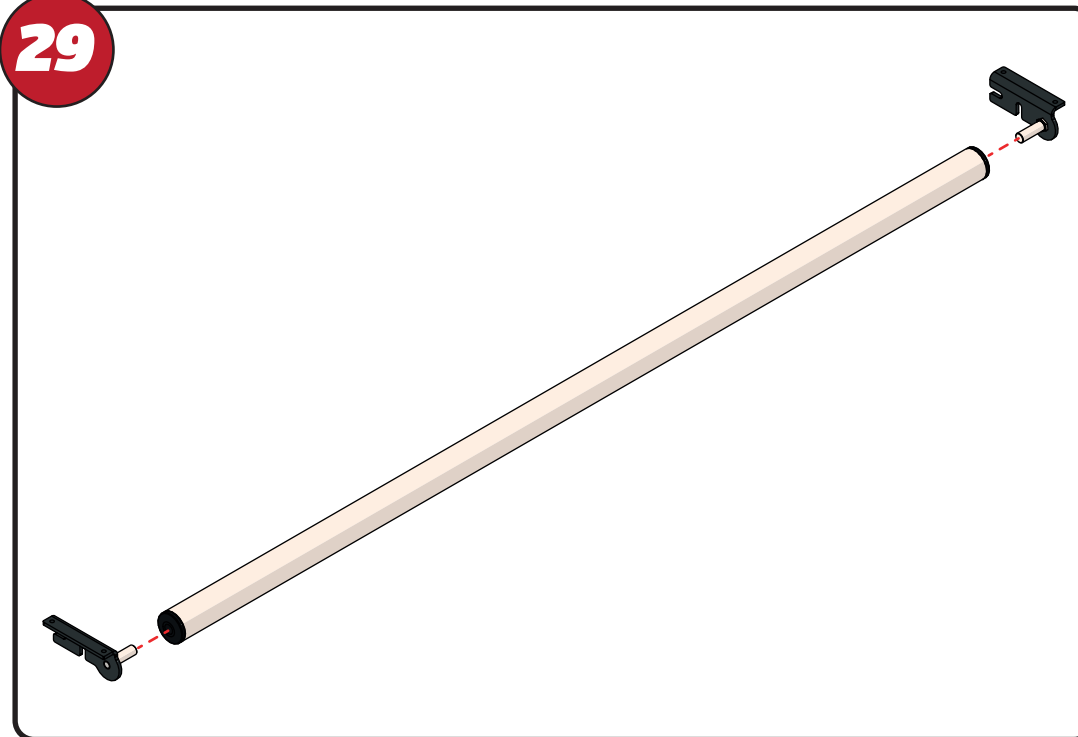
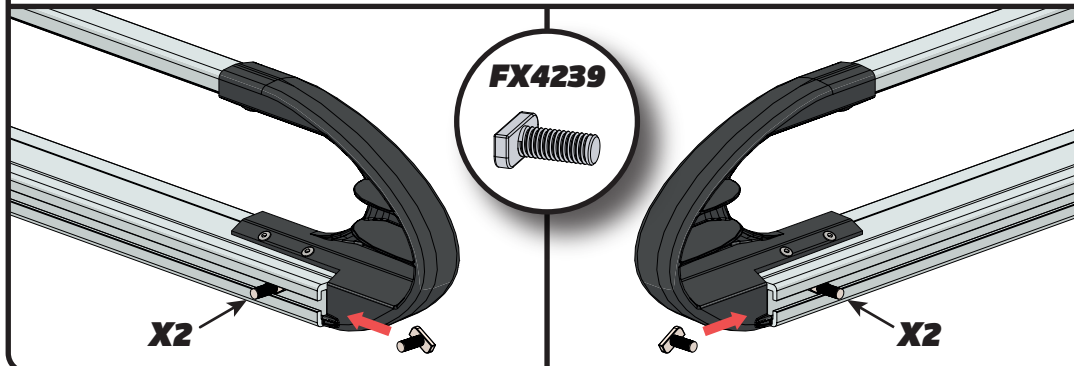
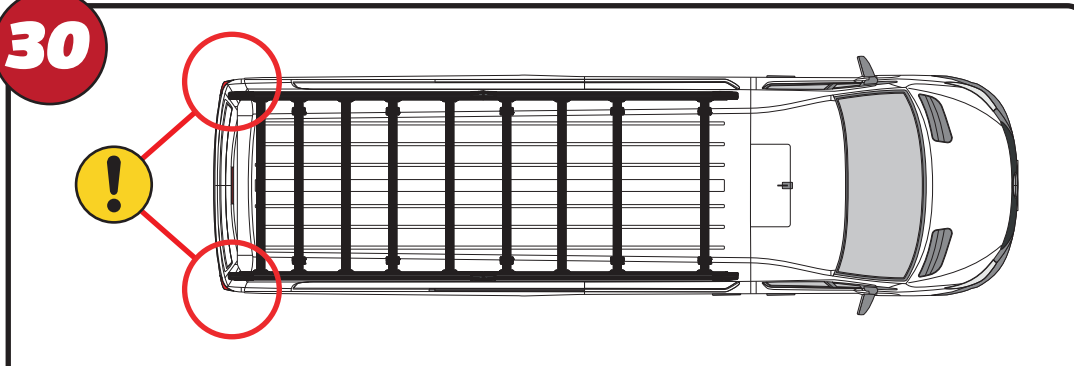
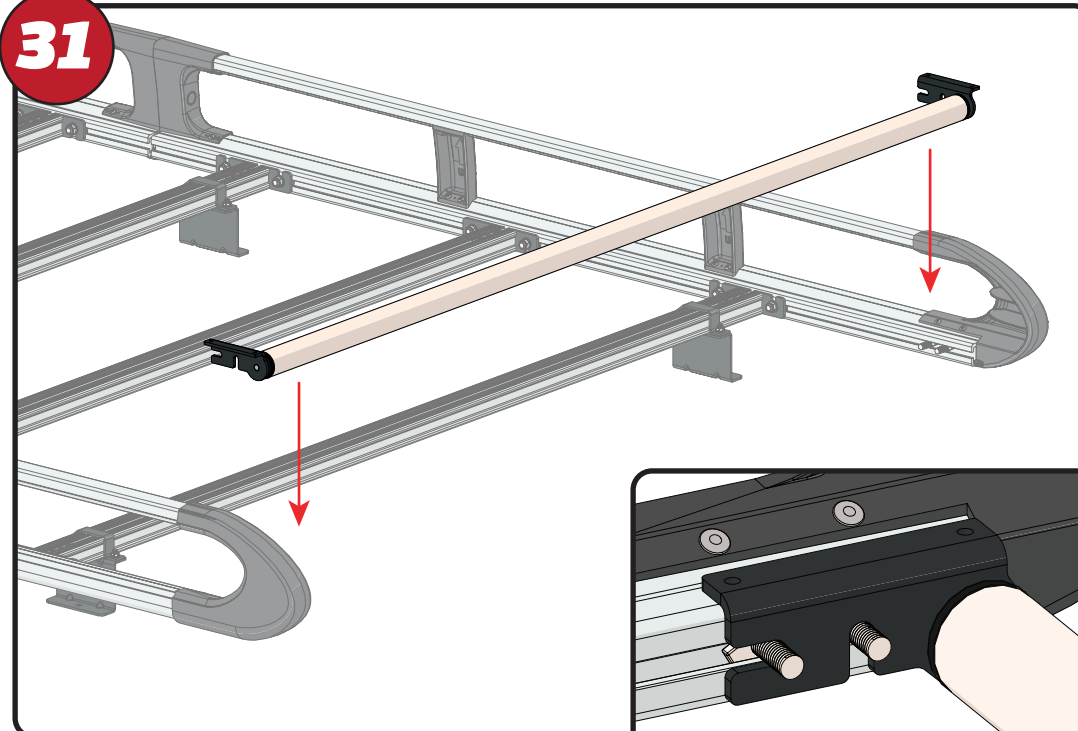
27



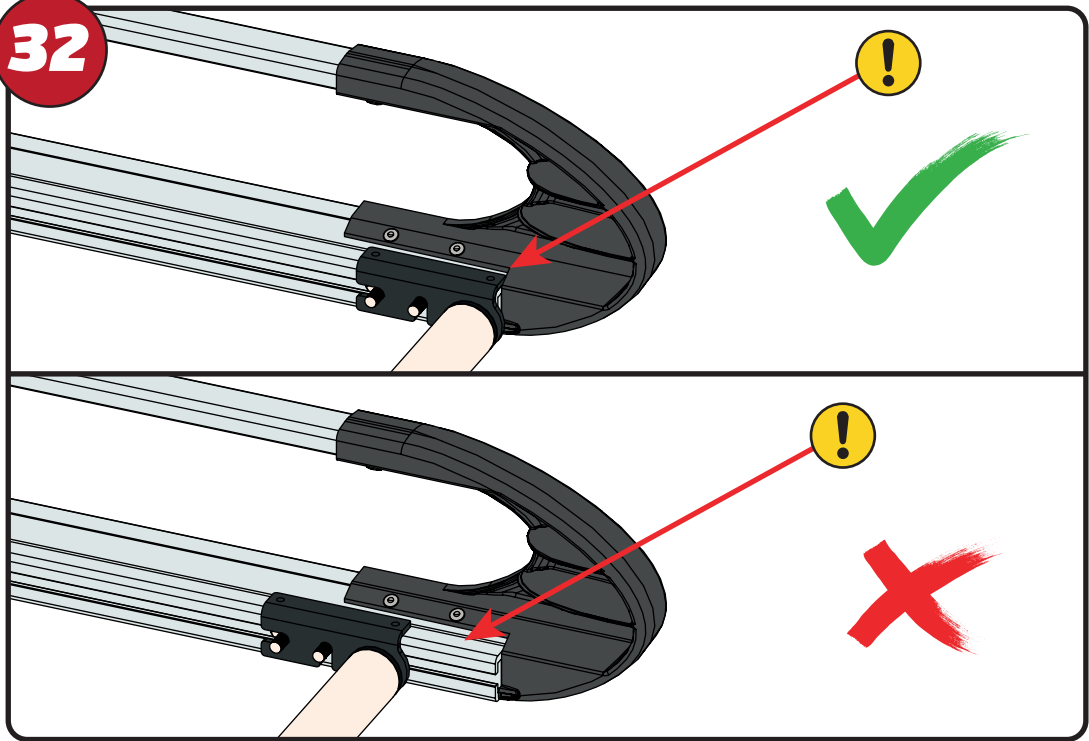
28**X36****20Nm**

EN - TIGHTEN ALL OF THE CROSS BARS
 DE - ALLE QUERSTANGEN FESTZIEHEN
 FR - SERREZ TOUTES LES BARRES TRANSVERSALES
 NL - DRAAI ALLE DWARSBALK VAN HET DAK AAN
 ES - APRIETE TODAS LAS BARRAS TRANSVERSALES
 IT - STRINGERE TUTTE LE BARRE TRASVERSALI

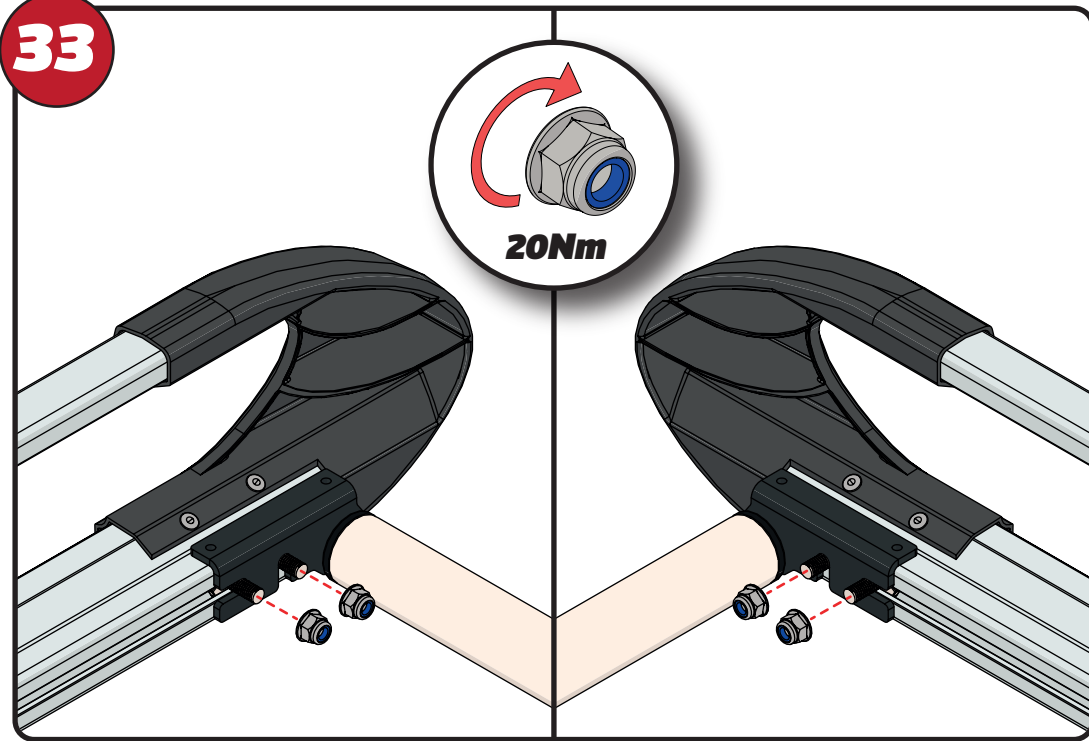
SV - SKRU UPP ALLA KORSSTANGAR
 DA - SKRU ALLE TAGBØJLER OP
 NO - SKRU OPP ALLE TVERRSTENGER
 PL - DOKRĘCIĆ WSZYSTKIE POPRZECZKI
 CS - VŠECHNY PŘÍČNÉ TYČE SEŠROUJTE

29**30****FX4239****X2****X2****31**

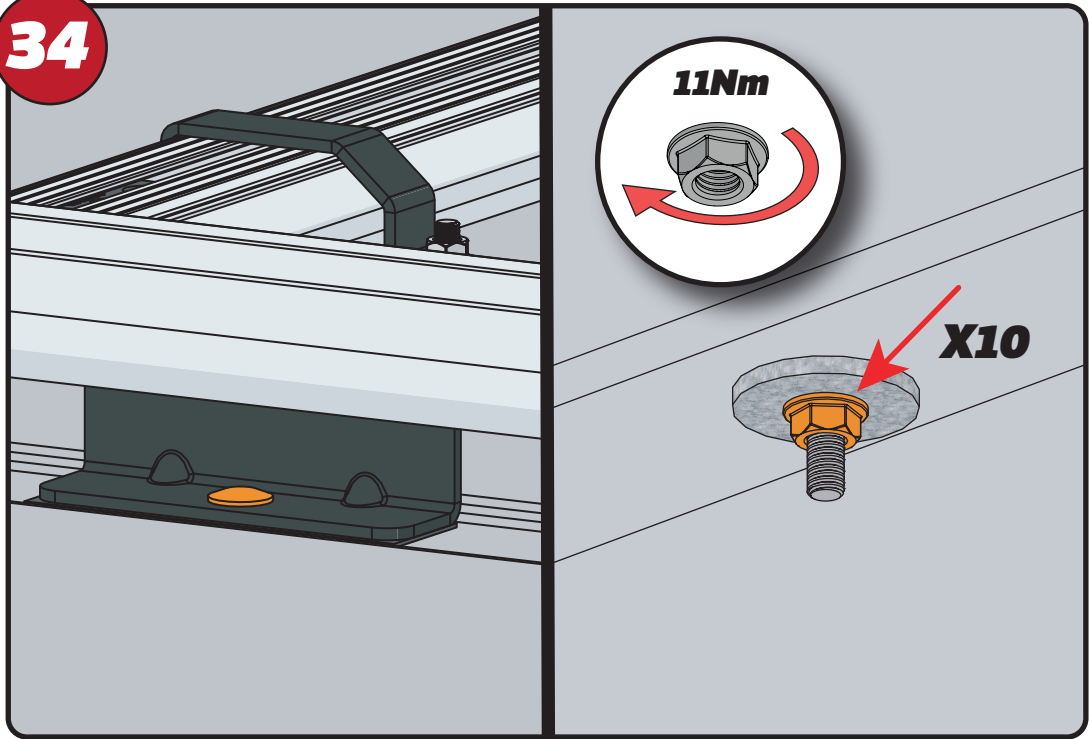
32



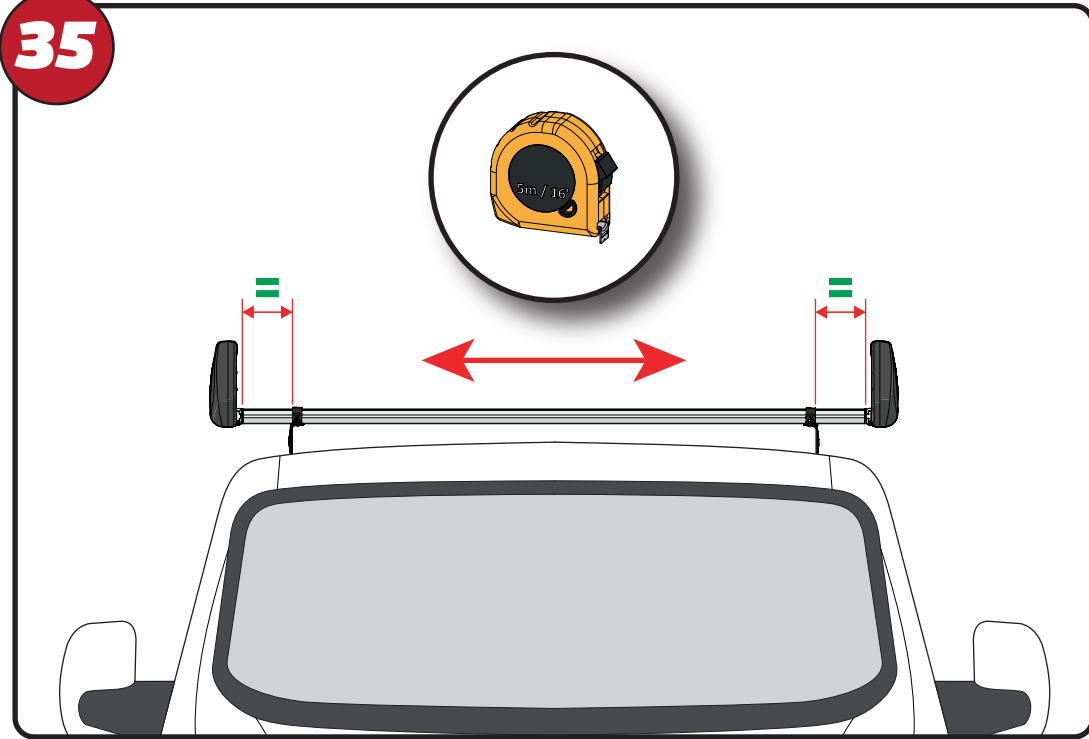
33



34

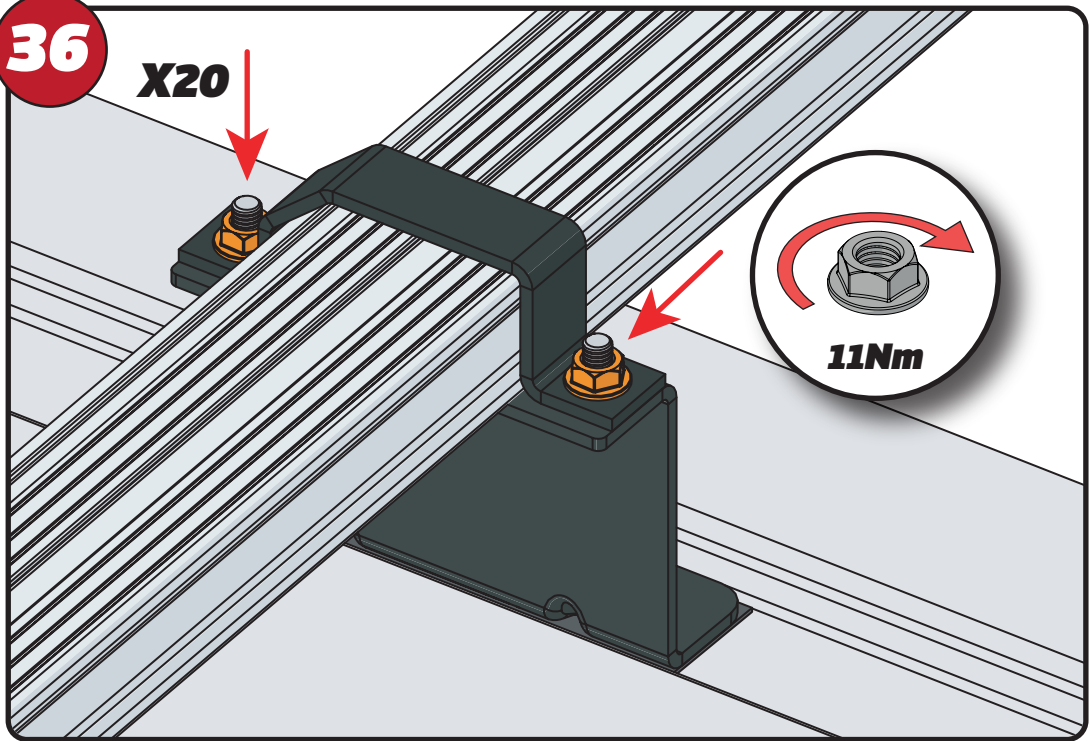


35



36

X20

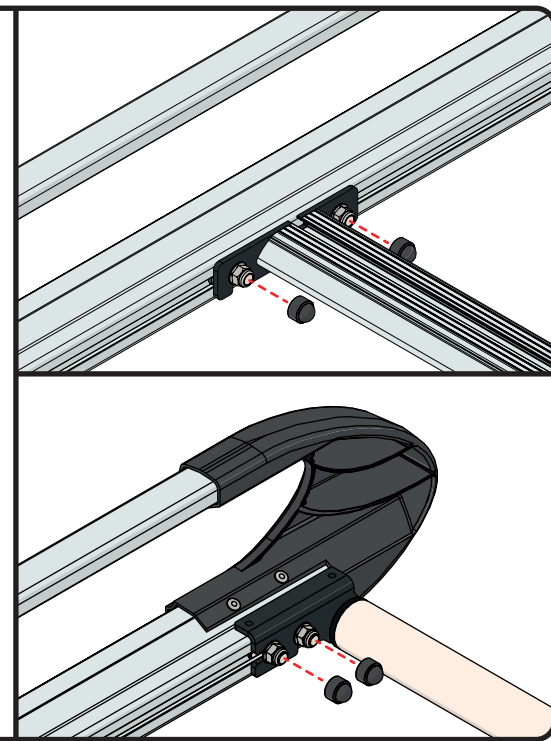


37

FX4241

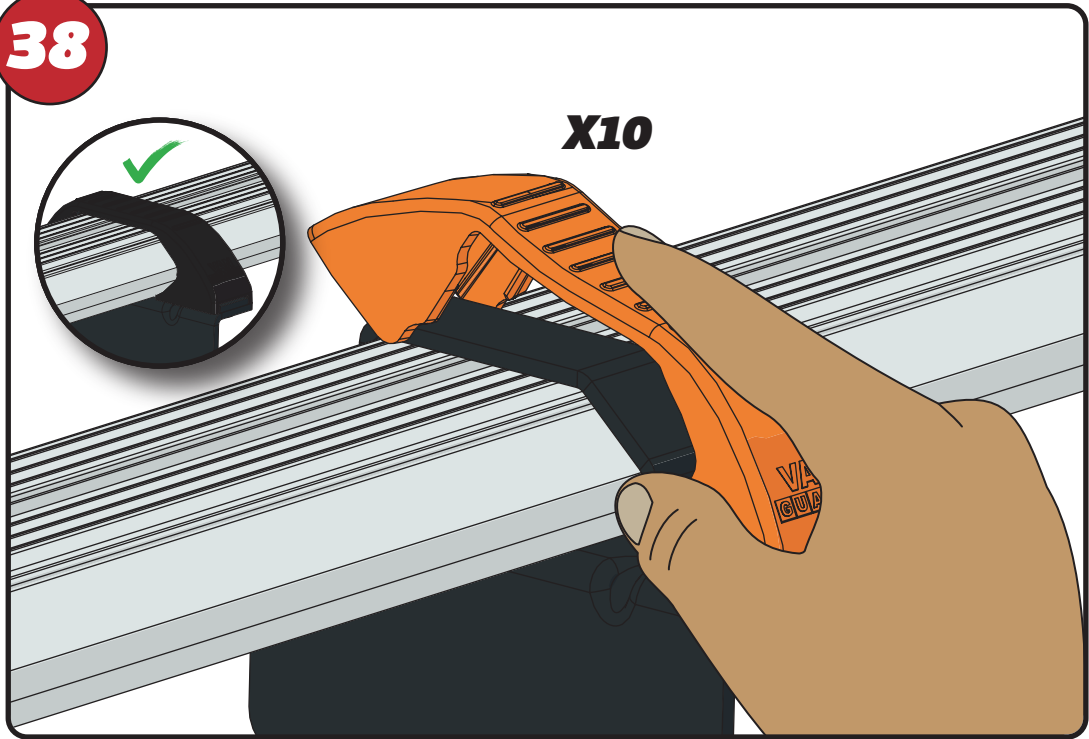


X40



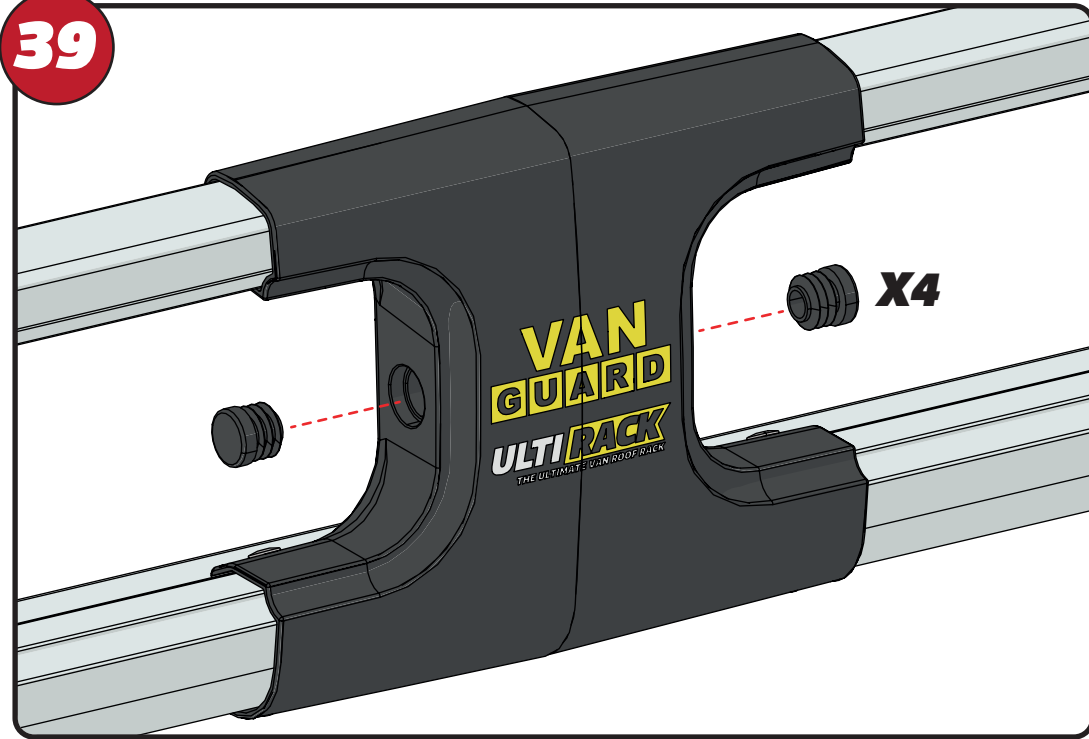
38

X10



39

X4



40

