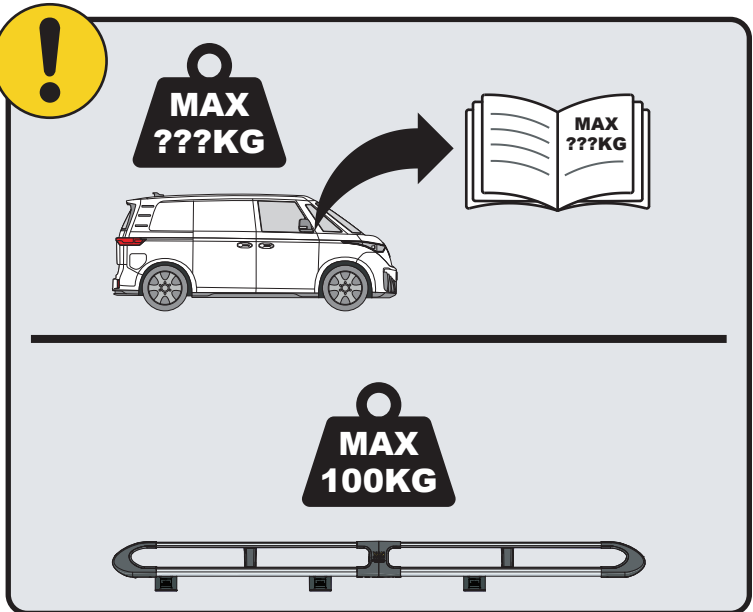
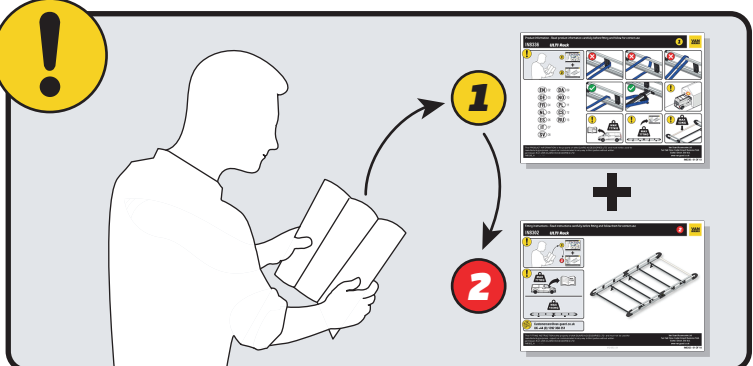


IN8499

ULTI Rack+



 Customercare@van-guard.co.uk
UK +44 (0) 1392 368 351



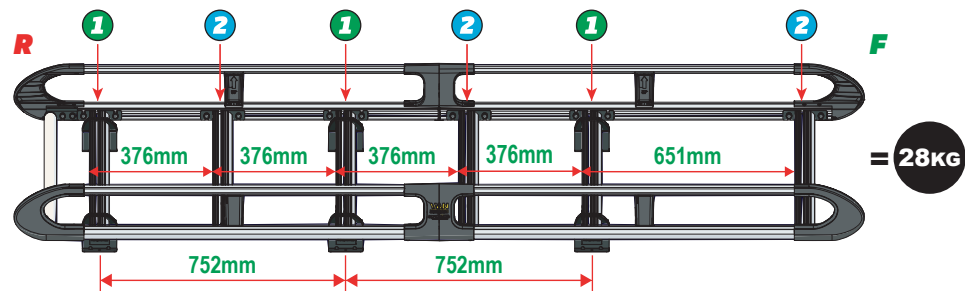
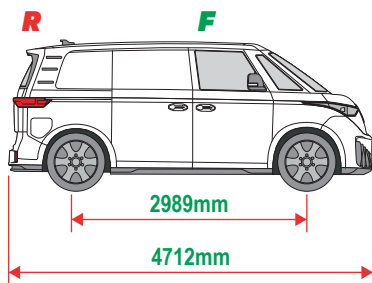
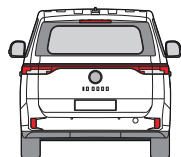
This FITTING INSTRUCTION is the property of VAN GUARD ACCESSORIES LTD. and must not be used for manufacturing purposes, copied nor communicated in any way to third parties without written permission from VAN GUARD ACCESSORIES LTD.
IN8499_A (CN:NR)

Van Guard Accessories Ltd
Fair Oak Close, Exeter Airport Business Park,
Exeter, Devon, EX5 2UL
www.van-guard.co.uk

THIS INSTRUCTION COVERS THE FOLLOWING MODELS - CHECK YOU ARE FITTING THE CORRECT MODEL BEFORE PROCEEDING

VGUR-309

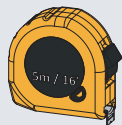
Volkswagen ID. Buzz: 2022 on
L1H1
Tailgate



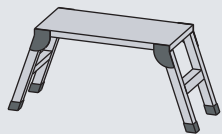
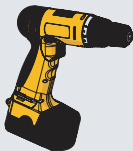
SUPPLIED COMPONENTS - CHECK ALL PARTS ARE PRESENT AND CORRECT BEFORE PROCEEDING (1 OF 2)

TOOLS REQUIRED

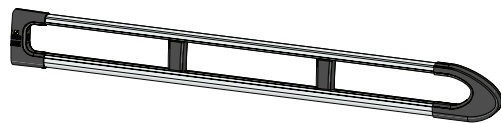
10MM X1



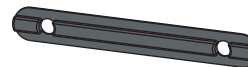
13MM X1



AS3535 X2
(2400 / A)



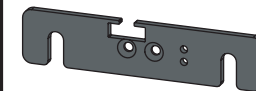
MA6118 X12



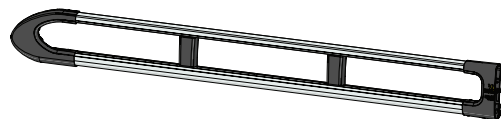
FX4241 X28



ME1622 X3



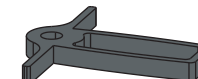
AS3534 X2
(2400 / B)



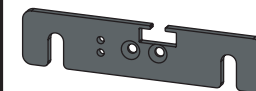
FX4008 X1



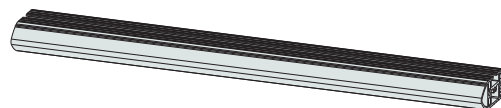
MA6145 X1



ME1623 X3



ME1627 X6
(1354mm)



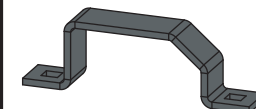
FX4001 X2
(M8X40)



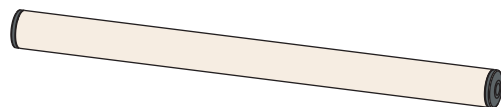
FX4235 X24
(M5X25)



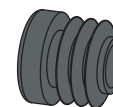
ME0203 X6



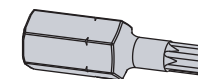
AS3159 X1
(1340mm)



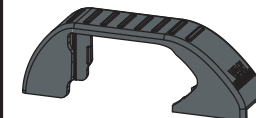
MA6007 X4



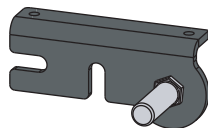
FX4248 X1
(T25)



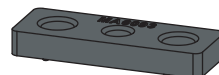
MA6065 X6



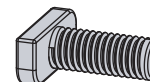
AS3590 X1



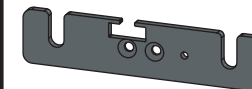
MA6093 X12



FX4239 X28
(M8X20)



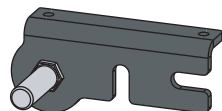
ME1620 X3



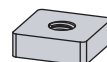
FX4016 X12
(M6)



AS3591 X1



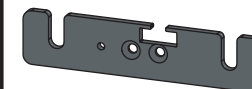
ME0316 X12



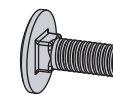
FX4240 X28
(M8)



ME1621 X3

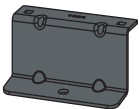


FX4042 X12
(M6X16)



SUPPLIED COMPONENTS - CHECK ALL PARTS ARE PRESENT AND CORRECT BEFORE PROCEEDING (2 OF 2)

ME1894 X1

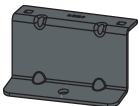


FX4019 X6

(M8)

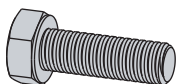


ME1895 X1

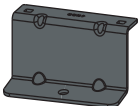


FX4028 X6

(M8X25)

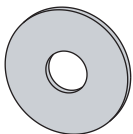


ME1896 X1

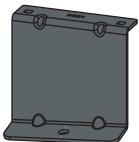


FX4040 X6

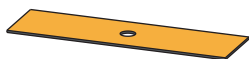
(M8)



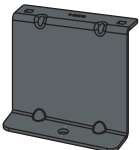
ME1897 X1



MA6018 X6



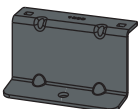
ME1898 X1



FX4014 X6

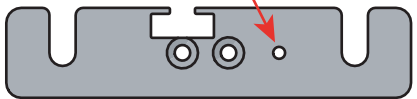


ME1899 X1



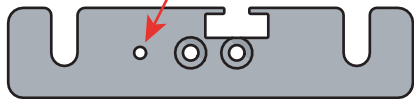
01

1L



X3

1R



X3



2L



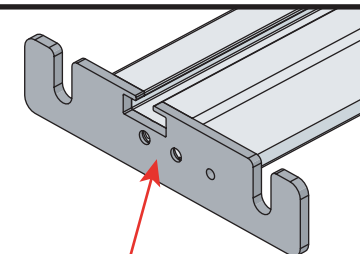
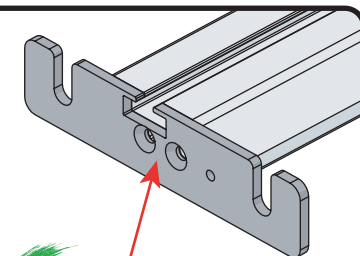
X3

2R



X3

02



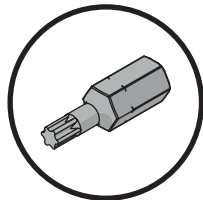
03

01

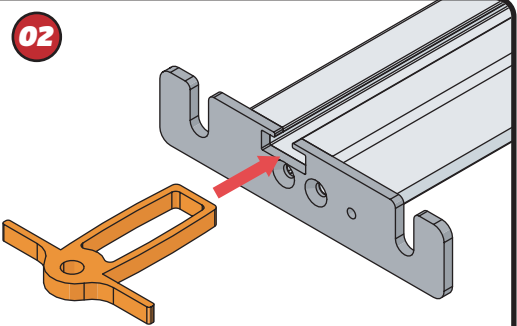
FX4248



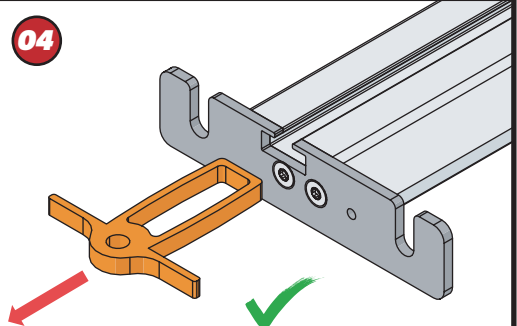
+



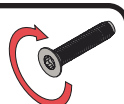
02



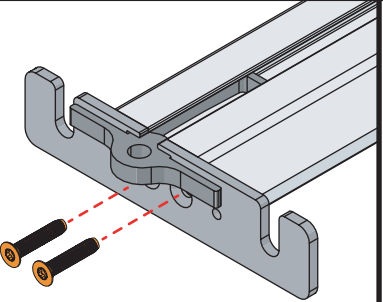
04



03



11Nm

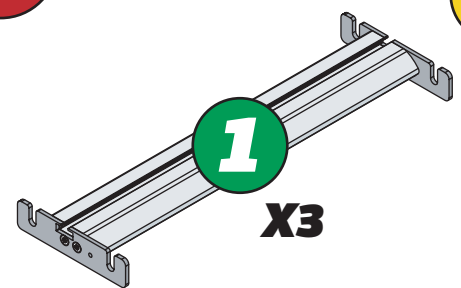


04



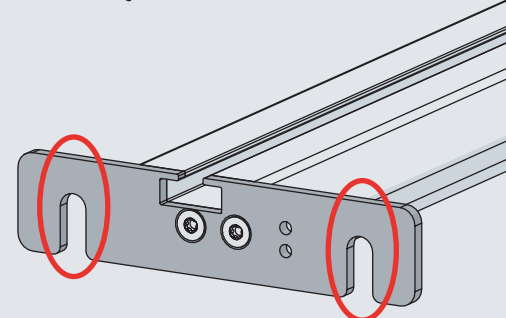
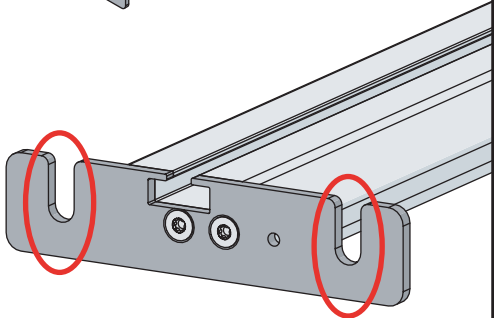
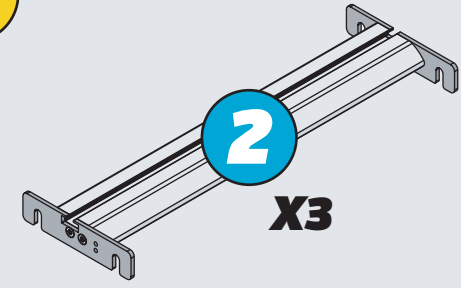
1

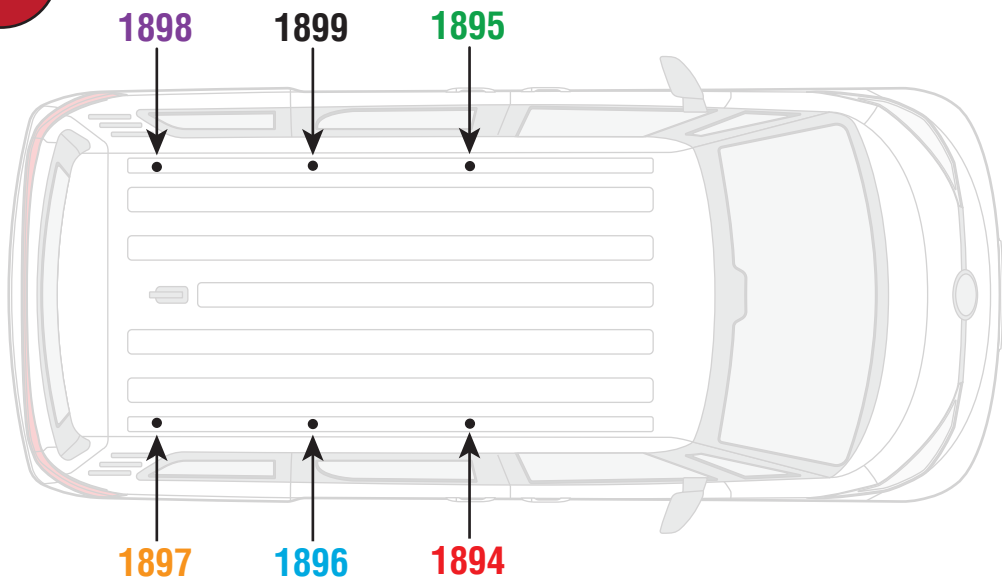
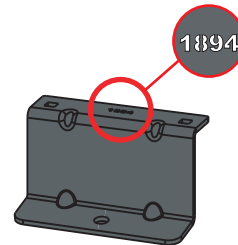
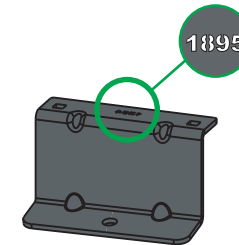
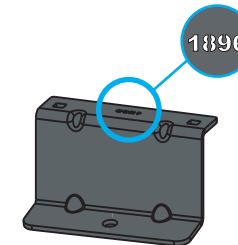
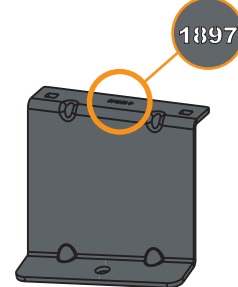
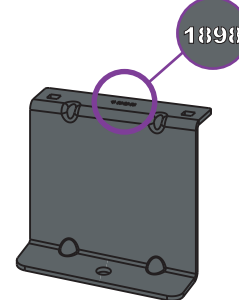
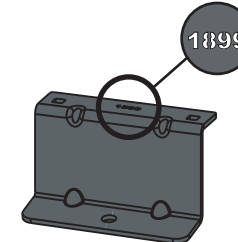
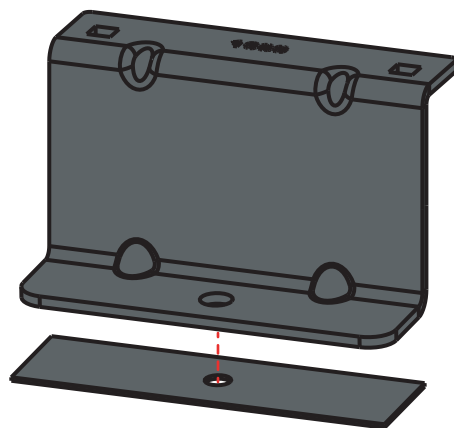
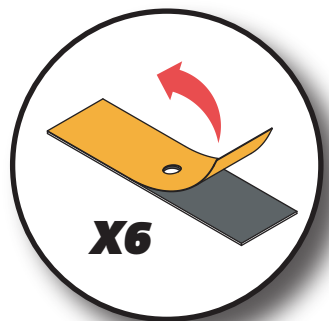
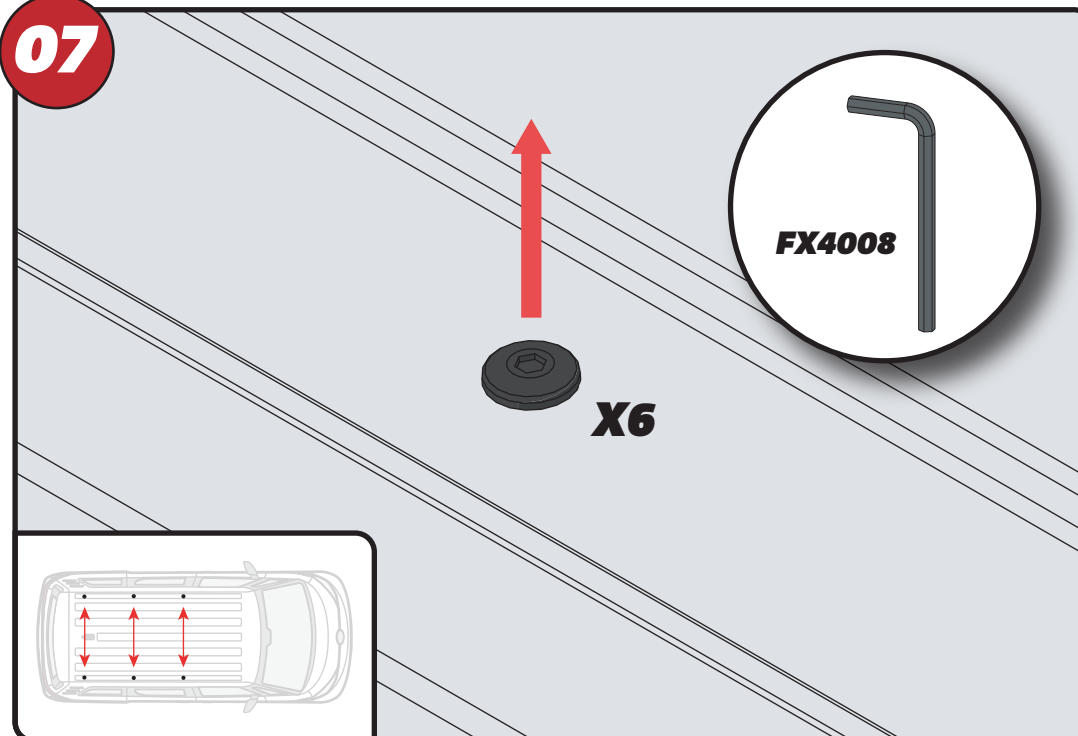
X3



2

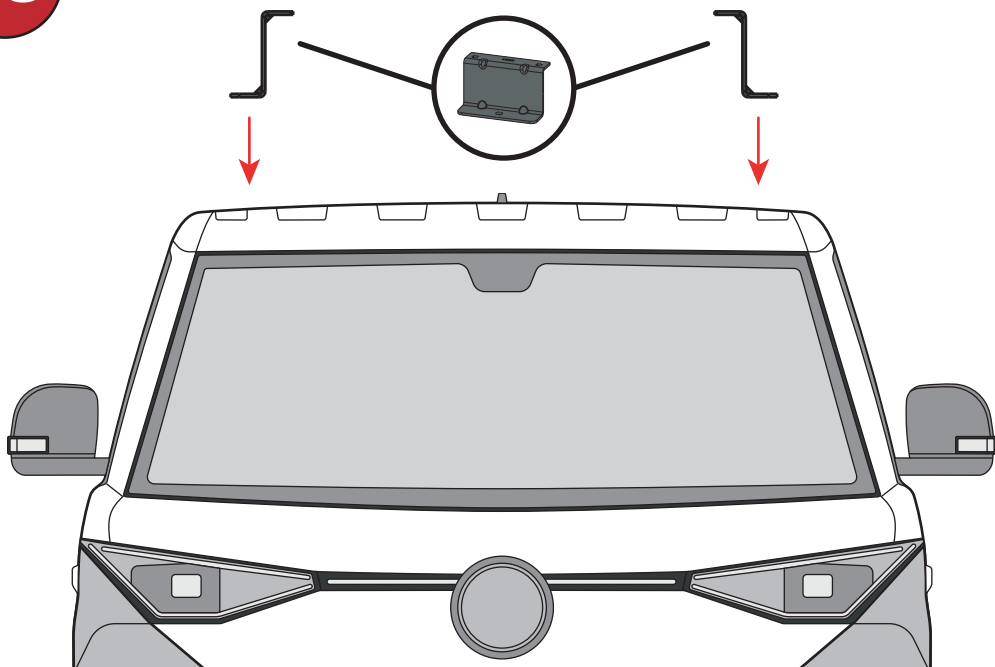
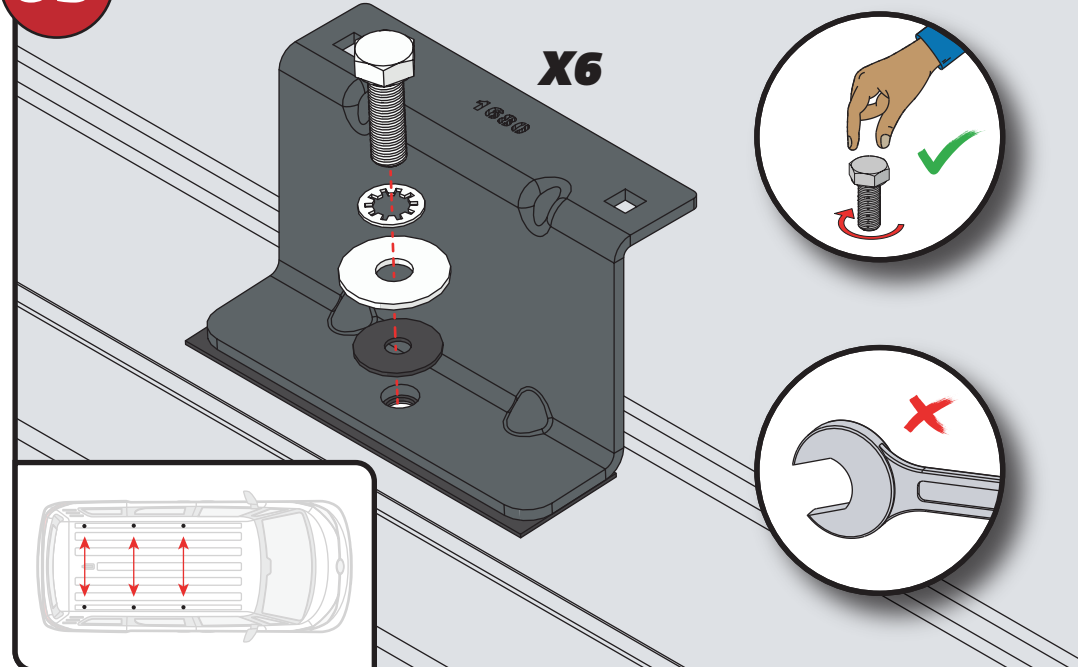
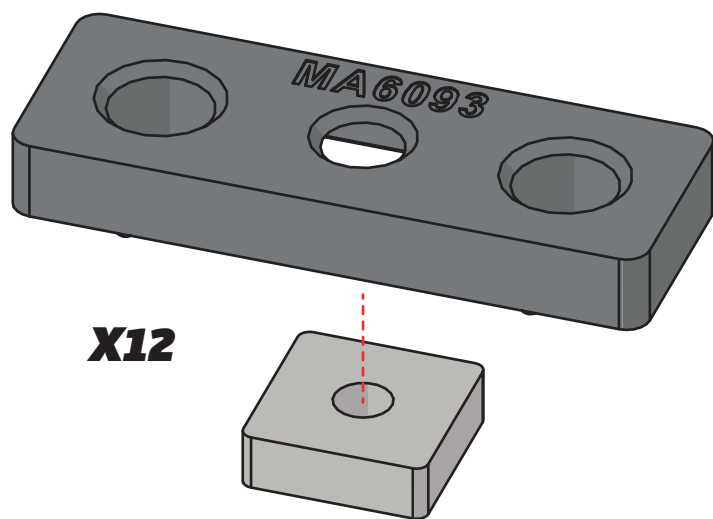
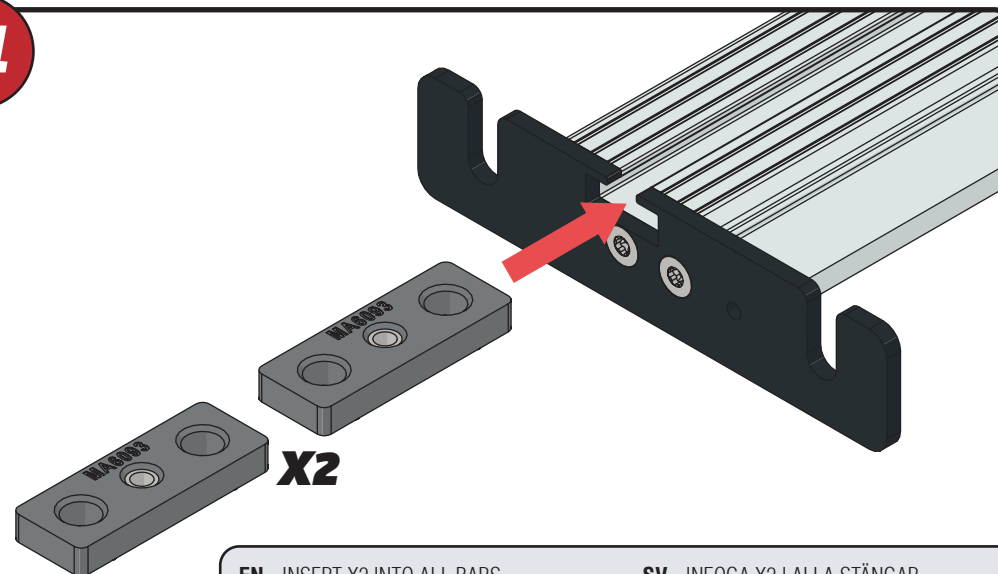
X3



05**1894****1895****1896****1897****1898****1899****06****07**

EN - STICK GASKETS TO ALL BRACKETS
 DE - KLEBEN SIE DIE DICHTUNG AN ALLEN HALTERUNGEN
 FR - COUSSINETS ADHÉSIFS À TOUS LES SUPPORTS
 NL - PLAK PAKKING OP ALLE BEUGELS
 ES - PEGA LAS ALMOHADILLAS A TODOS LOS SOPORTES
 IT - ADESIVI GUARNIZIONI A TUTTE LE STAFFE

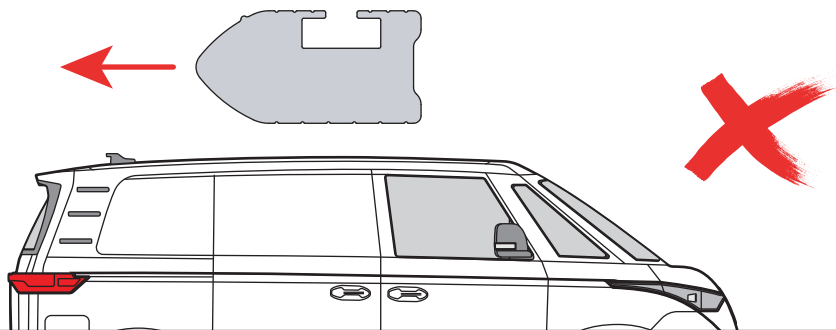
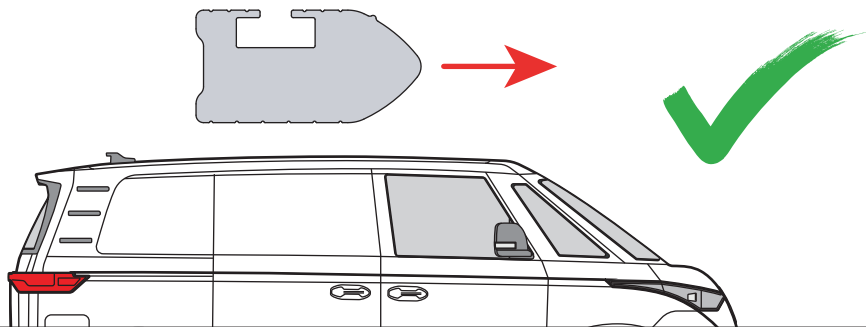
SV - FÄST GUMMI PÅ ALLA FÄSTEN
 DA - KLÆB GUMMI PÅ ALLE BESLAG
 NO - PLIST GUMMI PÅ ALLE BRAKKETTER
 PL - NAKLEJ USZCZELKI DO WSZYSTKICH WSPORNIKÓW
 CS - PŘILEPTE TĚSNĚNÍ NA VŠECHNY DRŽÁKY

08**09****10****11**

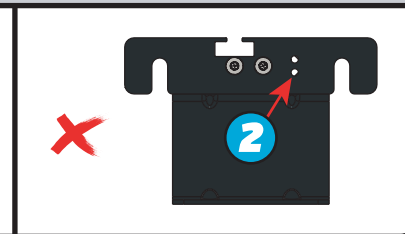
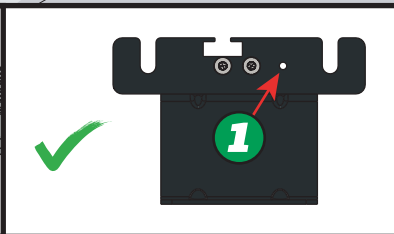
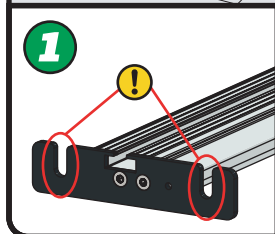
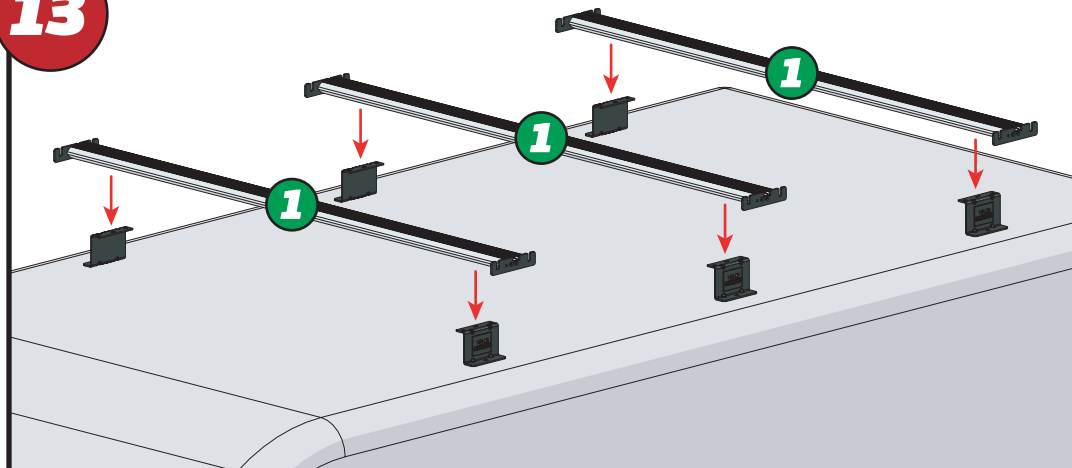
EN - INSERT X2 INTO ALL BARS
 DE - X2 IN ALLE STANGEN EINFÜGEN
 FR - INSÉRER X2 DANS TOUTES LES BARRES
 NL - PLAATS X2 IN ALLE BARS
 ES - INSERTAR X2 EN TODAS LAS BARRAS
 IT - INSERIRE X2 IN TUTTE LE BARRE

SV - INFOGA X2 I ALLA STÄNGAR
 DA - INDSÆT X2 I ALLE STÆNGER
 NO - SETT X2 INN I ALLE TAKSTENGER
 PL - WSTAW X2 DO WSZYSTKICH PRĘTÓW
 CS - VLOŽTE X2 DO VŠECH TYČÍ

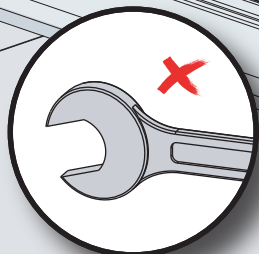
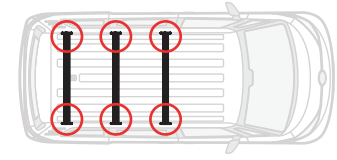
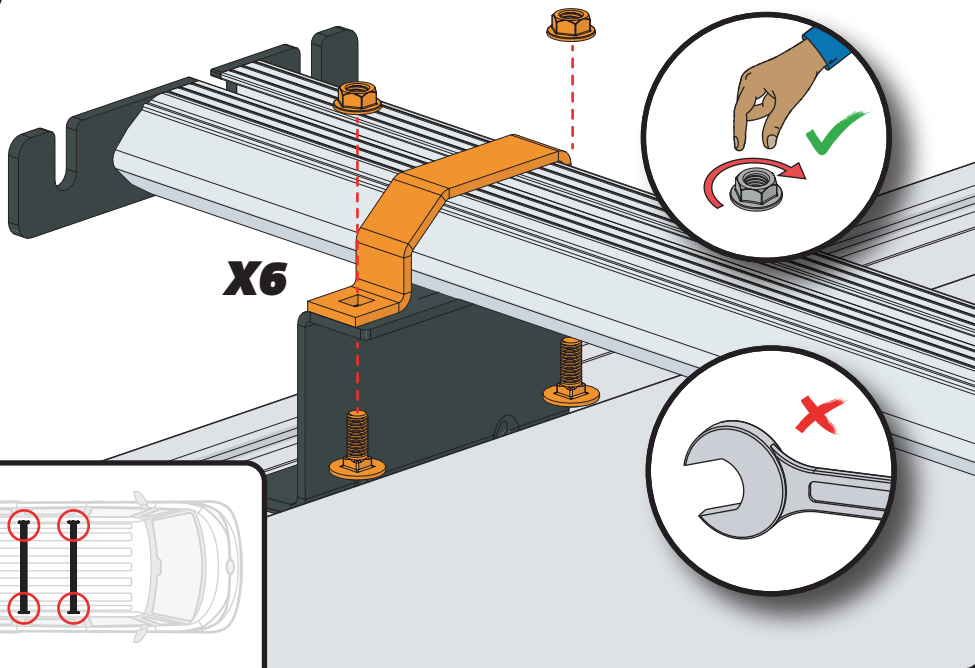
12



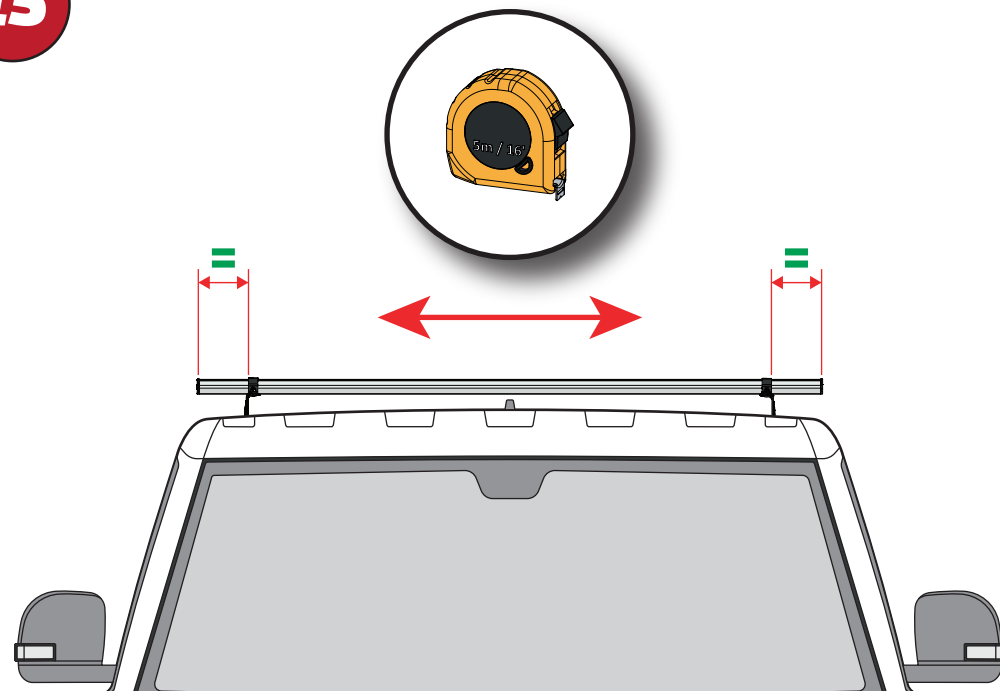
13



14



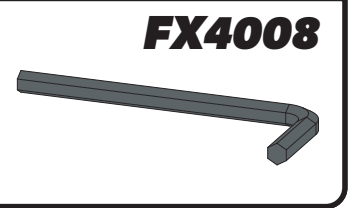
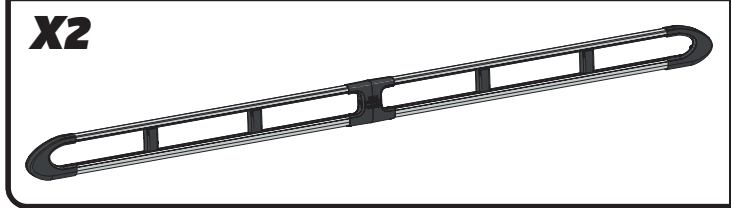
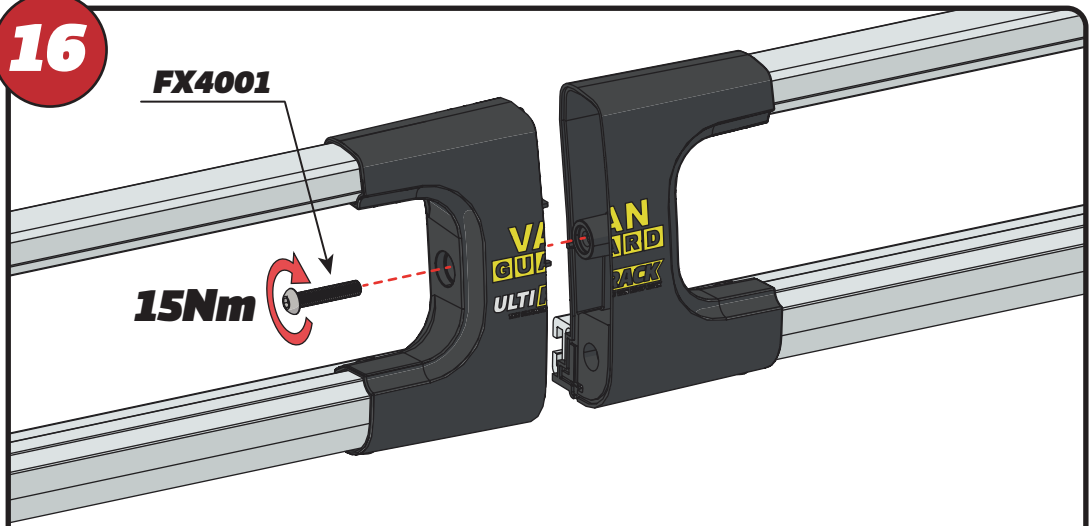
15



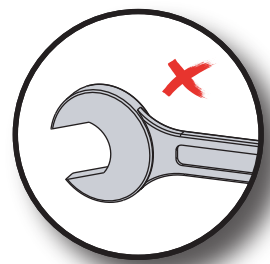
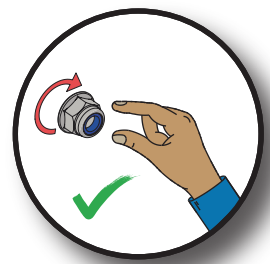
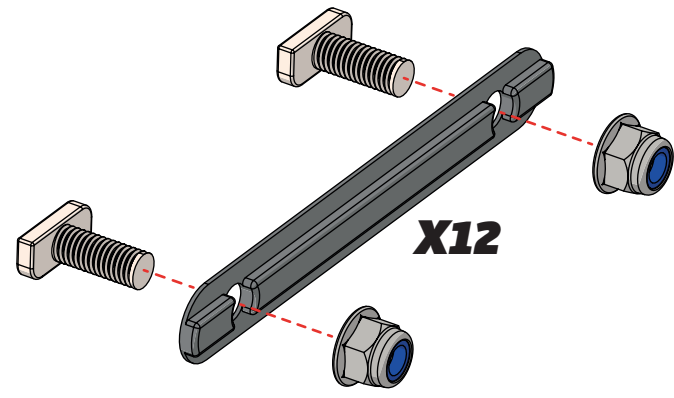
16

FX4001

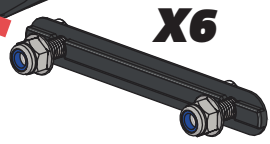
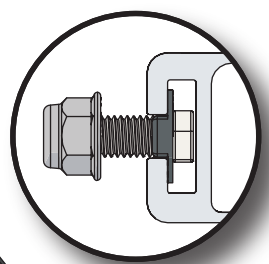
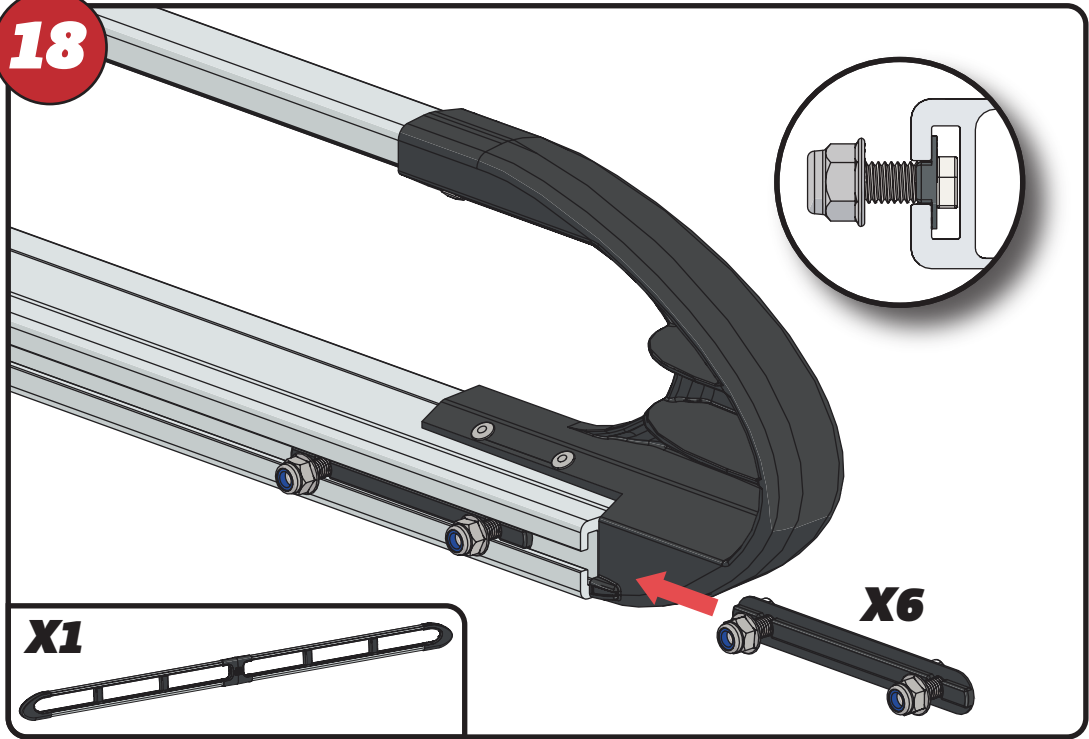
15Nm



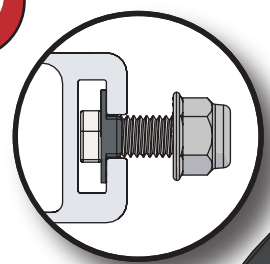
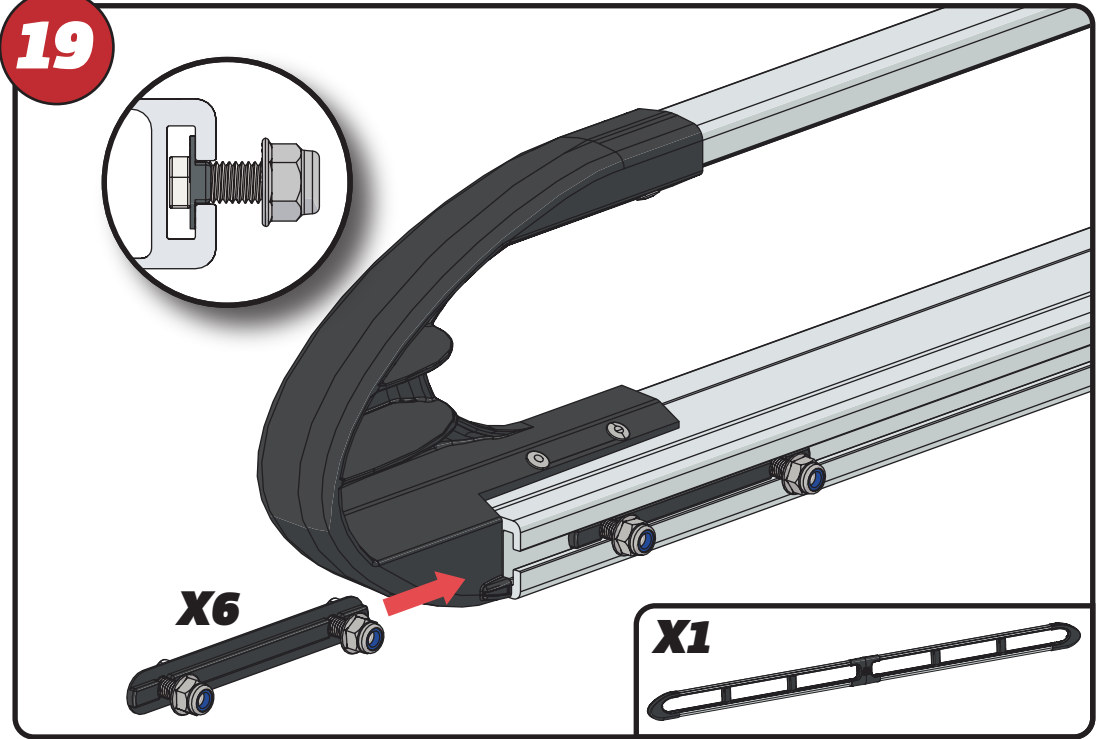
17



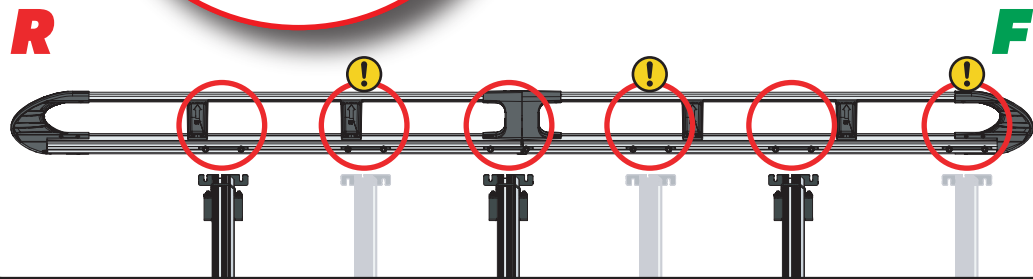
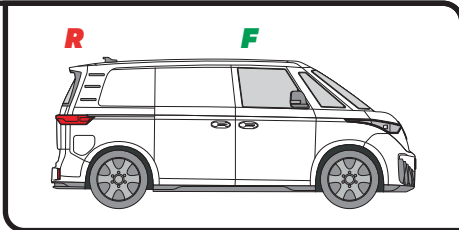
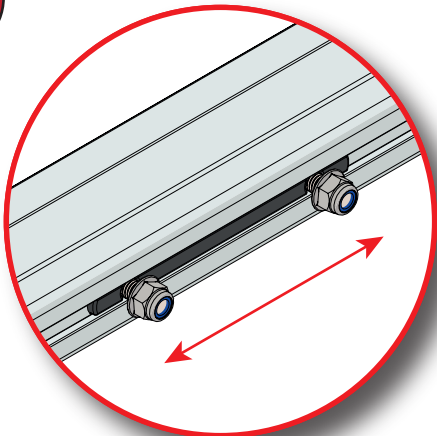
18



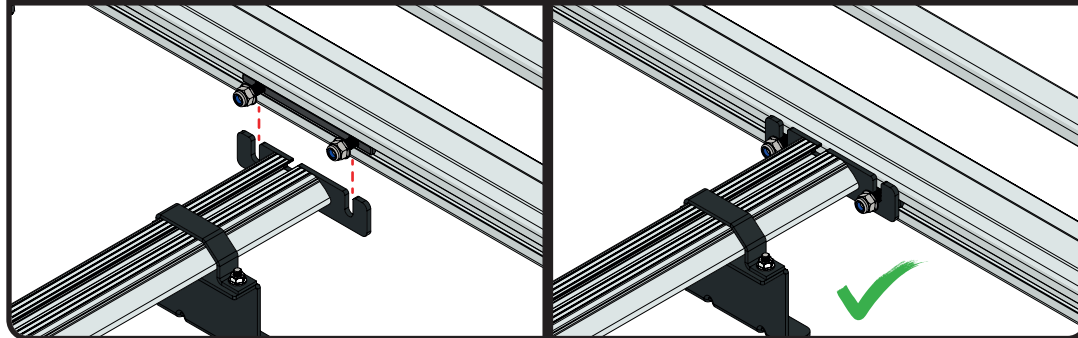
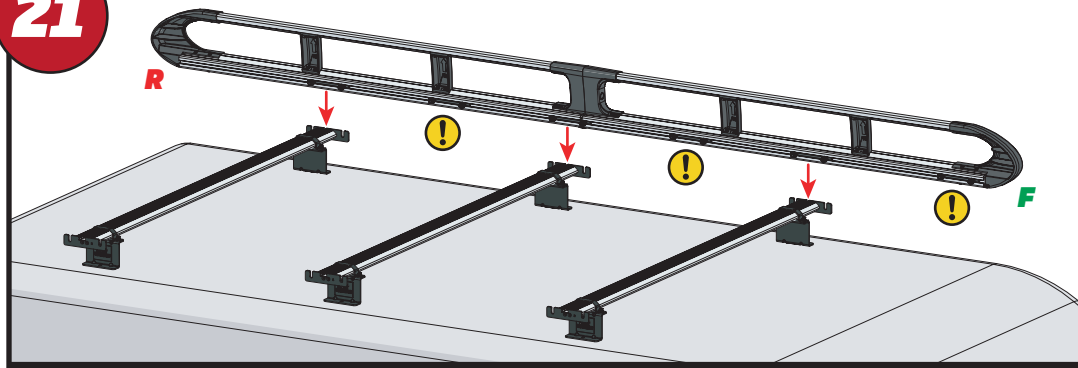
19



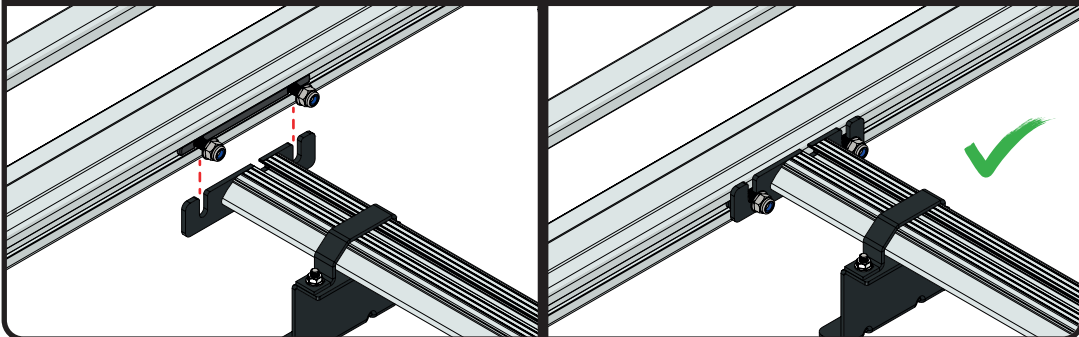
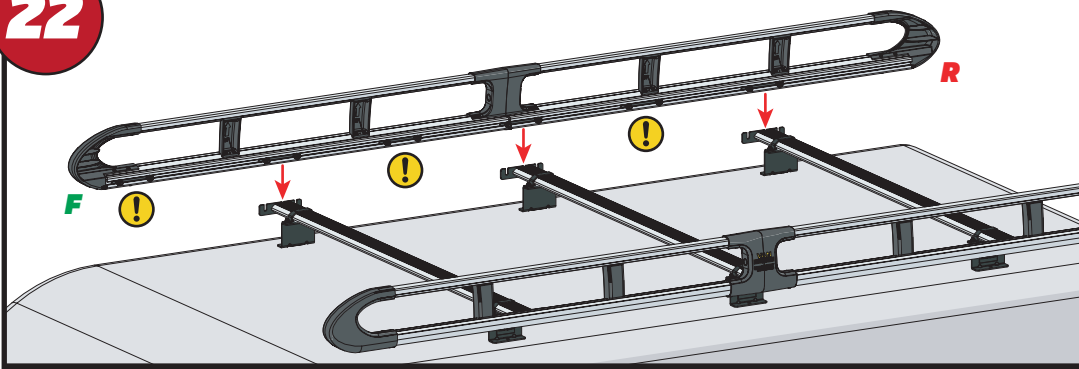
20



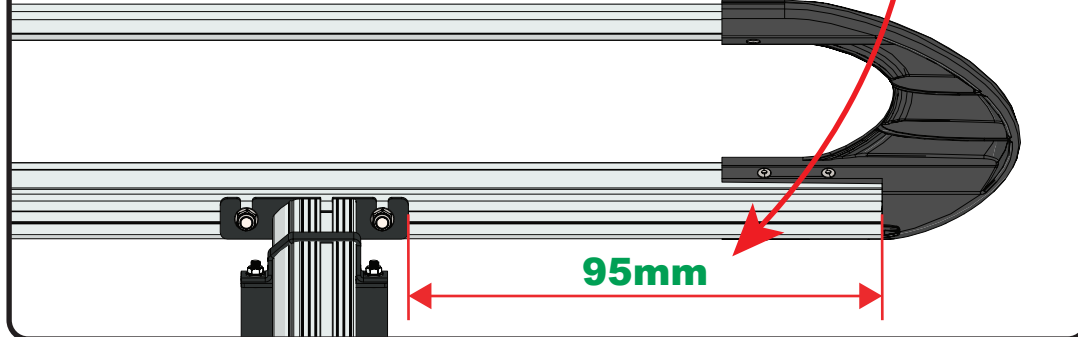
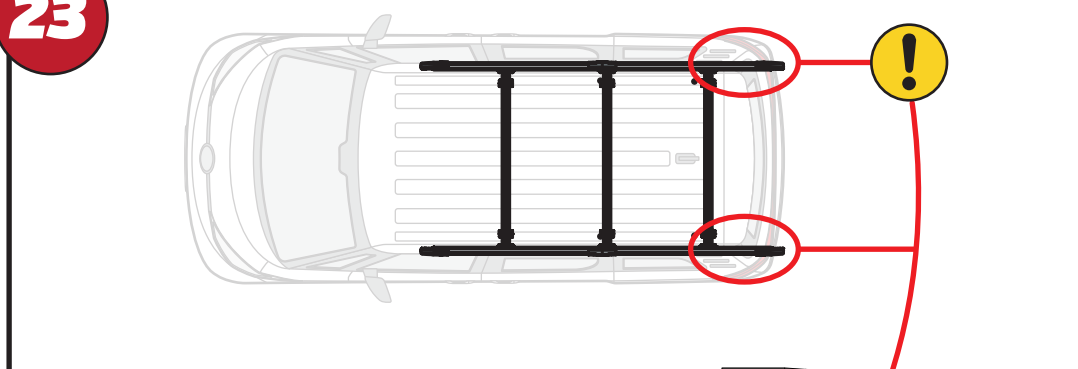
21

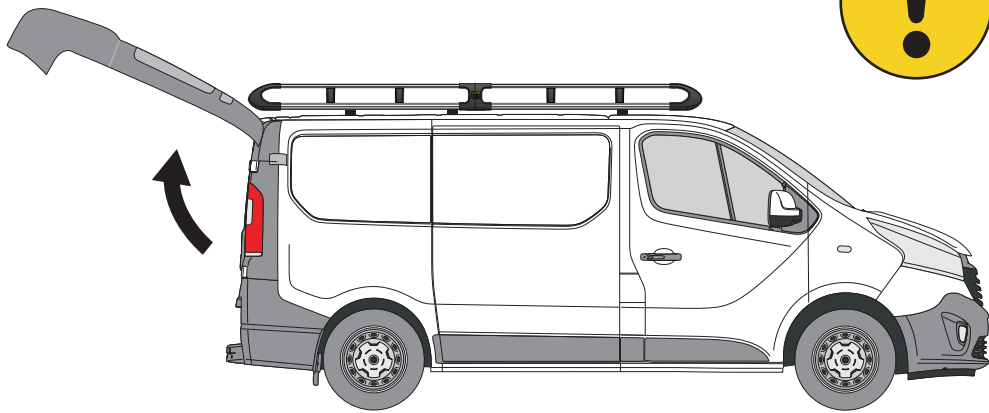


22



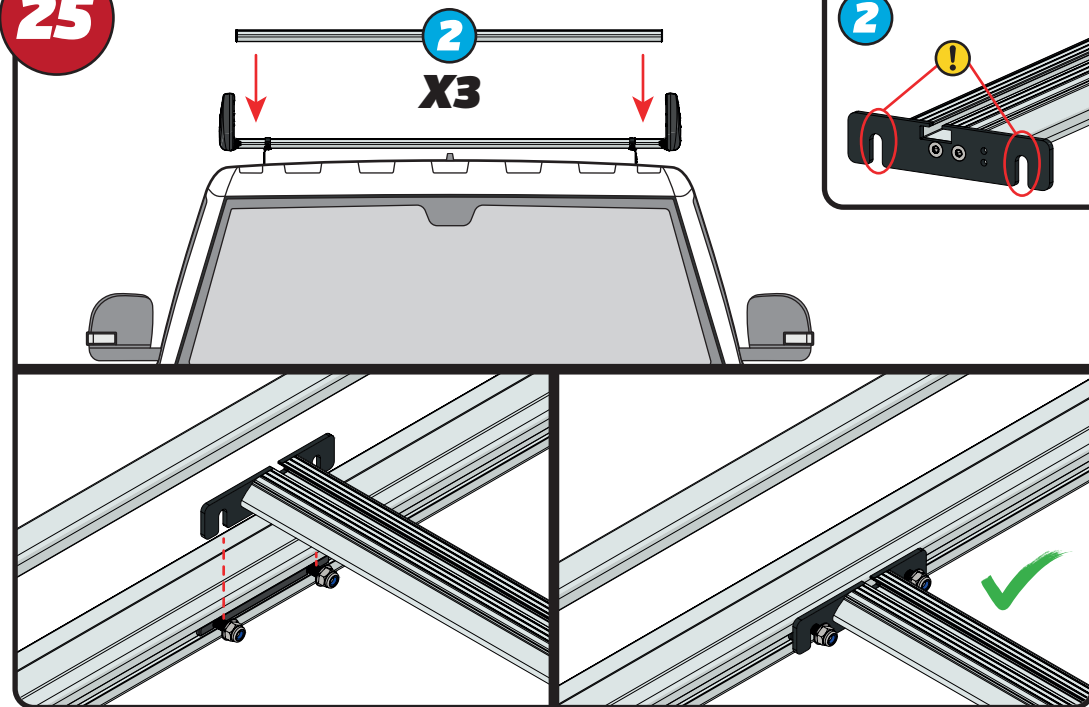
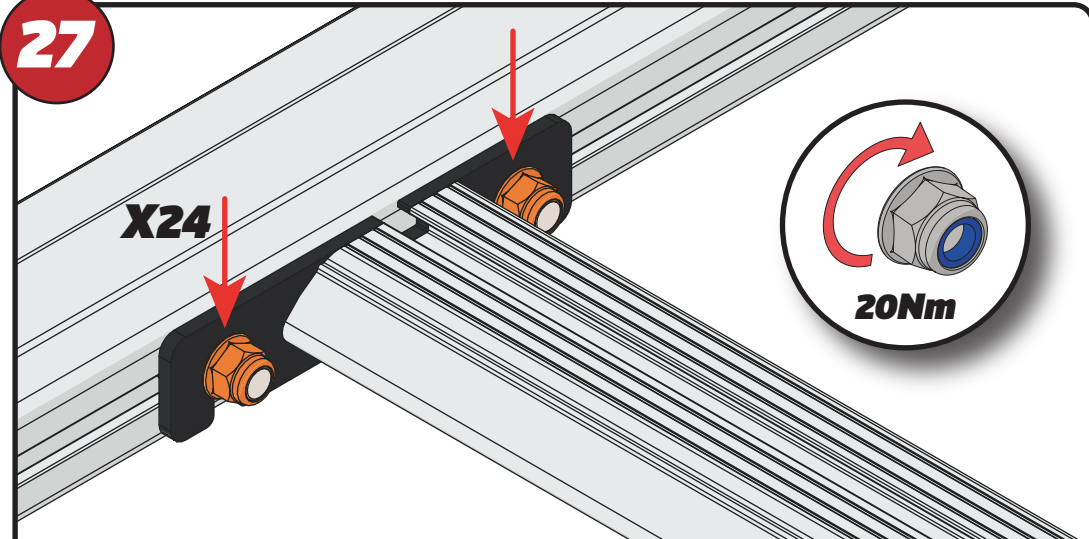
23



24

EN - CHECK TO ENSURE CLEARANCE FROM TAILGATE
 DE - ÜBERPRÜFEN SIE DEN ABSTAND ZUR HECKKLAPPE
 FR - VÉRIFIEZ LE DÉGAGEMENT PAR RAPPORT AU HAYON
 NL - CONTROLEER OP VRIJHEID VAN DE ACHTERKLEP
 ES - VERIFIQUE EL ESPACIO LIBRE CON LA PUERTA TRASERA
 IT - CONTROLLARE LA DISTANZA DALLA PORTELLONE

SV - KONTROLLERA AVSTÅND TILL BAKLUCKAN
 DA - KONTROLLER AFSTAND TIL BAGKLAPPEN
 NO - KONTROLLER KLARERING FRA BAKLUKE
 PL - SPRAWDŹ PRZEŚWIT OD TYLNEJ KLAPY
 CS - ZKONTROLUJTE VZDÁLENOST OD ZADNÍCH DVEŘÍ

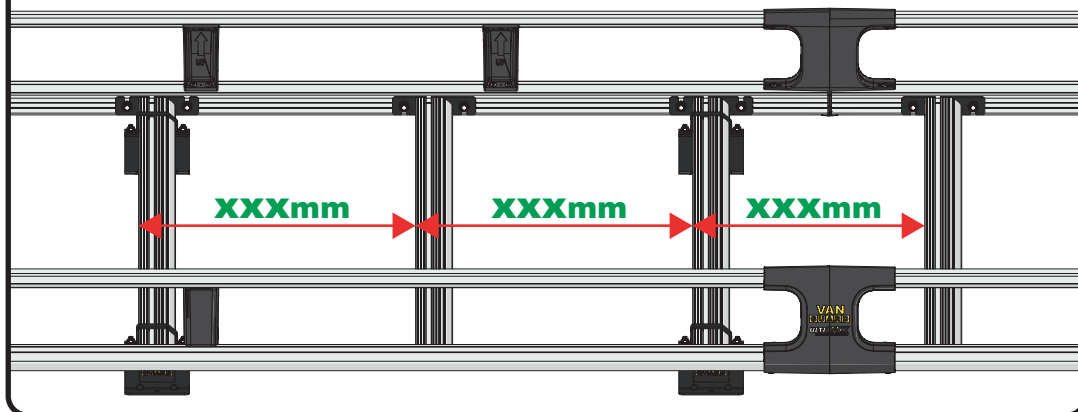
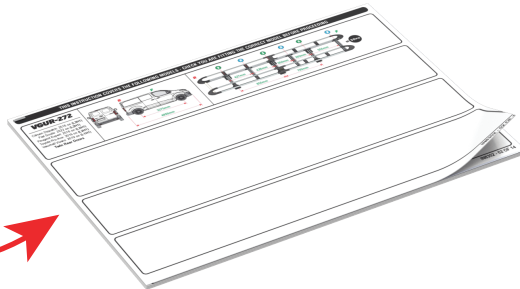
25**27**

EN - TIGHTEN ALL OF THE CROSS BARS
 DE - ALLE QUERSTANGEN FESTZIEHEN
 FR - SERREZ TOUTES LES BARRES TRANSVERSALES
 NL - DRAAI ALLE DWARSBALK VAN HET DAK AAN
 ES - APRIETE TODAS LAS BARRAS TRANSVERSALES
 IT - STRINGERE TUTTE LE BARRE TRASVERSALI

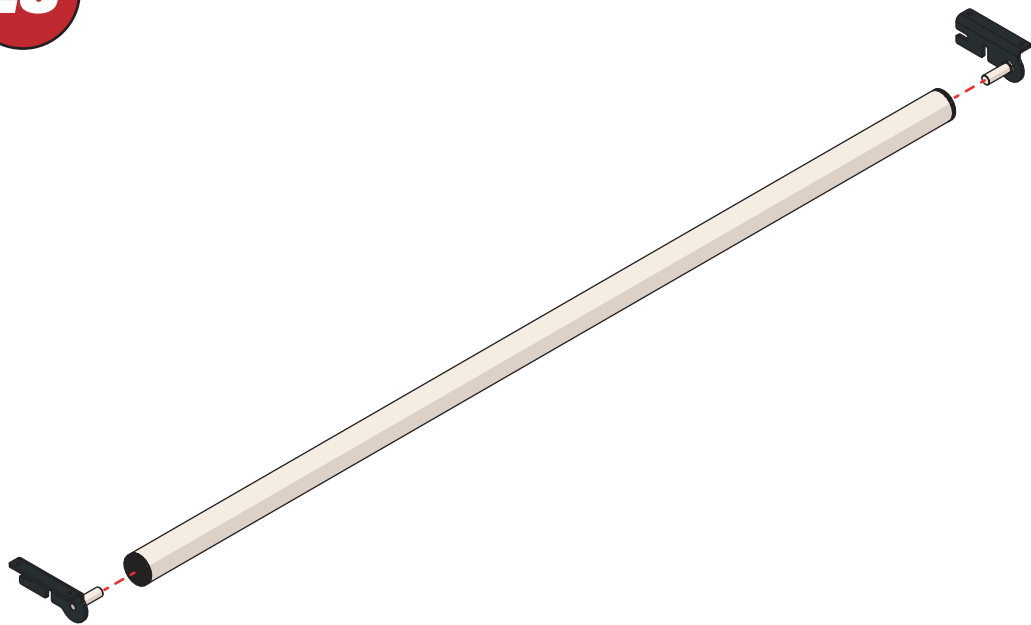
SV - SKRU UPP ALLA KORSSTANGAR
 DA - SKRU ALLE TAGBØJLER OP
 NO - SKRU OPP ALLE TVERRSTENGER
 PL - DOKRĘCIĆ WSZYSTKIE POPRZECZKI
 CS - VŠECHNY PŘÍČNÉ TYČE SEŠROUJTE

26

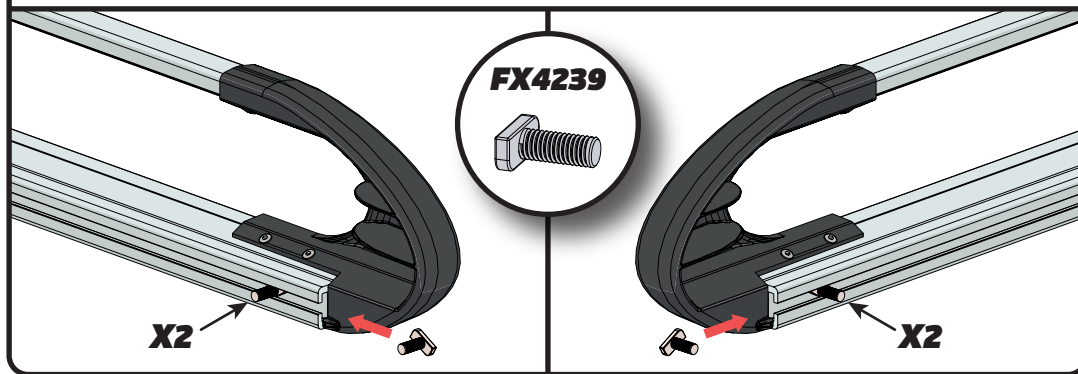
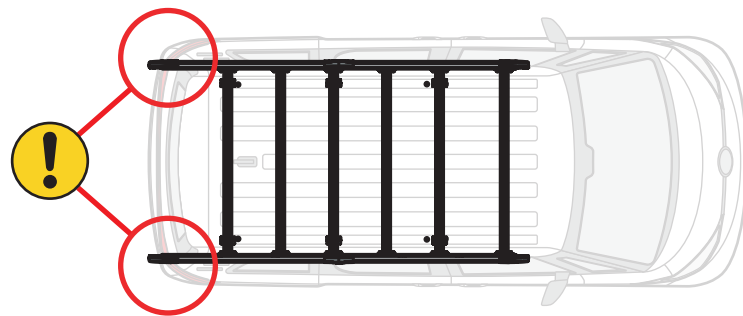
XXX =
 PAGE 2 OF 14



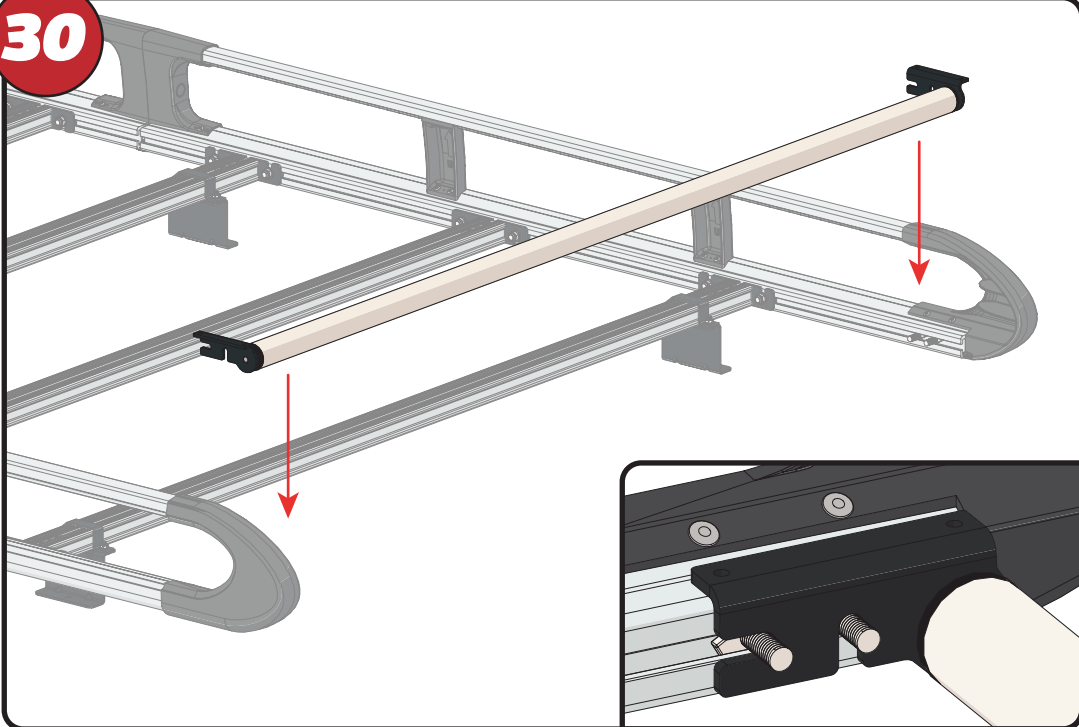
28



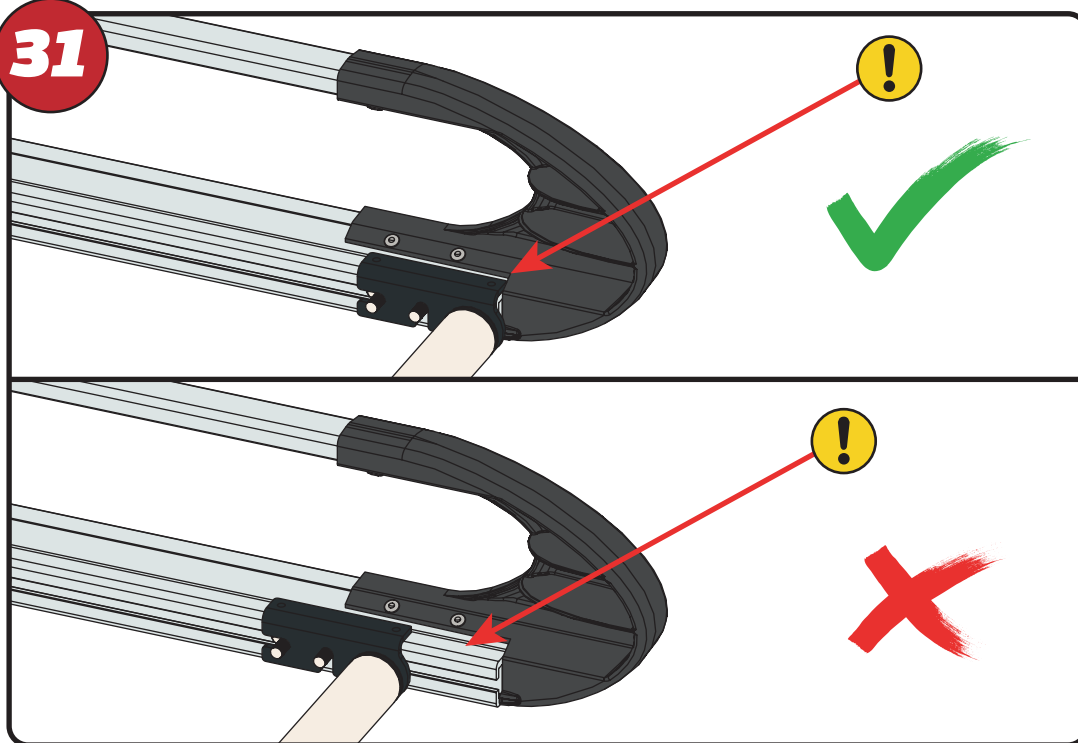
29



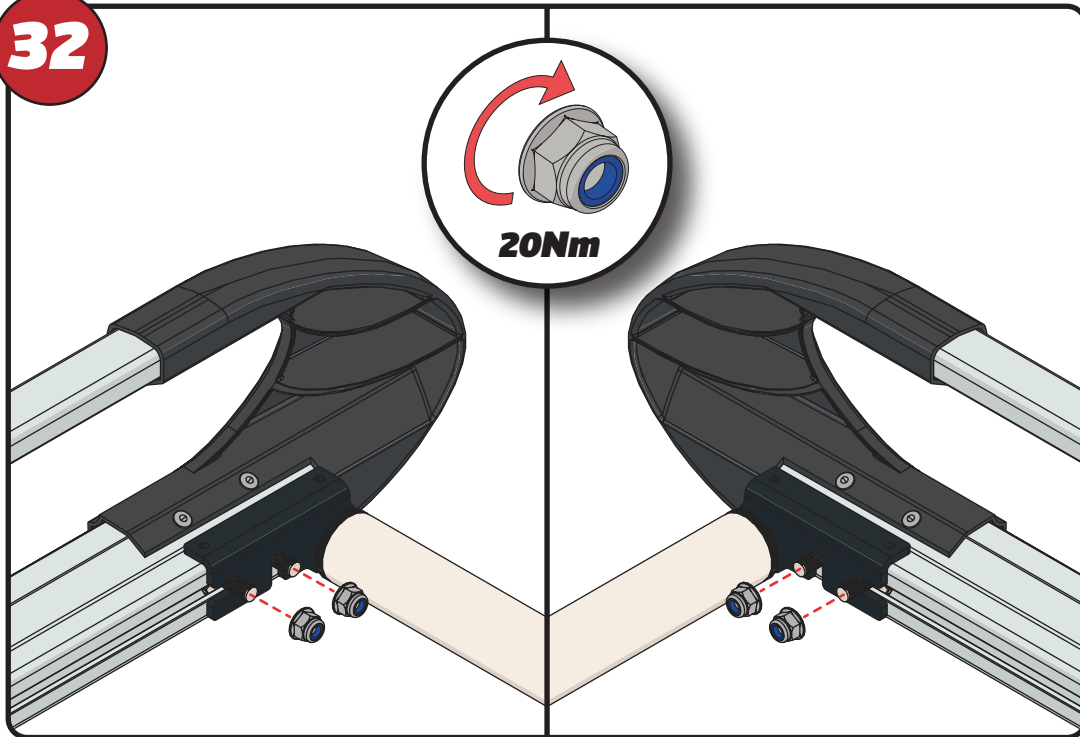
30



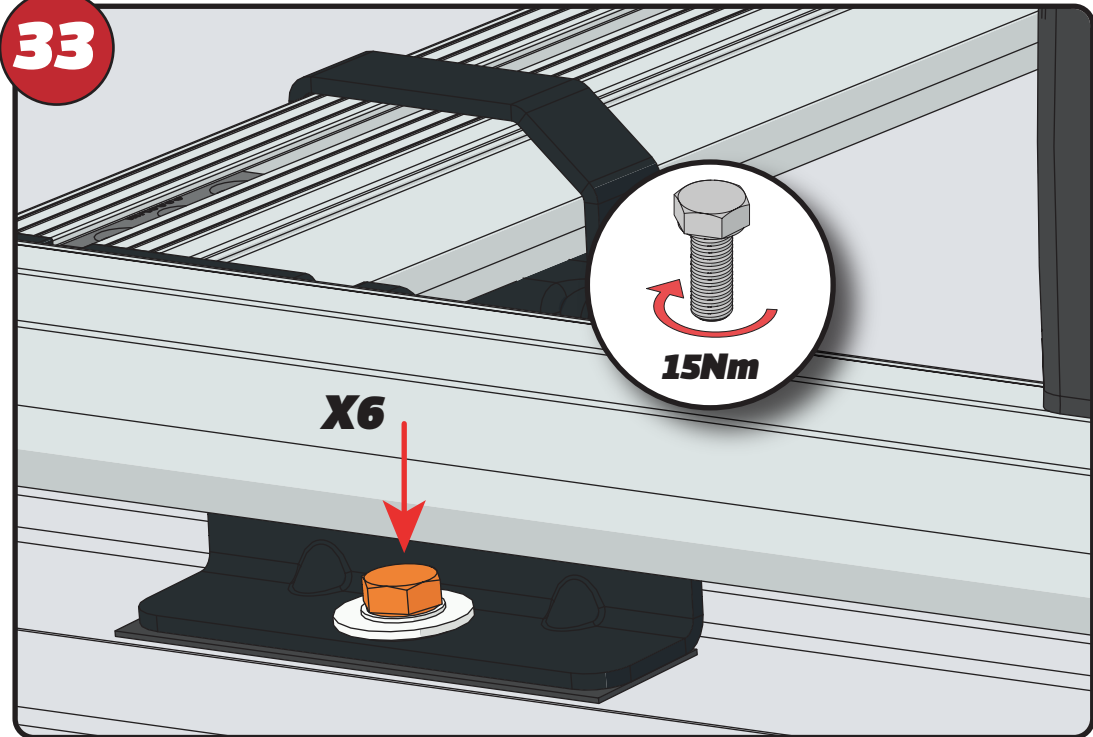
31



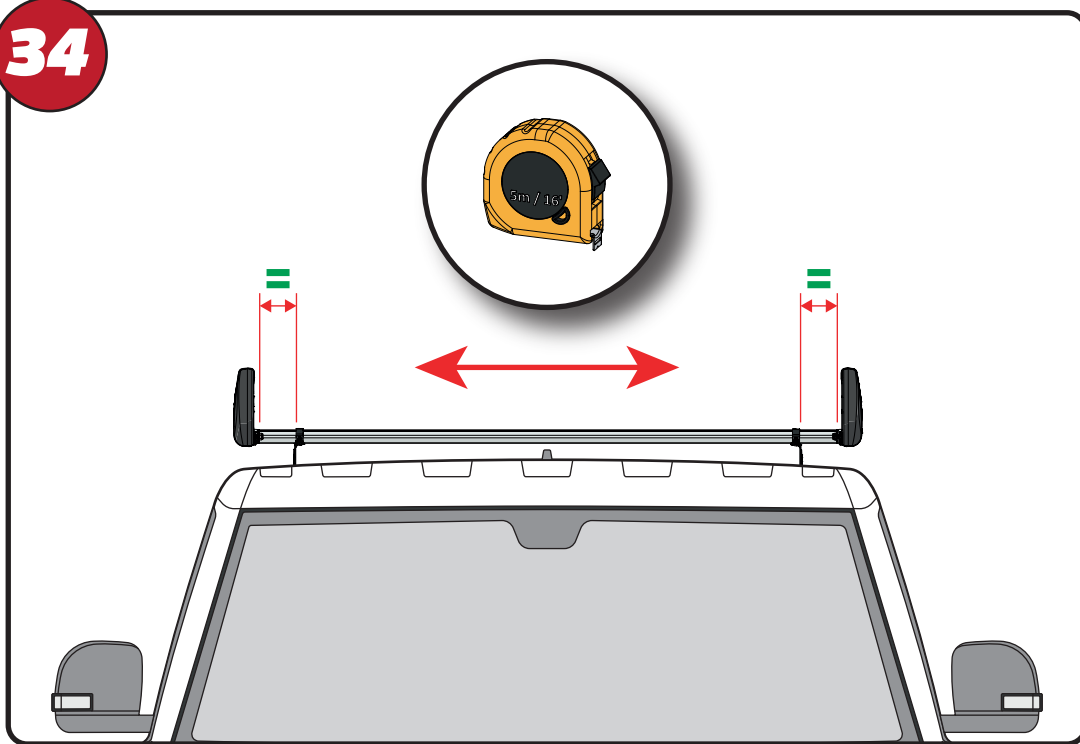
32



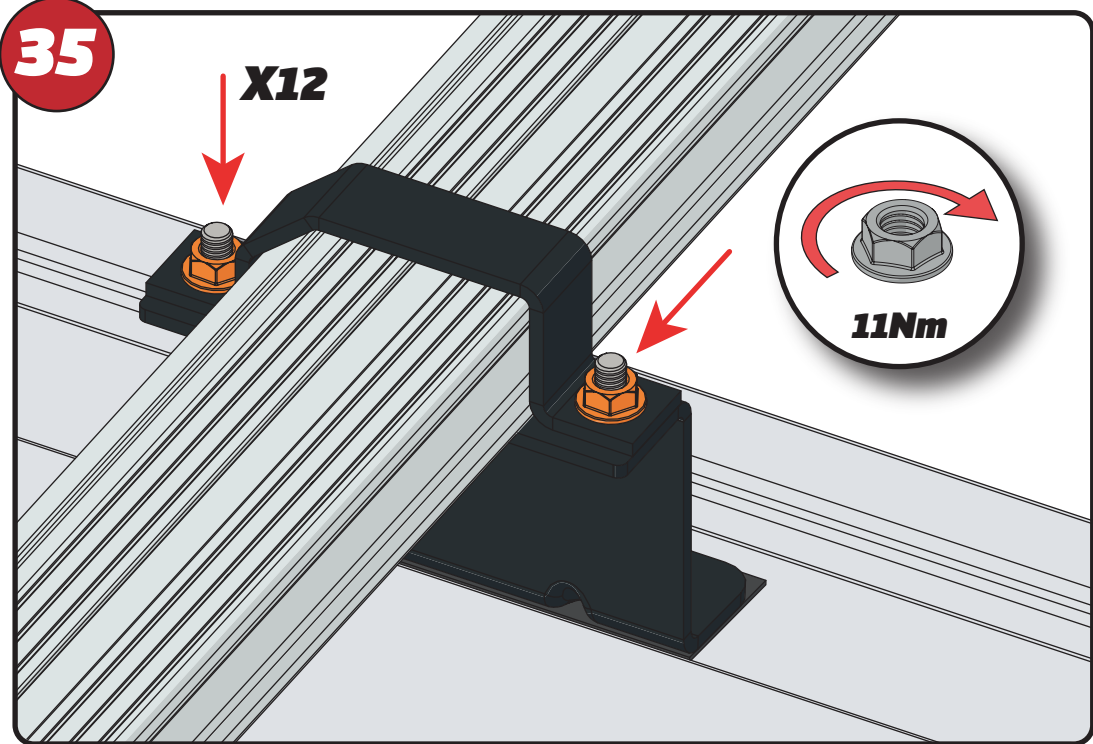
33



34



35

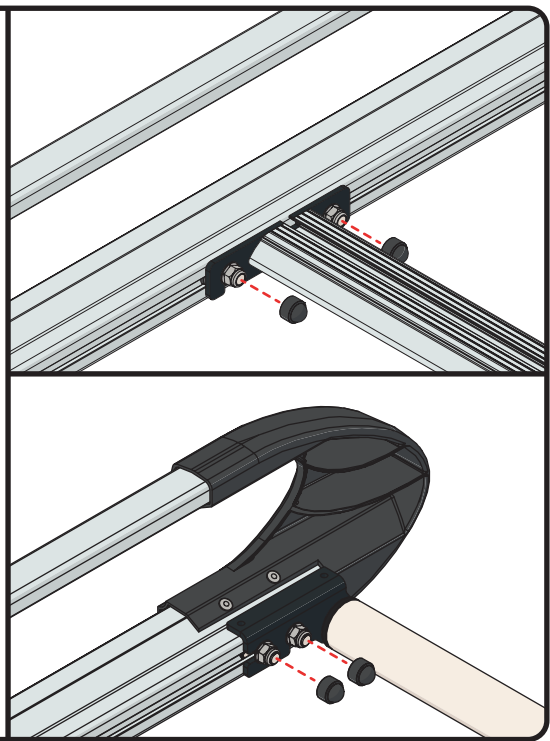


36



FX4241

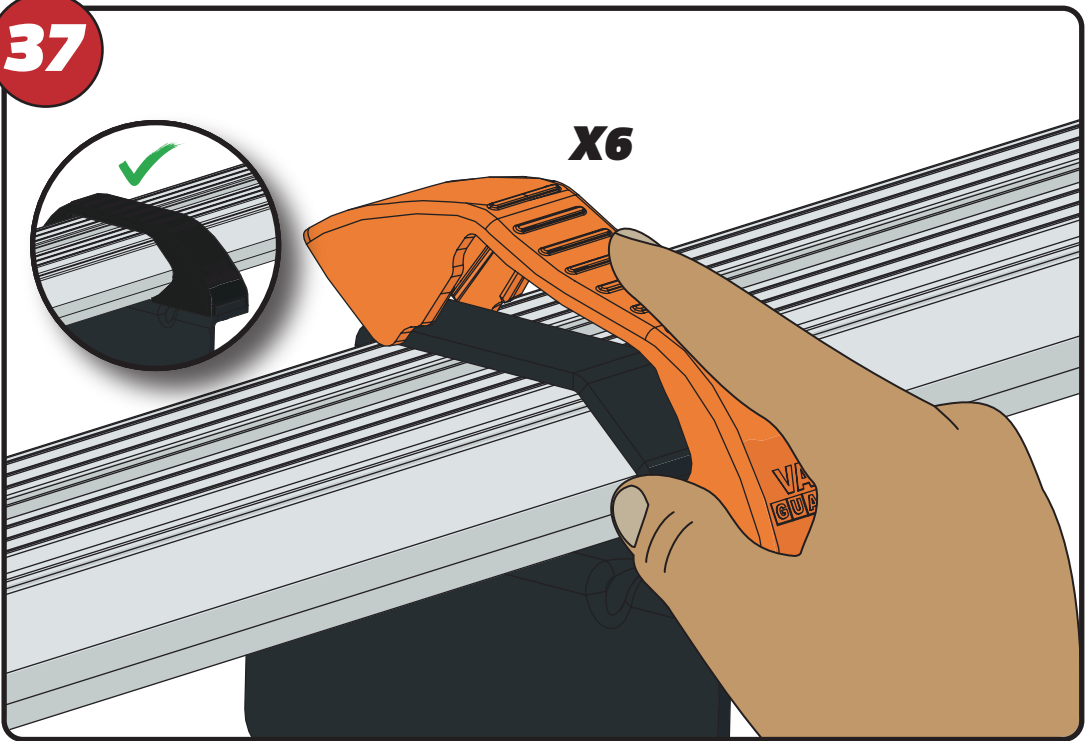
X28



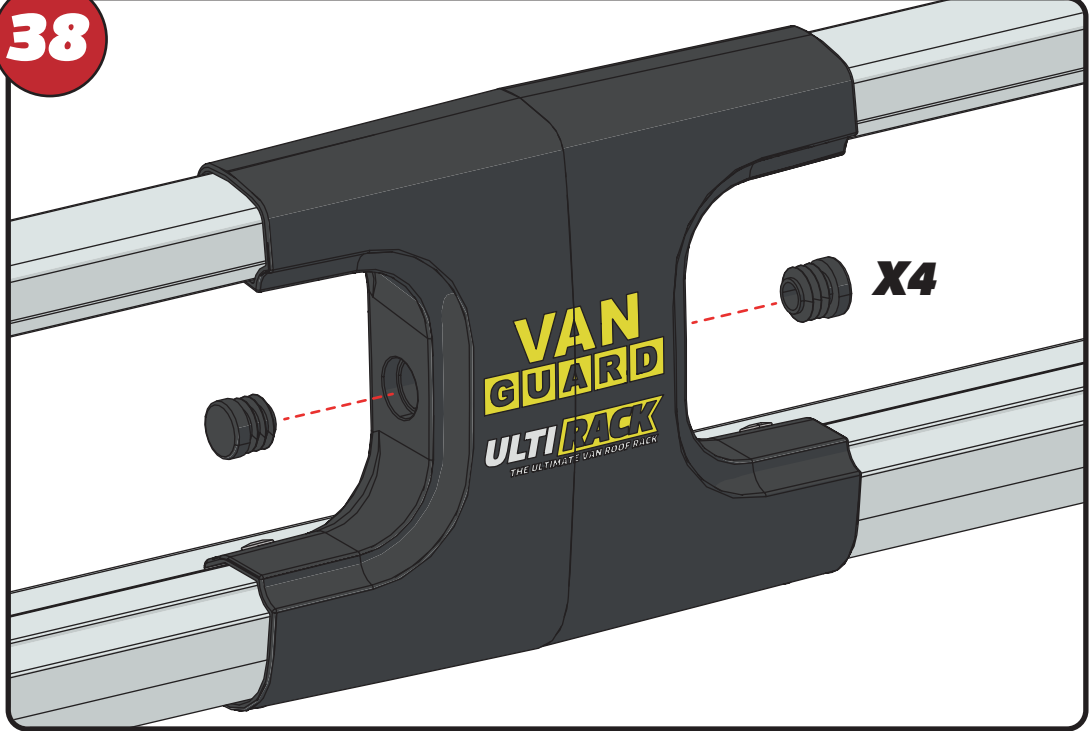
37



X6



38



**VAN GUARD
ULTI RACK**
THE ULTIMATE VAN ROOF RACK

X4

39

