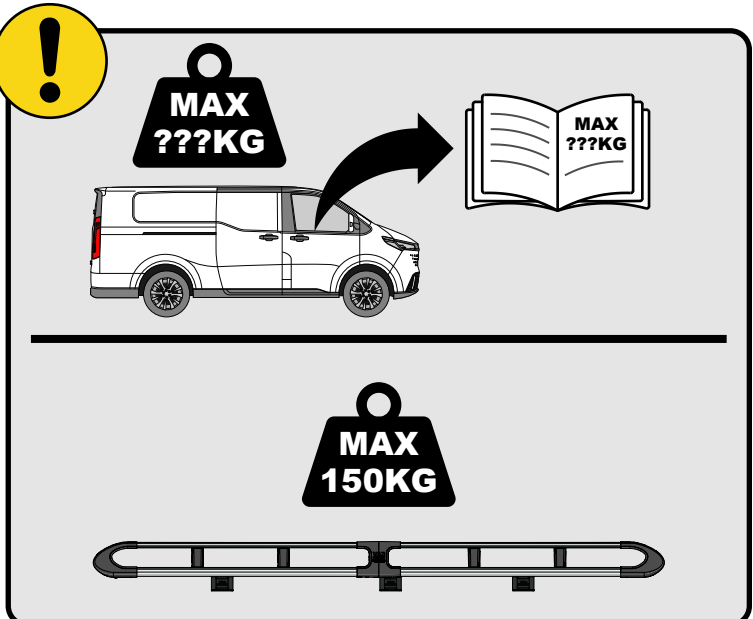
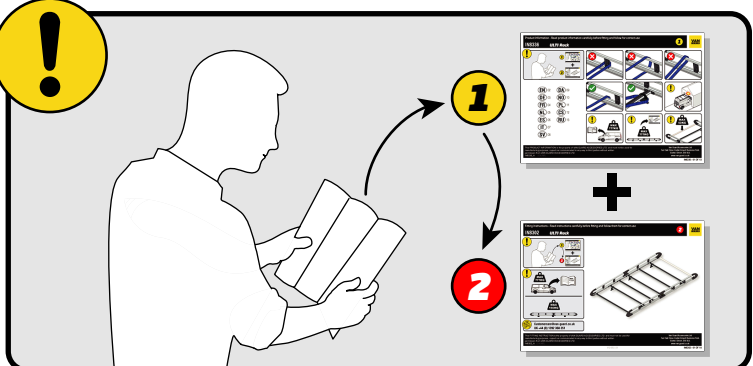


# IN8516

## ULTI Rack+



 **Customercare@van-guard.co.uk**  
**UK +44 (0) 1392 368 351**



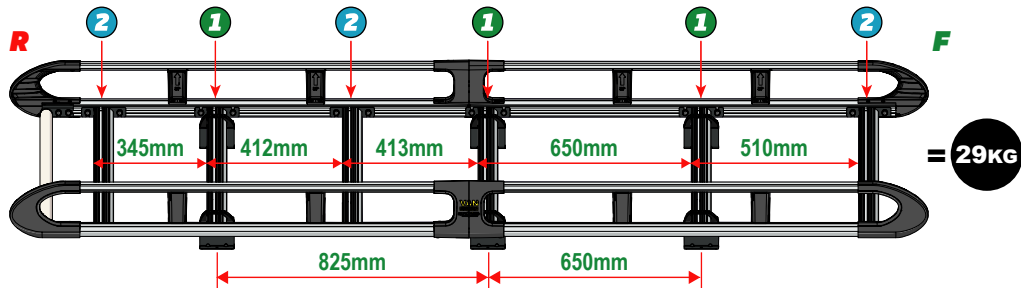
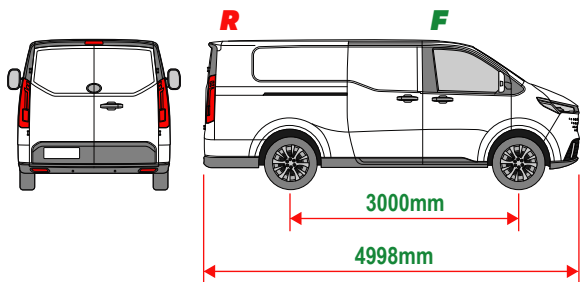
This FITTING INSTRUCTION is the property of VAN GUARD ACCESSORIES LTD. and must not be used for manufacturing purposes, copied nor communicated in any way to third parties without written permission from VAN GUARD ACCESSORIES LTD.  
IN8516\_A (CN:NR)

Van Guard Accessories Ltd  
Fair Oak Close, Exeter Airport Business Park,  
Exeter, Devon, EX5 2UL  
[www.van-guard.co.uk](http://www.van-guard.co.uk)

THIS INSTRUCTION COVERS THE FOLLOWING MODELS - CHECK YOU ARE FITTING THE CORRECT MODEL BEFORE PROCEEDING

# VGUR-308

Maxus Deliver 7: 2023 on  
L1H1  
Twin Rear Doors



**SUPPLIED COMPONENTS - CHECK ALL PARTS ARE PRESENT AND CORRECT BEFORE PROCEEDING (1 OF 2)**

**TOOLS REQUIRED**

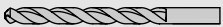
**10MM X1**



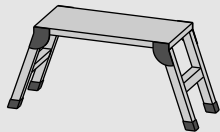
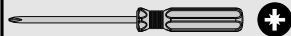
**13MM X2**



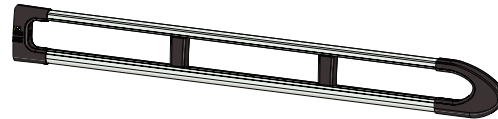
**Ø4 & Ø9**



**SCREWDRIVER**



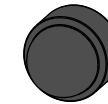
**AS3537 X2**  
(2600 / A)



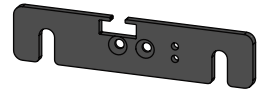
**MA6118 X12**



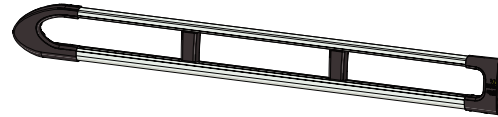
**FX4241 X28**



**ME1622 X3**



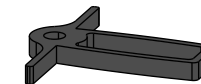
**AS3536 X2**  
(2600 / B)



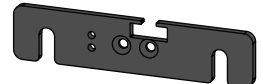
**FX4008 X1**



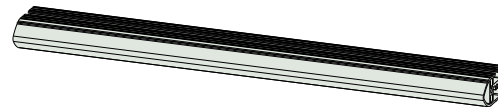
**MA6145 X1**



**ME1623 X3**



**ME1627 X6**  
(1354mm)



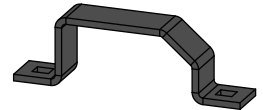
**FX4001 X2**  
(M8X40)



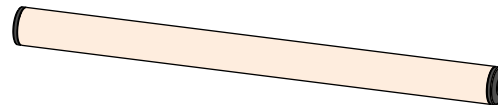
**FX4235 X24**  
(M5X25)



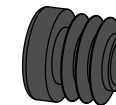
**ME0203 X6**



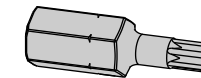
**AS3159 X1**  
(1340mm)



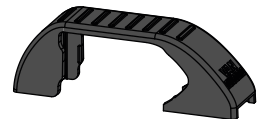
**MA6007 X4**



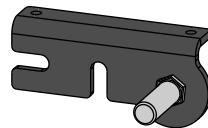
**FX4248 X1**  
(T25)



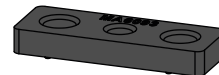
**MA6065 X6**



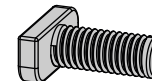
**AS3590 X1**



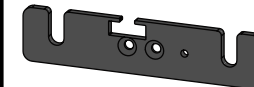
**MA6093 X12**



**FX4239 X28**  
(M8X20)



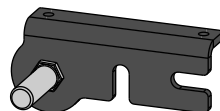
**ME1620 X3**



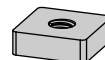
**FX4016 X12**  
(M6)



**AS3591 X1**



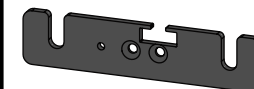
**ME0316 X12**



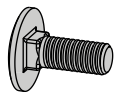
**FX4240 X28**  
(M8)



**ME1621 X3**

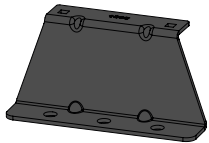


**FX4042 X12**  
(M6X16)



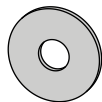
SUPPLIED COMPONENTS - CHECK ALL PARTS ARE PRESENT AND CORRECT BEFORE PROCEEDING (2 OF 2)

**ME1669 X6**

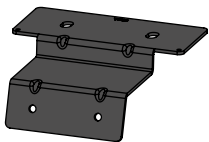


**FX4013 X4**

(M6)



**ME2557 X2**



**FX4019 X8**

(M8)

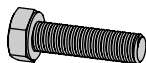


**AS3855 X4**



**FX4039 X8**

(M8X30)



**FX4011 X4**

(M8)



**FX4142 X4**



**FX4014 X8**

(RUBBER)

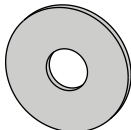


**MA6136 X6**



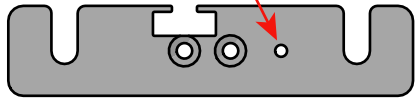
**FX4040 X12**

(M8)



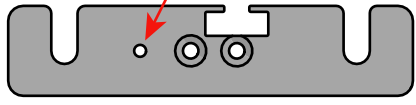
**01**

**1L**



**X3**

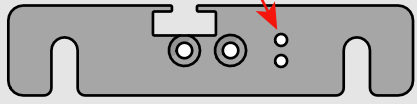
**1R**



**X3**

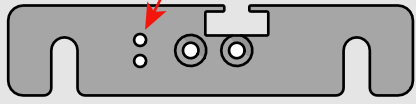


**2L**



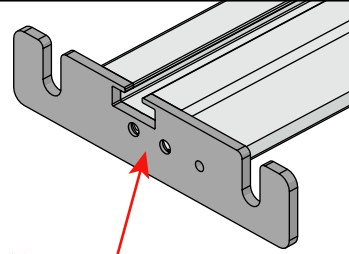
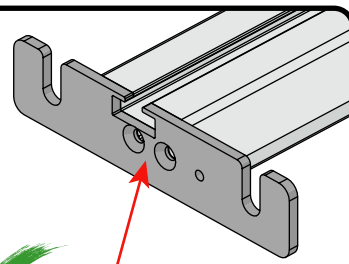
**X3**

**2R**



**X3**

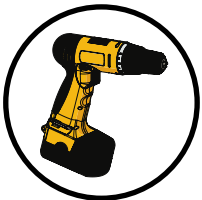
**02**



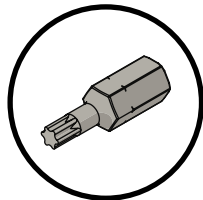
**03**

**01**

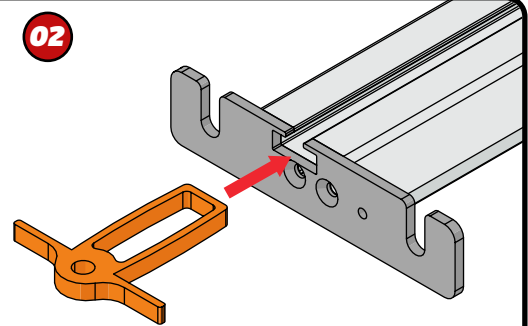
**FX4248**



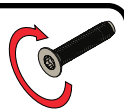
**+**



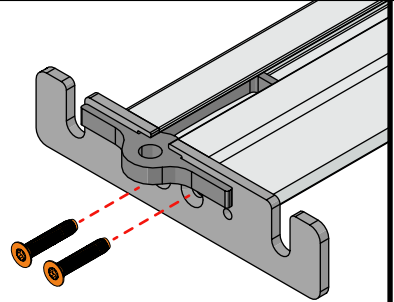
**02**



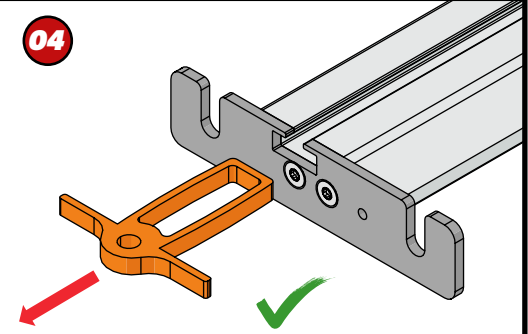
**03**



**11Nm**



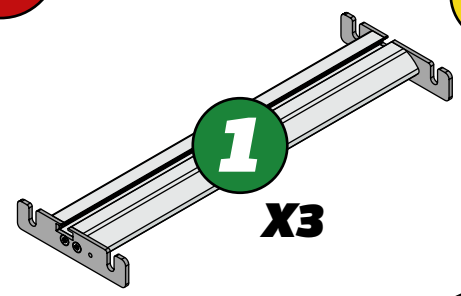
**04**



**04**

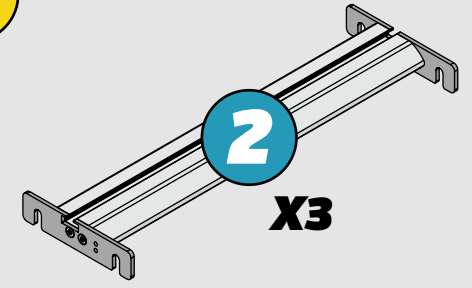


**1**

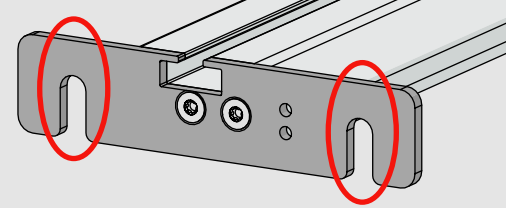
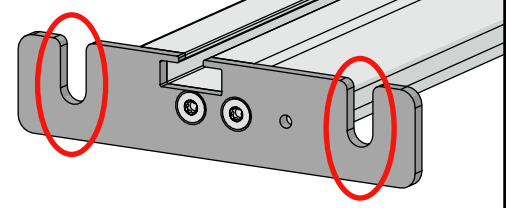


**X3**

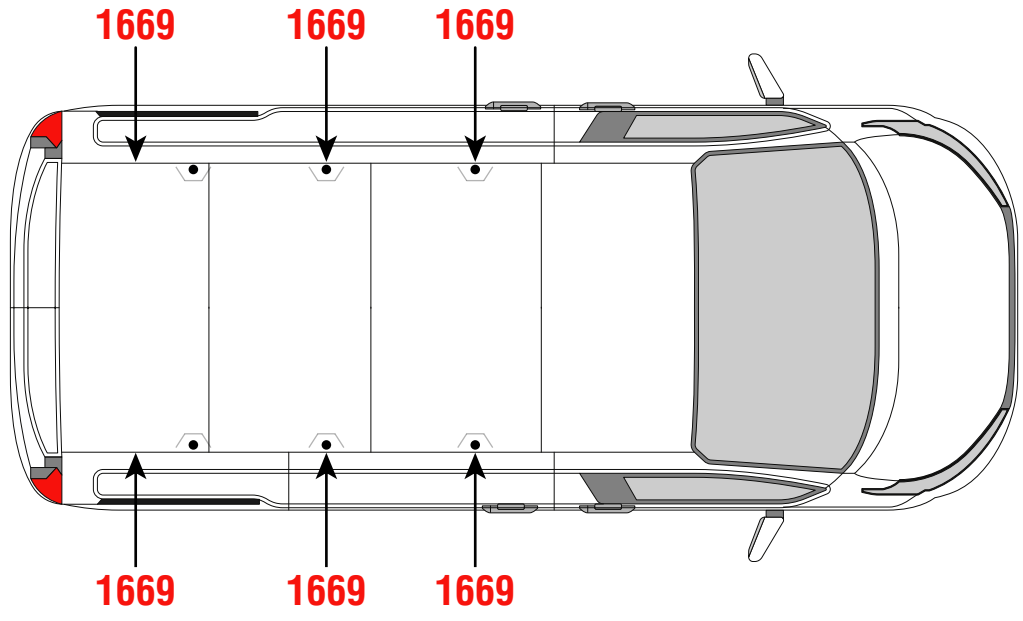
**2**



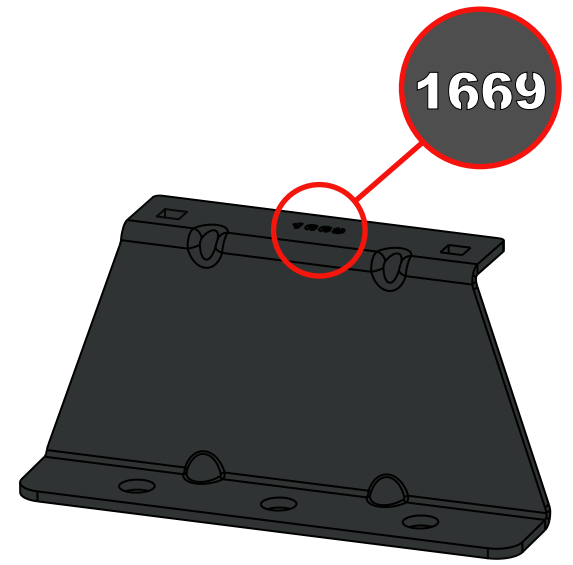
**X3**



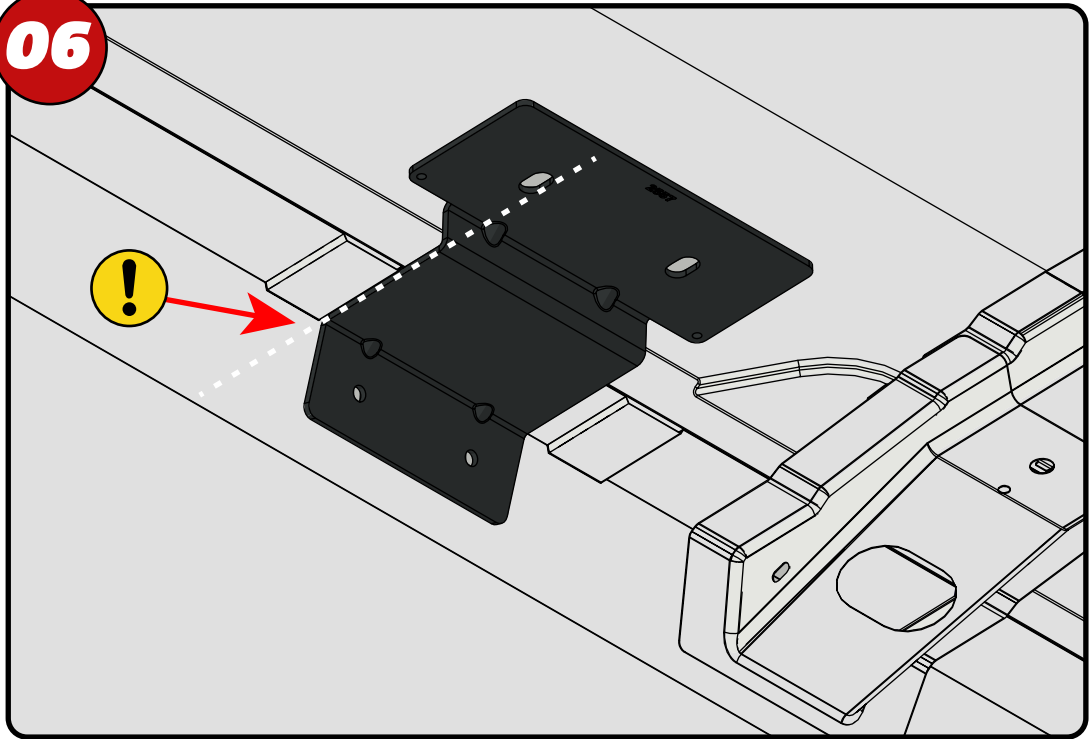
**05**



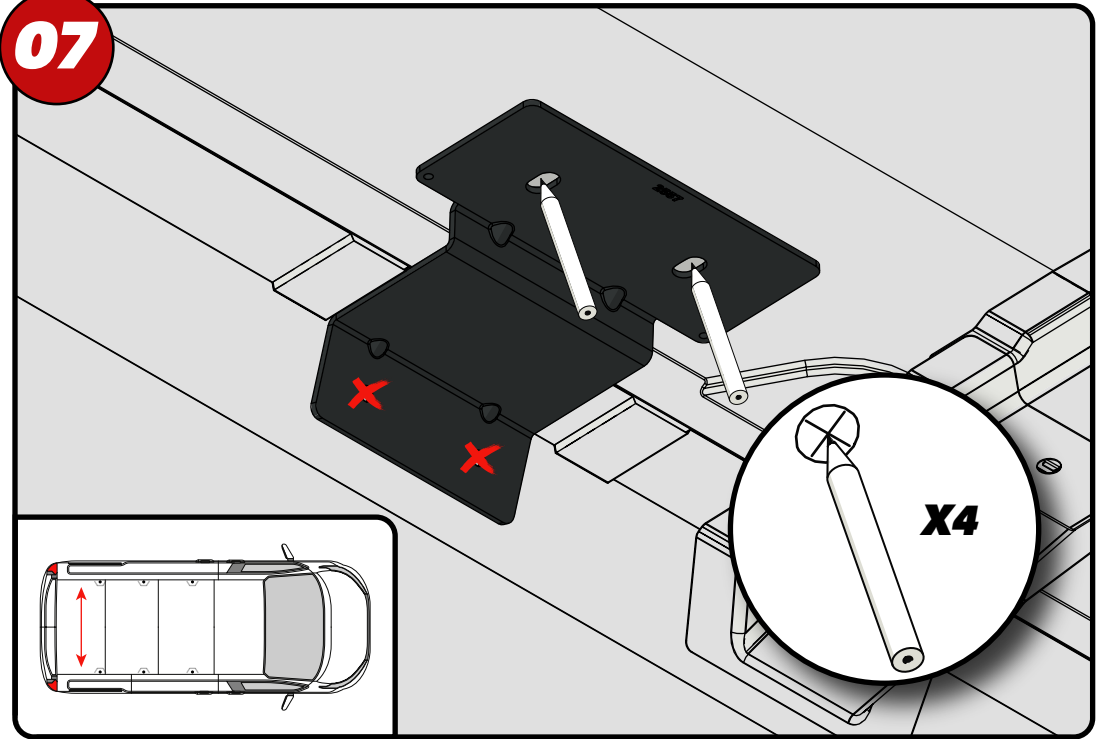
**1669**



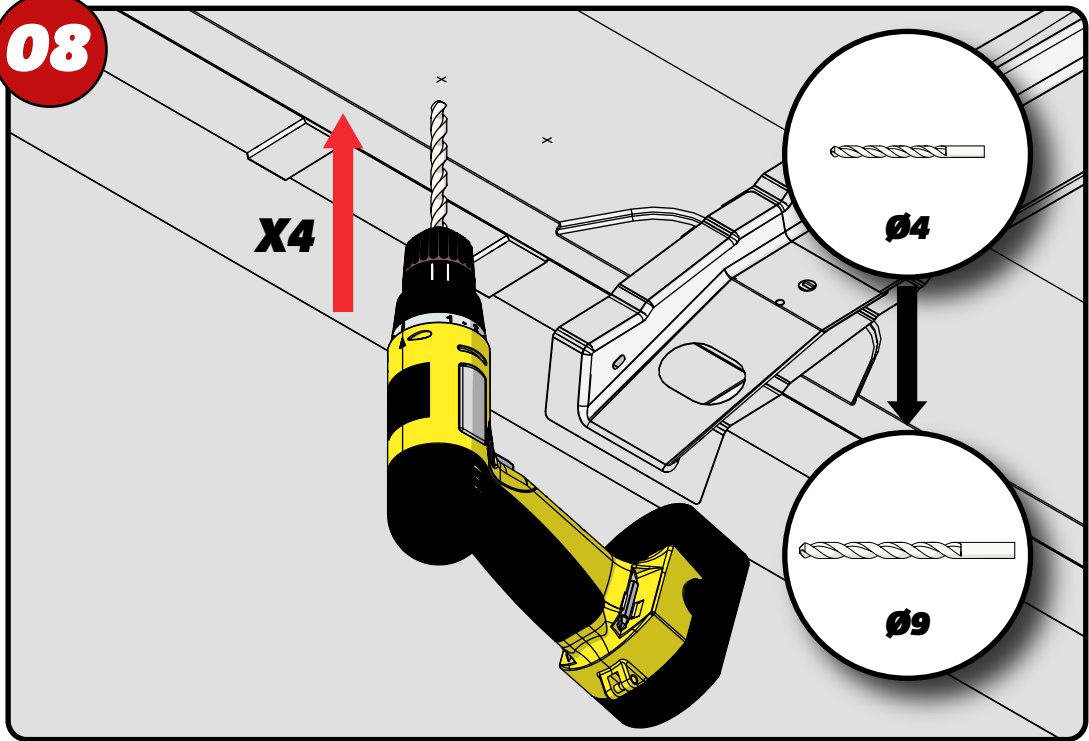
**06**



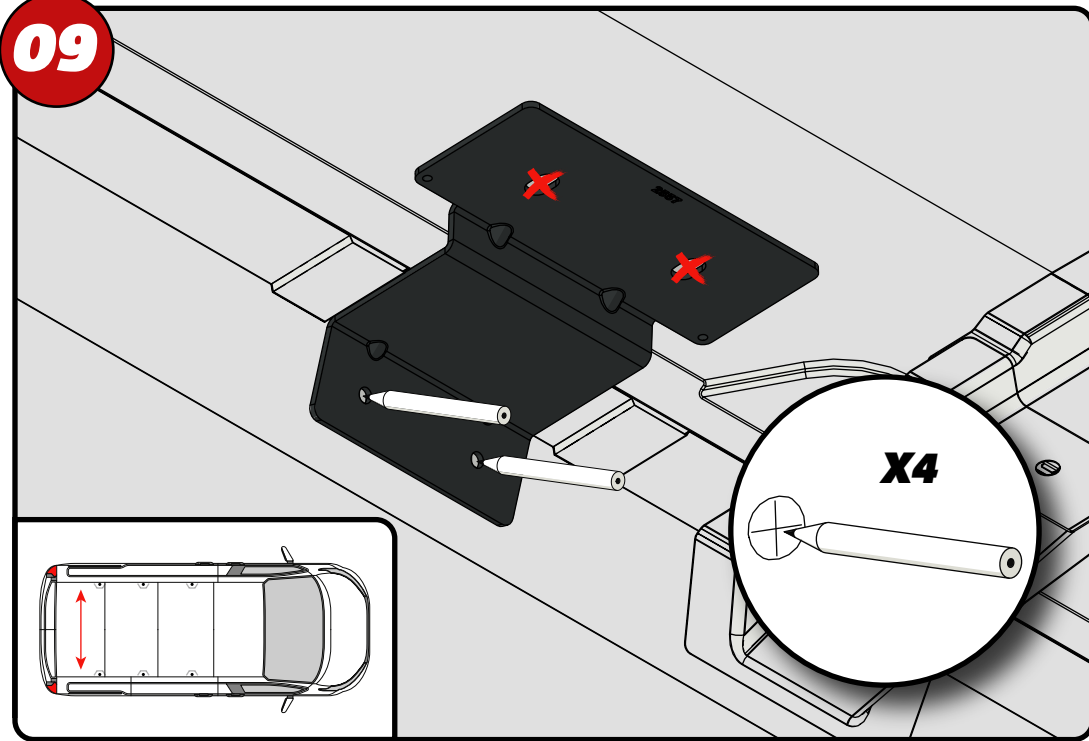
**07**



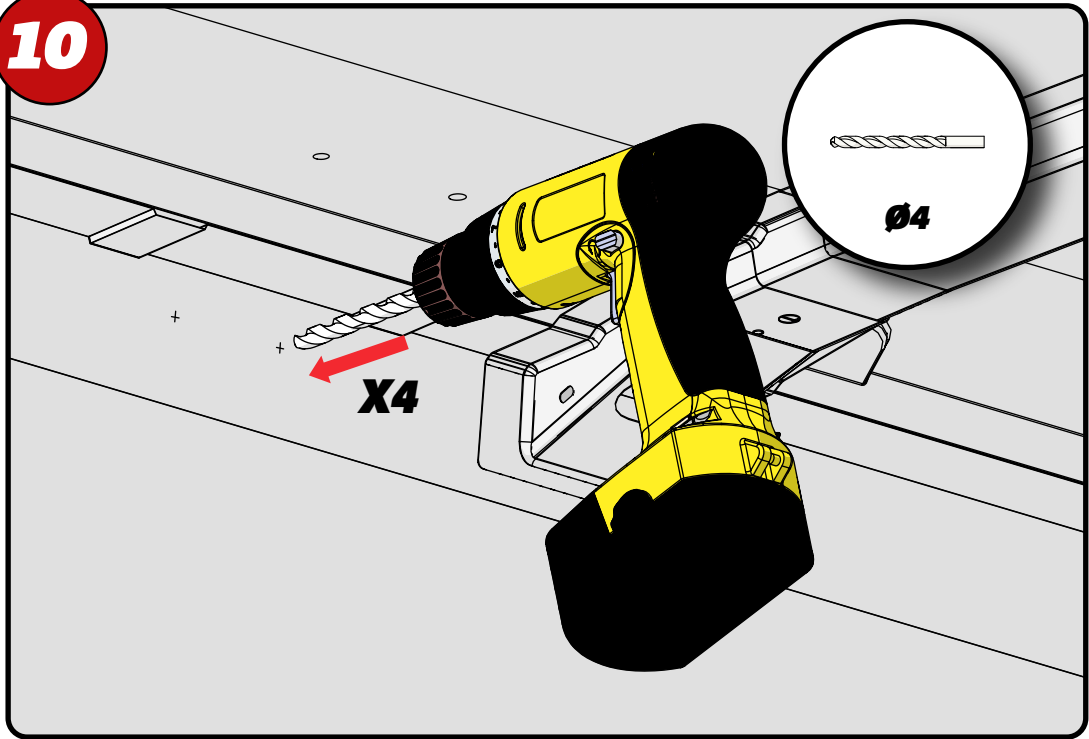
08



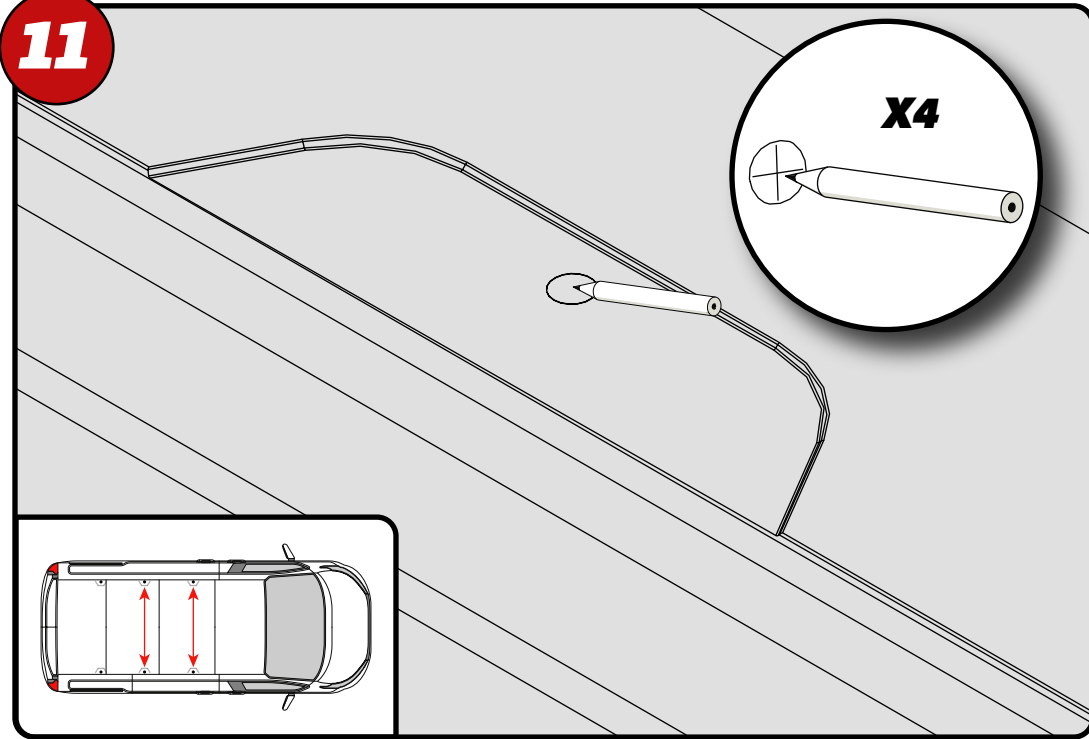
09



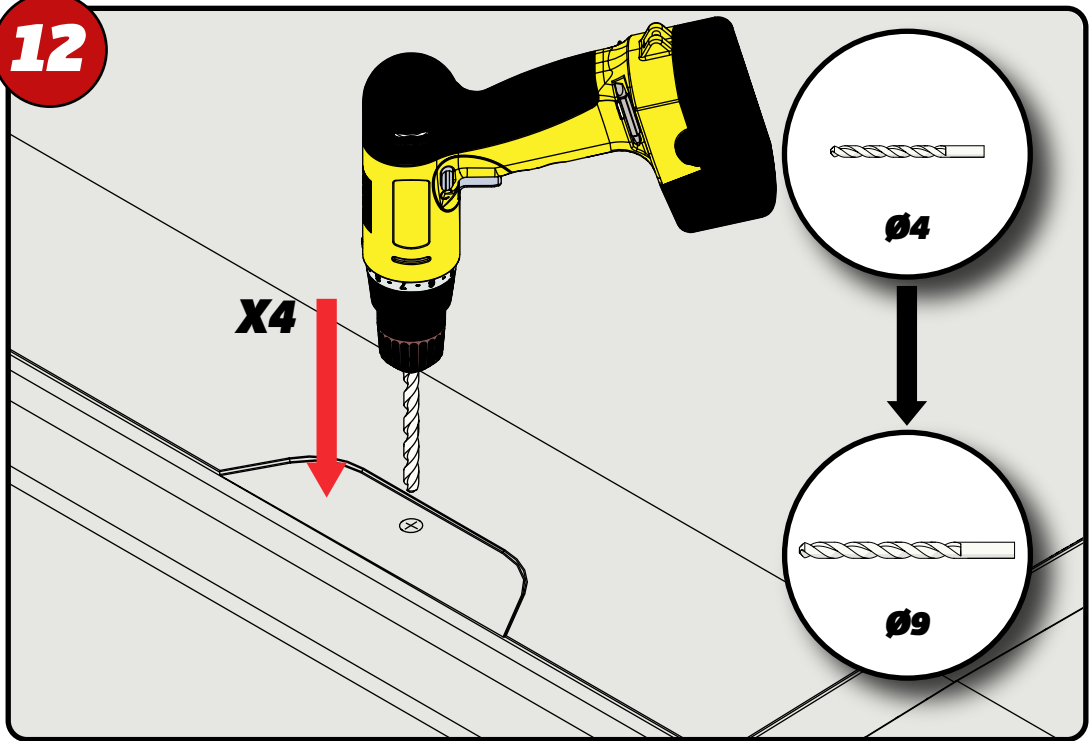
10



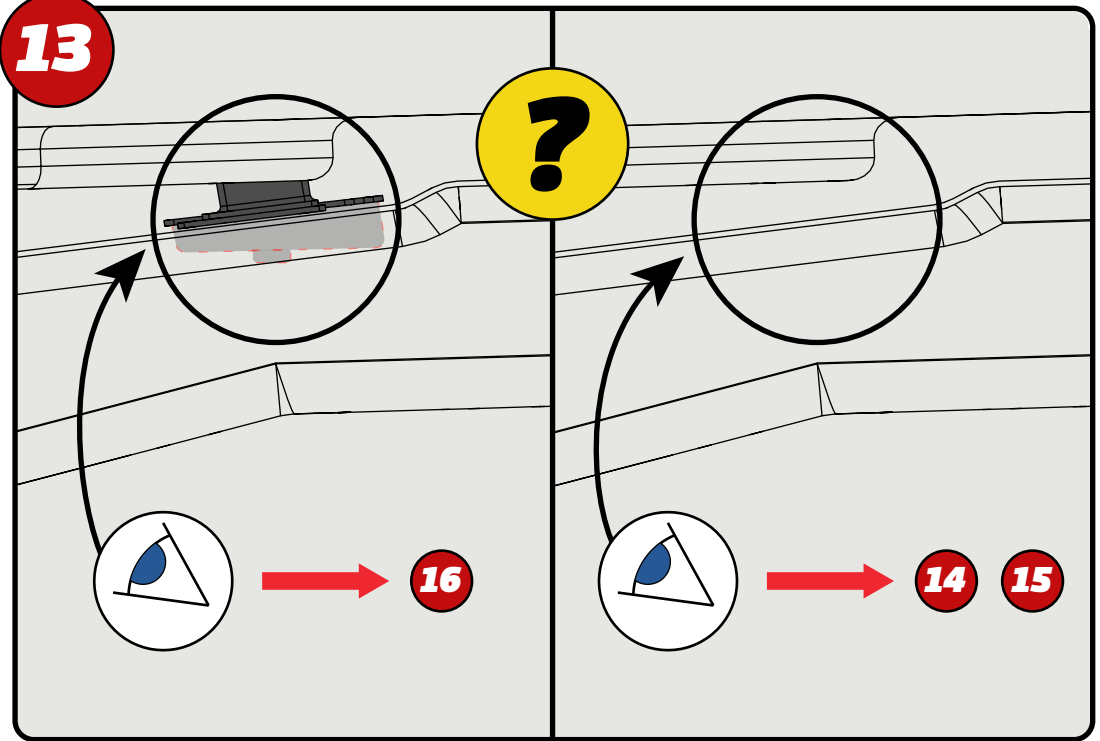
11



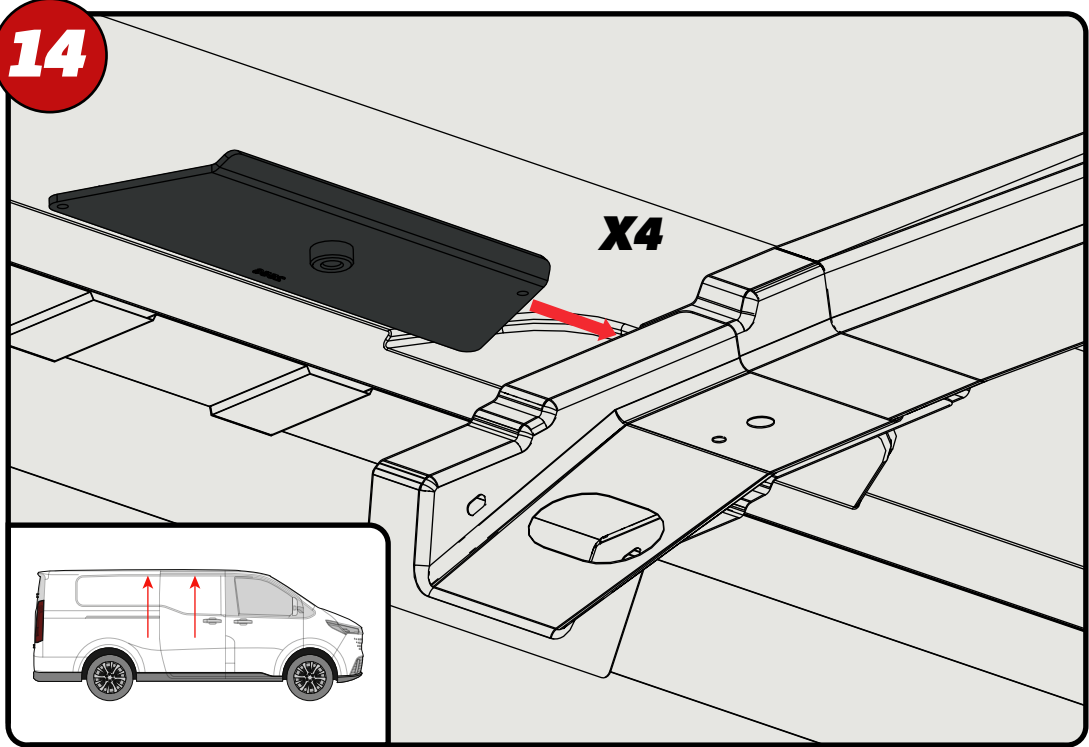
12



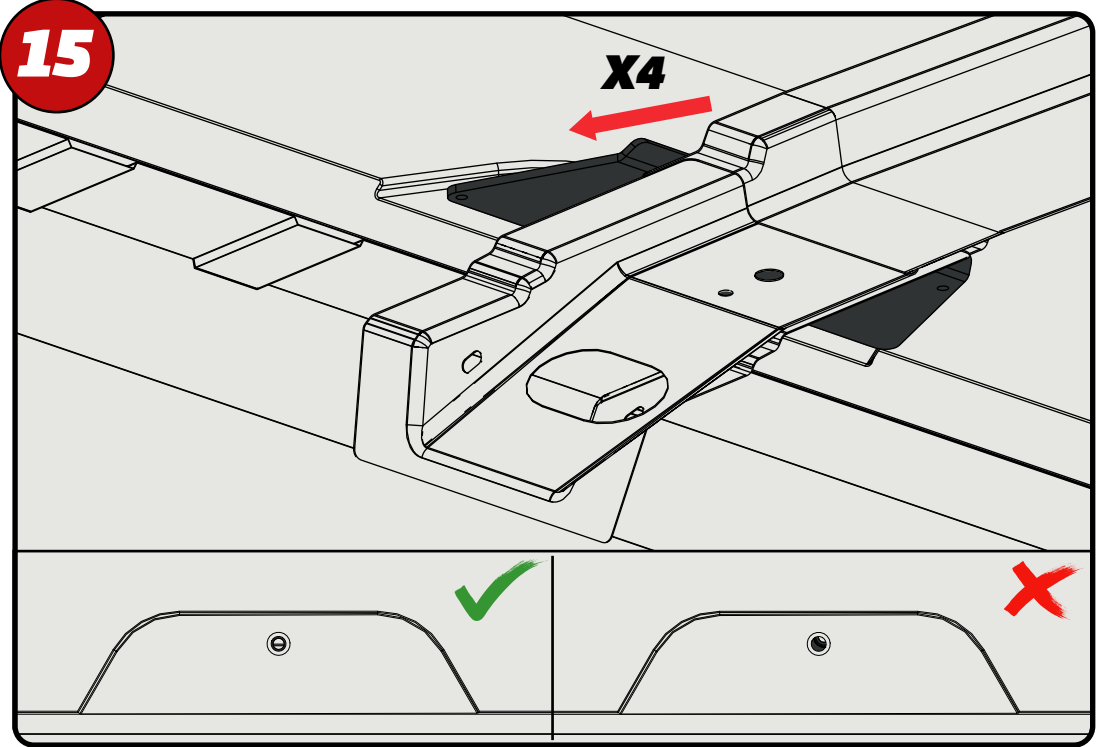
13

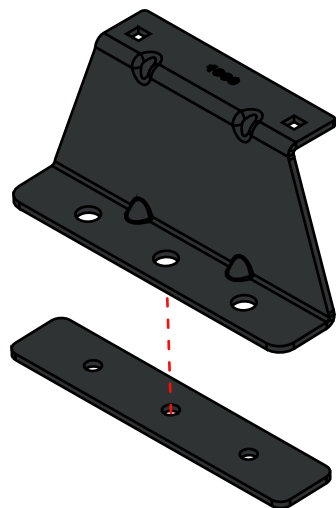


14



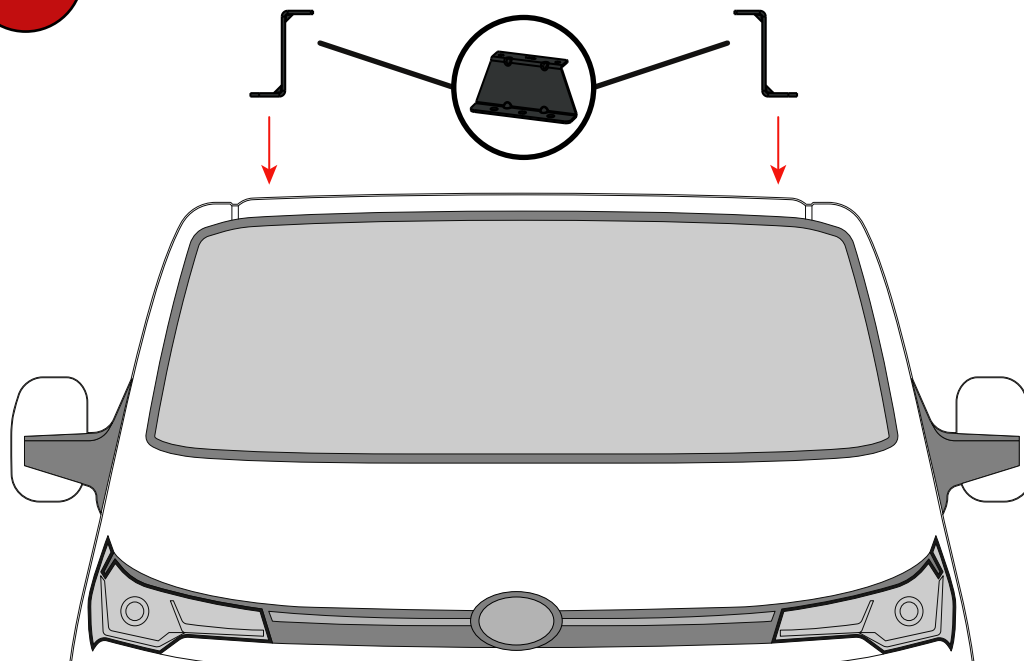
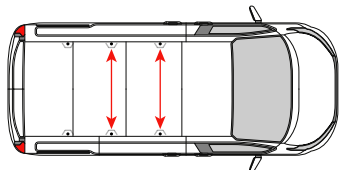
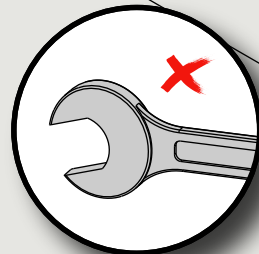
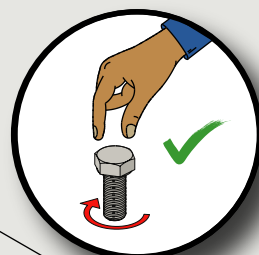
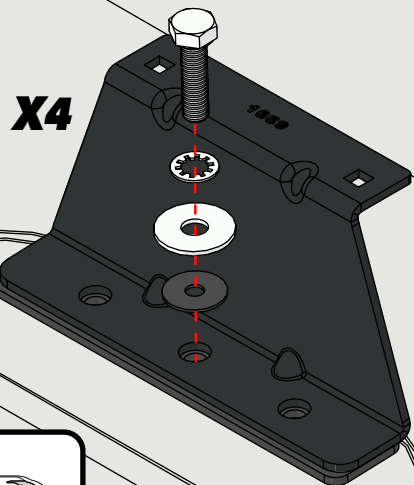
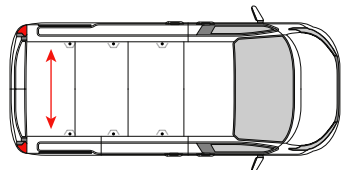
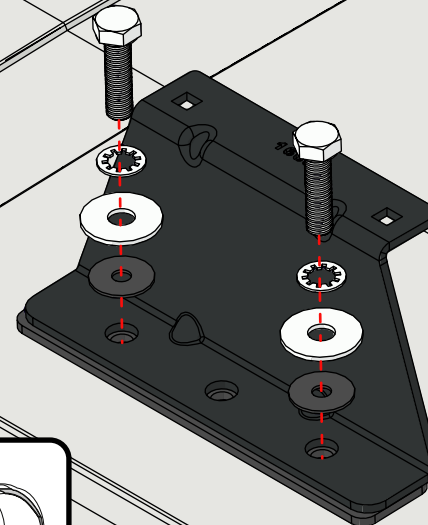
15



**16**

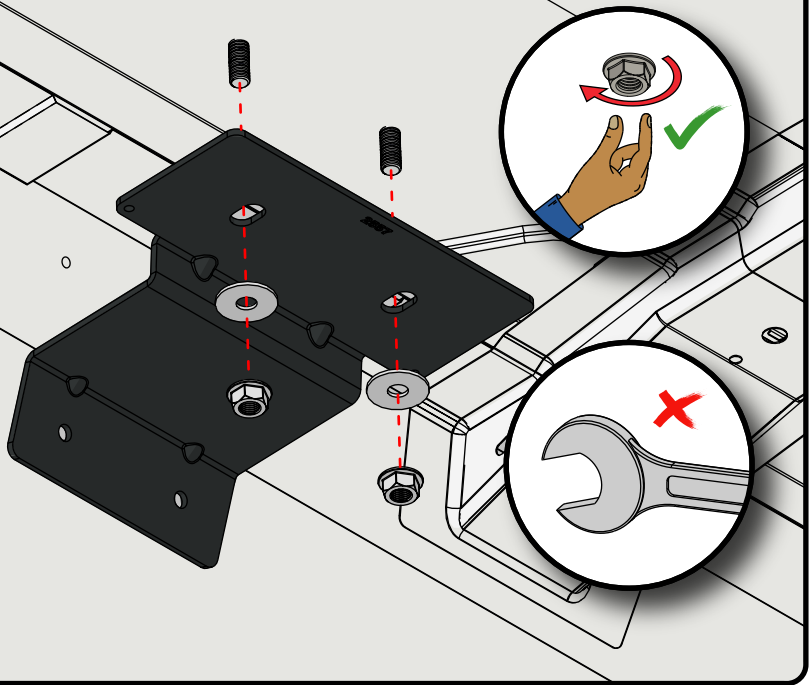
EN - STICK GASKETS TO ALL BRACKETS  
 DE - KLEBEN SIE DIE DICHTUNG AN ALLEN HALTERUNGEN  
 FR - COUSSINETS ADHÉSIFS À TOUS LES SUPPORTS  
 NL - PLAK PAKKING OP ALLE BEUGELS  
 ES - PEGA LAS ALMOHADILLAS A TODOS LOS SOPORTES  
 IT - ADESIVI GUARNIZIONI A TUTTE LE STAFFE

SV - FÄST GUMMI PÅ ALLA FÄSTEN  
 DA - KLÆB GUMMI PÅ ALLE BESLAG  
 NO - PLIST GUMMI PÅ ALLE BRAKKETER  
 PL - NAKLEJ USZCZELKI DO WSZYSTKICH WSPORNIKÓW  
 CS - PŘILEPTE TĚSNĚNÍ NA VŠECHNY DRŽÁKY

**17****18****19**

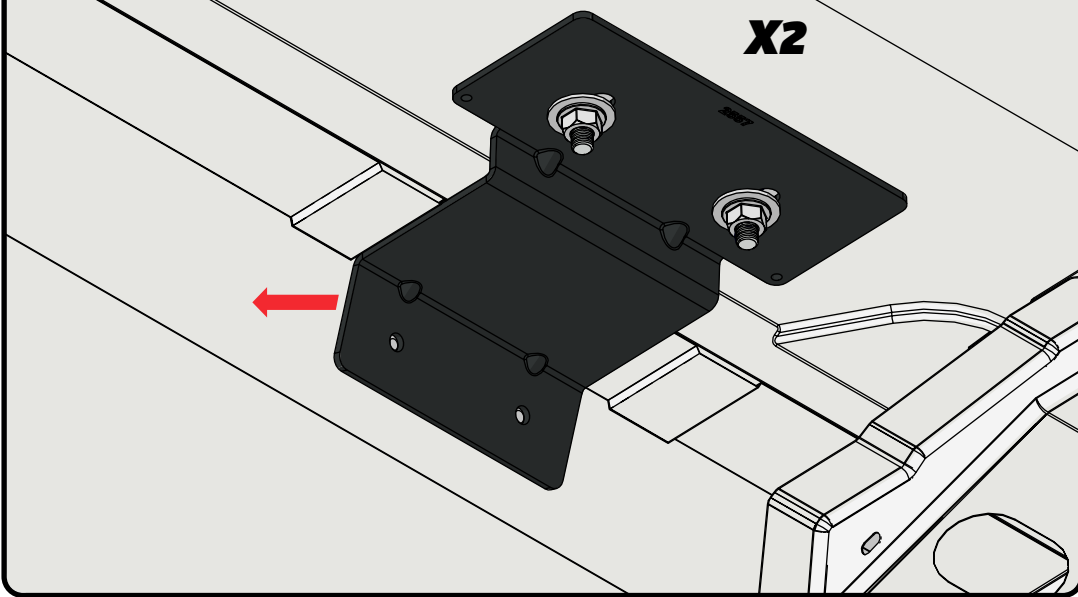
20

X2



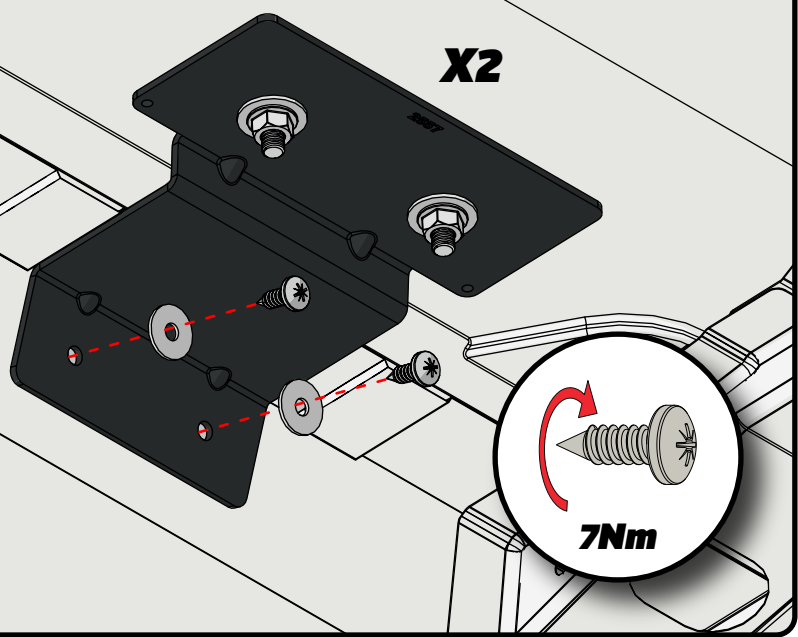
21

X2



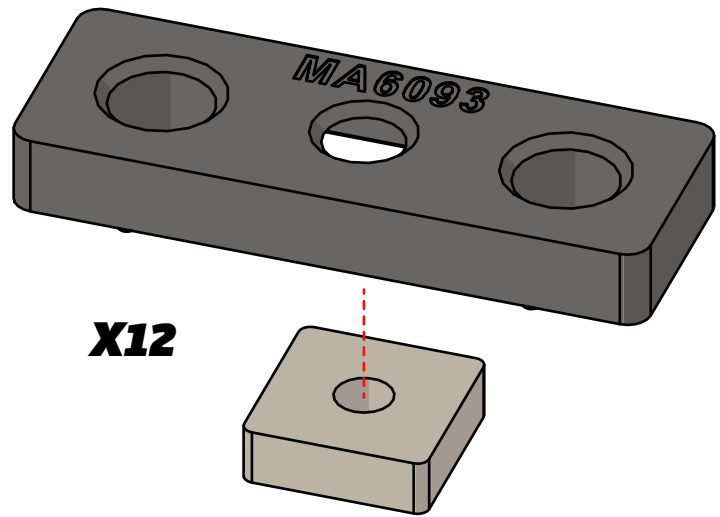
22

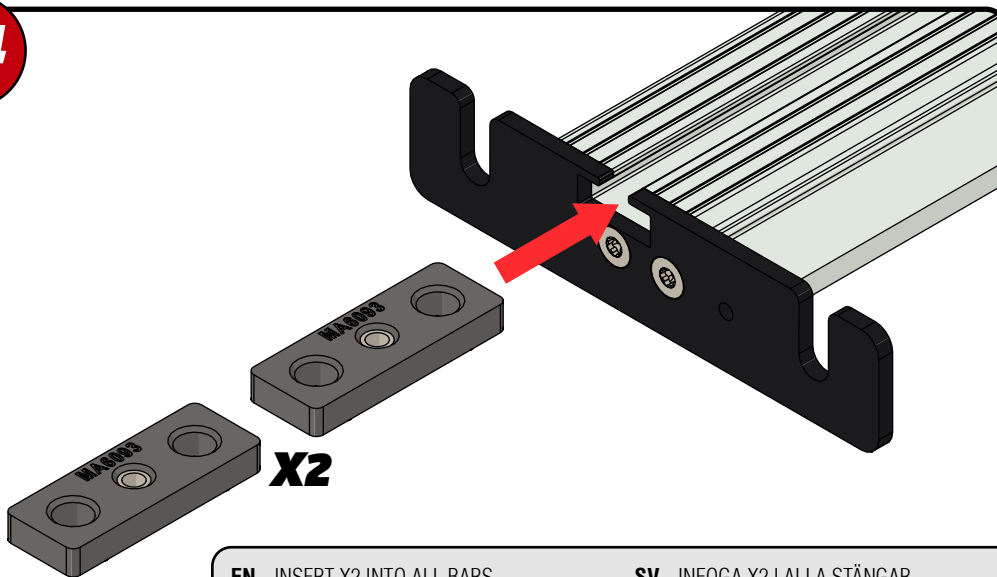
X2



23

X12



**24**

EN - INSERT X2 INTO ALL BARS

DE - X2 IN ALLE STANGEN EINFÜGEN

FR - INSÉRER X2 DANS TOUTES LES BARRES

NL - PLAATS X2 IN ALLE BARS

ES - INSERTAR X2 EN TODAS LAS BARRAS

IT - INSERIRE X2 IN TUTTE LE BARRE

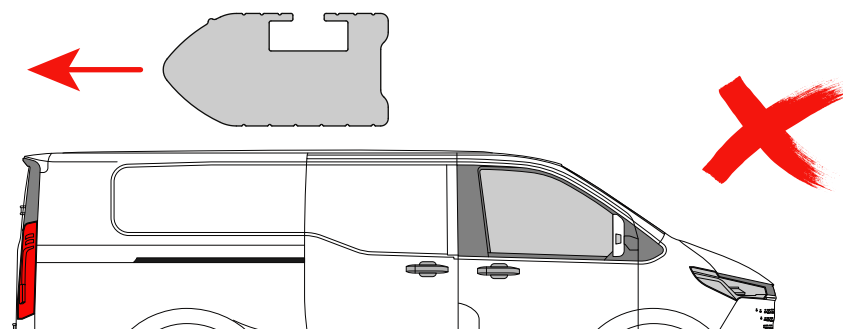
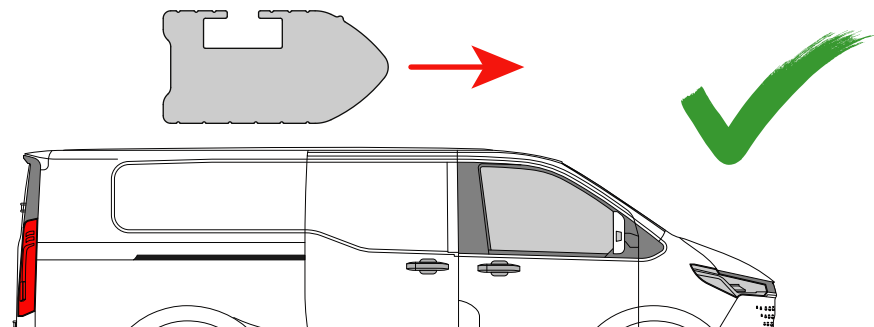
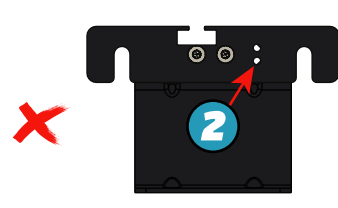
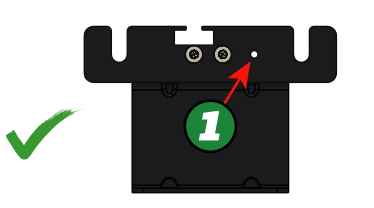
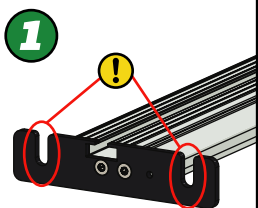
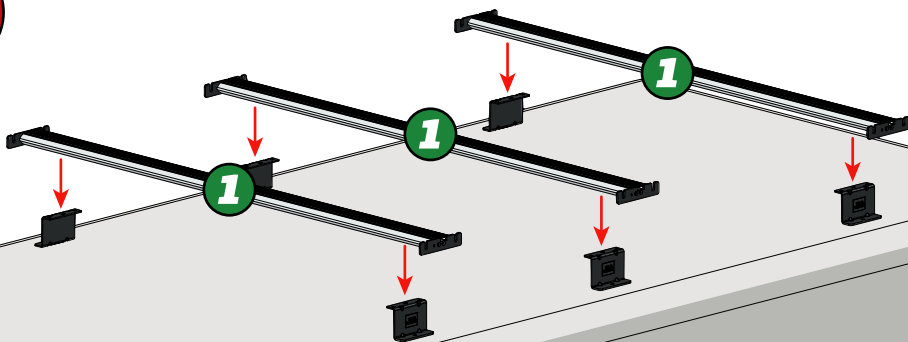
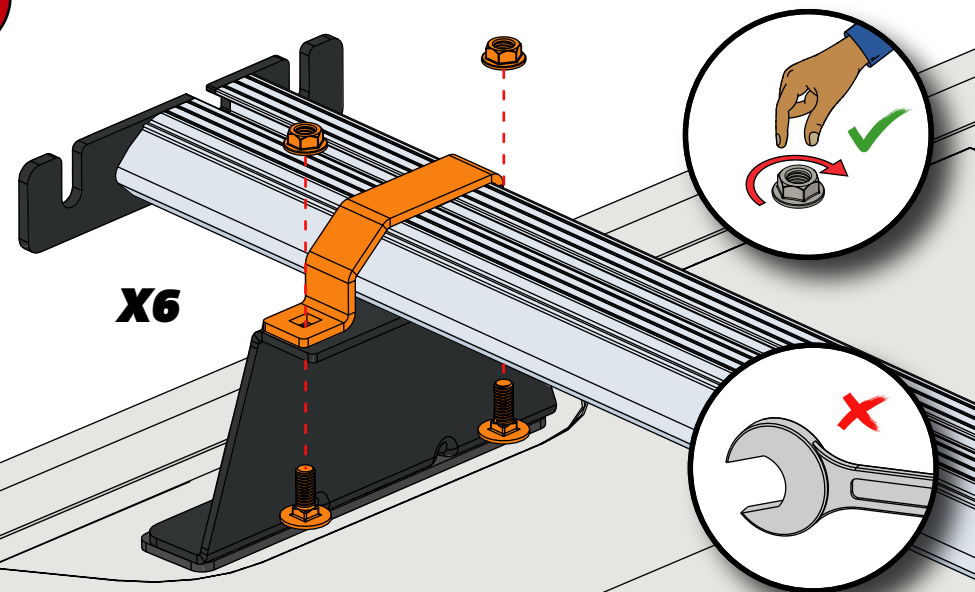
SV - INFOGA X2 I ALLA STÄNGAR

DA - INDSÆT X2 I ALLE STÆNGER

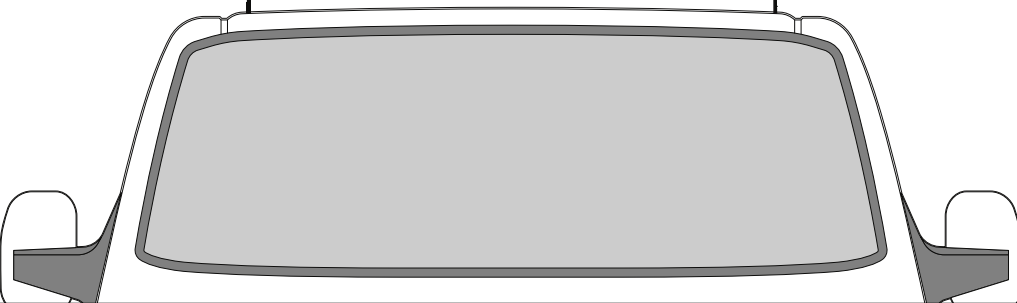
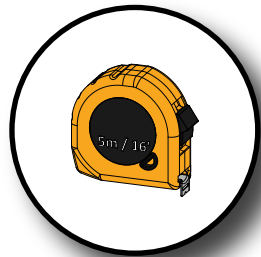
NO - SETT X2 INN I ALLE TAKSTENGER

PL - WSTAW X2 DO WSZYSTKICH PRĘTÓW

CS - VLOŽTE X2 DO VŠECH TYČÍ

**25****26****27**

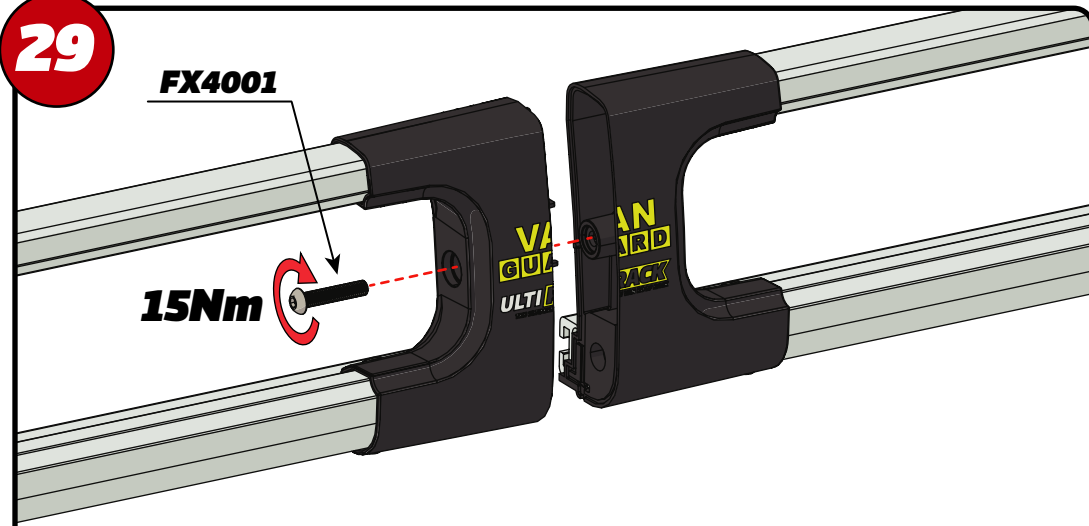
28



29

FX4001

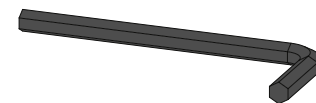
15Nm



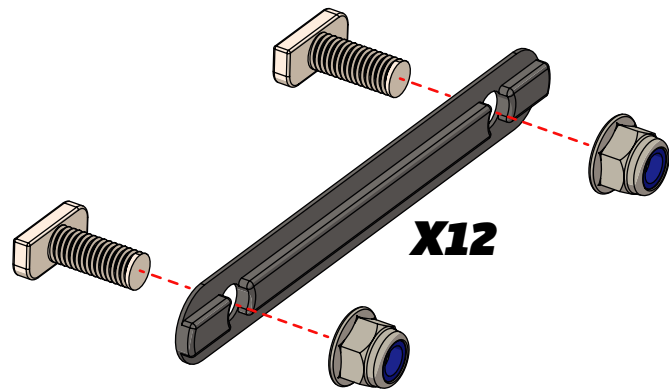
X2



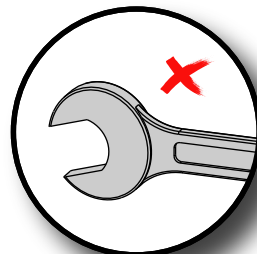
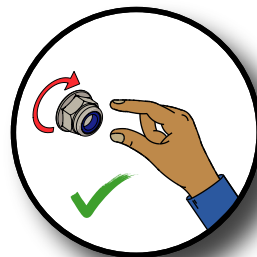
FX4008



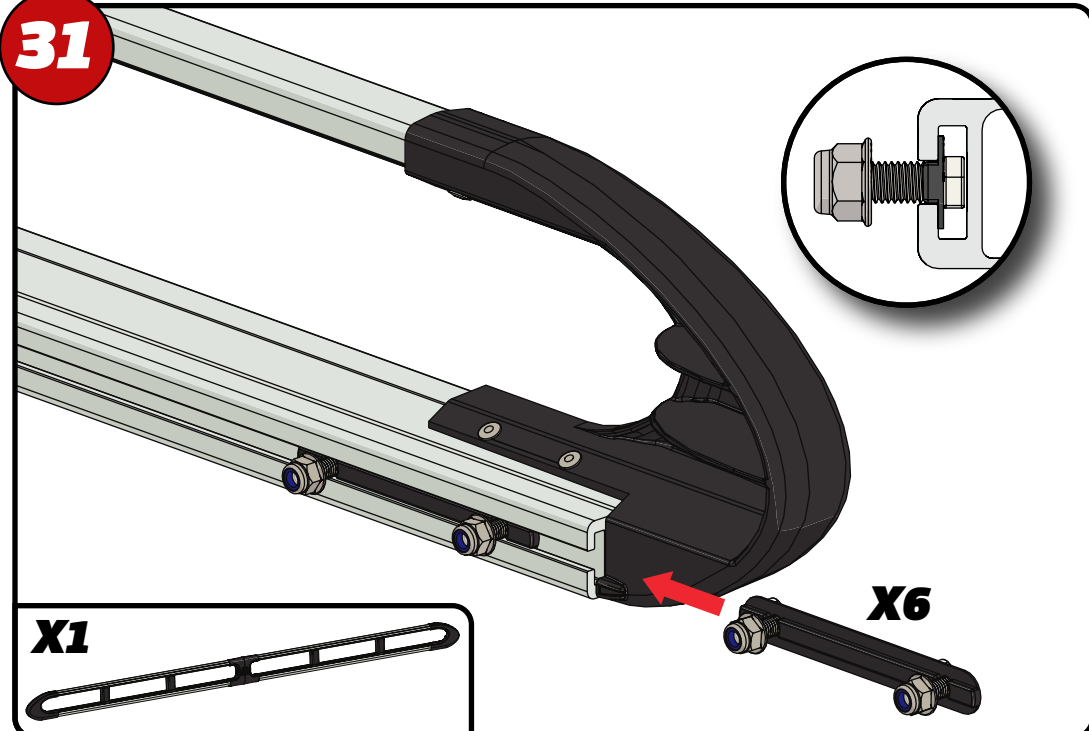
30



X12



31

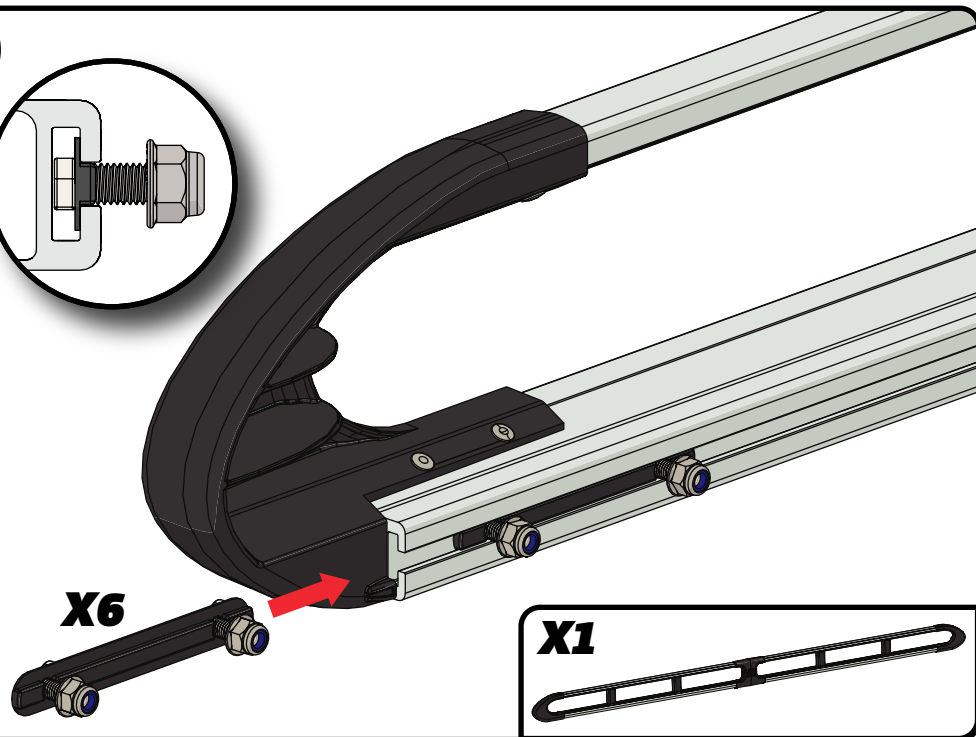
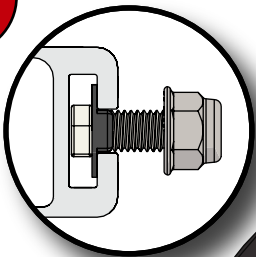


X6

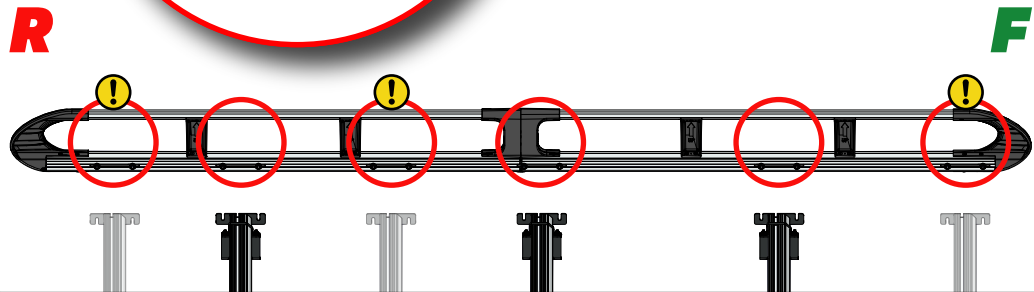
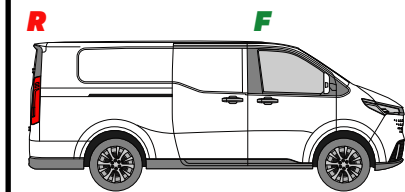
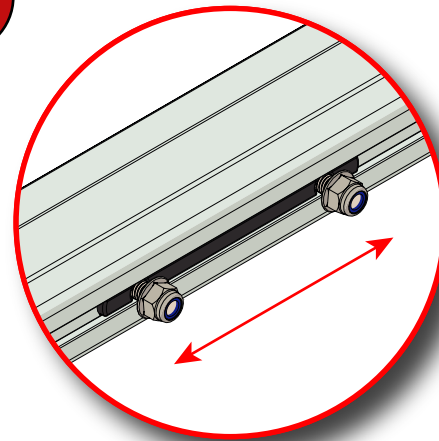
X1



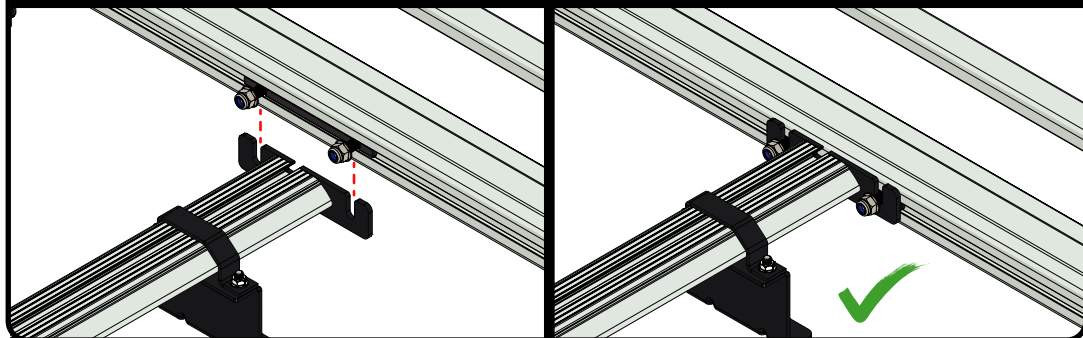
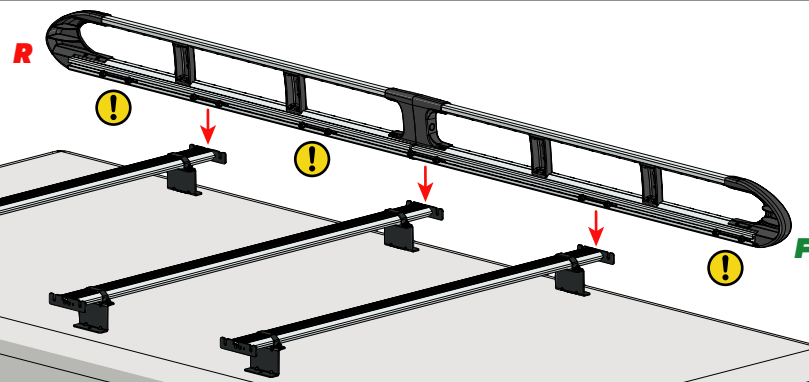
32



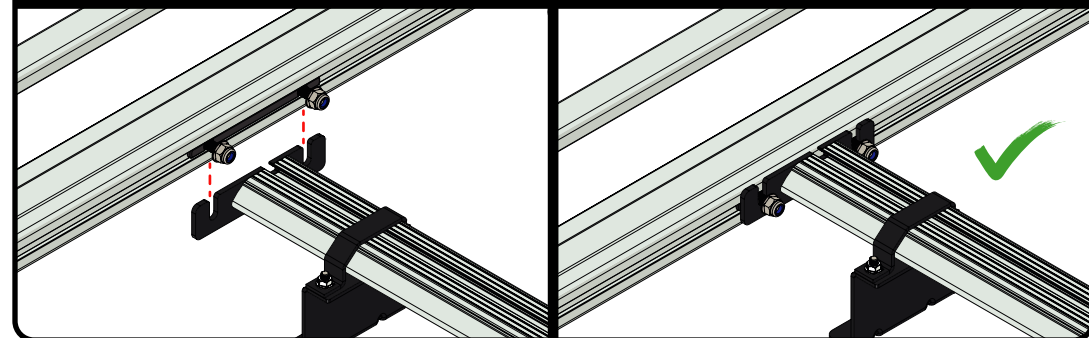
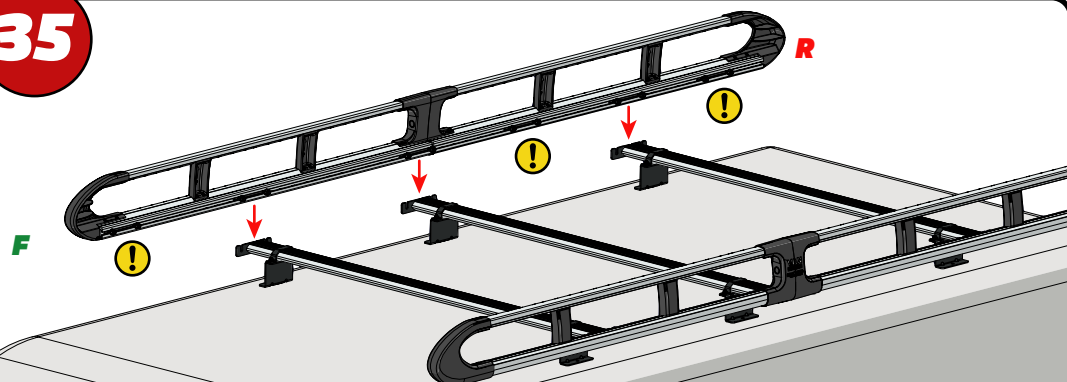
33



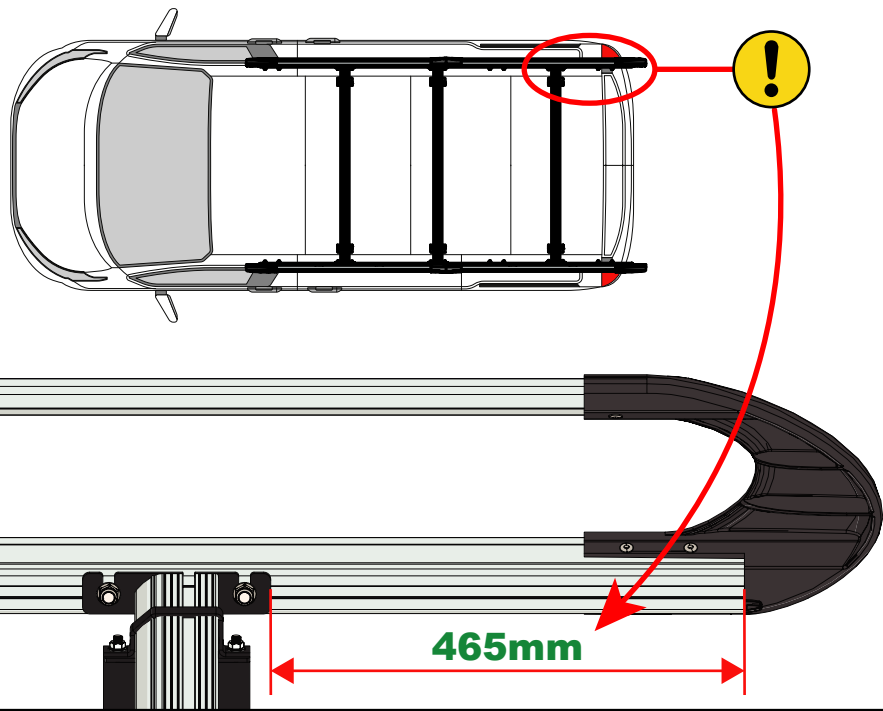
34



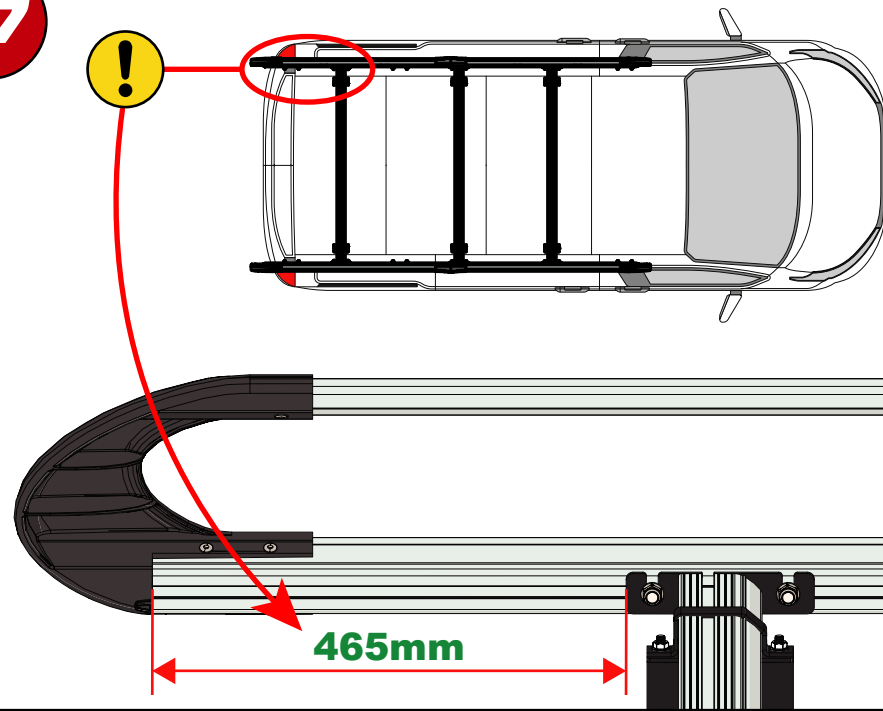
35



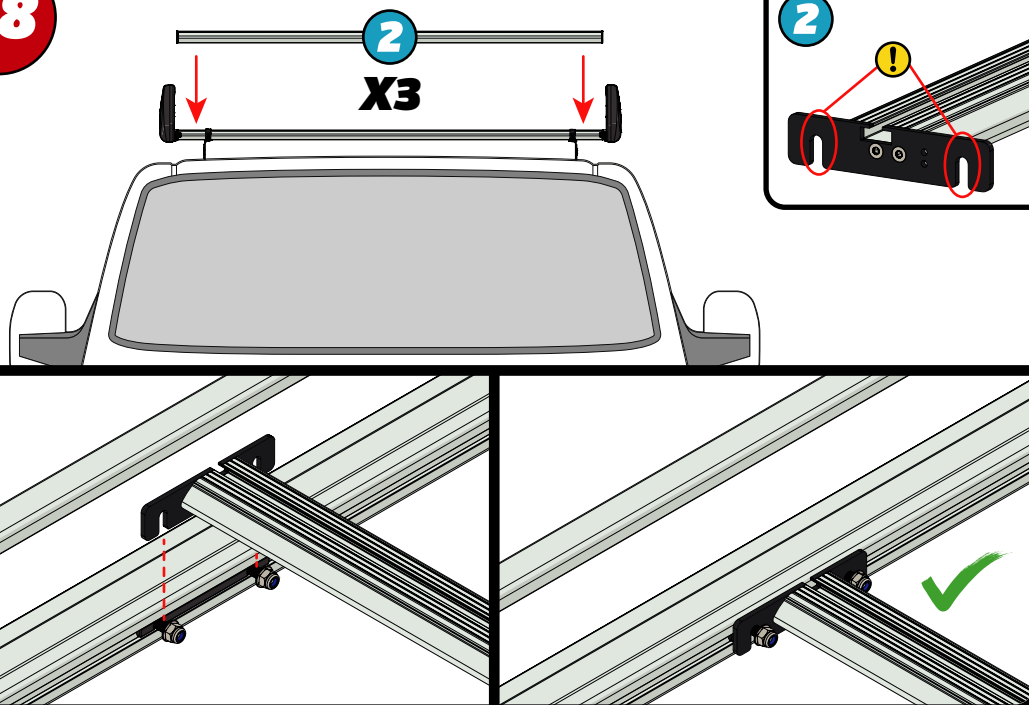
36



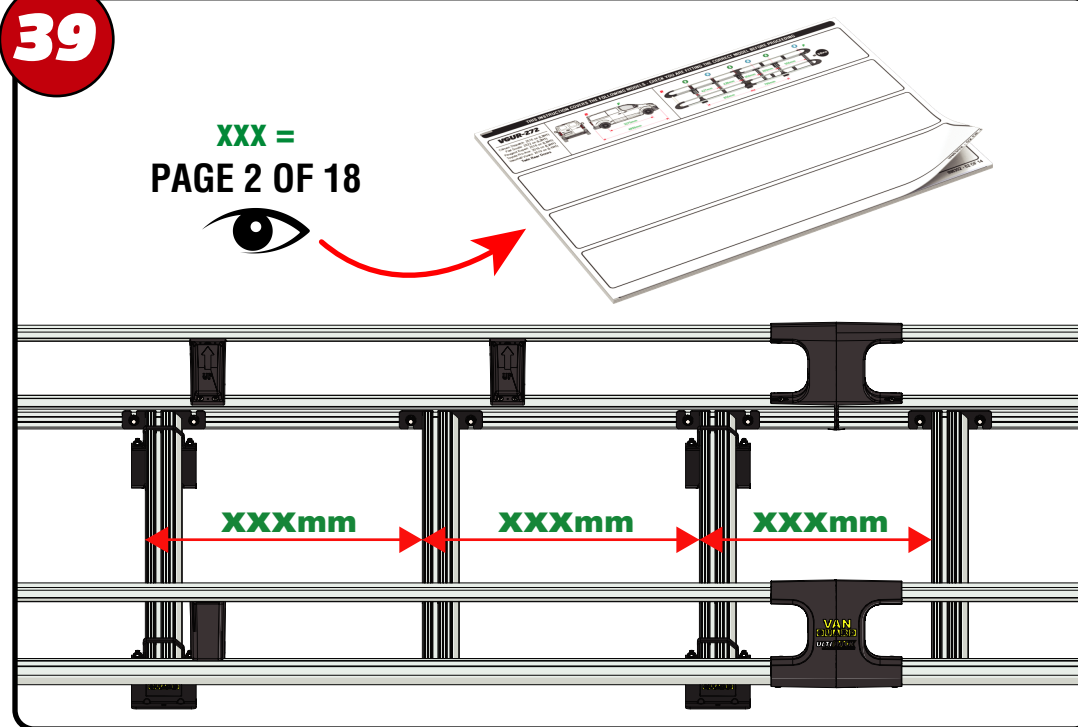
37

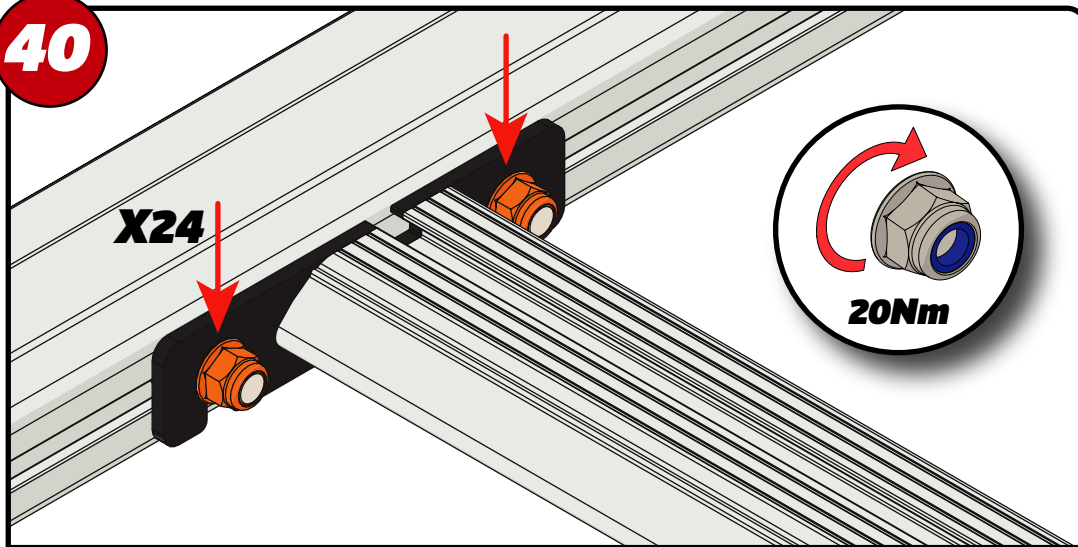


38



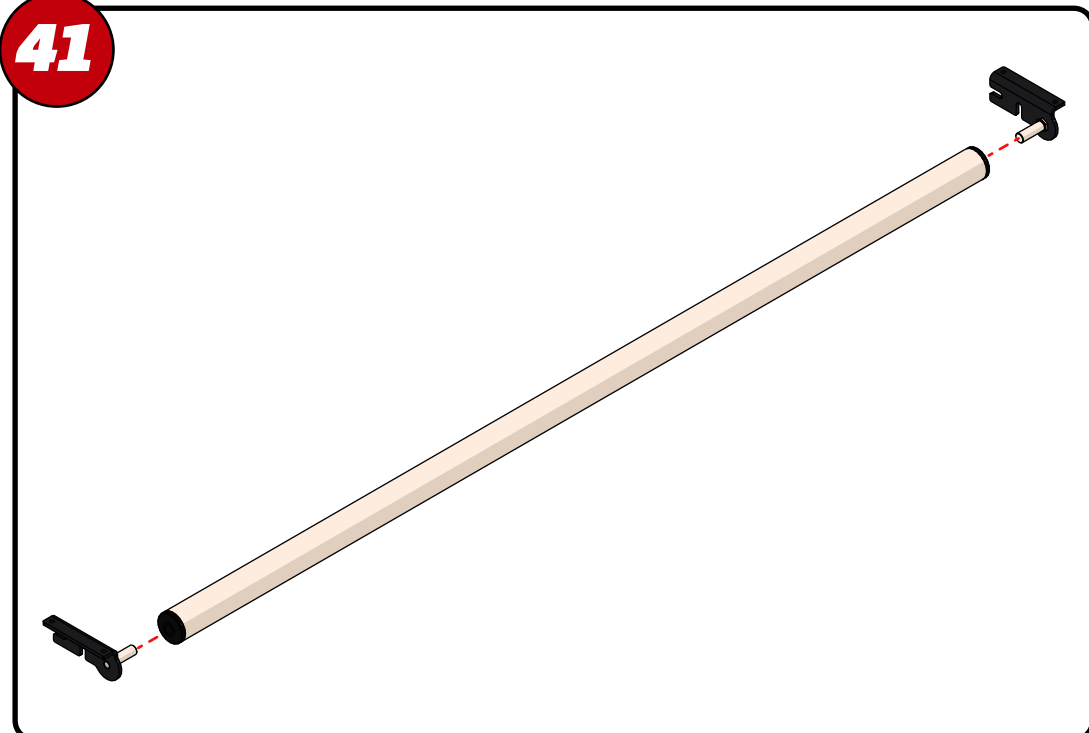
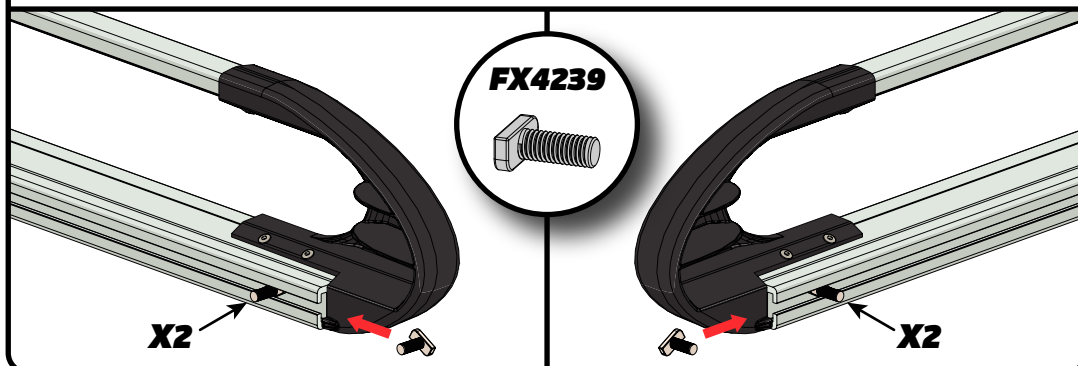
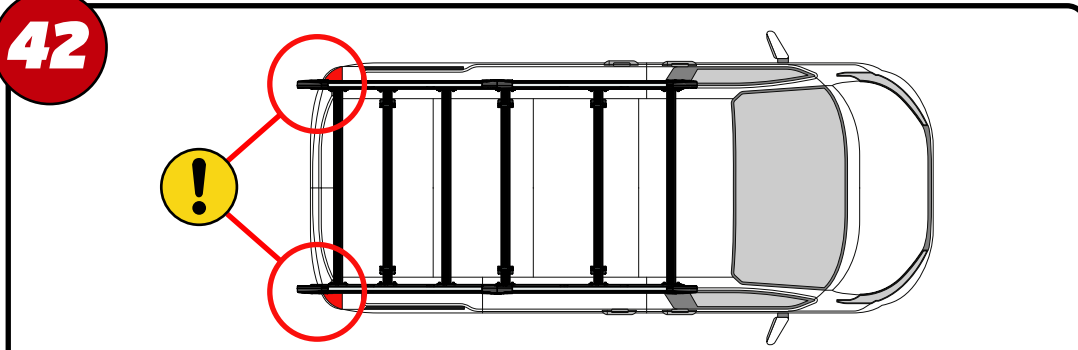
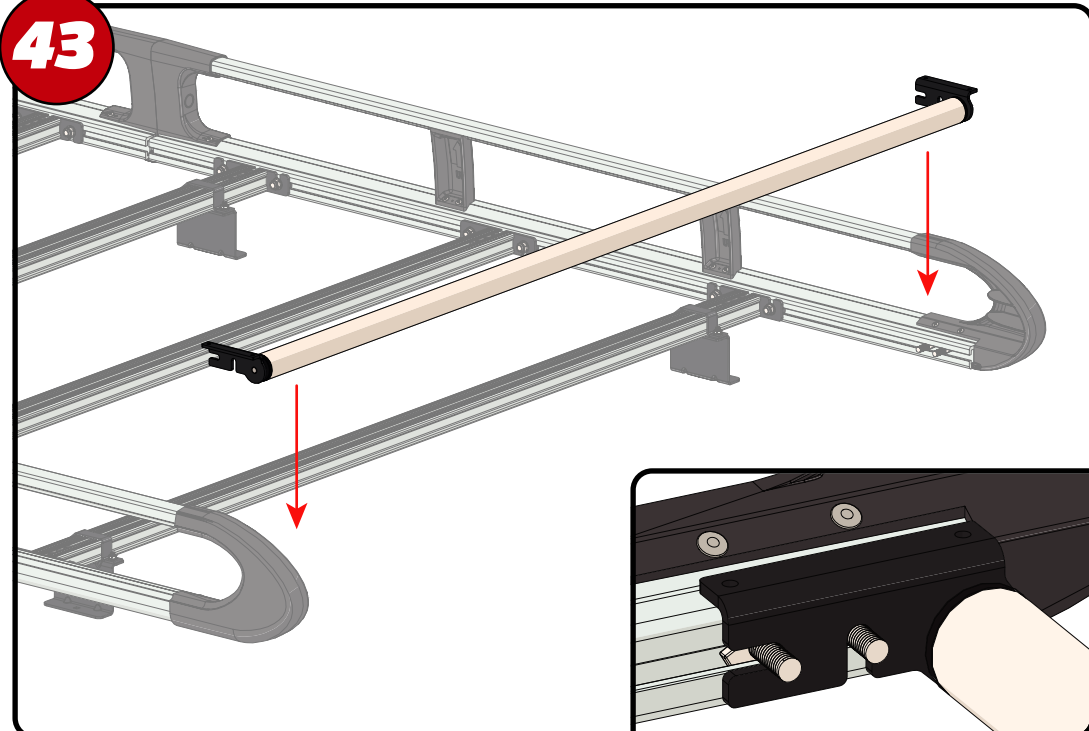
39



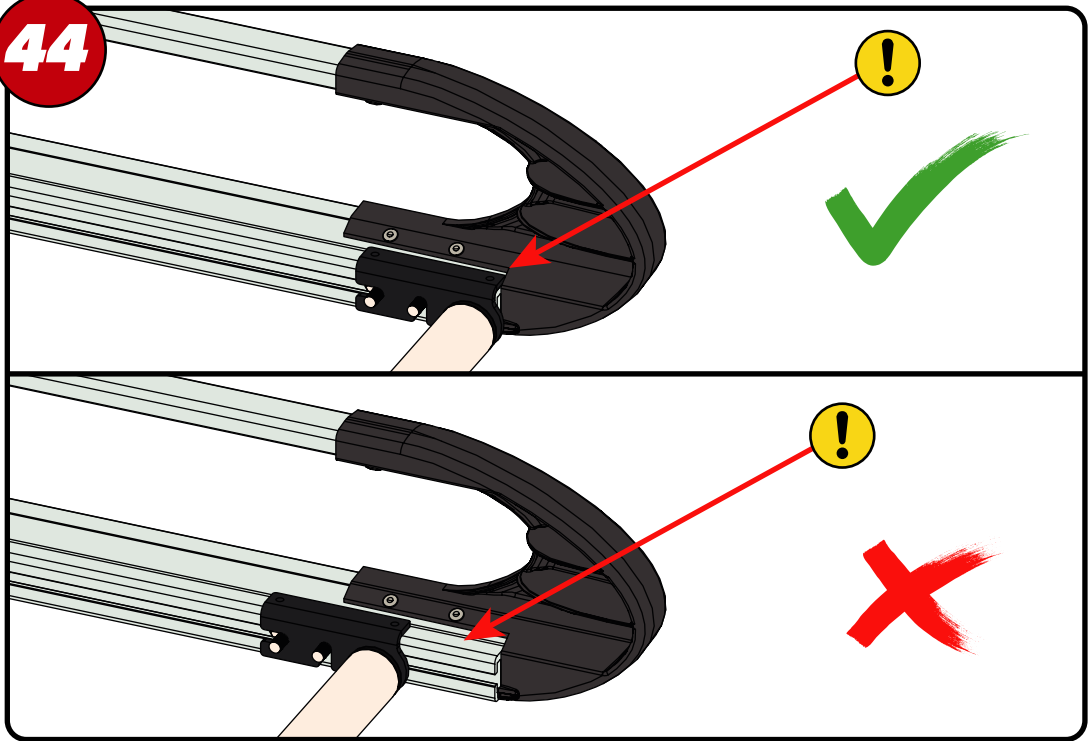
**40****X24****20Nm**

EN - TIGHTEN ALL OF THE CROSS BARS  
 DE - ALLE QUERSTANGEN FESTZIEHEN  
 FR - SERREZ TOUTES LES BARRES TRANSVERSALES  
 NL - DRAAI ALLE DWARSBALK VAN HET DAK AAN  
 ES - APRIETE TODAS LAS BARRAS TRANSVERSALES  
 IT - STRINGERE TUTTE LE BARRE TRASVERSALI

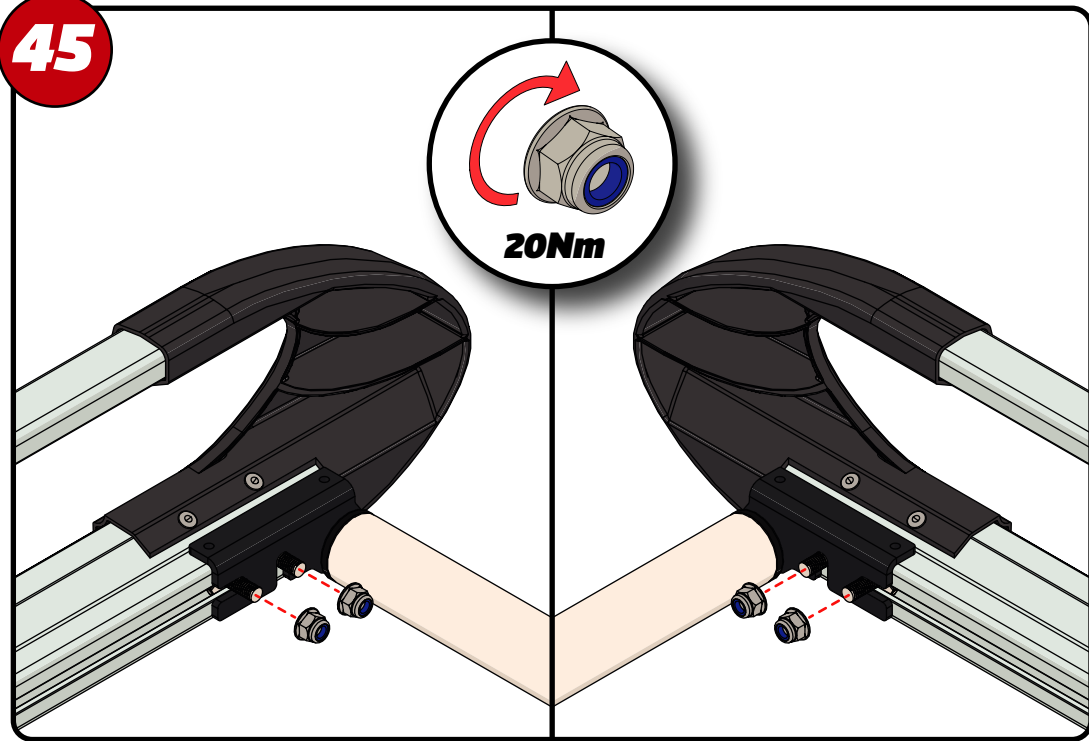
SV - SKRU UPP ALLA KORSSTANGAR  
 DA - SKRU ALLE TAGBØJLER OP  
 NO - SKRU OPP ALLE TVERRSTENGER  
 PL - DOKRĘCIĆ WSZYSTKIE POPRZECZKI  
 CS - VŠECHNY PRÍČNÉ TYČE SEŠROUJTE

**41****42****X2****X2****FX4239****43**

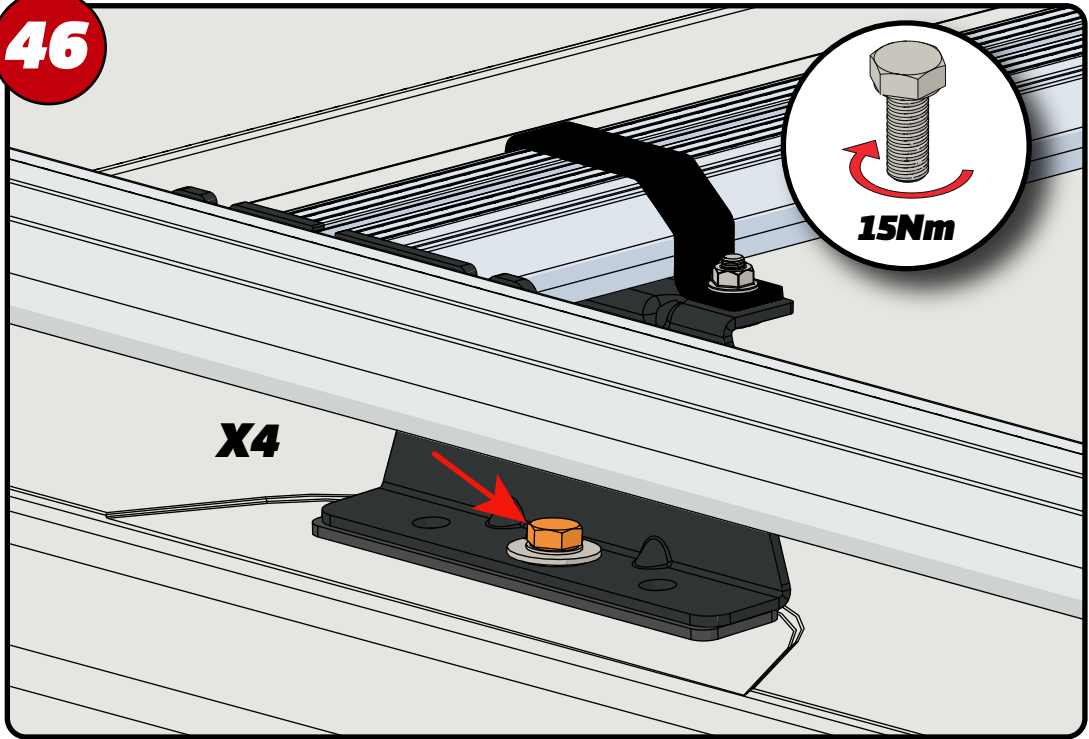
**44**



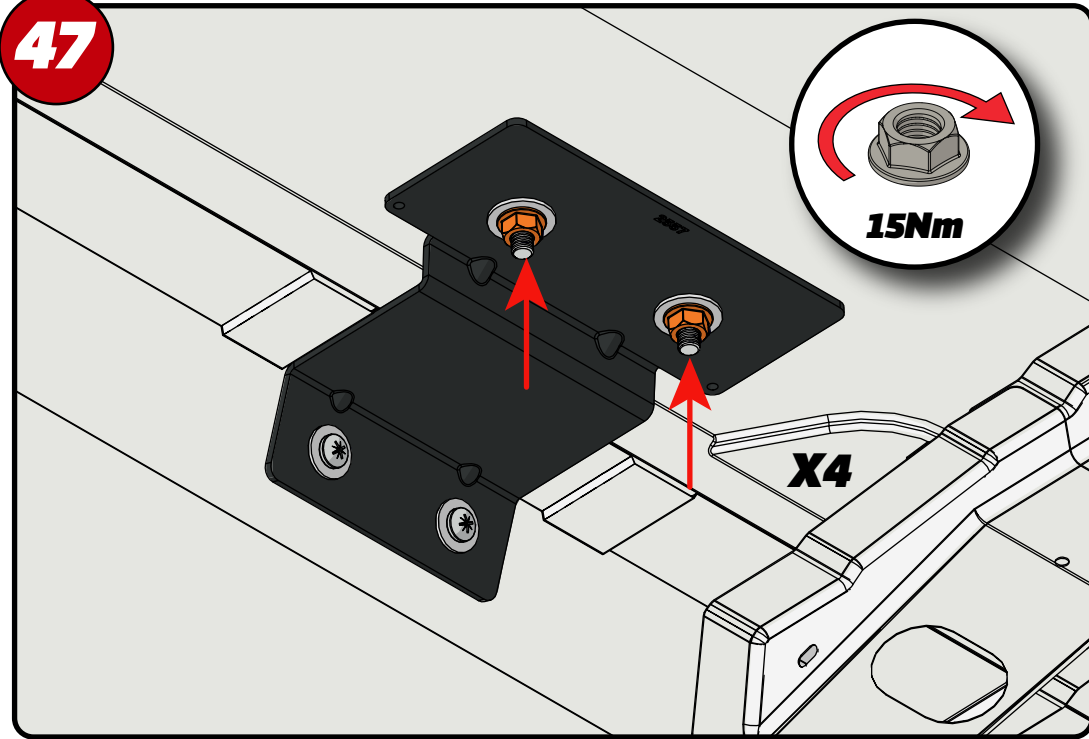
**45**



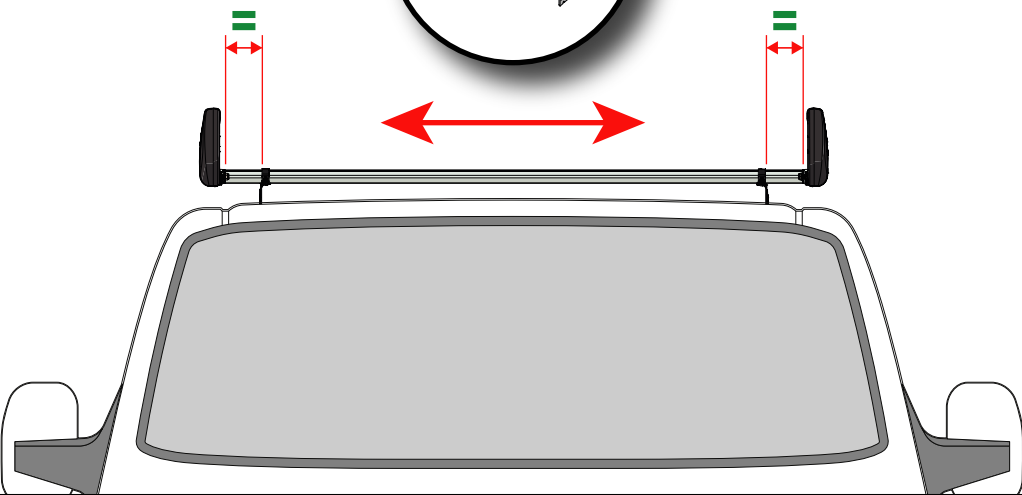
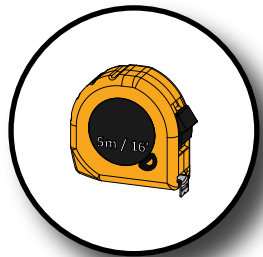
**46**



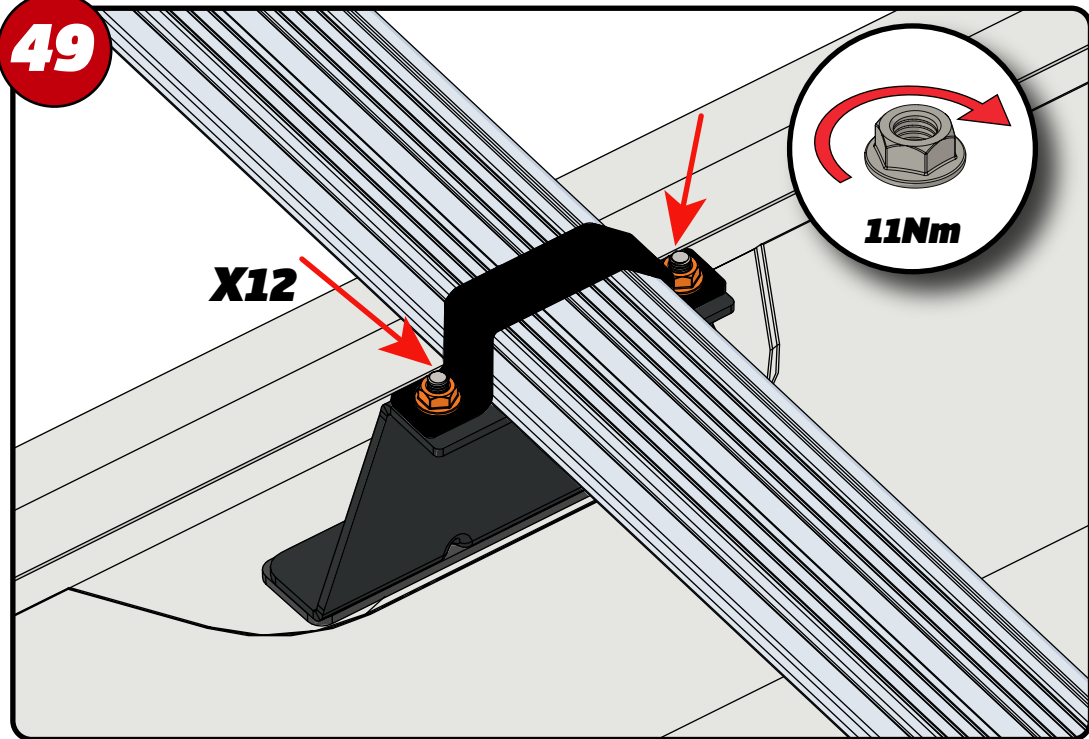
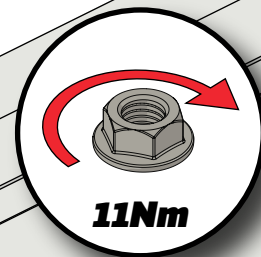
**47**



48



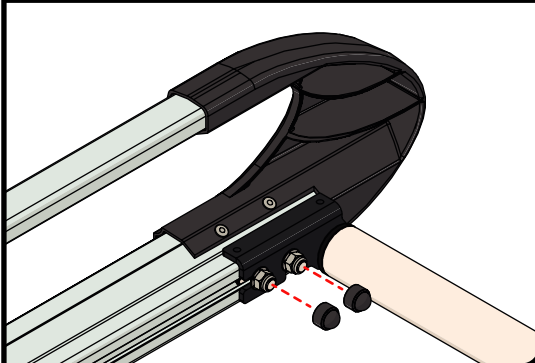
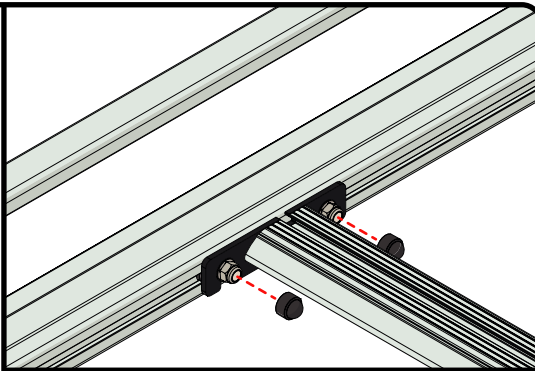
49



50



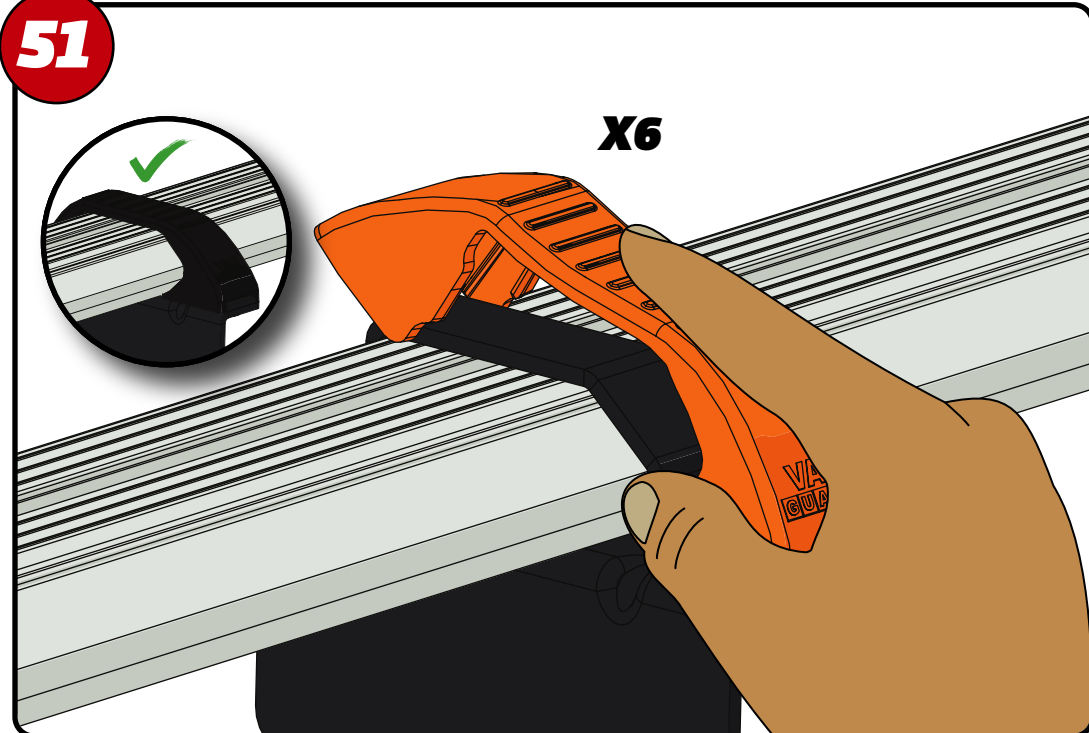
X28



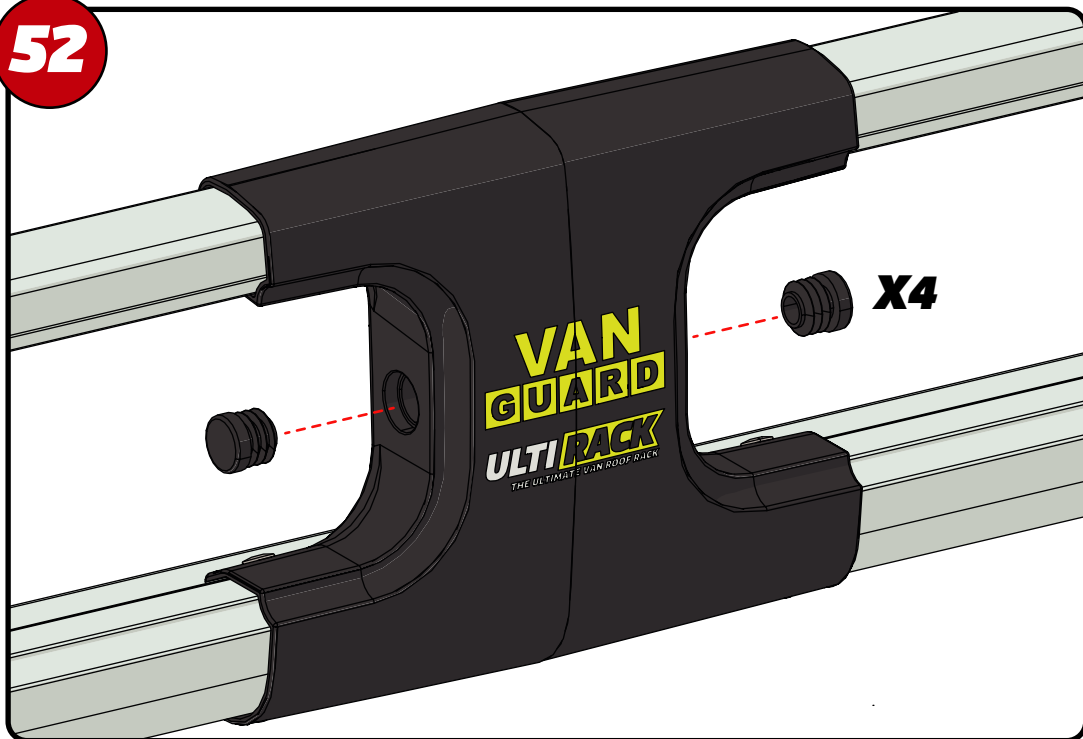
51



X6



52



53

