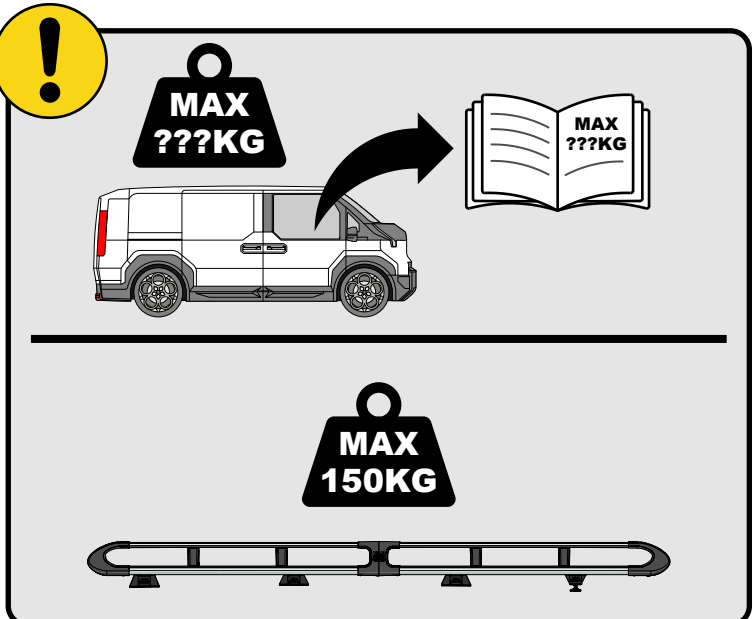
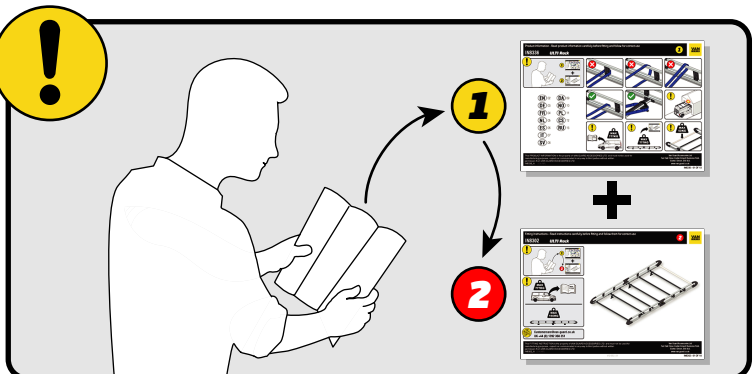


IN8535

ULTI Rack+



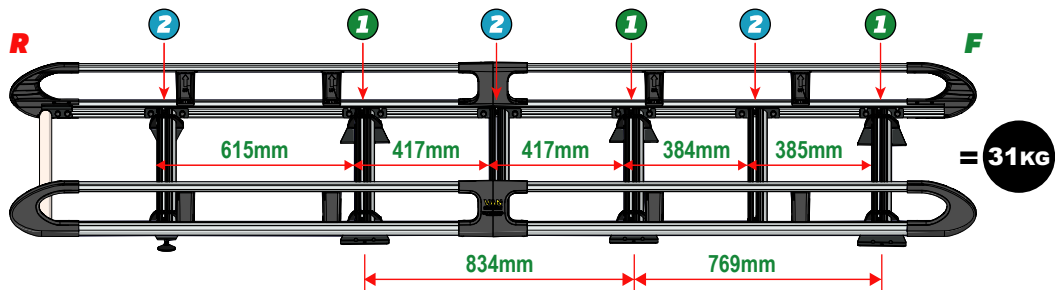
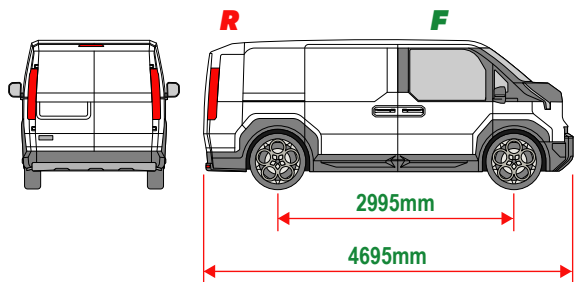
Customercare@van-guard.co.uk
UK +44 (0) 1392 368 351



THIS INSTRUCTION COVERS THE FOLLOWING MODELS - CHECK YOU ARE FITTING THE CORRECT MODEL BEFORE PROCEEDING

VGUR-323

Kia PV5: 2025 on
L2H1
Twin Rear Doors



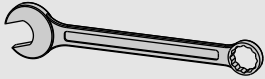
SUPPLIED COMPONENTS - CHECK ALL PARTS ARE PRESENT AND CORRECT BEFORE PROCEEDING (1 OF 2)

TOOLS REQUIRED

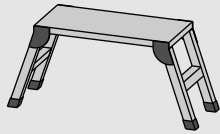
10MM X1



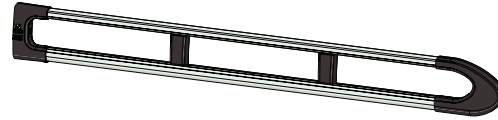
13MM X2



T40 TORX



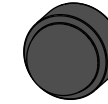
AS3539 X2
(2800 / A)



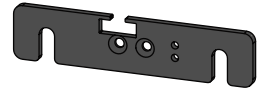
MA6118 X12



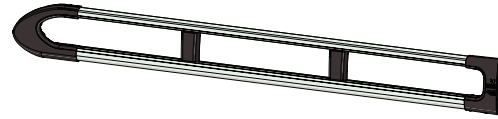
FX4241 X28



ME1622 X3



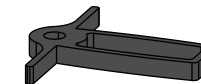
AS3538 X2
(2800 / B)



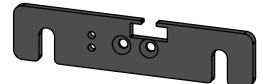
FX4008 X1



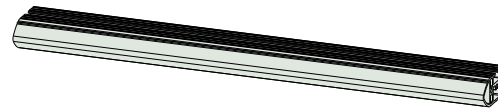
MA6145 X1



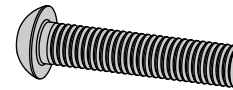
ME1623 X3



ME1627 X6
(1354mm)



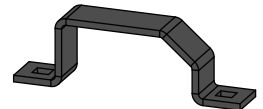
FX4001 X2
(M8X40)



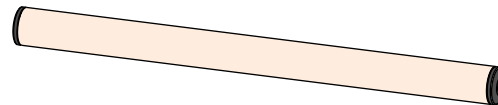
FX4235 X24
(M5X25)



ME0203 X8



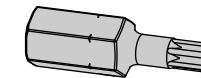
AS3159 X1
(1340mm)



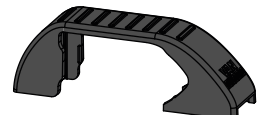
MA6007 X4



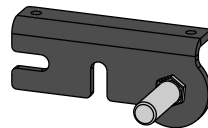
FX4248 X1
(T25)



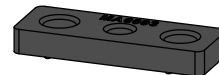
MA6065 X8



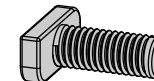
AS3590 X1



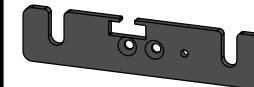
MA6093 X12



FX4239 X28
(M8X20)



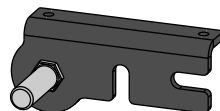
ME1620 X3



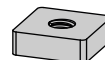
FX4016 X16
(M6)



AS3591 X1



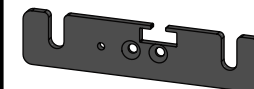
ME0316 X12



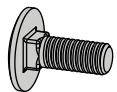
FX4240 X28
(M8)



ME1621 X3

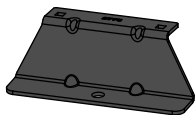


FX4042 X16
(M6X16)



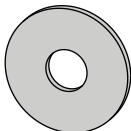
SUPPLIED COMPONENTS - CHECK ALL PARTS ARE PRESENT AND CORRECT BEFORE PROCEEDING (2 OF 2)

ME2775 X2



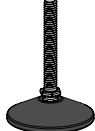
FX4040 X6

(M8)

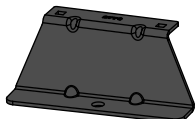


MA6060 X2

(M8)



ME2776 X1

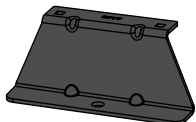


FX4019 X10

(M8)

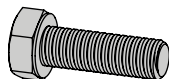


ME2777 X1

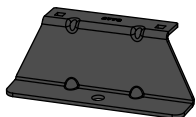


FX4028 X6

(M8x25)



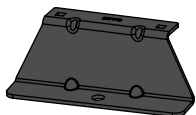
ME2778 X1



MA6136 X6



ME2779 X1



ME2545 X2



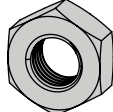
FX4014 X6

(RUBBER)



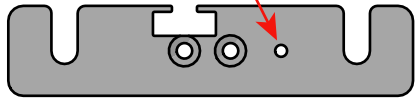
FX4072 X4

(M8)



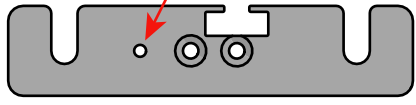
01

1L



X3

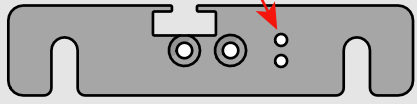
1R



X3

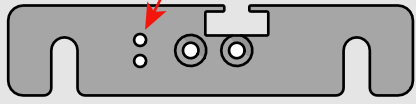


2L



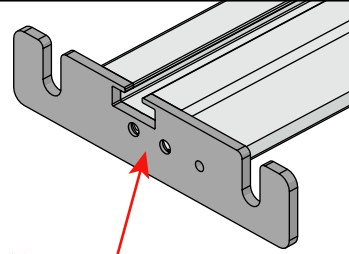
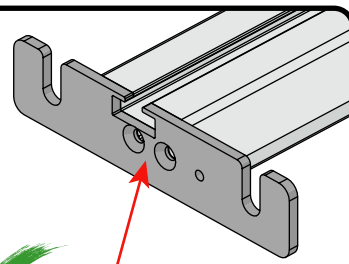
X3

2R



X3

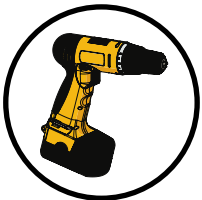
02



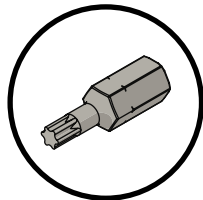
03

01

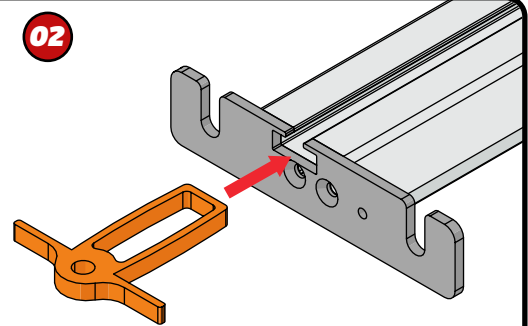
FX4248



+



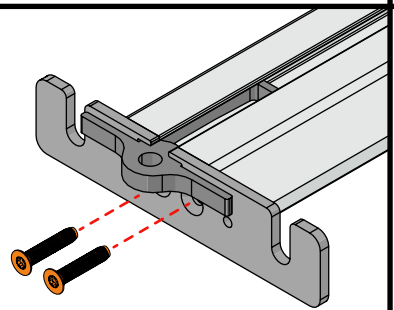
02



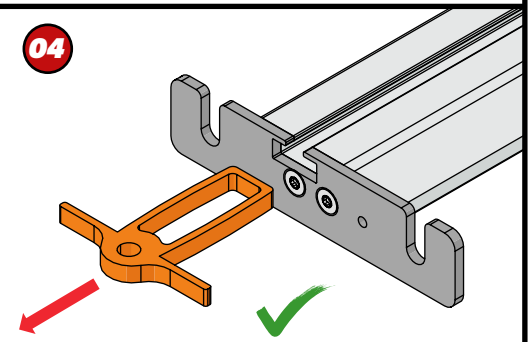
03



11Nm



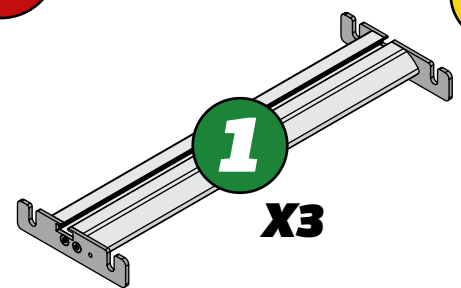
04



04

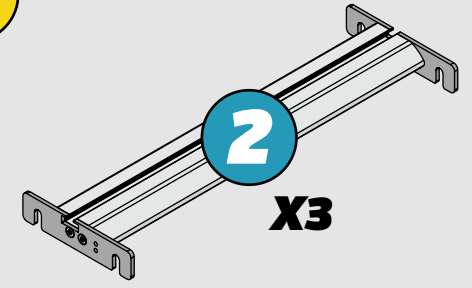


1

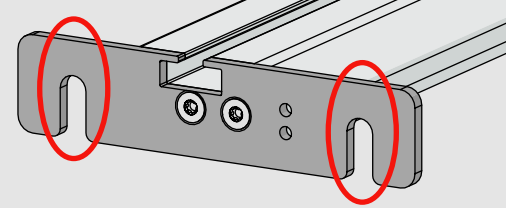
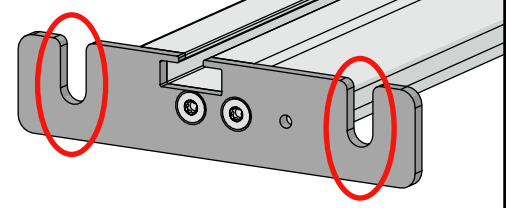


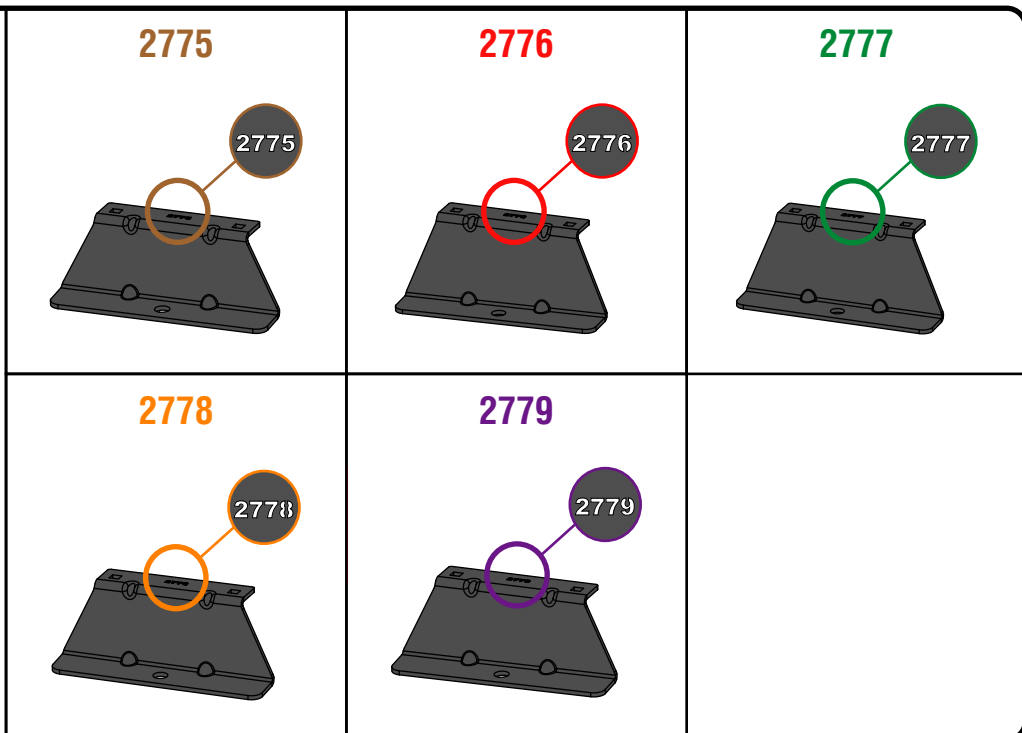
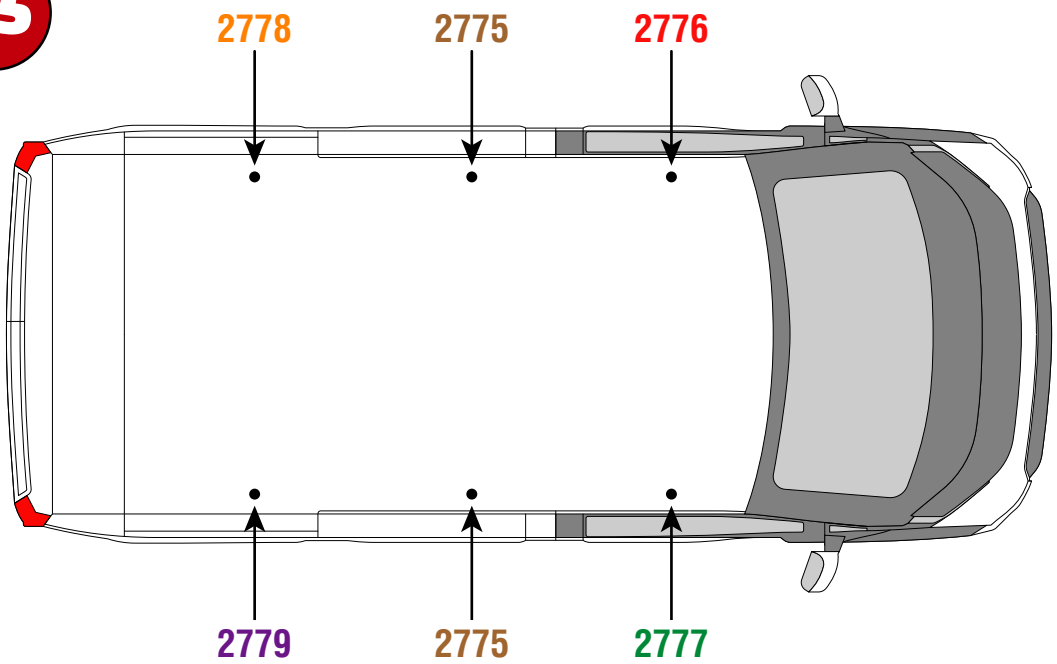
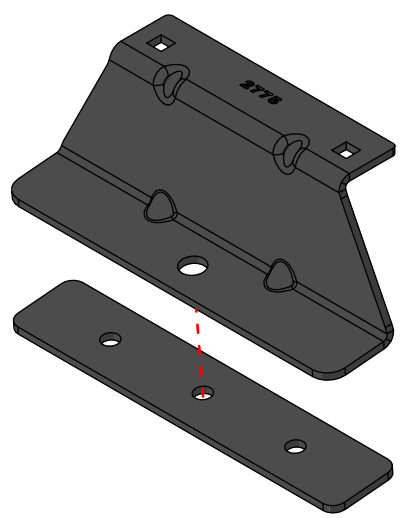
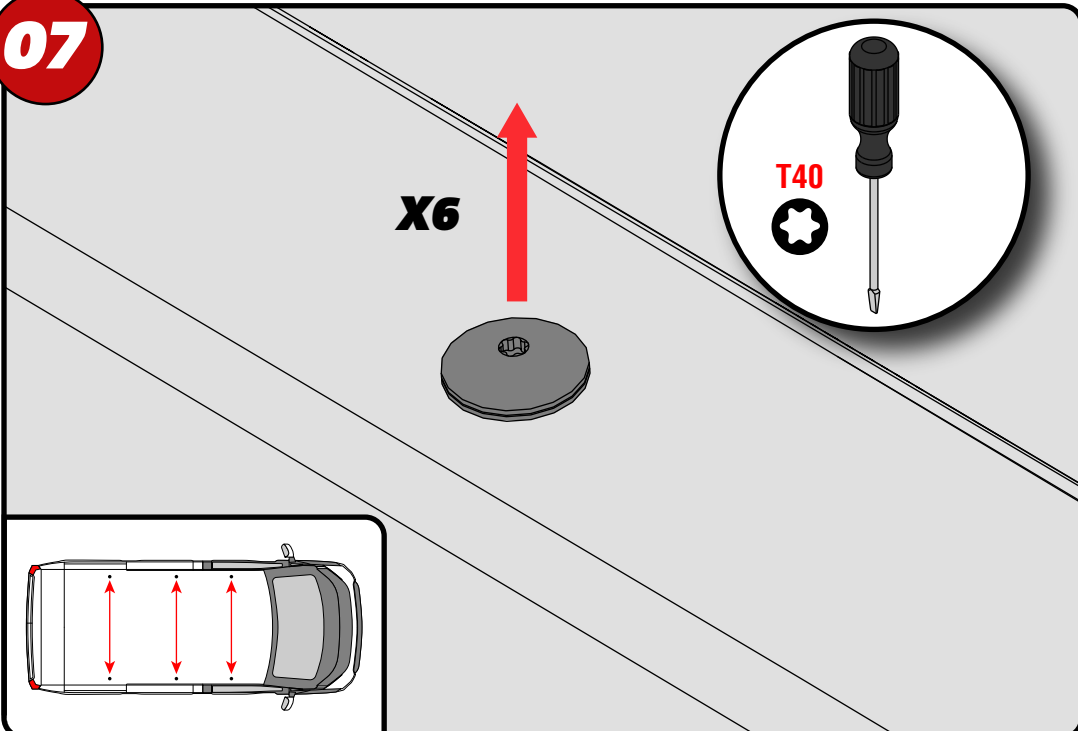
X3

2

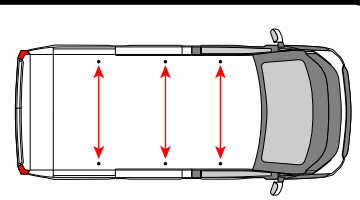


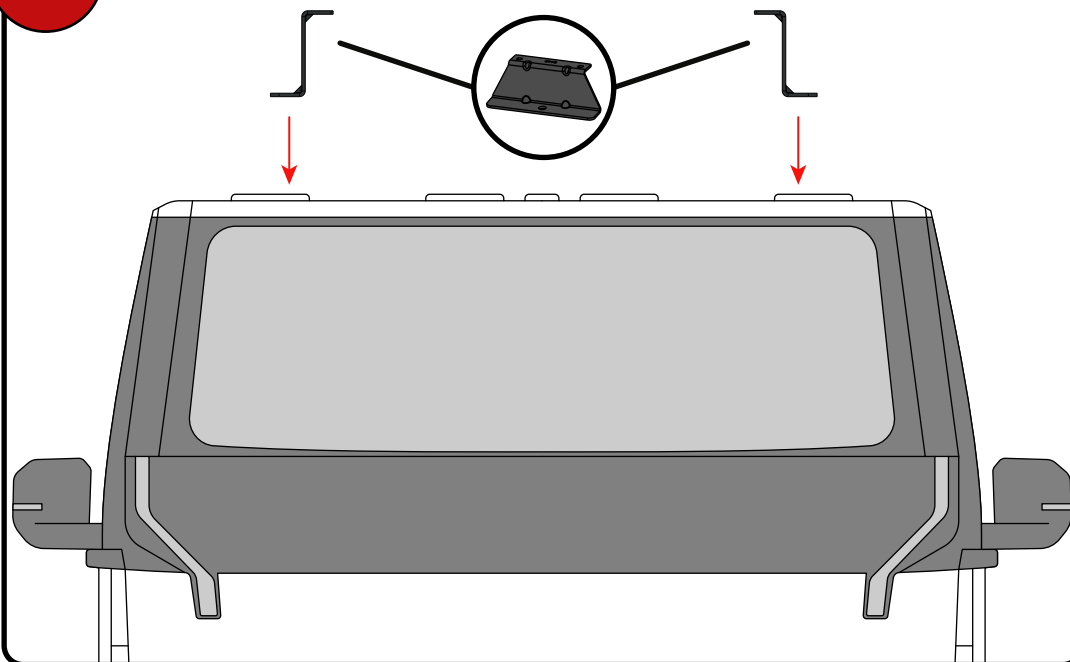
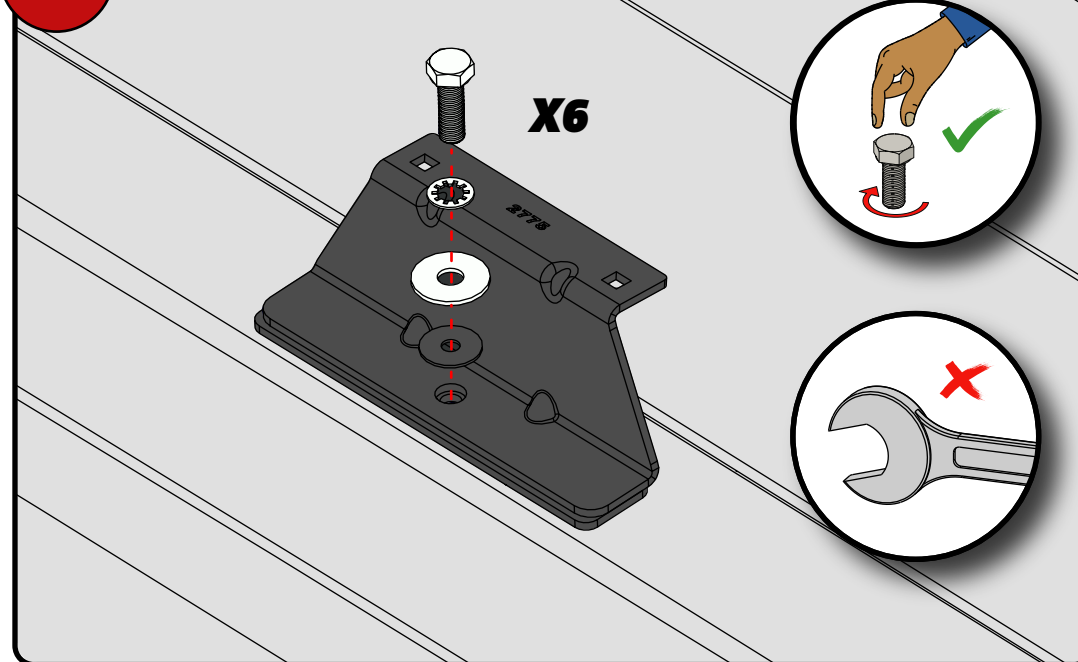
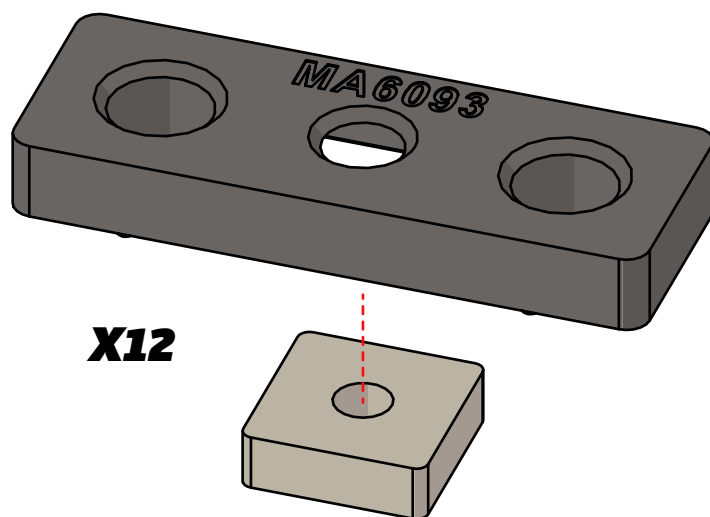
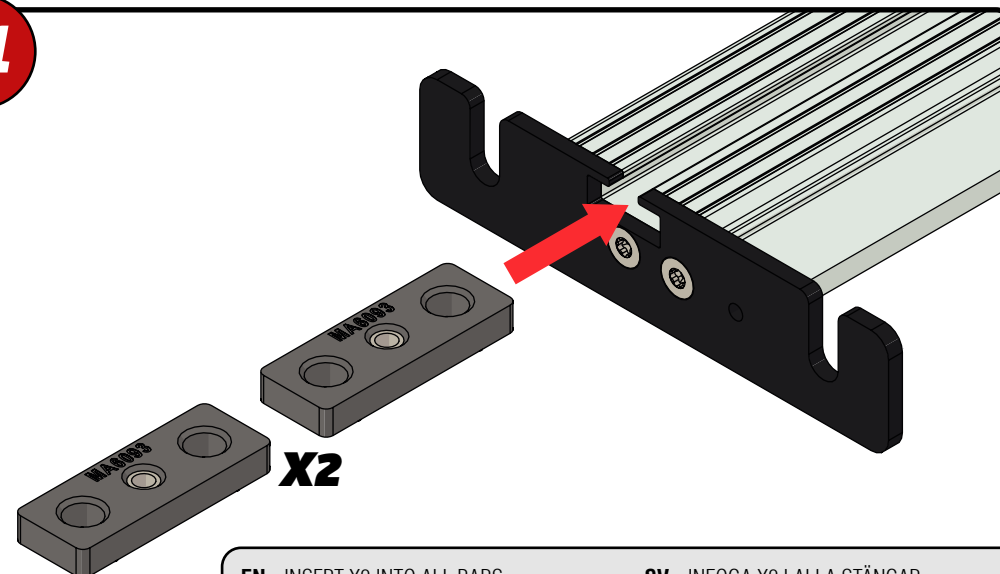
X3



05**06****07**

- | | |
|--|---|
| EN - STICK GASKETS TO ALL BRACKETS | SV - FÄST GUMMI PÅ ALLA FÄSTEN |
| DE - KLEBEN SIE DIE DICHTUNG AN ALLEN HALTERUNGEN | DA - KLÆB GUMMI PÅ ALLE BESLAG |
| FR - COUSSINETS ADHÉSIFS À TOUS LES SUPPORTS | NO - PLIST GUMMI PÅ ALLE BRACKETTER |
| NL - PLAK PAKKING OP ALLE BEUGELS | PL - NAKLEJ USZCZELKI DO WSZYSTKICH WSPORNIKÓW |
| ES - PEGA LAS ALMOHADILLAS A TODOS LOS SOPORTES | CS - PŘILEPTE TĚSNĚNÍ NA VŠECHNY DRŽÁKY |
| IT - ADESIVI GUARNIZIONI A TUTTE LE STAFFE | |

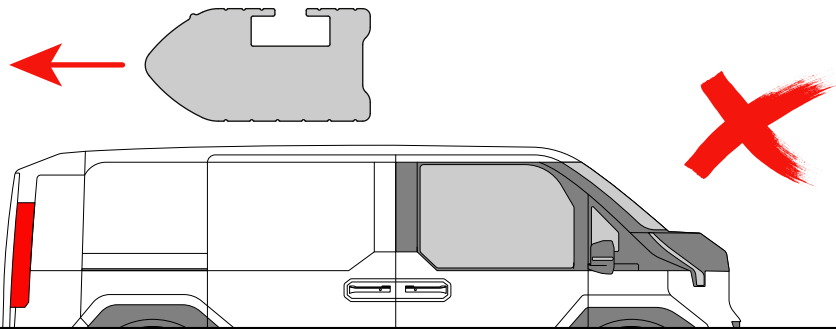
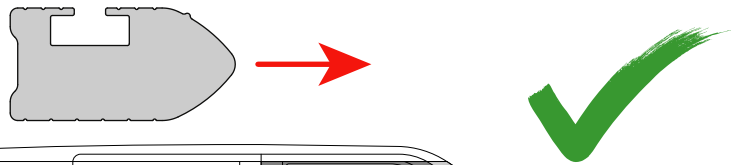


08**09****10****11**

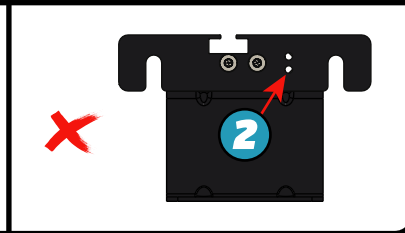
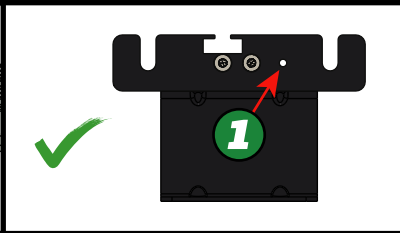
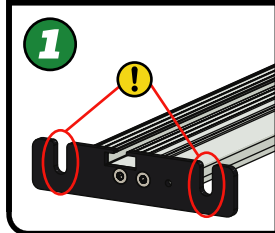
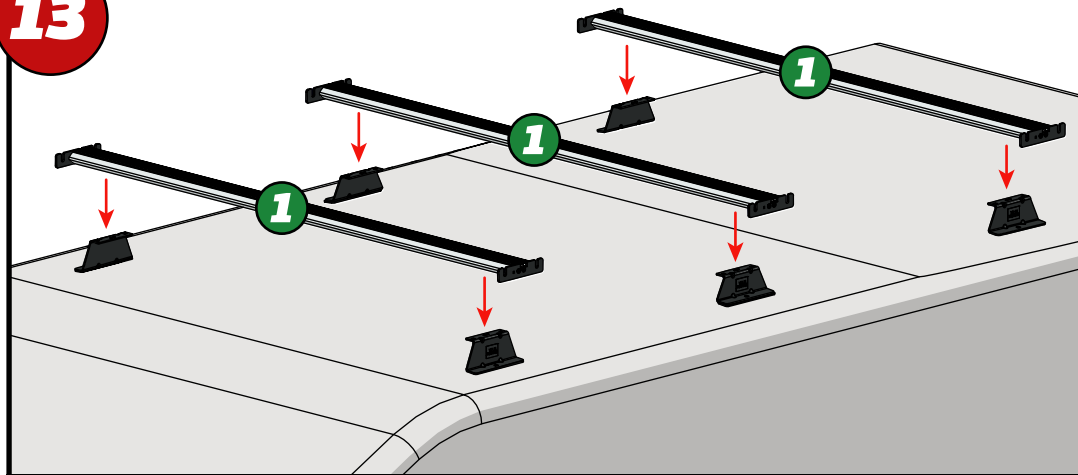
EN - INSERT X2 INTO ALL BARS
 DE - X2 IN ALLE STANGEN EINFÜGEN
 FR - INSÉRER X2 DANS TOUTES LES BARRES
 NL - PLAATS X2 IN ALLE BARS
 ES - INSERTAR X2 EN TODAS LAS BARRAS
 IT - INSERIRE X2 IN TUTTE LE BARRE

SV - INFOGA X2 I ALLA STÄNGAR
 DA - INDSÆT X2 I ALLE STÆNGER
 NO - SETT X2 INN I ALLE TAKSTENGER
 PL - WSTAW X2 DO WSZYSTKICH PRĘTÓW
 CS - VLOŽTE X2 DO VŠECH TYČÍ

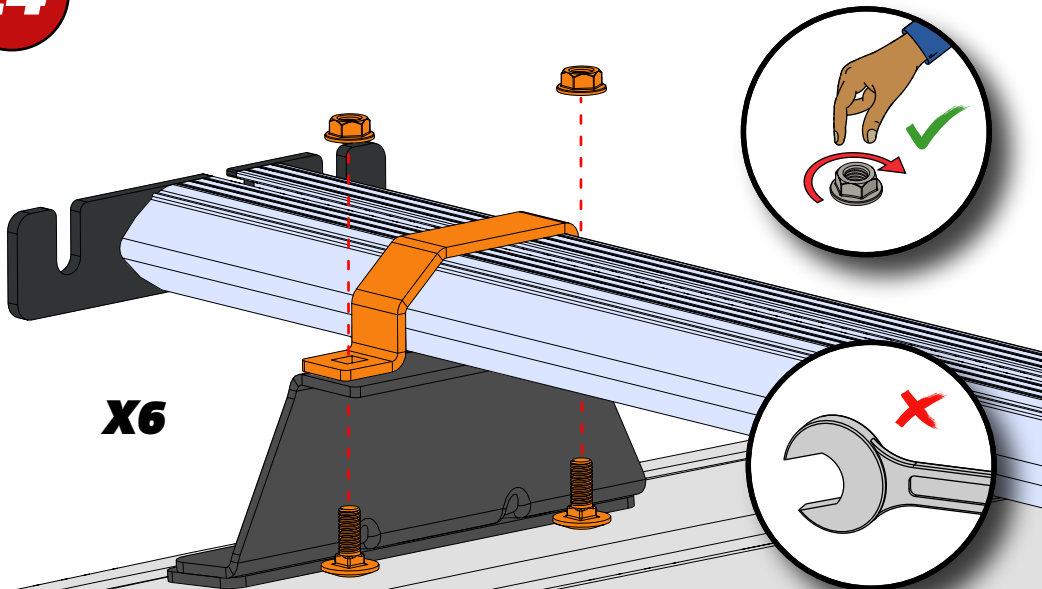
12



13

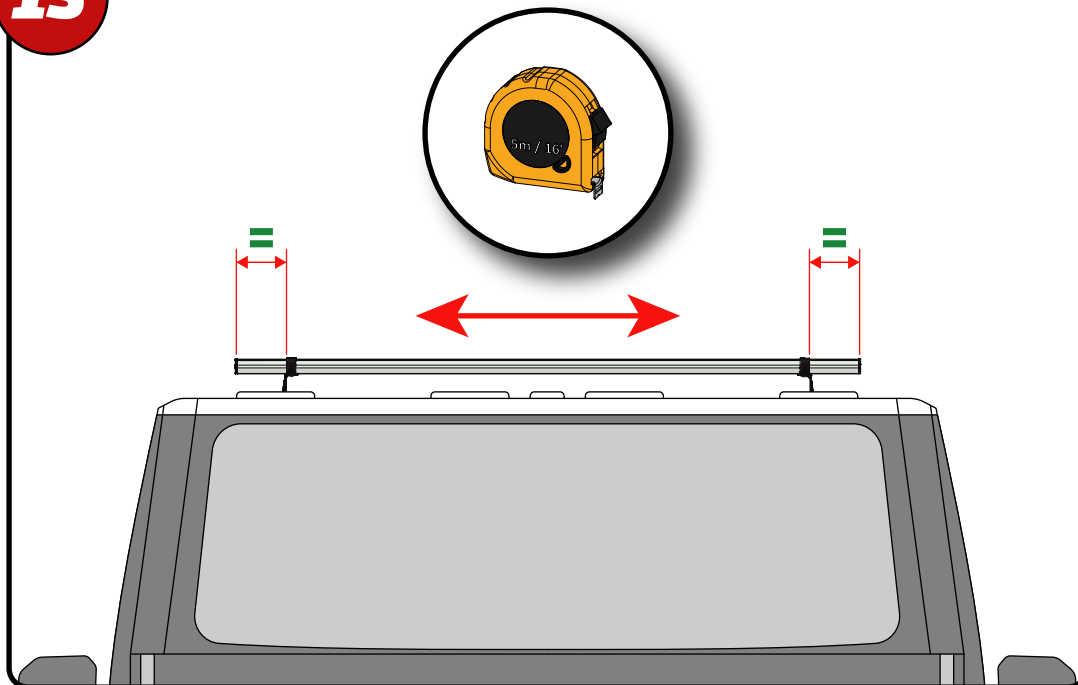


14



X6

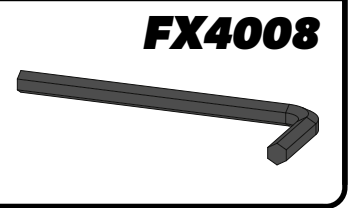
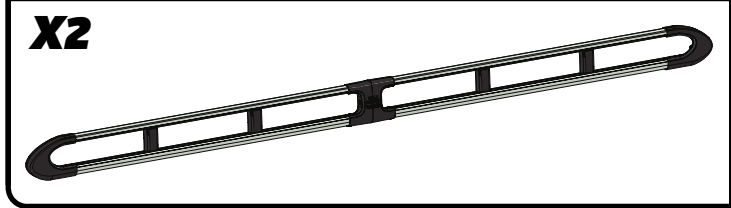
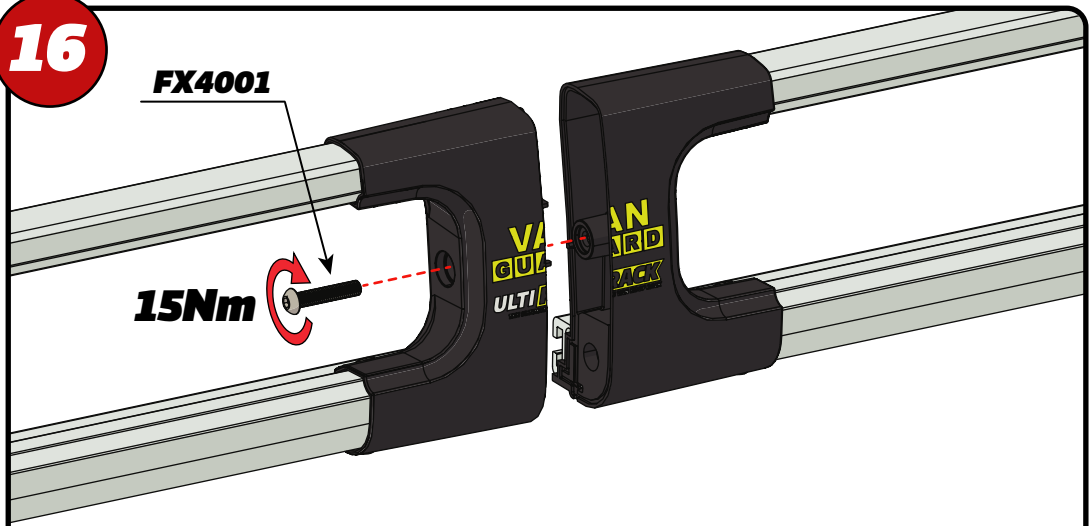
15



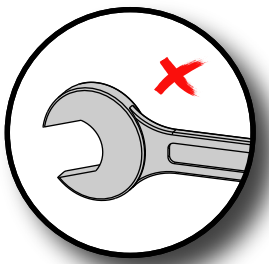
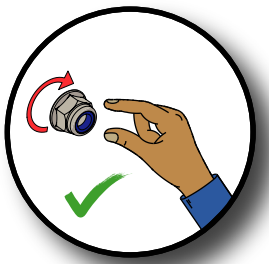
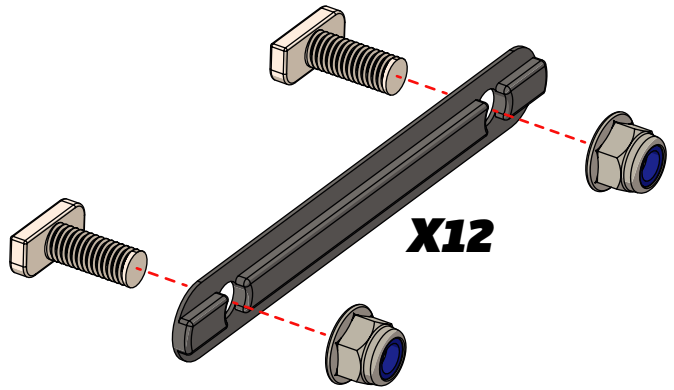
16

FX4001

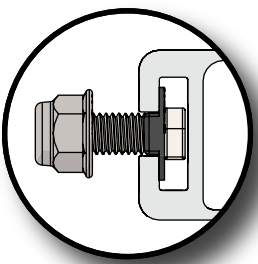
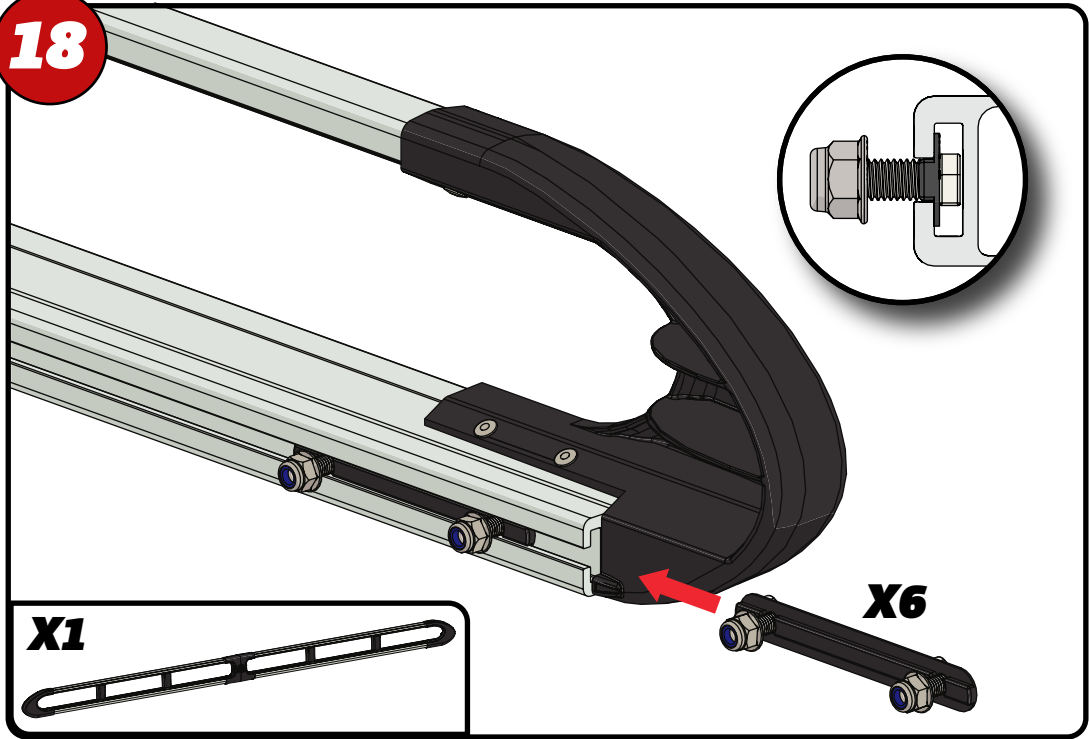
15Nm



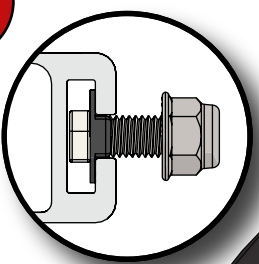
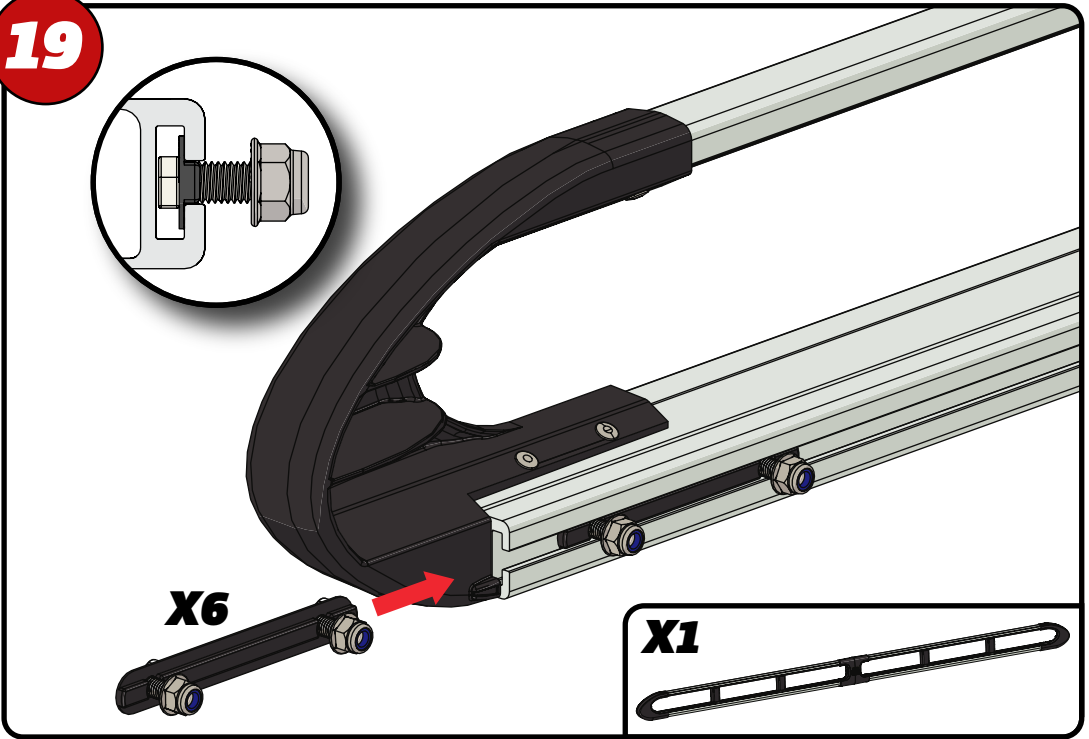
17



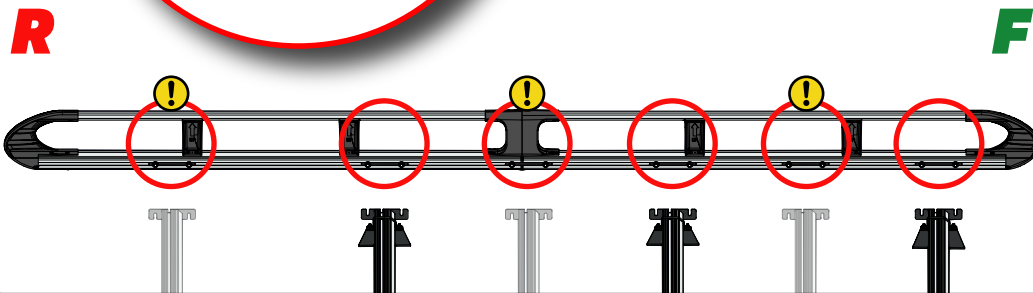
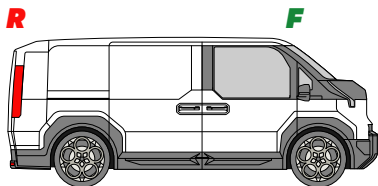
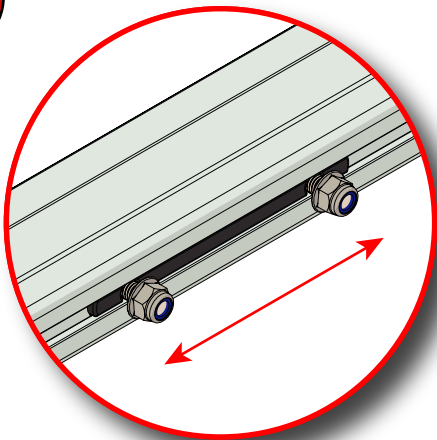
18



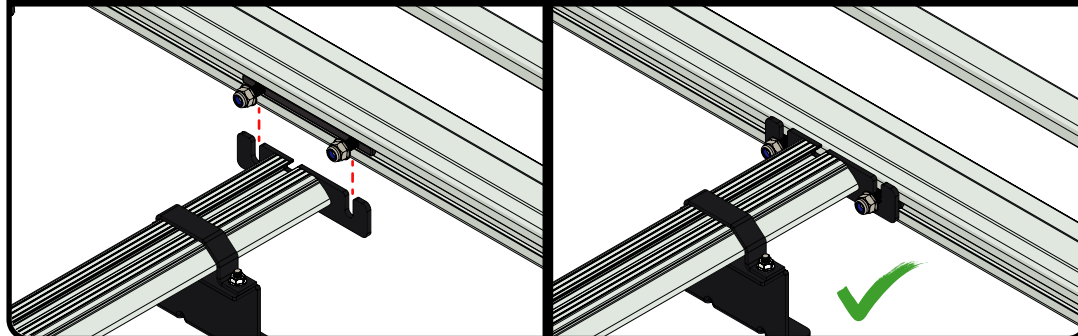
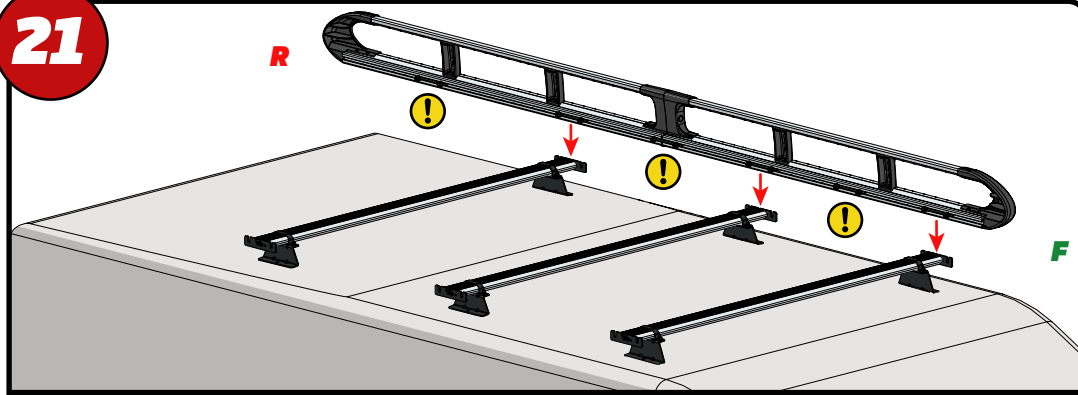
19



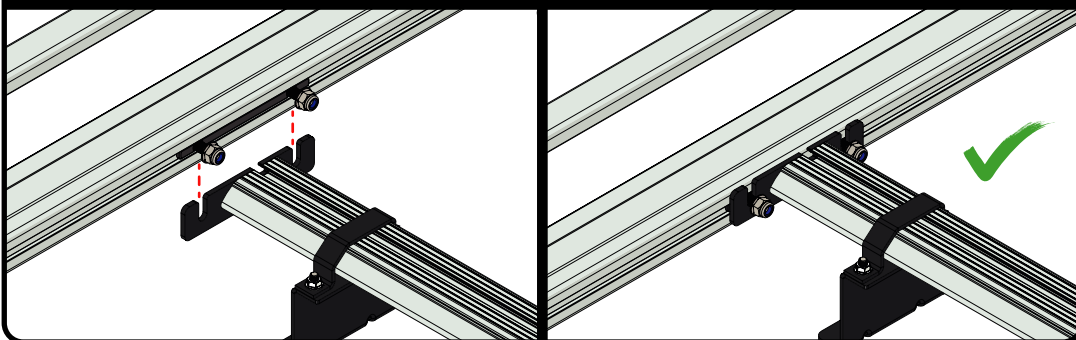
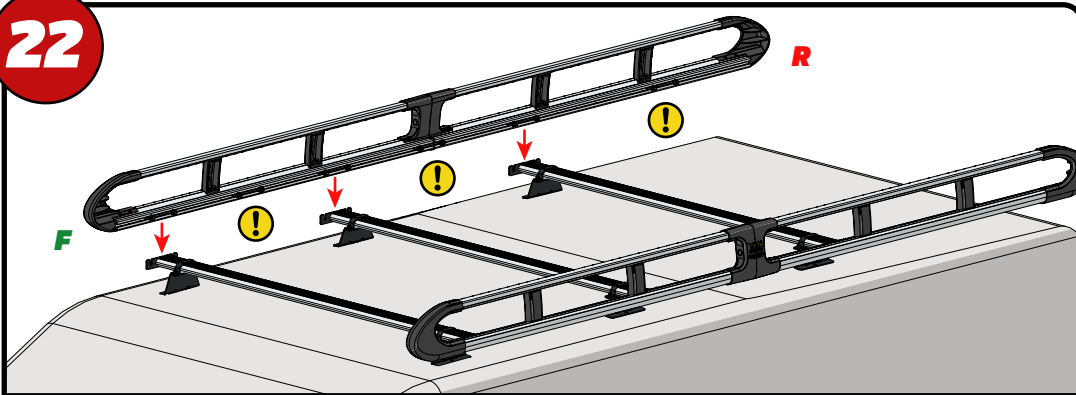
20



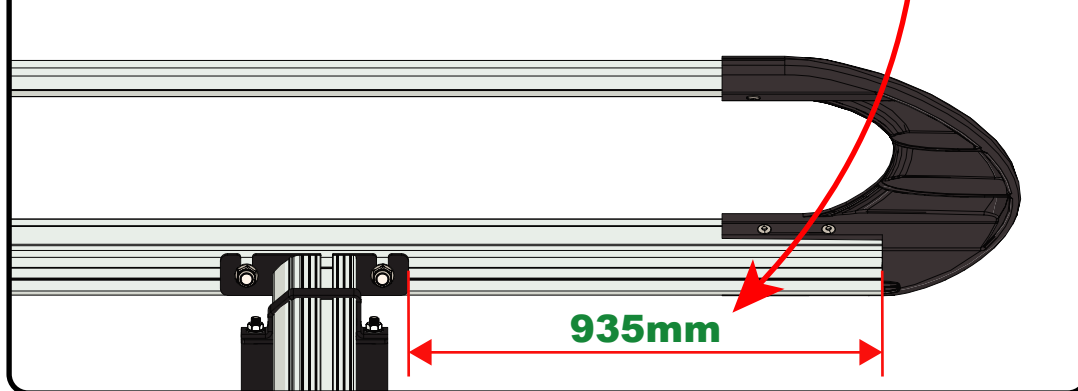
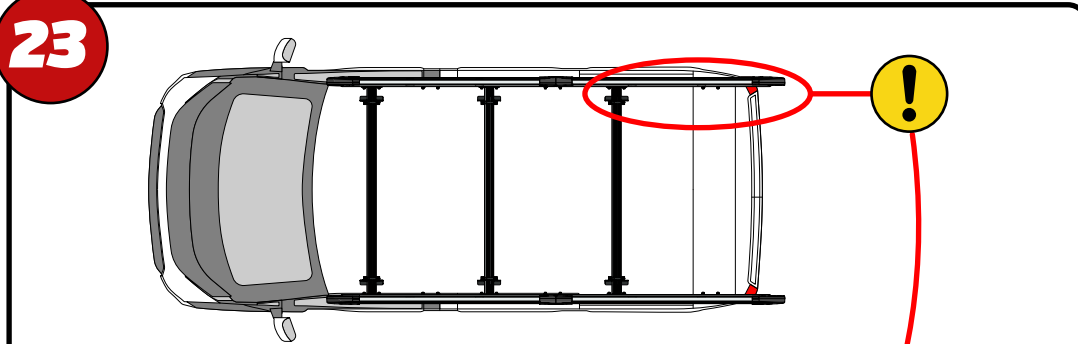
21



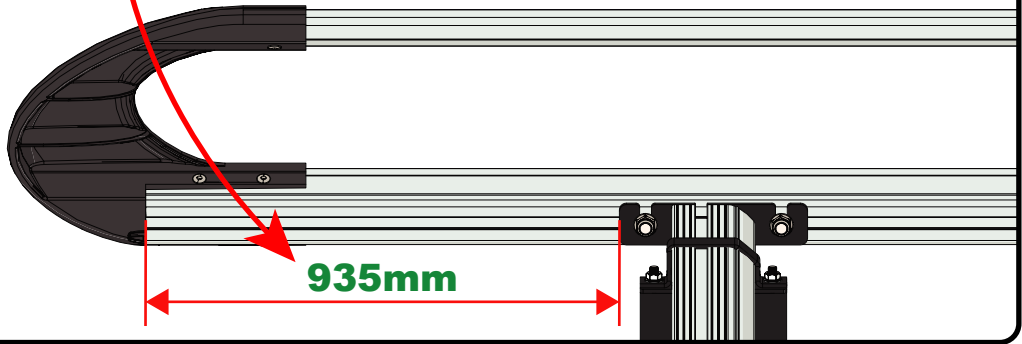
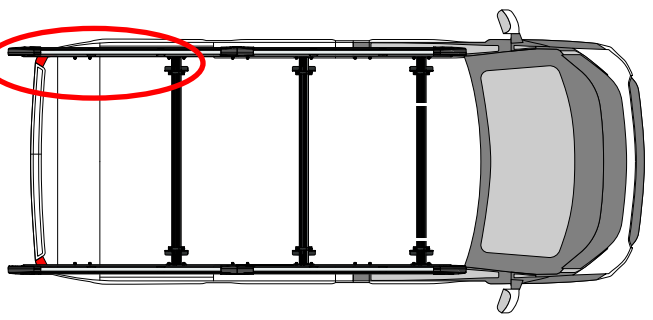
22



23

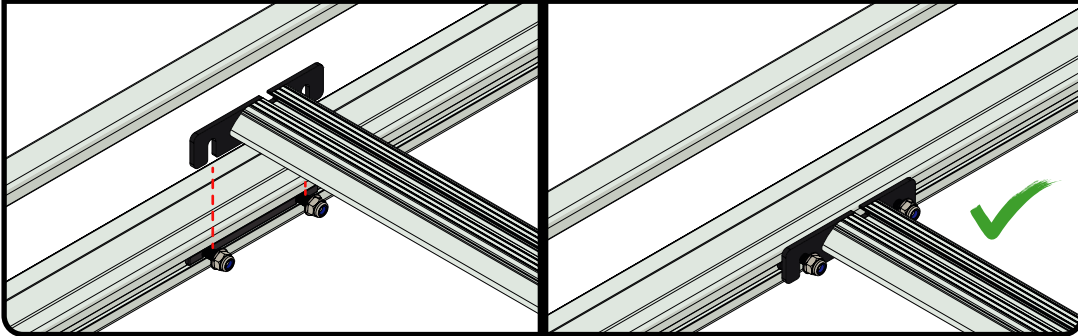
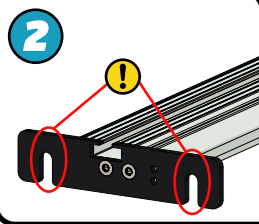
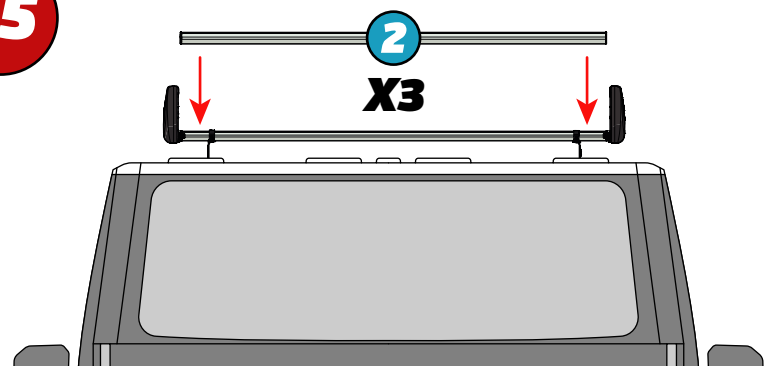


24

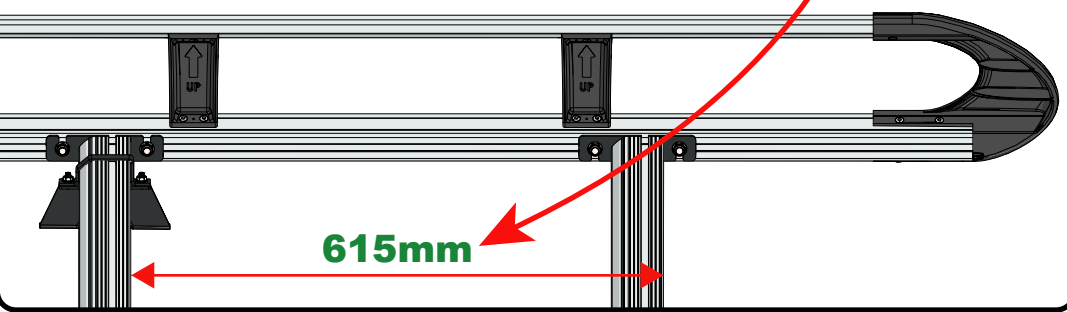
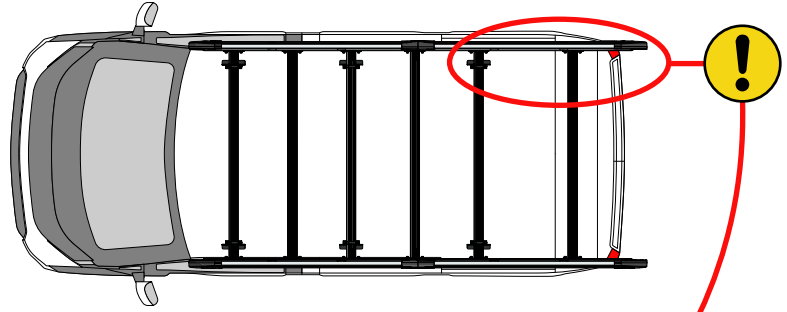


935mm

25

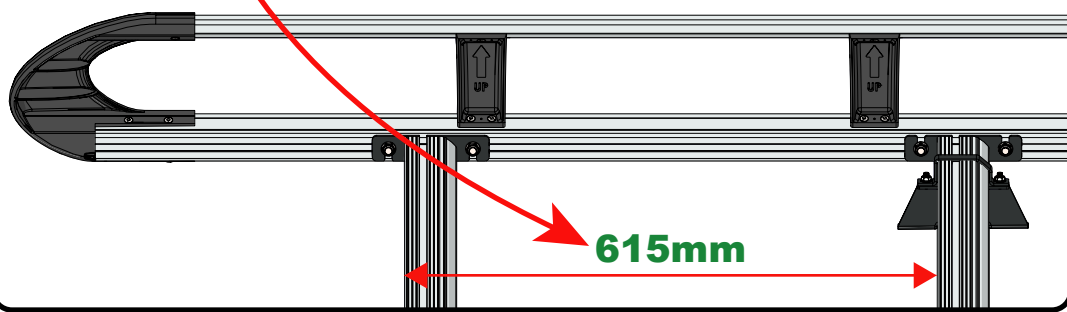
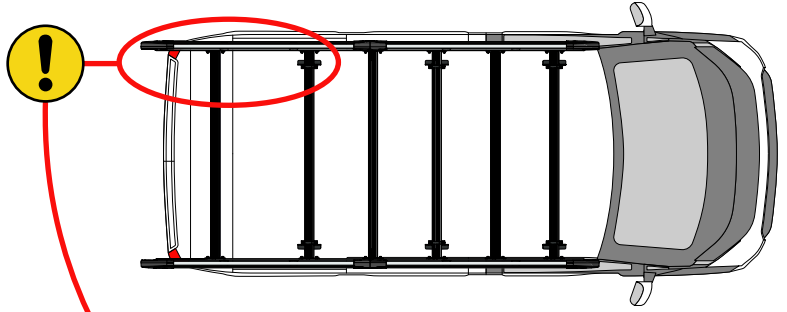


26



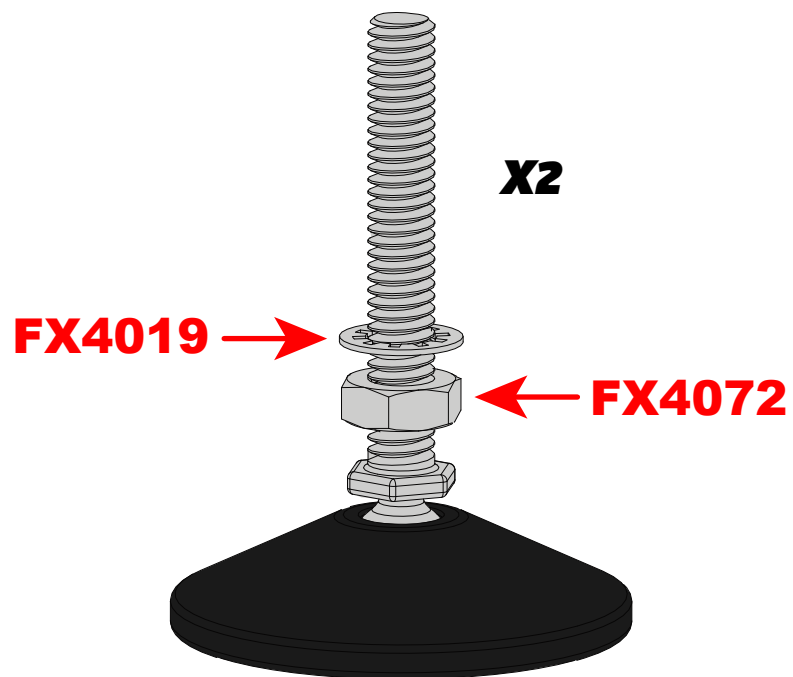
615mm

27

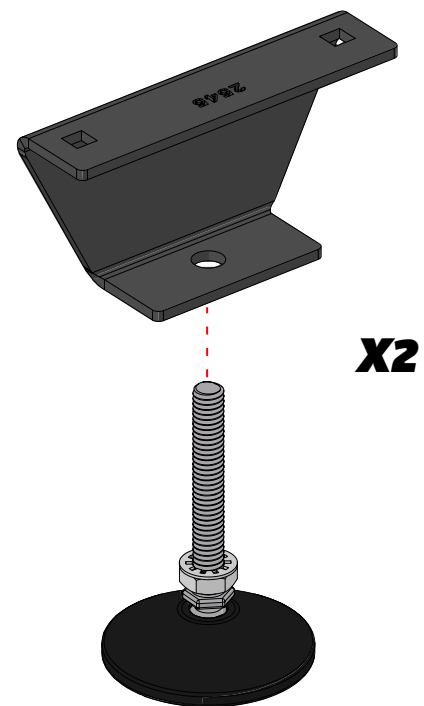


615mm

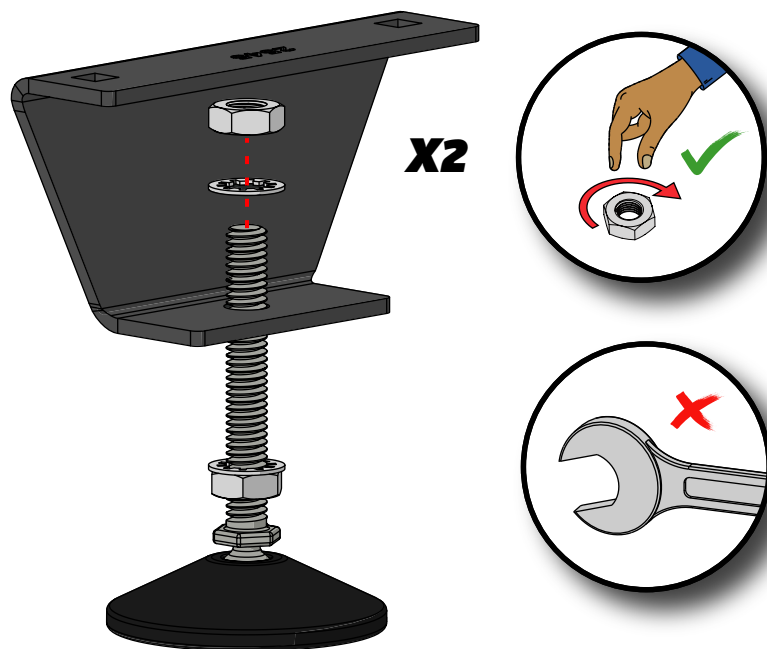
28



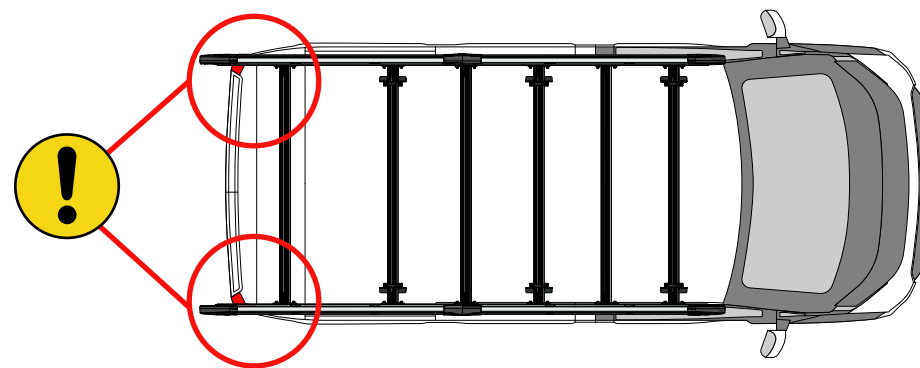
29



30

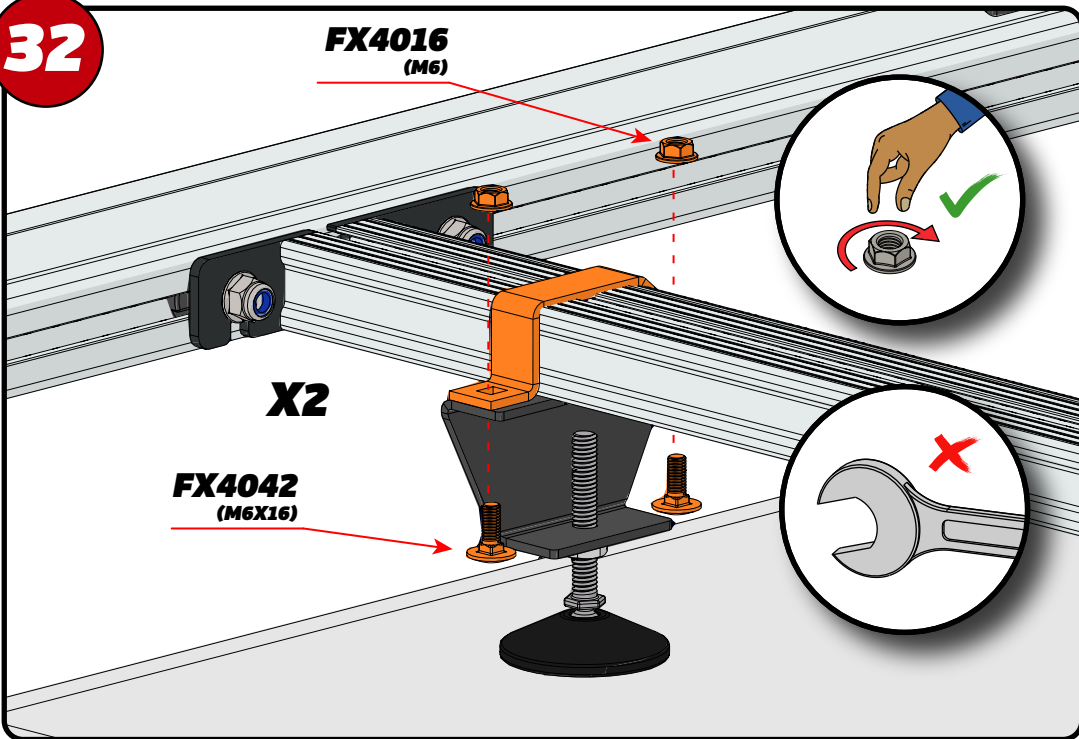


31

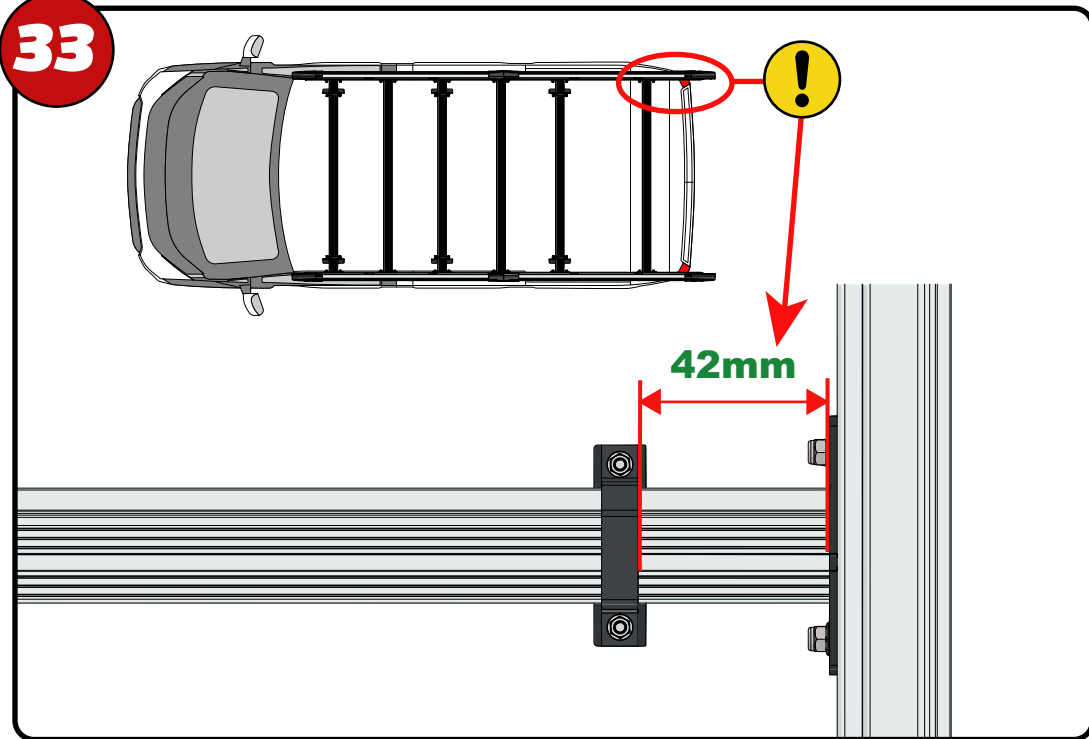


32

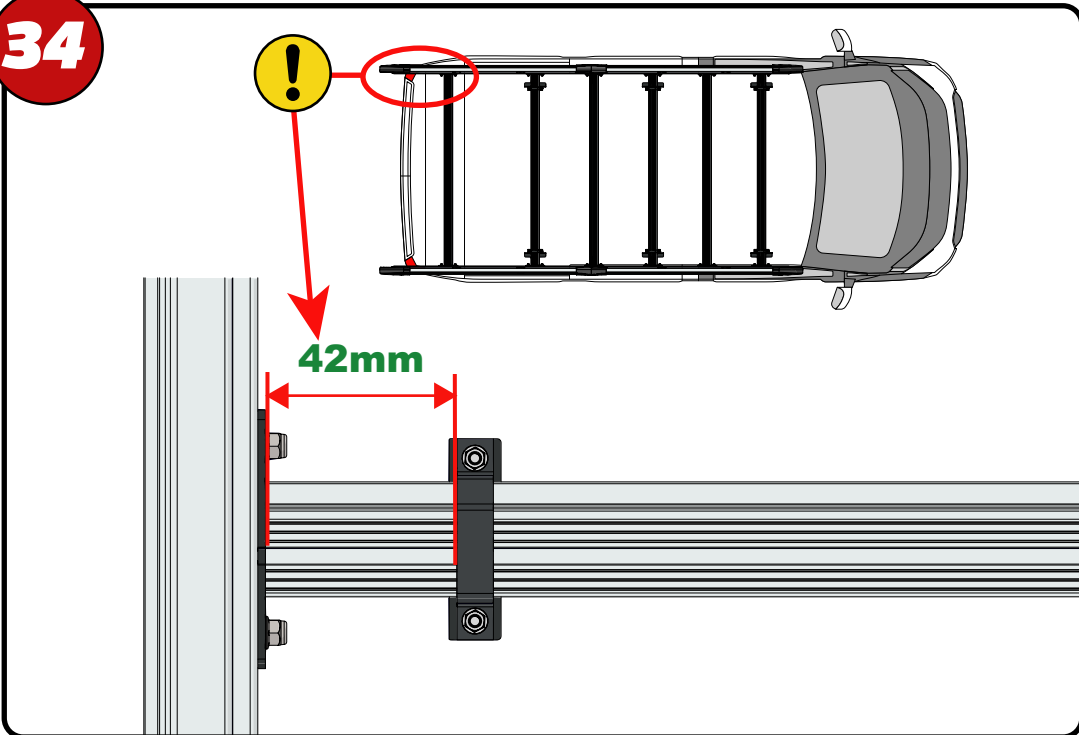
FX4016
(M6)



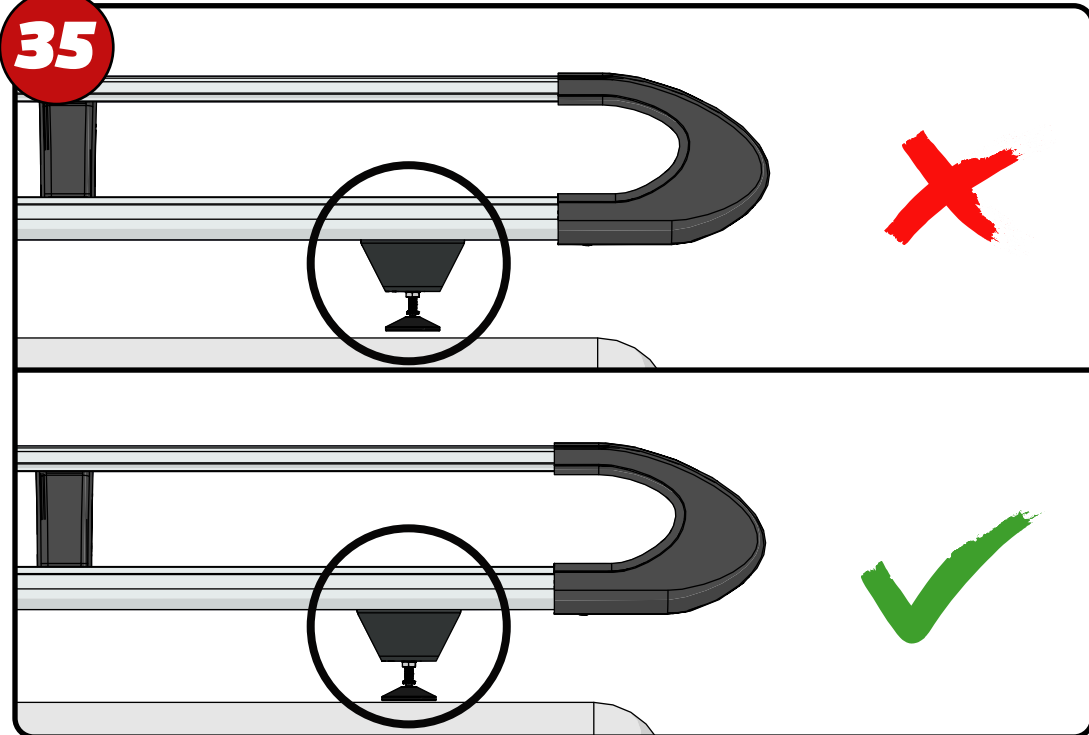
33



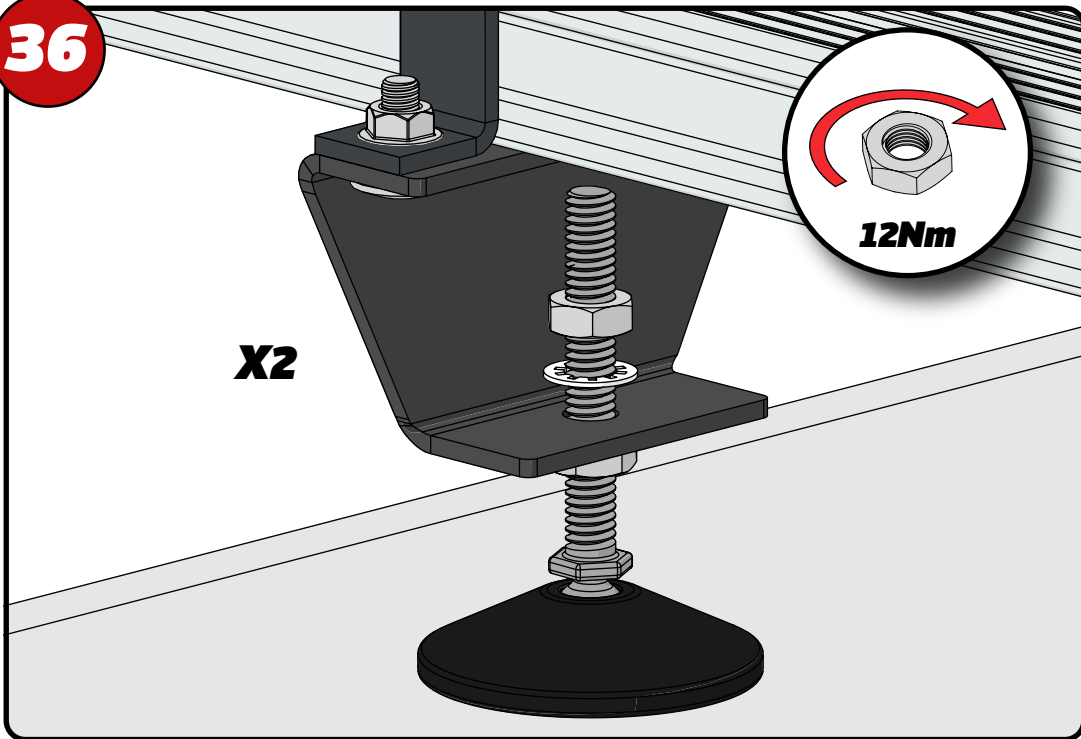
34



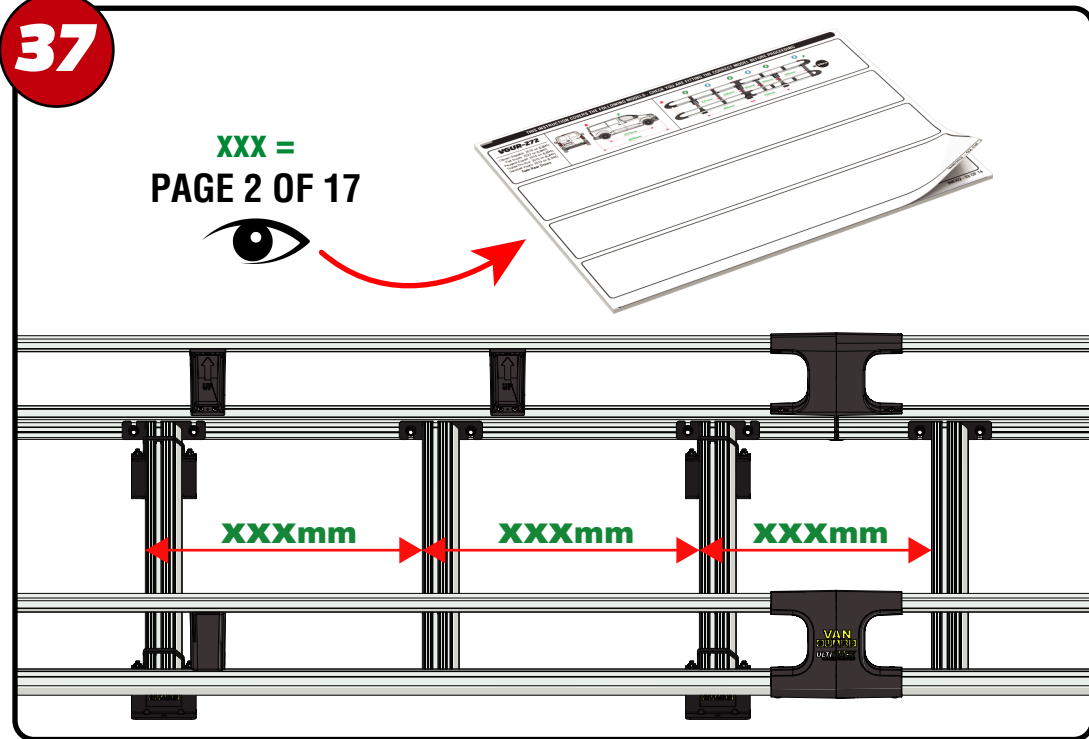
35



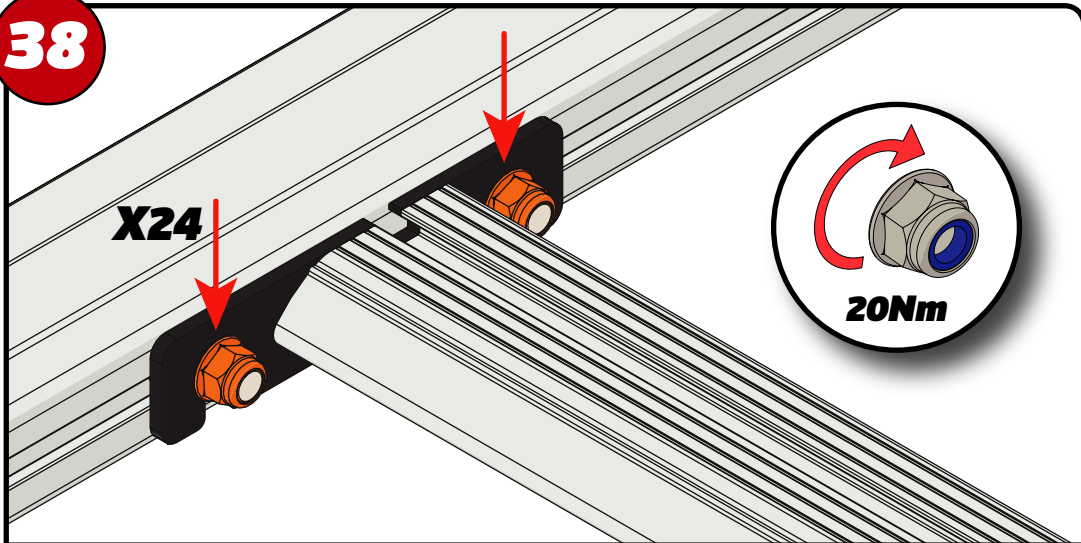
36



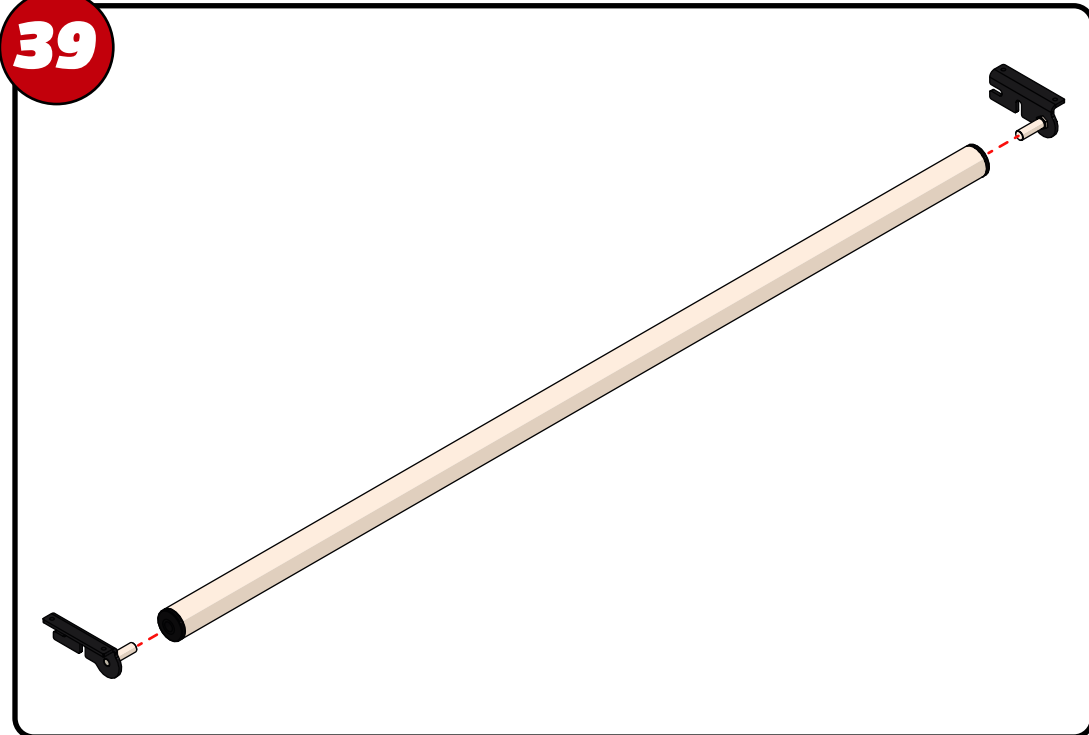
37



38



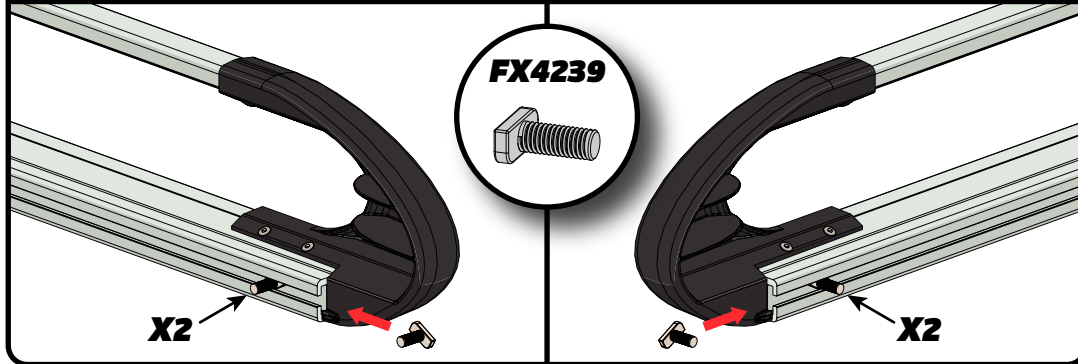
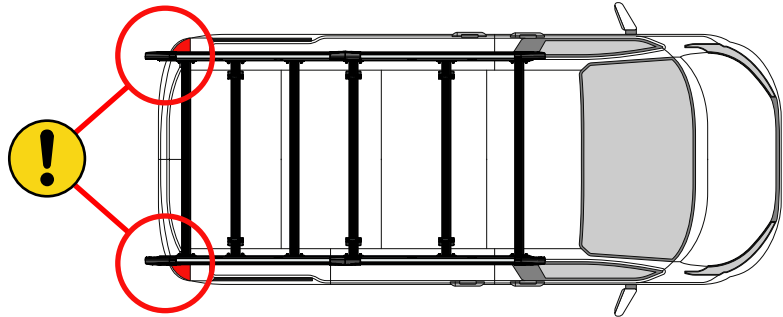
39



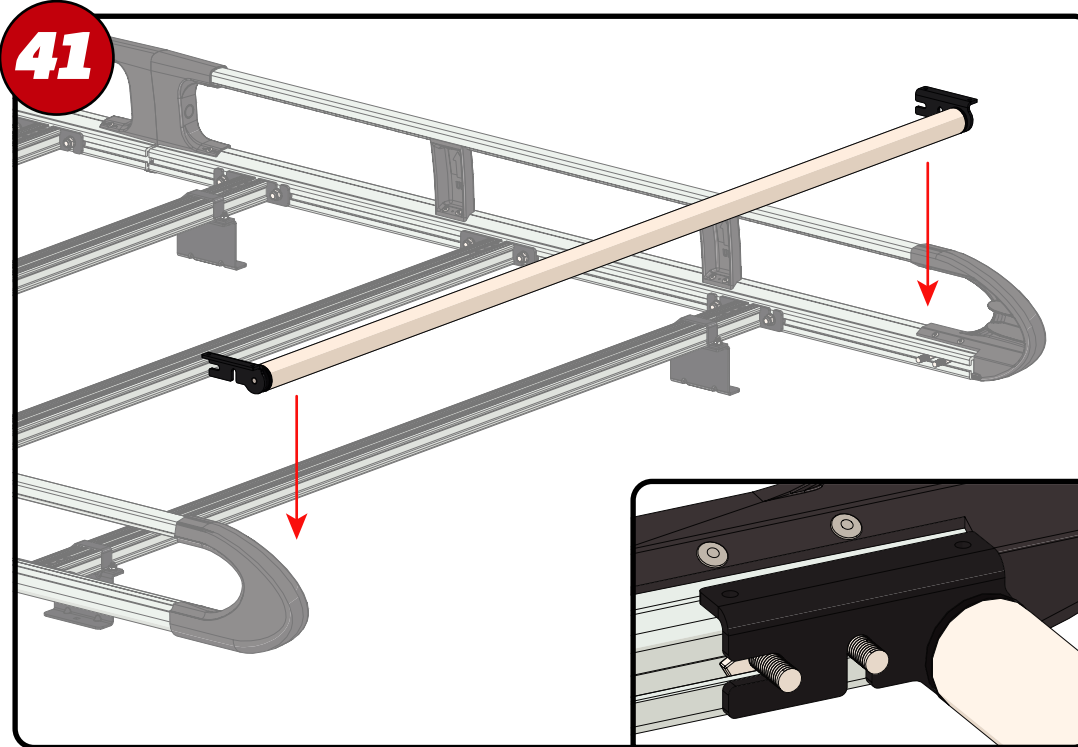
EN - TIGHTEN ALL OF THE CROSS BARS
 DE - ALLE QUERSTANGEN FESTZIEHEN
 FR - SERREZ TOUTES LES BARRES TRANSVERSALES
 NL - DRAAI ALLE DWARSBALK VAN HET DAK AAN
 ES - APRIETE TODAS LAS BARRAS TRANSVERSALES
 IT - STRINGERE TUTTE LE BARRE TRASVERSALI

SV - SKRU UPP ALLA KORSSTANGAR
 DA - SKRU ALLE TAGBØJLER OP
 NO - SKRU OPP ALLE TVERRSTENGER
 PL - DOKRĘCIĆ WSZYSTKIE POPRZECZKI
 CS - VŠECHNY PŘÍČNÉ TYČE SEŠROUJTE

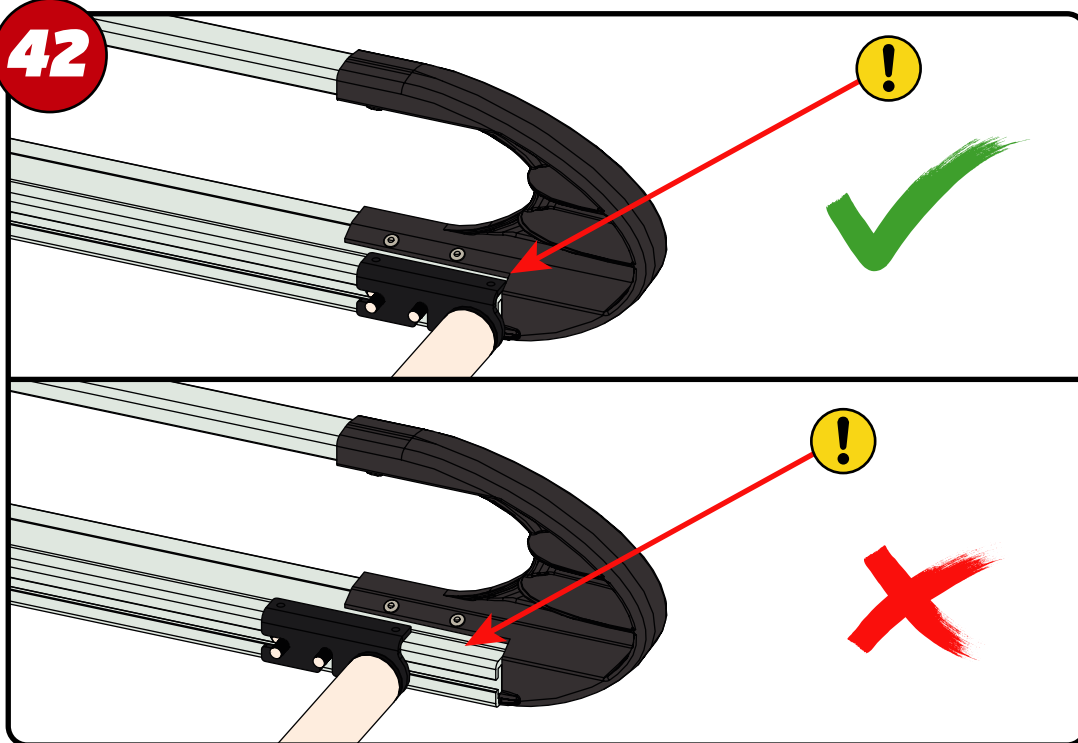
40



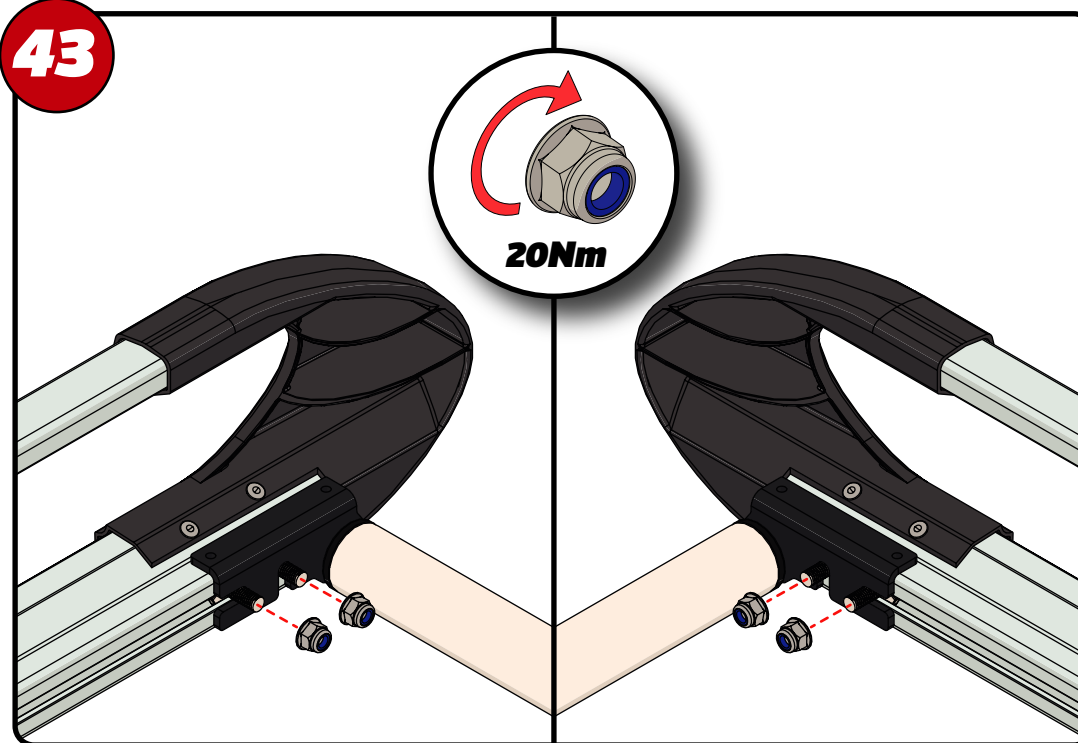
41



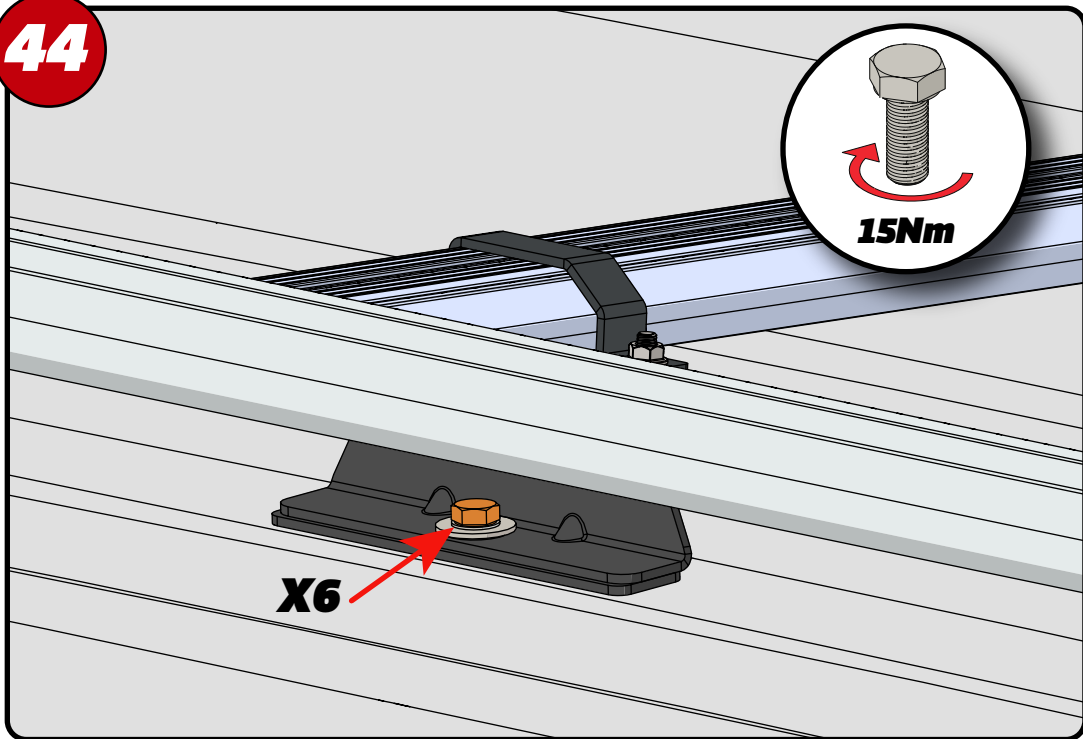
42



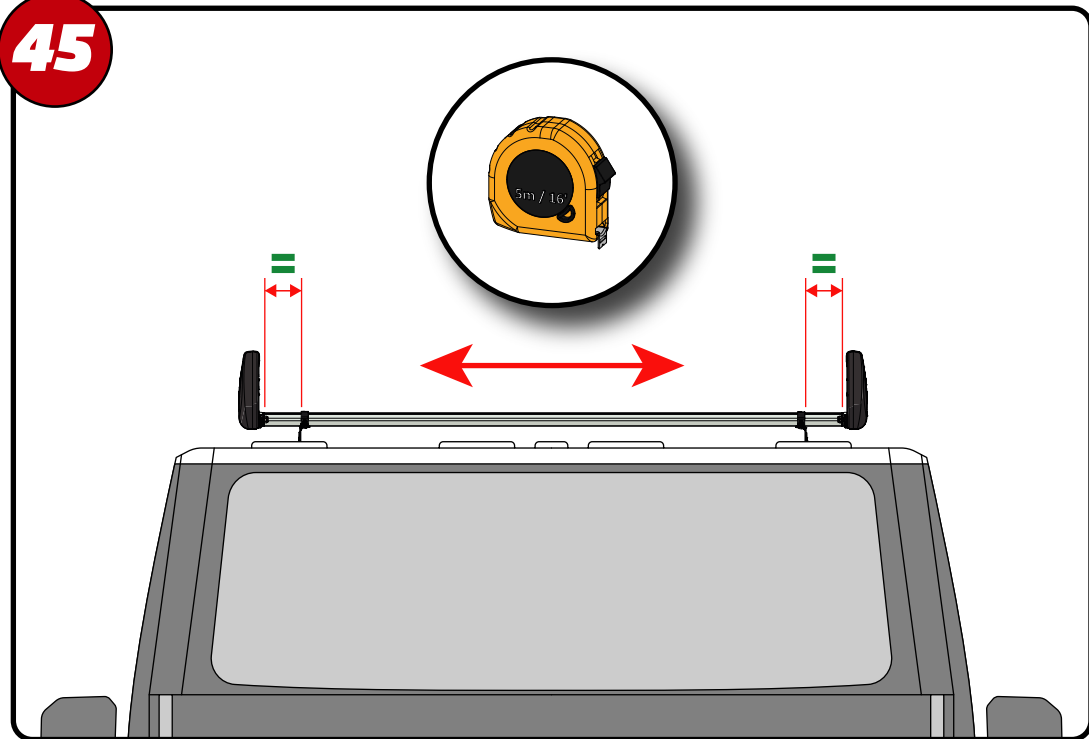
43



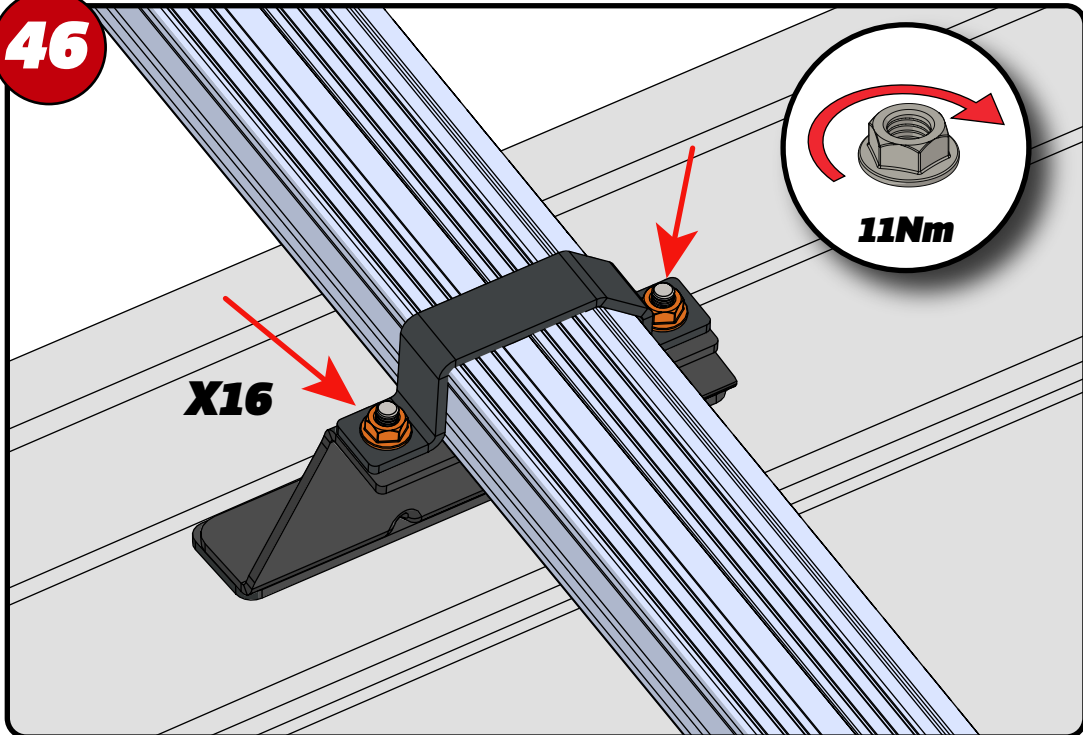
44



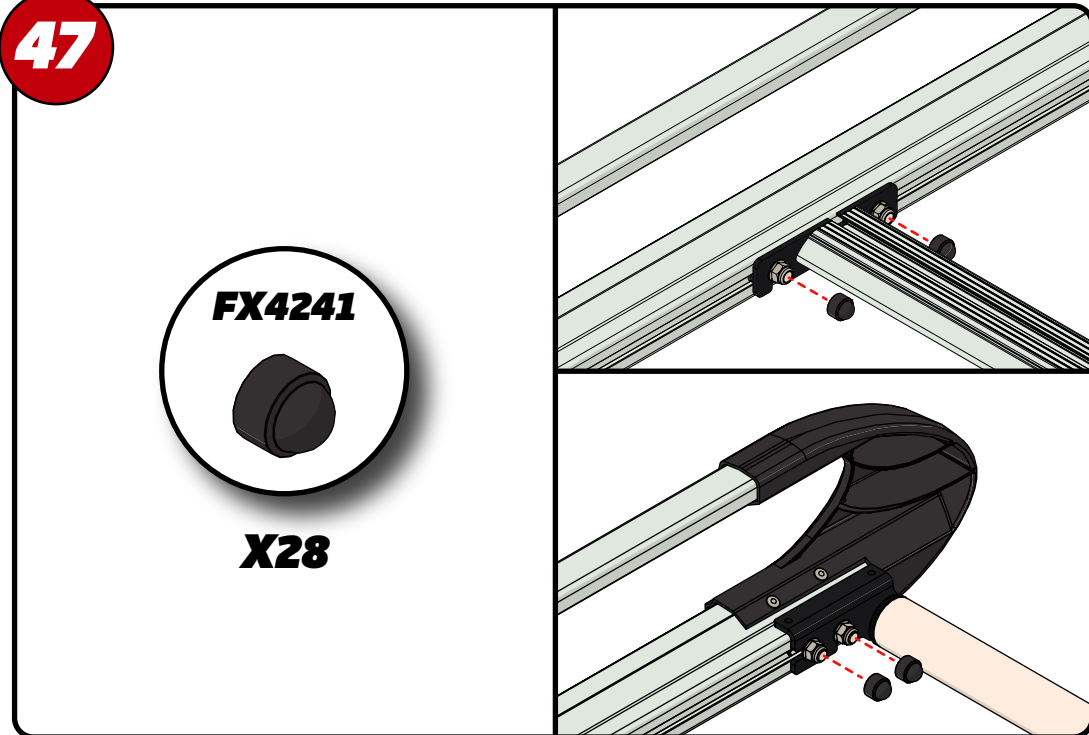
45



46

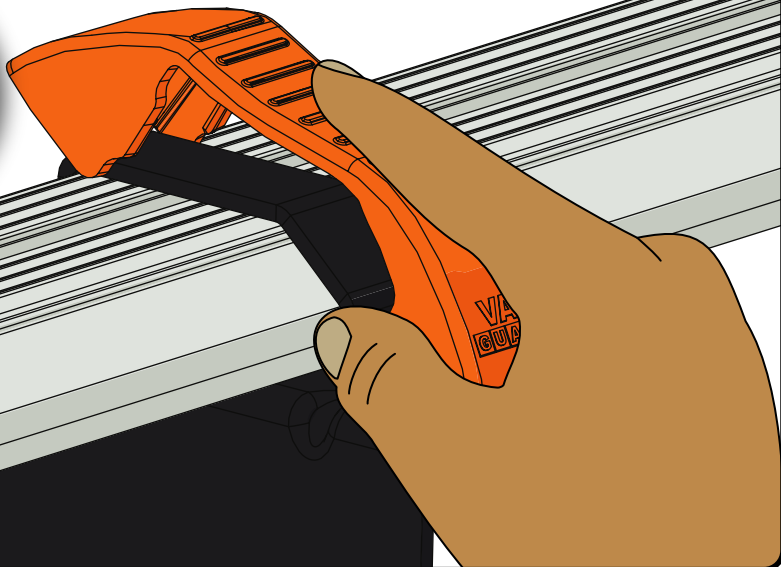


47



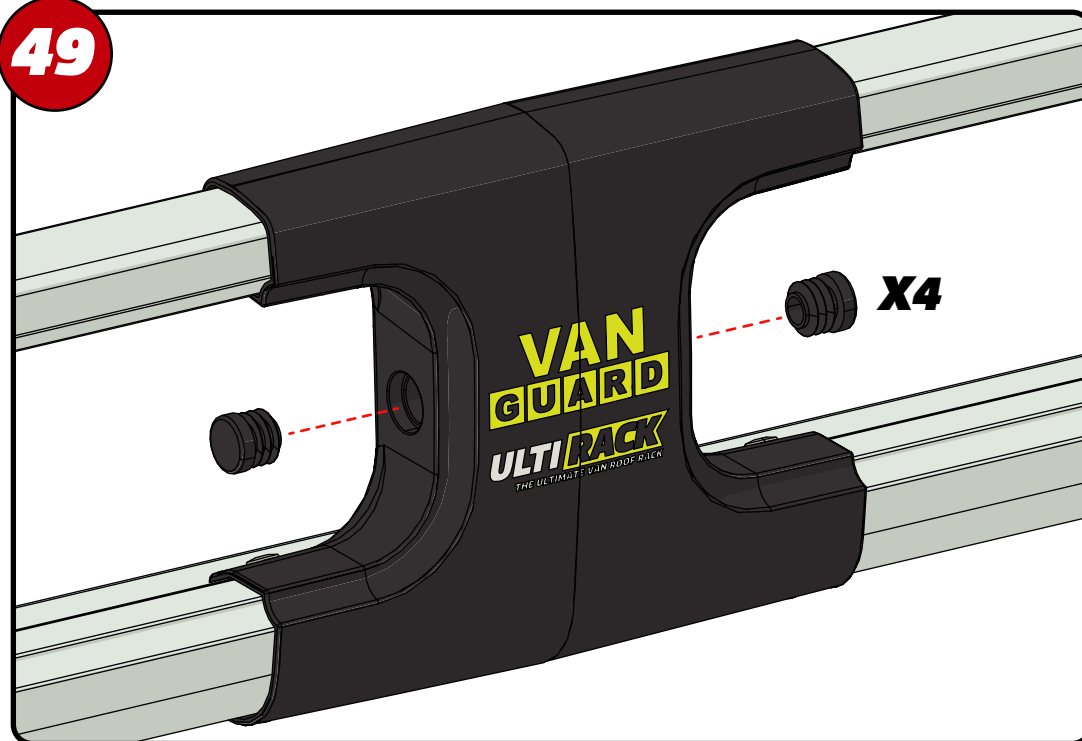
48

X6



49

X4



50

