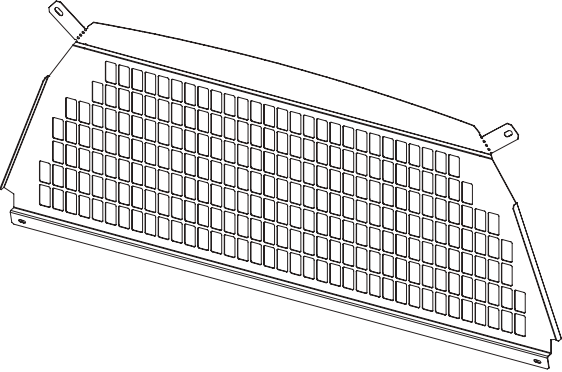

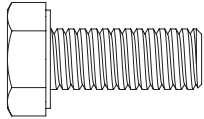
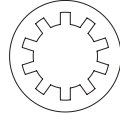
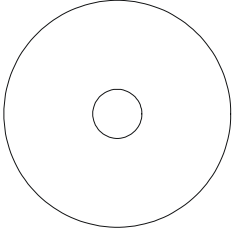
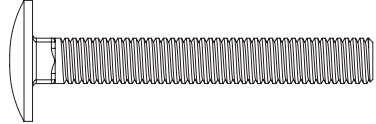


IN8170



Bulkhead - VG240S / VG240P

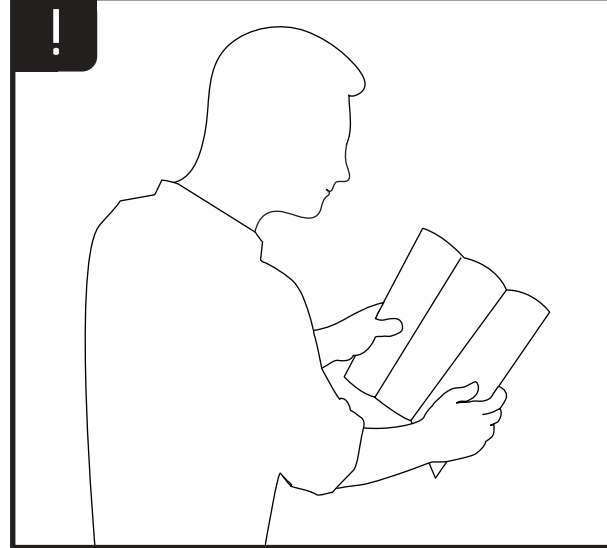
<p>VG240S = ME0382 X1 VG240P = ME0383 X1 (BULKHEAD)</p> 	<p>FX4016 X2 (M6)</p> 	<p>FX4018 X2 (M8X20)</p> 	<p>FX4019 X2 (M8)</p> 	<p>FX4109 X2 (M6)</p> 
	<p>FX4046 X2 (M6X45)</p> 			

CAUTION - IMPORTANT NOTES

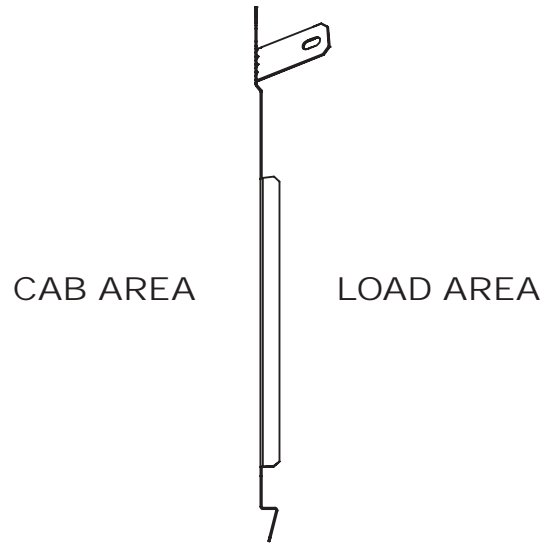
- Please read these notes carefully before attempting to fit this product.
1. Regularly inspect all fixings and parts. Any damaged or worn parts should be immediately removed the vehicle and replaced.
 2. Retain instructions for future use.
 3. It is important that the end user receives this document.

TOOLS REQUIRED

- SPANNER (10MM) X1
- 
- SPANNER (13MM) X1
- 



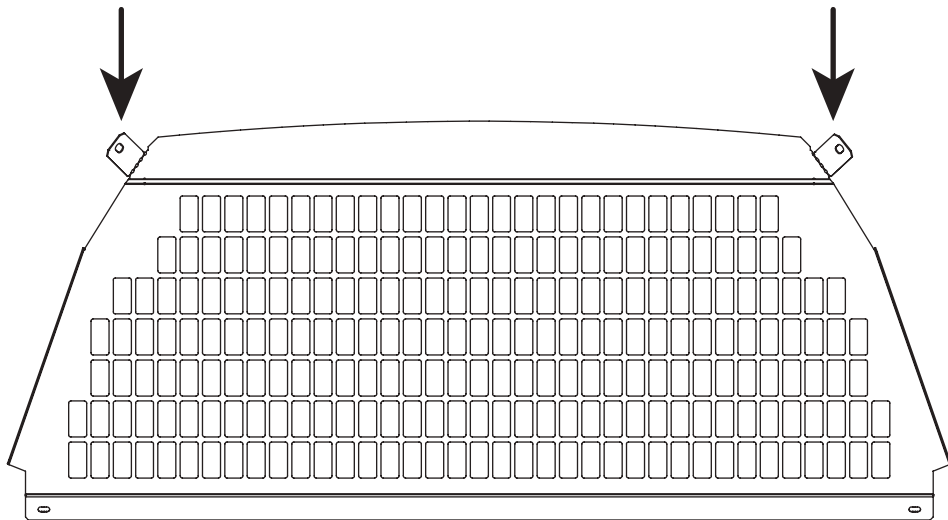
1.1 Bend the two side tabs up (the same way as the side end returns). Take care to weaken the tabs by bending them the wrong way.



1.2 Position the bulkhead into the vehicle and rest on the vehicles existing bottom bulkhead. Ensure that the bulkheads returns are facing into the load area as shown in step 1.1.



2 Loosely secure the bulkheads side tabs to the vehicles fixing points using M8x20 hex bolts (FX4018) and M8 shakeproof washers (FX4019).



3 Insert M6x45 coach bolts (FX4046) through the slots into the cab area (bottom of the bulkhead) and secure M6 washers (FX4109) and M6 flange nuts (FX4016). Once in position tighten all fixings.

