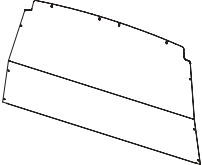
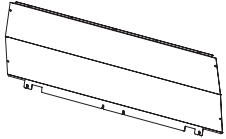



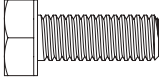
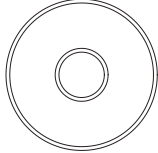


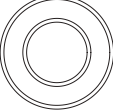
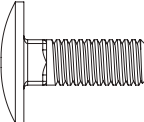
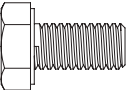
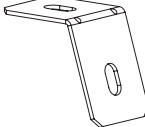


IN8181

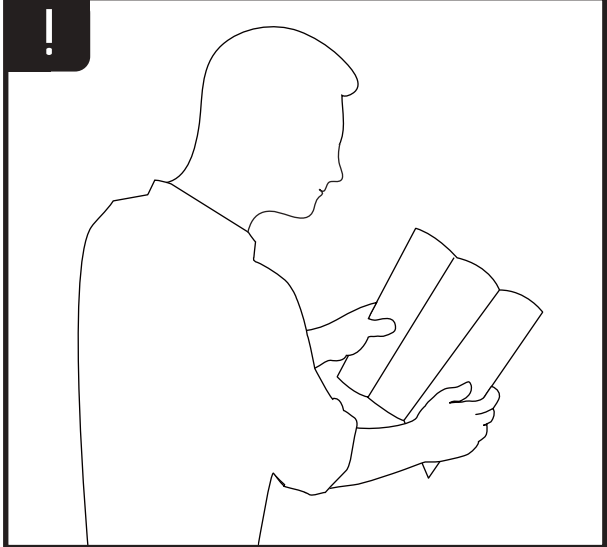
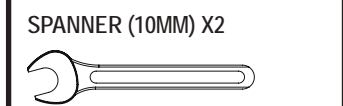
Bulkhead - VG293S / VG293P

VG293S = ME0286 X1 VG293P = ME0287 X1 (TOP) 	ME0288 X1 (BOTTOM) 	AS3293 X1 (SIDE - RIGHT) 	AS3294 X1 (SIDE - LEFT) 	FX4010 X24 (M6) 	FX4012 X4 (M6X16) 	FX4013 X22 (M6) 
FX4016 X9 (M6) 	FX4017 X6 (M6) 	FX4020 X5 (M8) 	FX4042 X5 (M6X16) 	FX4060 X24 (M6X12) 	ME0289 X4 (FIXING PLATE) 	

CAUTION - IMPORTANT NOTES

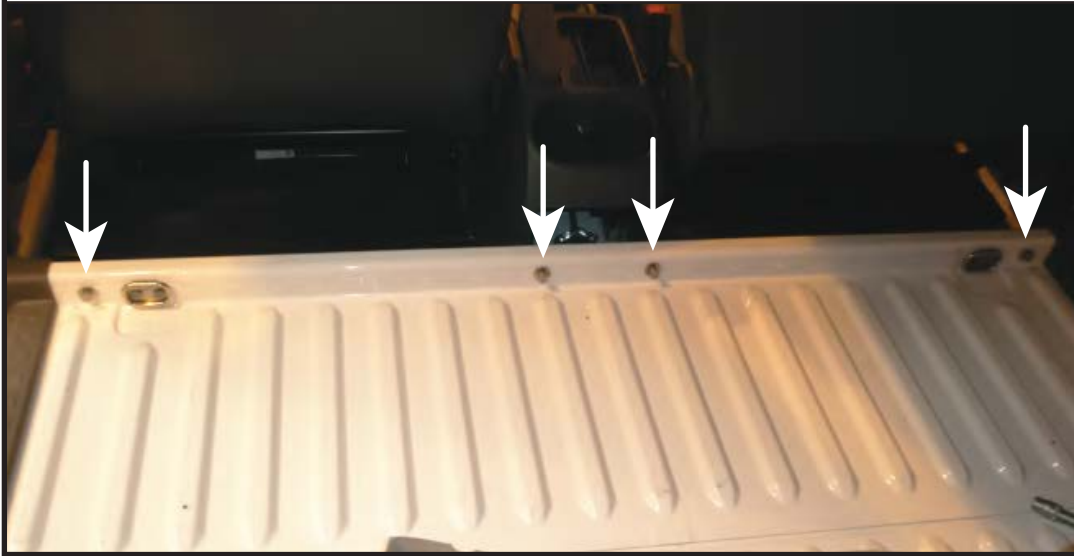
- Please read these notes carefully before attempting to fit this product.
1. Regularly inspect all fixings and parts. Any damaged or worn parts should be immediately removed the vehicle and replaced.
 2. Retain instructions for future use.
 3. It is important that the end user receives this document.

TOOLS REQUIRED



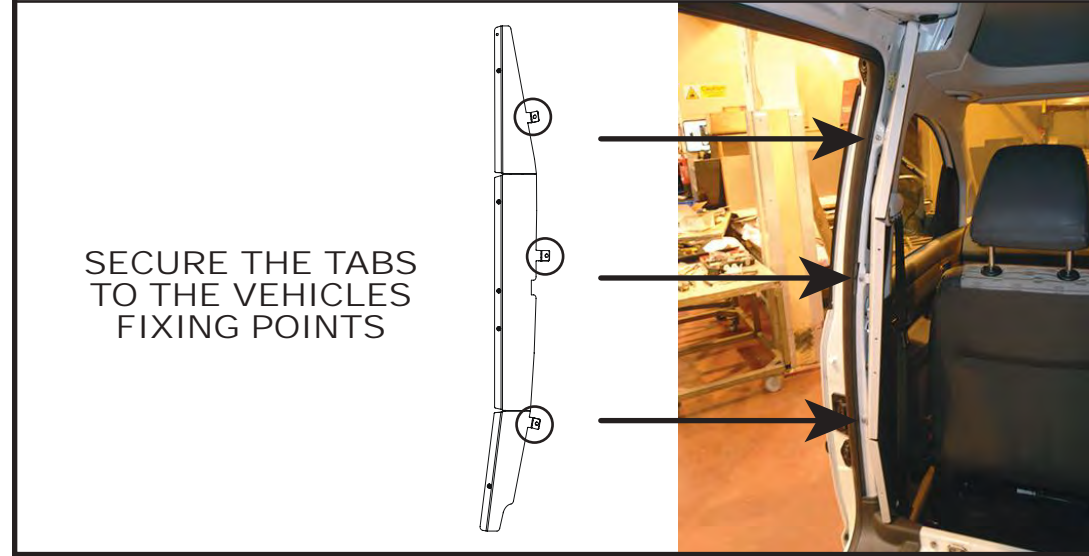
1 Please read the important notes on page 1 before fitting this product. Do not tighten any fixings until the full bulkhead is in position.

Loosely bolt M6x16 hex bolts (FX4012) with M6 shakeproof washers (FX4010) and M6 washers (FX4013) into the vehicles four fixing points along the bottom of the vehicle.

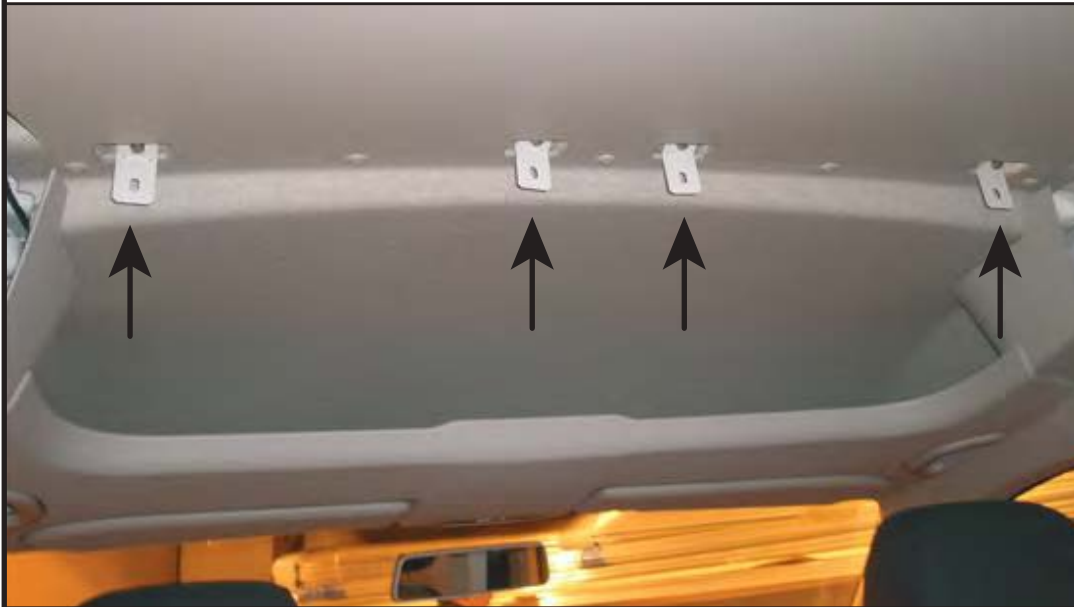


2 Secure both sides to the vehicles fixing points as shown below using M6x12 hex bolts (FX4060), M6 shakeproof washers (FX4010) and small M6 washers (FX4017).

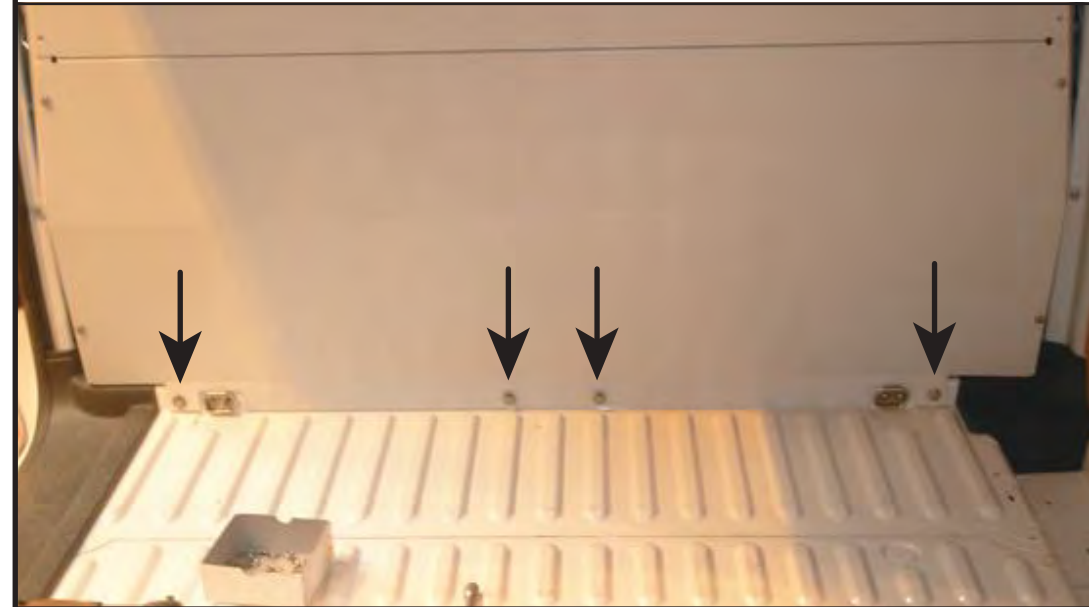
The sides are handed to suit both sides of the vehicle and each side has three fixing points, the photo below shows the left side.



3 Loosely bolt the four fixing plates to the vehicles top fixing positions using M6x12 hex bolts (FX4060), M6 shakeproof washers (FX4010) and M6 washers (FX4013). Ensure that the longest face of the fixing plate is facing downwards.



4 Lower the bottom bulkhead onto the four M6x16 hex bolts fitted in step 1. The bottom bulkhead has slots which fit over the bolts. Ensure that the flange on the top is facing towards the cab area.



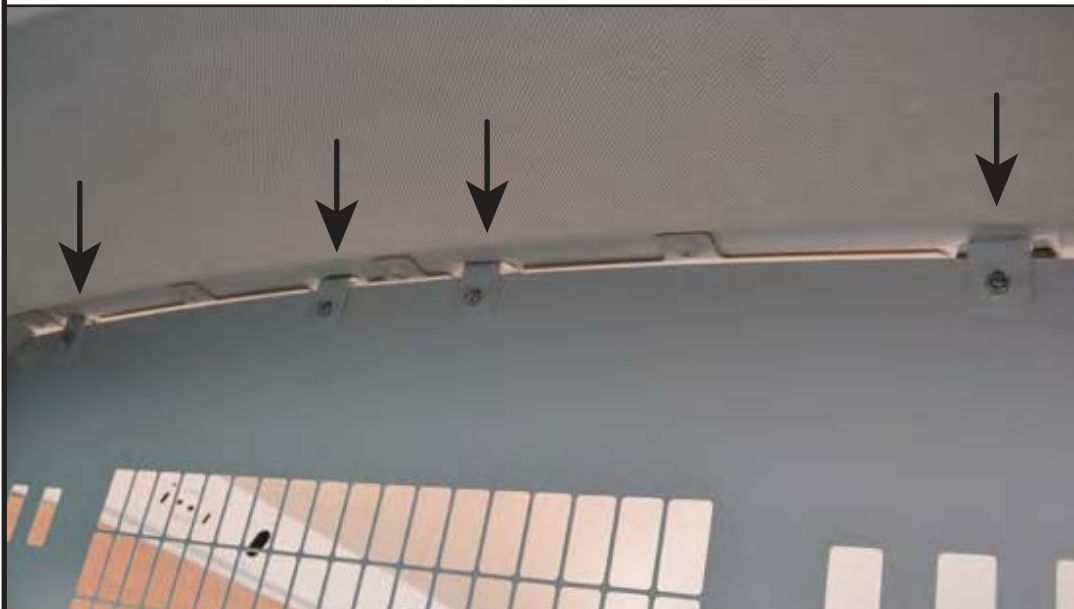
5 Loosely bolt the bottom bulkhead to the threaded inserts on the sides using M6x12 hex bolts (FX4060), M6 shakeproof washers (FX4010) and M6 washers (FX4013).



6 Place the top bulkhead onto the flange of the bottom bulkhead and loosely secure to the sides using M6x12 hex bolts (FX4060), M6 shakeproof washers (FX4010) and M6 washers (FX4013).



7 Loosely secure the top bulkhead to the four fixings plates fitted in step 3 using M6x12 hex bolts (FX4060), M6 washers (FX4013) and M6 flange nuts (FX4016). The photo below is taken from inside the cab area.



8 Secure the top and bottom bulkhead together using M6x16 coach bolts (FX4042), M8 washers (FX4020) and M6 flange nuts (FX4016). It may be necessary to move the seats forward to reach the fixing holes (five positions in total).



9 Once in position tighten all of the bulkhead fixings followed by the side fixings.



EXAMPLE IMAGE

