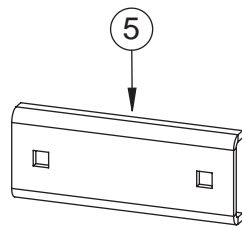
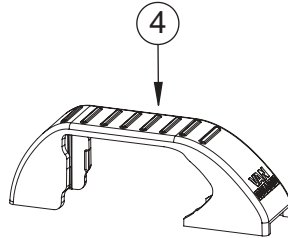
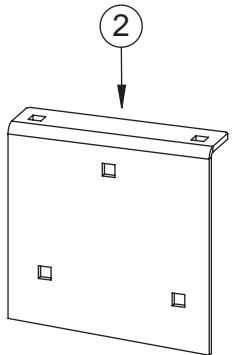
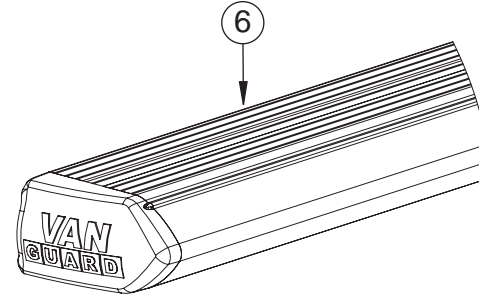
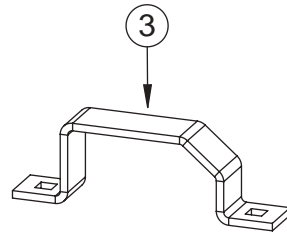
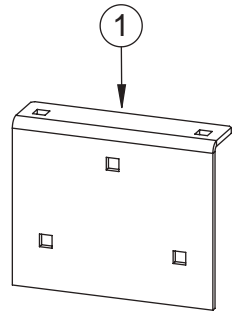


VG43-2

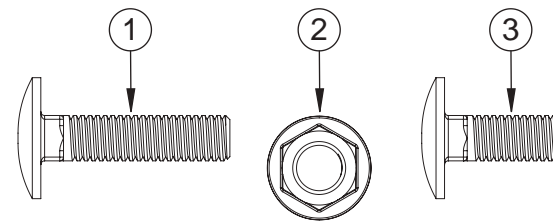
2 Heavy duty aluminium roof bars - Vauxhall Astra Van pre September 2006

SUPPLIED COMPONENTS



#	DESCRIPTION	QTY
1	REAR / MIDDLE ROOF BRACKET	2
2	FRONT ROOF BRACKET	2
3	TOP HAT	4
4	TOP HAT COVER	4
5	FIXING BRACKET	4
6	ROOF BAR	2

SUPPLIED FIXING KIT



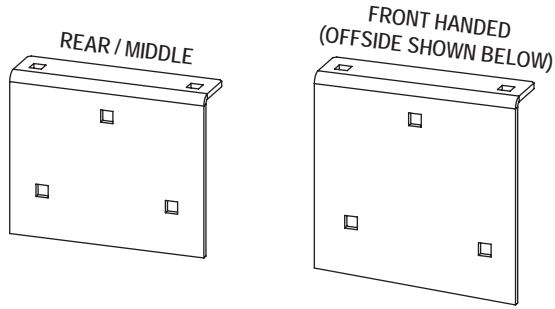
#	DESCRIPTION	QTY
1	M6x25 COACH BOLT	8
2	M6 SERRATED FLANGE NUT	16
3	M6x16 COACH BOLT	8

TOOLS REQUIRED: 10mm SPANNER / RATCHET

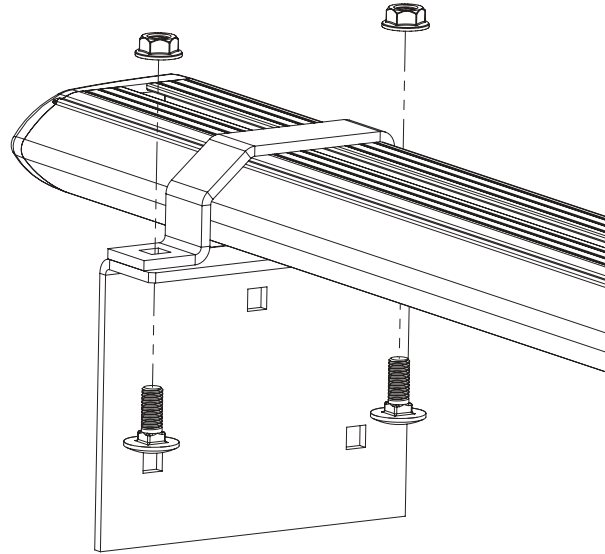
This FITTING INSTRUCTION is the property of VAN GUARD ACCESSORIES LTD. and must not be used for manufacturing purposes, copied nor communicated in any way to third parties without written permission from VAN GUARD ACCESSORIES LTD.
IN8123_B

Van Guard Accessories Ltd
Fair Oak Close, Exeter Airport Business Park,
Exeter, Devon, EX5 2UL
www.van-guard.co.uk

1 The front roof brackets are handed to suit both sides of the vehicle and are angled to suit the slope of the roof.

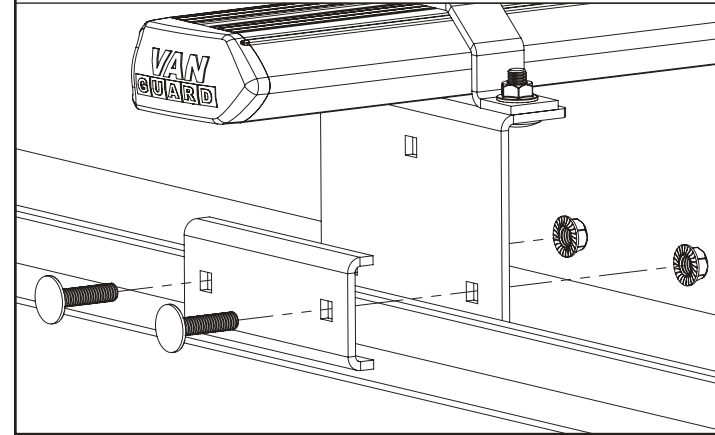


2 Loosely secure the roof bars onto the roof brackets using top hat brackets, M6x16 coach bolts & M6 serrated nuts. Ensure that the roof bar inserts are facing upwards.

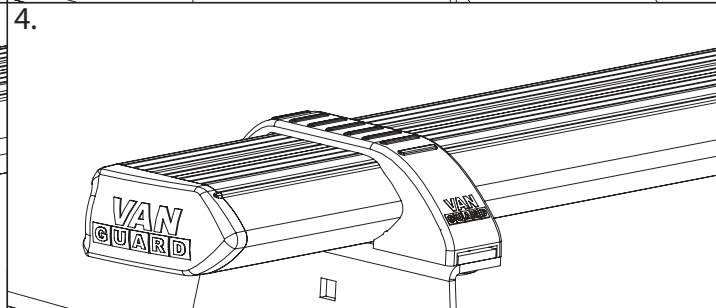
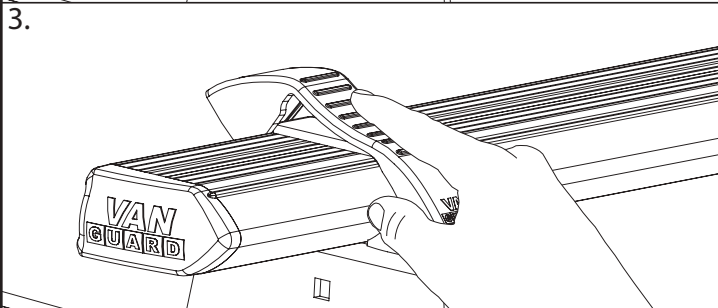
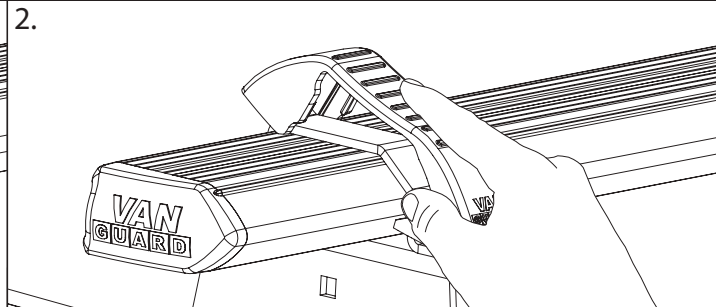
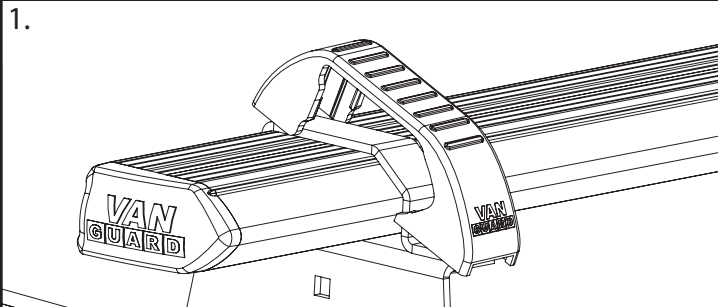


3 Slide the plastic covers on the van roof open to expose the roof fixing rail. If the van roof doesn't have plastic covers use the existing roof rail to clamp the roof brackets to.

Place assembled roof bars onto the vehicles roof and clamp the roof brackets to the vehicles side rail using M6x25 coach bolts, fixing brackets & M6 serrated nuts.



4 Flex the top hat covers over the top hat brackets into position as shown below. Ensure that the covers click into the front and rear of the top hat brackets.



5 Once in position tighten all fixings to 8Nm. Periodically check all fixings.



TIGHTEN TO 8Nm

NOTES:

Tested to 80kg per bar. Maximum load is in accordance with the vehicle manufacturer's load bearing capacity (refer to the vehicle handbook). Do not exceed this limit.

Periodically check all fixings.

Retain these instructions for future reference.