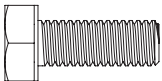
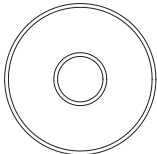
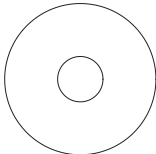
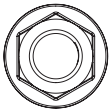
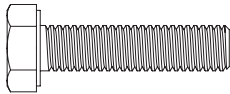
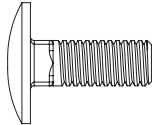


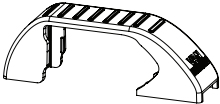
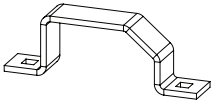
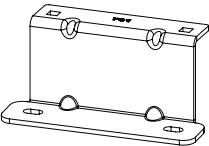
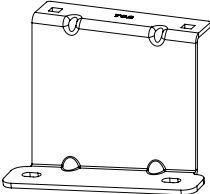
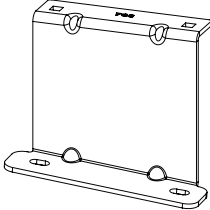
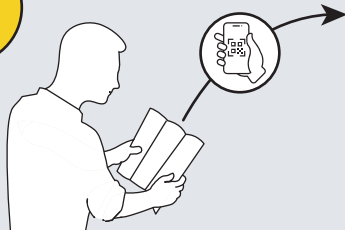
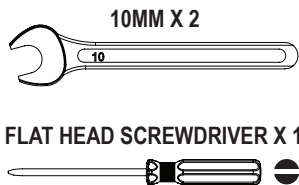


IN8085

ULTI Bars - X2

<p>FX4012 X8 (M6X16)</p> 	<p>FX4013 X16 (M6)</p> 	<p>FX4014 X16 (RUBBER)</p> 	<p>FX4016 X16 (M6)</p> 	<p>FX4021 X8 (M6X25)</p> 	<p>FX4042 X8 (M6X16)</p> 	<p>MA6019 X2</p> 	<p>MA6020 X4</p> 
<p>MA6065 X4</p> 	<p>ME0203 X4</p> 	<p>ME0731 X2</p> 	<p>ME0732 X1</p> 	<p>ME0733 X1</p> 			

TOOLS REQUIRED

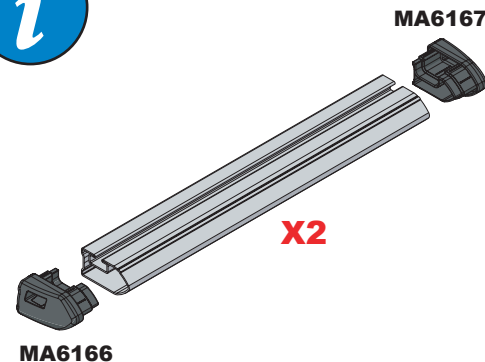


EN - SAFETY AND PRODUCT INFORMATION
 DE - SICHERHEITS- UND PRODUKTINFORMATIONEN
 FR - INFORMATIONS DE SÉCURITÉ ET DU PRODUIT
 NL - VEILIGHEIDS- EN PRODUCTINFORMATIE
 ES - INFORMACIÓN DE SEGURIDAD Y DEL PRODUCTO
 IT - INFORMAZIONI SULLA SICUREZZA E SUL PRODOTTO

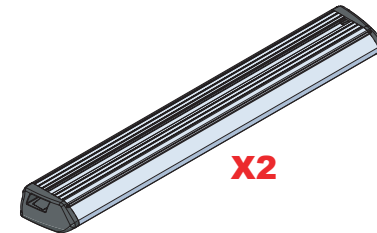
SV - SÄKERHETS- OCH PRODUKTINFORMATION
 DA - SIKKERHEDS- OG PRODUKTINFORMATION
 NO - SIKKERHETS- OG PRODUKTINFORMASJON
 PL - INFORMACJE O BEZPIECZENSTWIE I PRODUKCIE
 CS - INFORMACE O BEZPEČNOSTI A PRODUKTU



Customercare@van-guard.co.uk
UK +44 (0) 1392 368 351



ULTI Bar Trade
(Steel)



ULTI Bar+
(Aluminium)

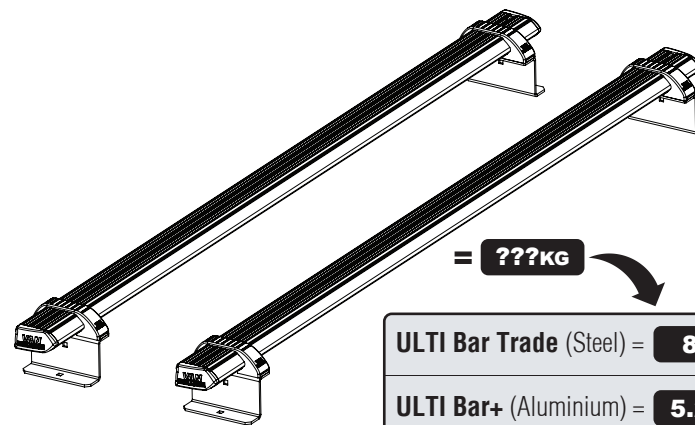
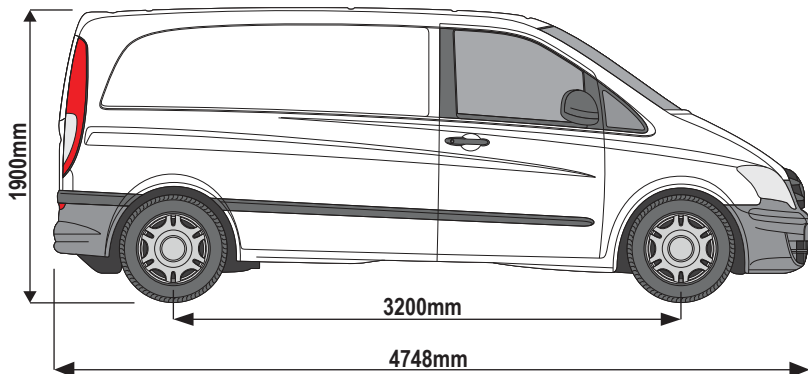
This FITTING INSTRUCTION is the property of VAN GUARD ACCESSORIES LTD. and must not be used for manufacturing purposes, copied nor communicated in any way to third parties without written permission from VAN GUARD ACCESSORIES LTD.

IN8085_G (CN:00183)

Van Guard Accessories Ltd
 Fair Oak Close, Exeter Airport Business Park,
 Exeter, Devon, EX5 2UL
www.van-guard.co.uk

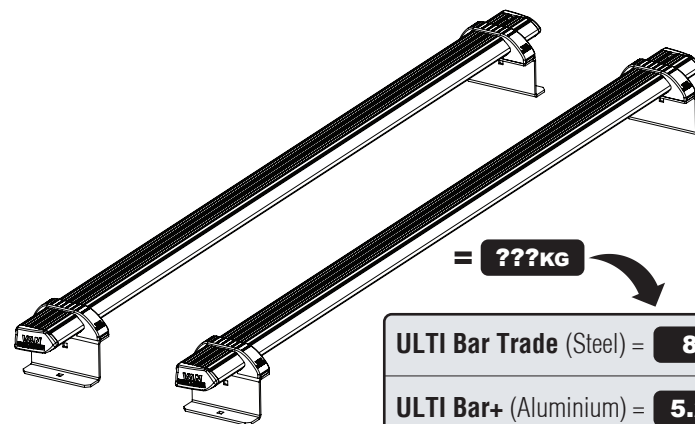
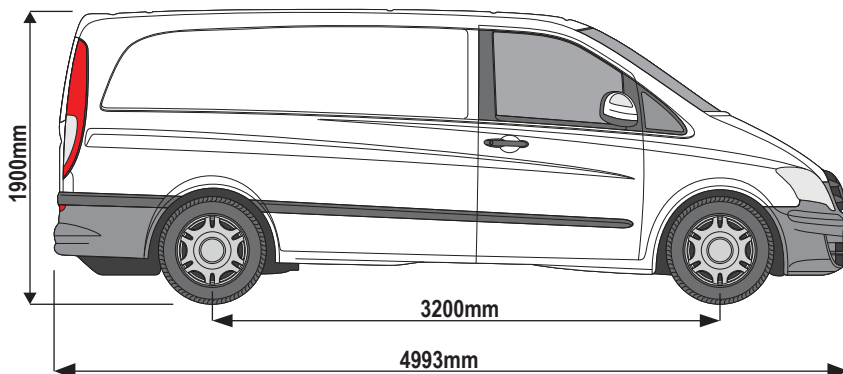
264-2

Vehicle:
Mercedes Vito: 2004 on
Wheel Base: Compact (L1)
Roof Height: Low (H1)
Rear Doors: Twin / Tailgate



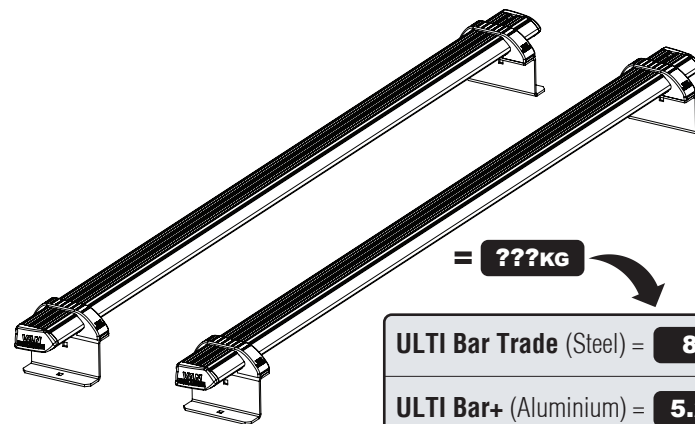
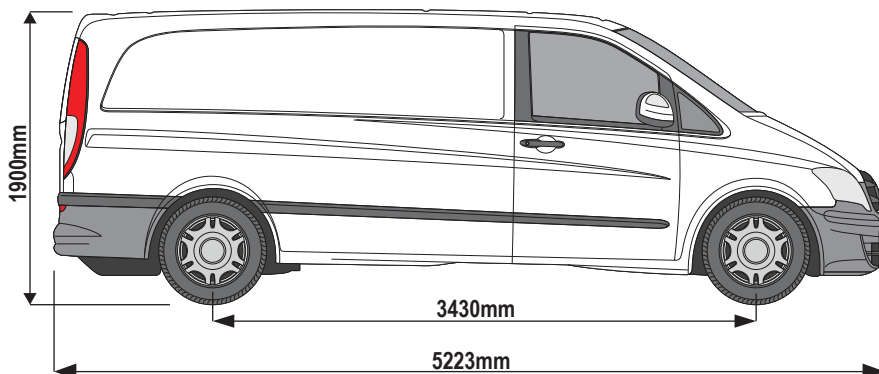
264-2

Vehicle:
Mercedes Vito: 2004 on
Wheel Base: Long (L2)
Roof Height: Low (H1)
Rear Doors: Twin / Tailgate

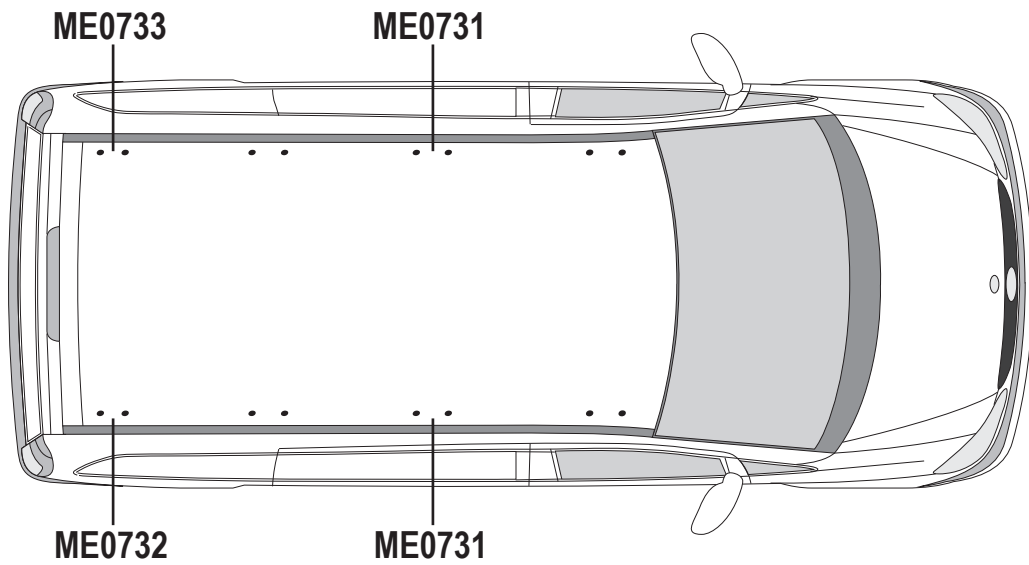


264-2

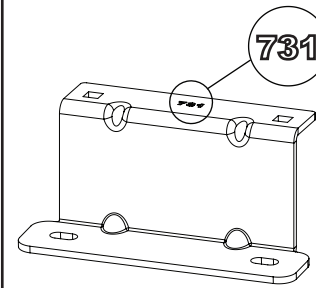
Vehicle:
Mercedes Vito: 2004 on
Wheel Base: Extra Long (L3)
Roof Height: Low (H1)
Rear Doors: Twin / Tailgate



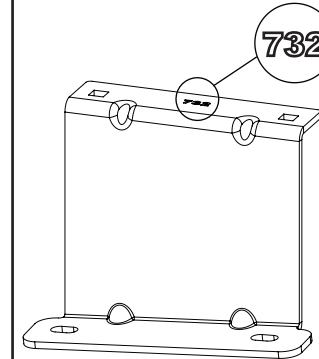
1



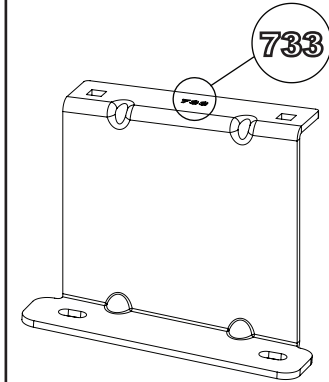
ME0731



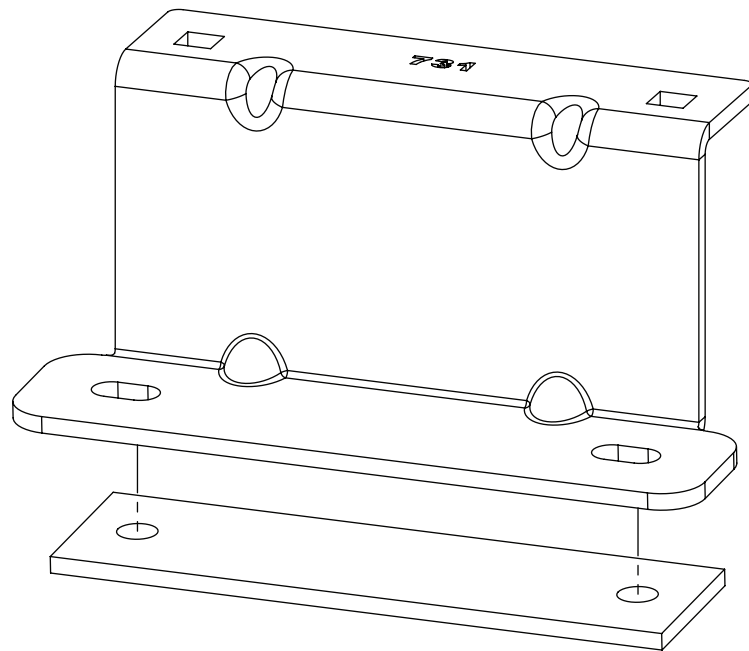
ME0732



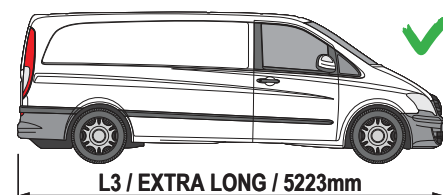
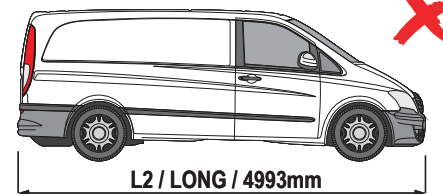
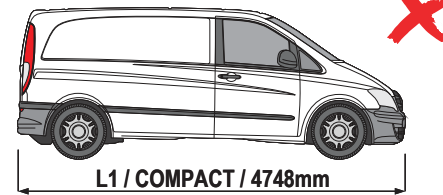
ME0733



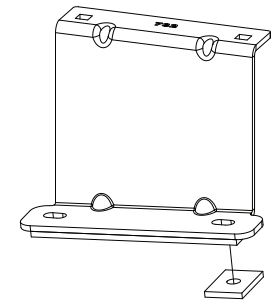
2



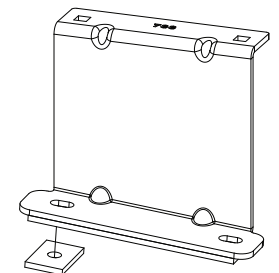
3



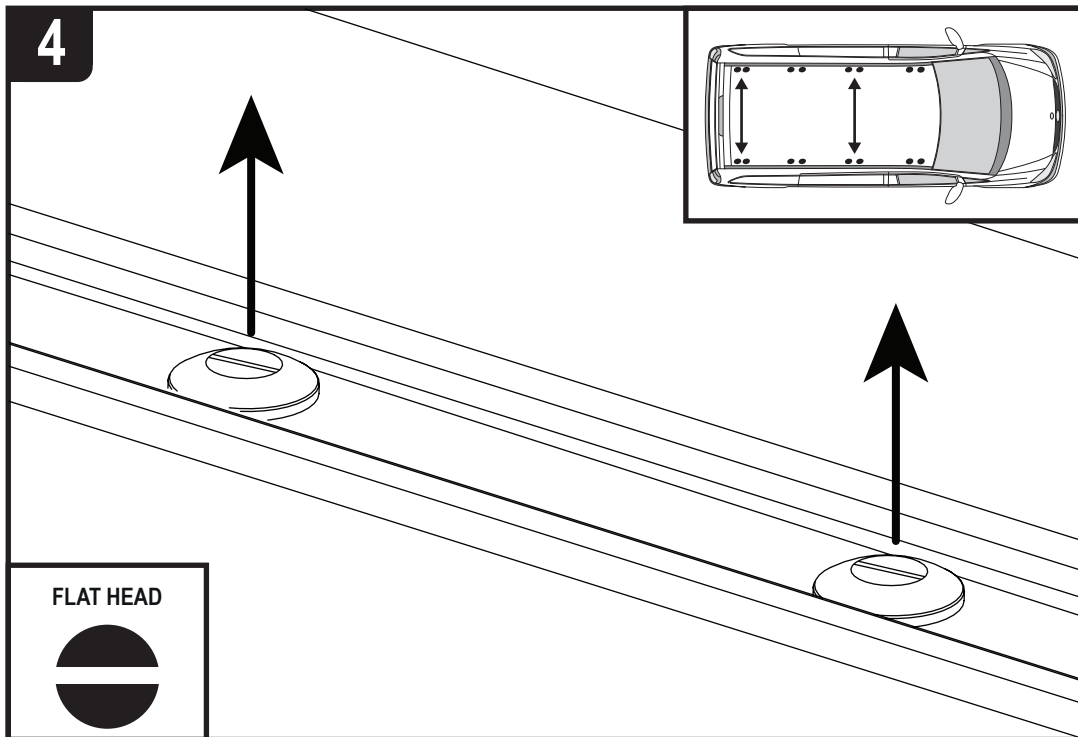
ME0732



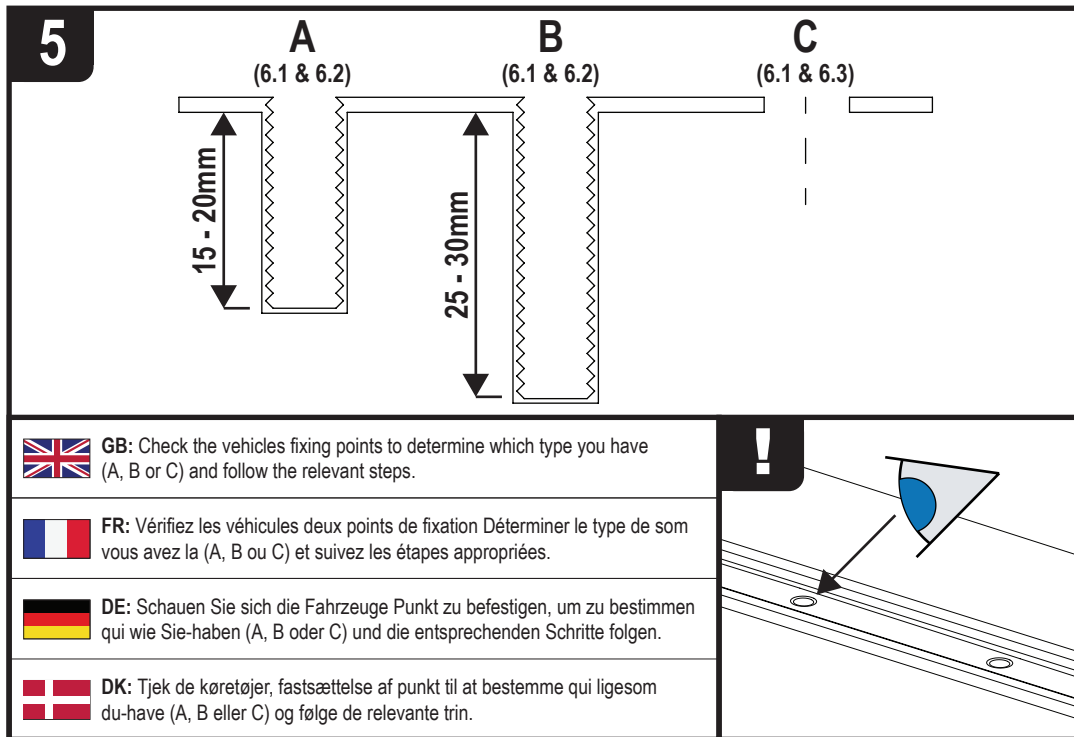
ME0733



4

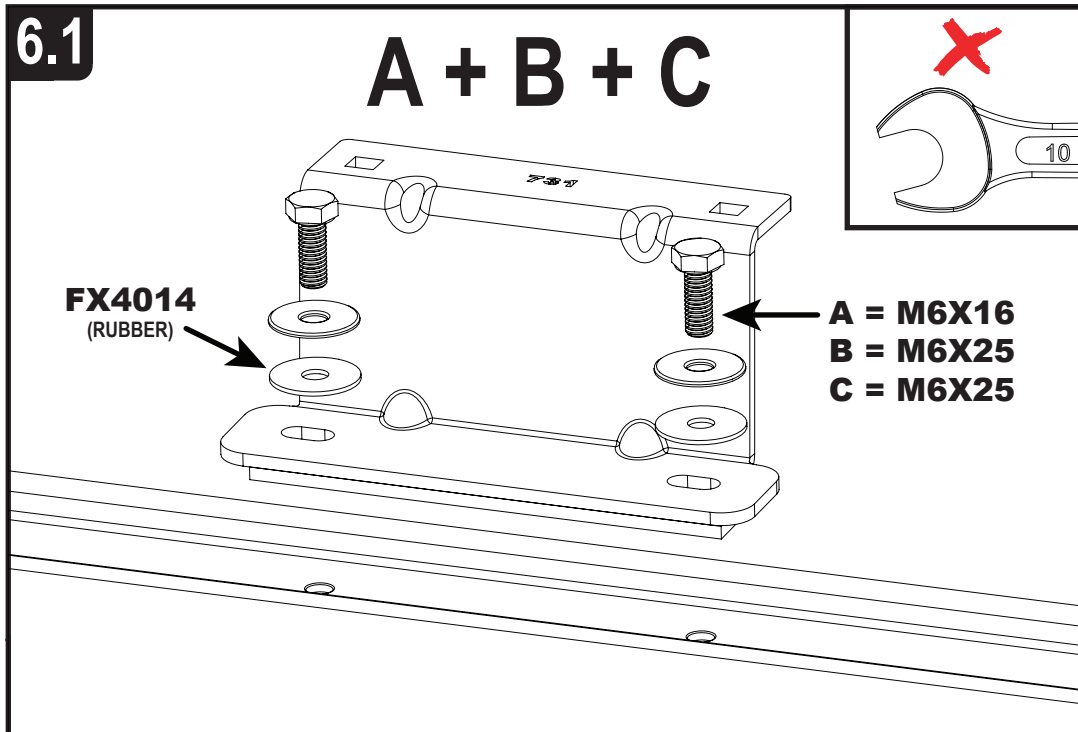


5



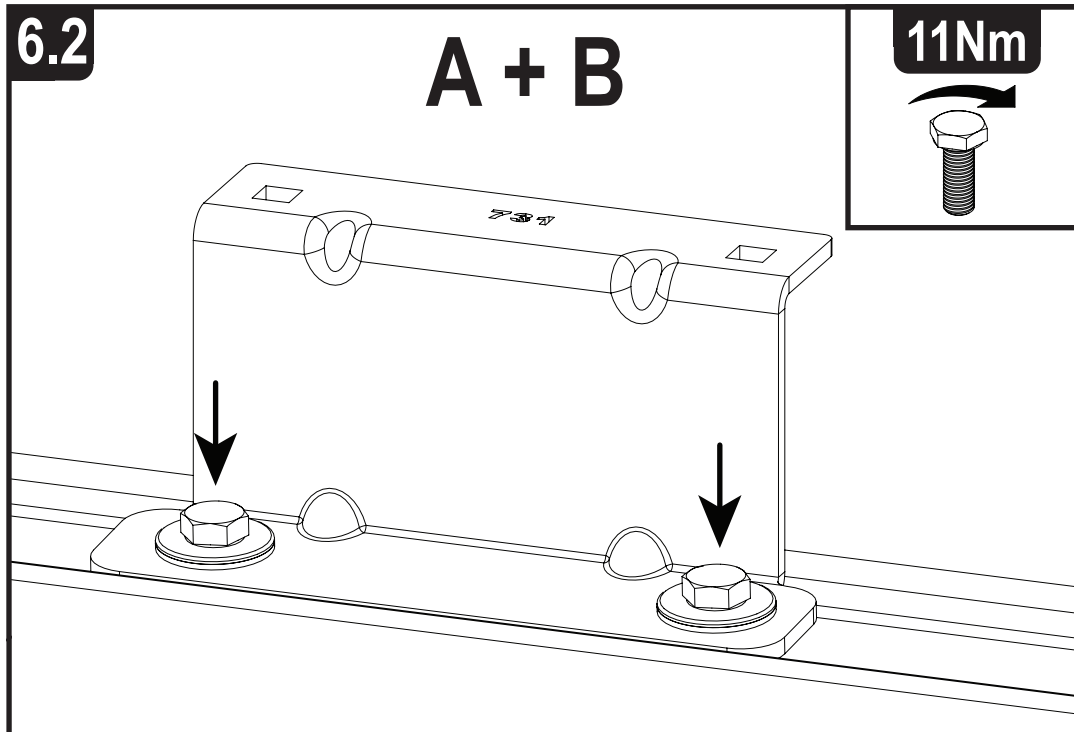
6.1

A + B + C



6.2

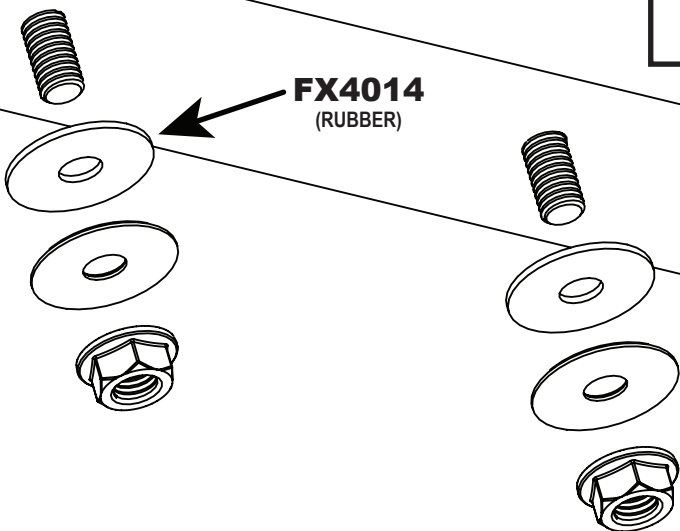
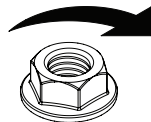
A + B



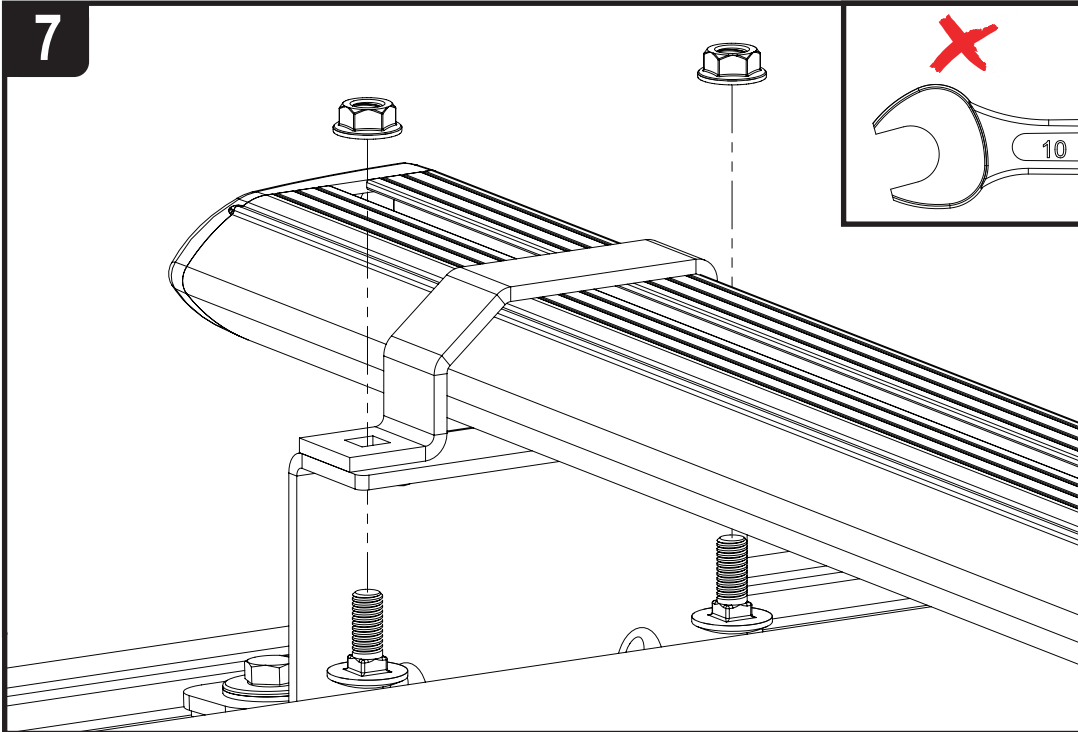
6.3

C

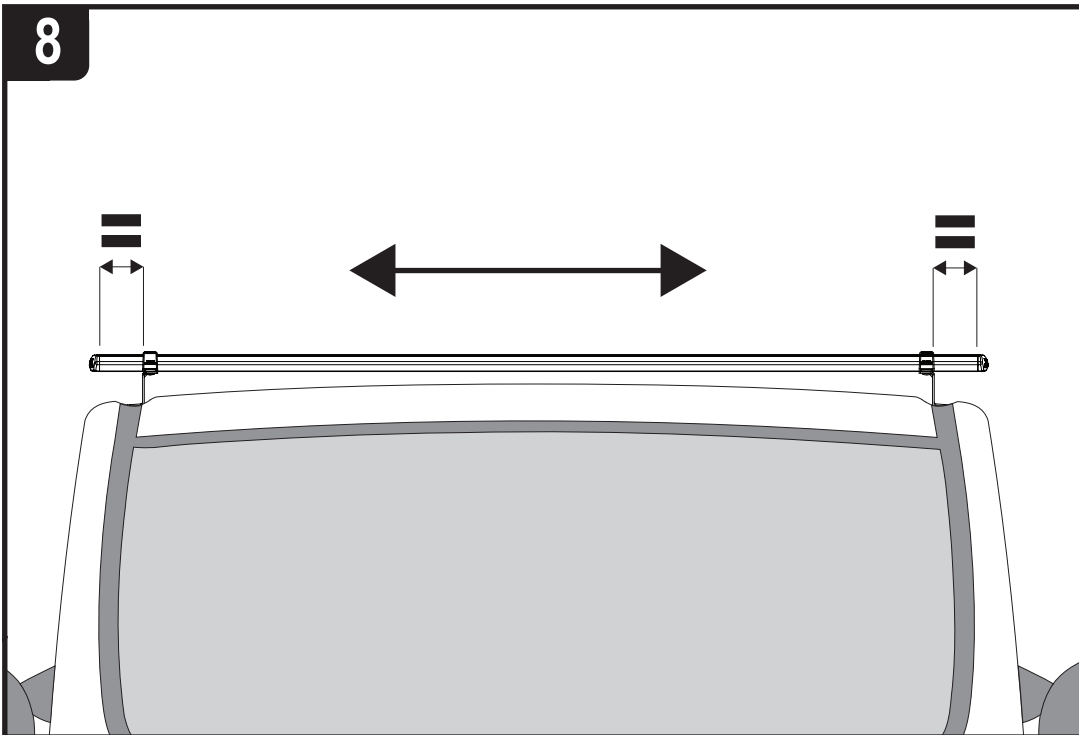
11Nm



7

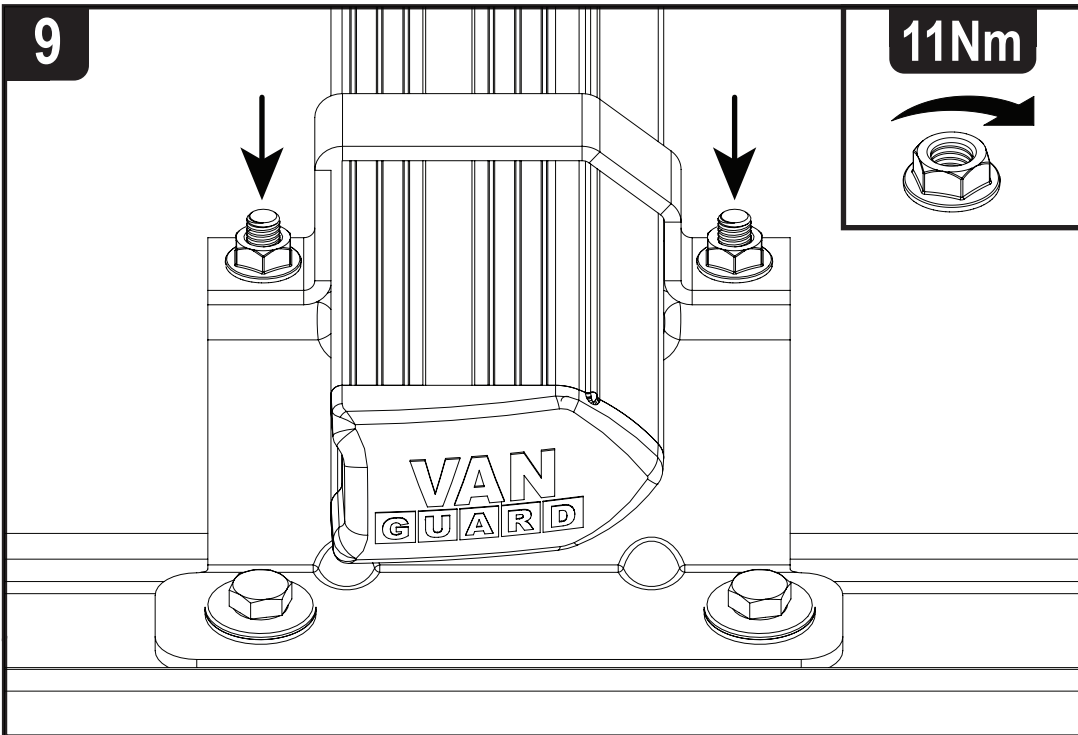


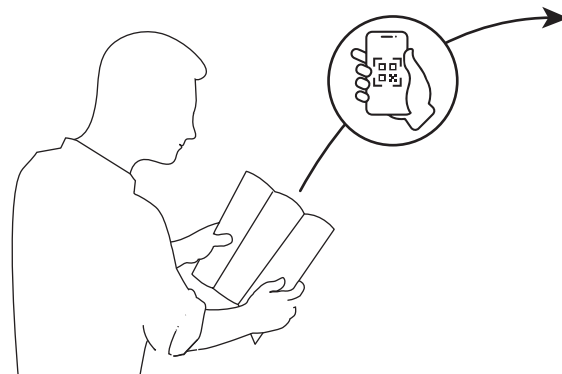
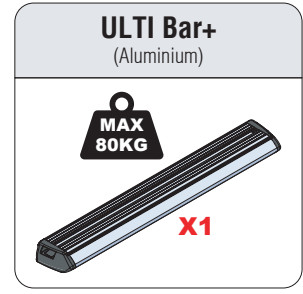
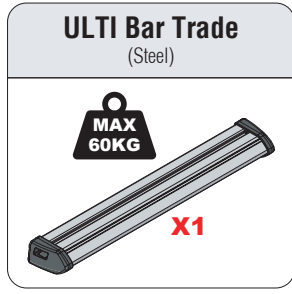
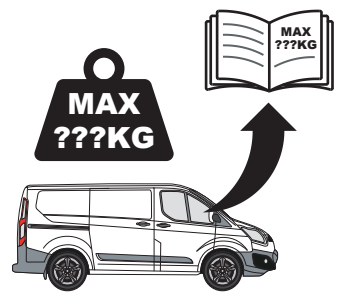
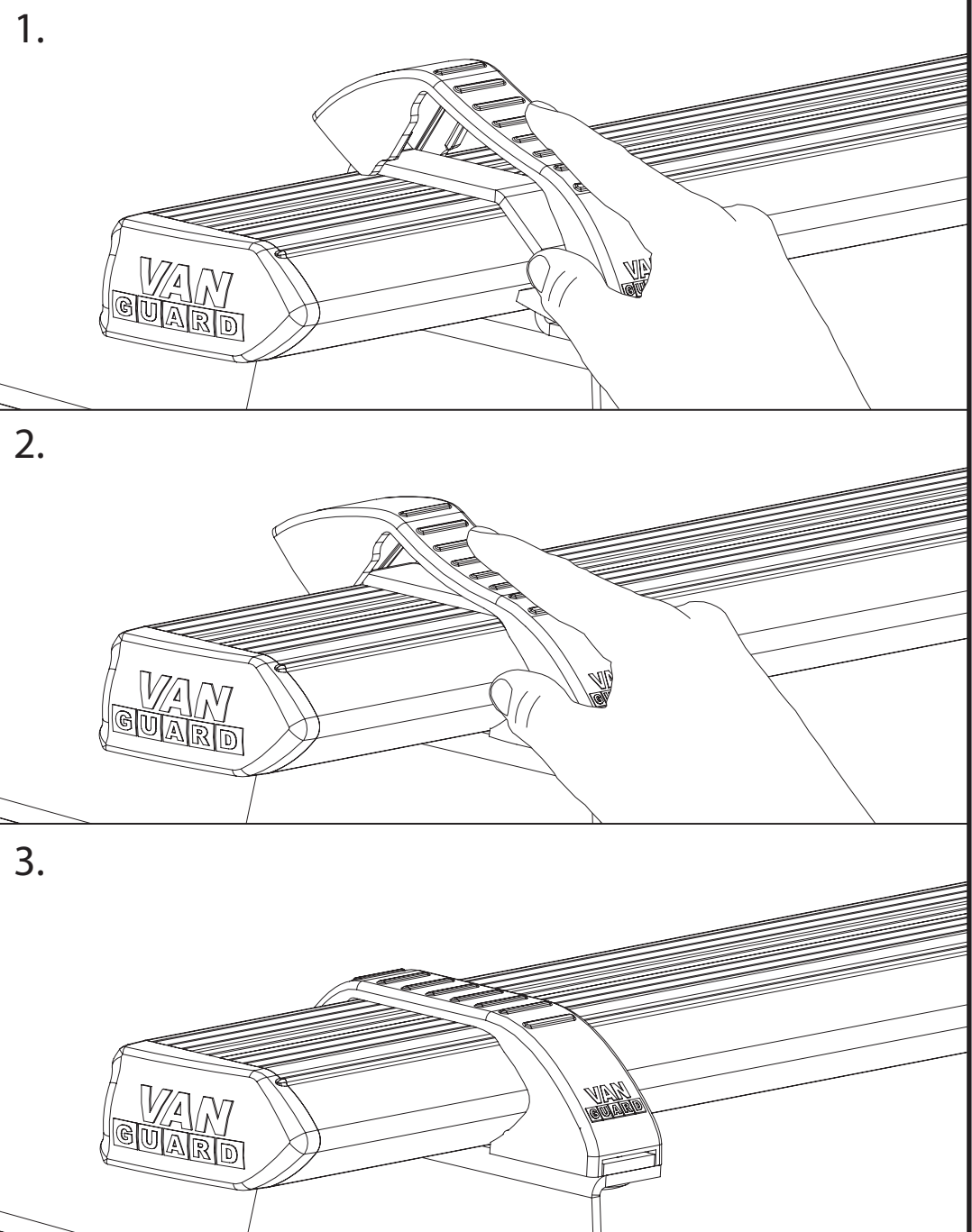
8



9

11Nm





EN - SAFETY AND PRODUCT INFORMATION
 DE - SICHERHEITS- UND PRODUKTINFORMATIONEN
 FR - INFORMATIONS DE SÉCURITÉ ET DU PRODUIT
 NL - VEILIGHEIDS- EN PRODUCTINFORMATIE
 ES - INFORMACIÓN DE SEGURIDAD Y DEL PRODUCTO
 IT - INFORMAZIONI SULLA SICUREZZA E SUL PRODOTTO

SV - SÄKERHETS- OCH PRODUKTINFORMATION
 DA - SIKKERHEDS- OG PRODUKTINFORMATION
 NO - SIKKERHETS- OG PRODUKTINFORMASJON
 PL - INFORMACJE O BEZPIECZENSTWIE I PRODUKCJE
 CS - INFORMACE O BEZPEČNOSTI A PRODUKTU