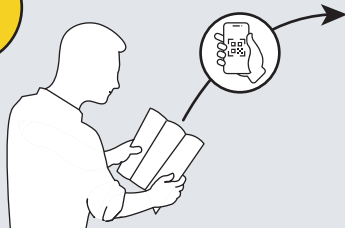


# IN8113

## ULTI Bars - X3

<b>FX4010 X2</b> (M6)	<b>FX4013 X6</b> (M6X20)	<b>FX4014 X6</b> (RUBBER)	<b>FX4015 X6</b> (M6X30)		<b>FX4016 X16</b> (M6)	<b>FX4037 X4</b> (M6X25)	<b>FX4042 X12</b> (M6X16)	<b>MA6018 X6</b>	<b>MA6065 X6</b>
<b>ME0203 X6</b>	<b>ME0779 X1</b>	<b>ME0780 X1</b>	<b>ME0781 X1</b>	<b>ME0782 X1</b>	<b>ME0784 X1</b>	<b>ME0785 X1</b>	<b>AS3149 X1</b>	<b>AS3150 X1</b>	

### TOOLS REQUIRED

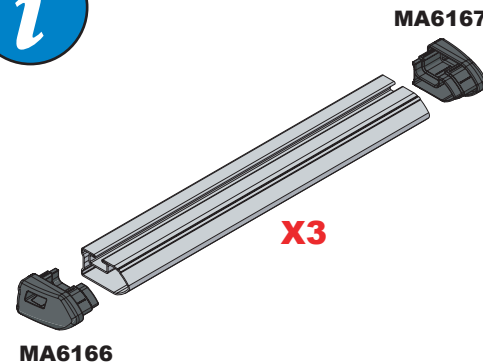


EN - SAFETY AND PRODUCT INFORMATION  
 DE - SICHERHEITS- UND PRODUKTINFORMATIONEN  
 FR - INFORMATIONS DE SÉCURITÉ ET DU PRODUIT  
 NL - VEILIGHEIDS- EN PRODUCTINFORMATIE  
 ES - INFORMACIÓN DE SEGURIDAD Y DEL PRODUCTO  
 IT - INFORMAZIONI SULLA SICUREZZA E SUL PRODOTTO

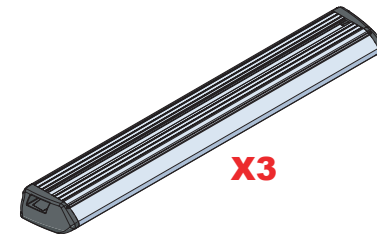
SV - SÄKERHETS- OCH PRODUKTINFORMATION  
 DA - SIKKERHEDS- OG PRODUKTINFORMATION  
 NO - SIKKERHETS- OG PRODUKTINFORMASJON  
 PL - INFORMACJE O BEZPIECZENSTWIE I PRODUKCIE  
 CS - INFORMACE O BEZPEČNOSTI A PRODUKTU



**Customercare@van-guard.co.uk**  
**UK +44 (0) 1392 368 351**



**ULTI Bar Trade**  
(Steel)



**ULTI Bar+**  
(Aluminium)

This FITTING INSTRUCTION is the property of VAN GUARD ACCESSORIES LTD. and must not be used for manufacturing purposes, copied nor communicated in any way to third parties without written permission from VAN GUARD ACCESSORIES LTD.

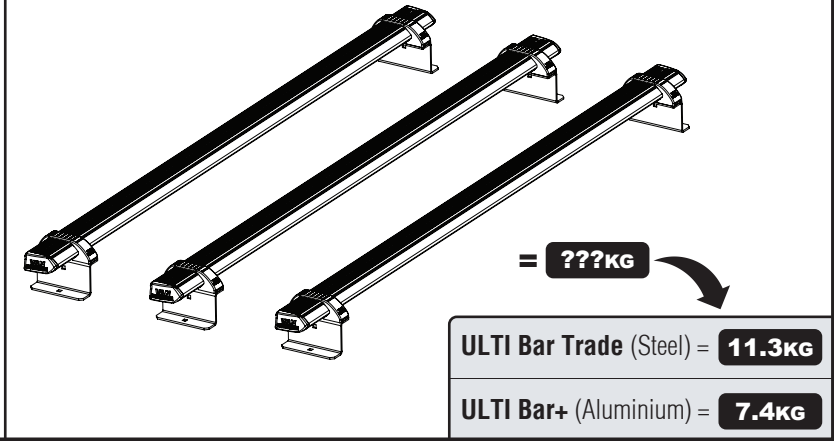
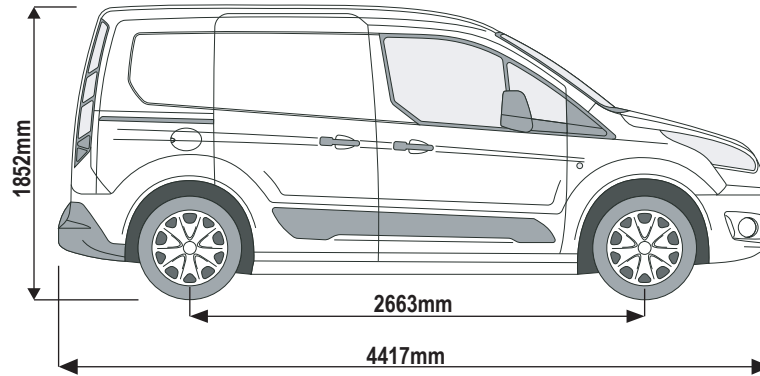
IN8113\_E (CN:00183)

Van Guard Accessories Ltd  
 Fair Oak Close, Exeter Airport Business Park,  
 Exeter, Devon, EX5 2UL

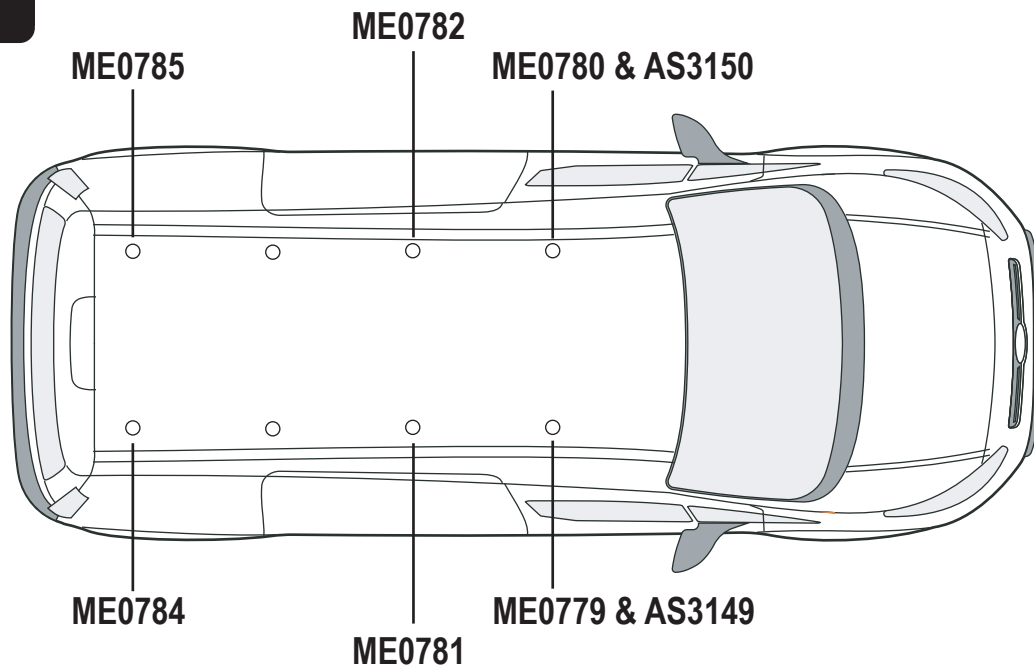
[www.van-guard.co.uk](http://www.van-guard.co.uk)

### 309-3SWB

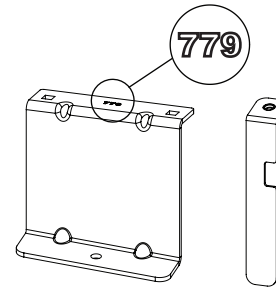
**Vehicle:**  
 Ford Transit Connect: 2014 on  
**Wheel Base:** SWB (L1)  
**Roof Height:** Standard (H1)  
**Rear Doors:** Twin / Tailgate



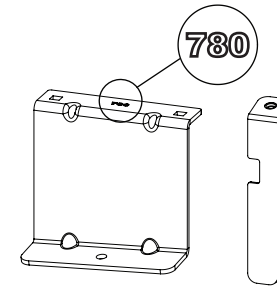
1



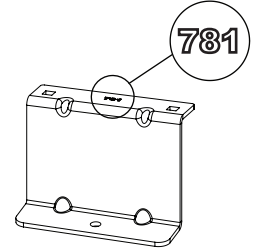
ME0779 & AS3149



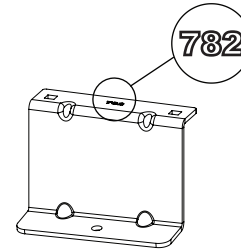
ME0780 & AS3150



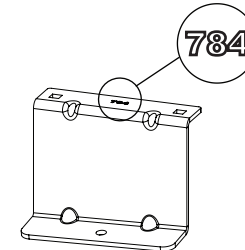
ME0781



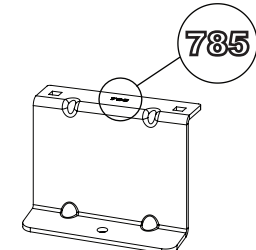
ME0782



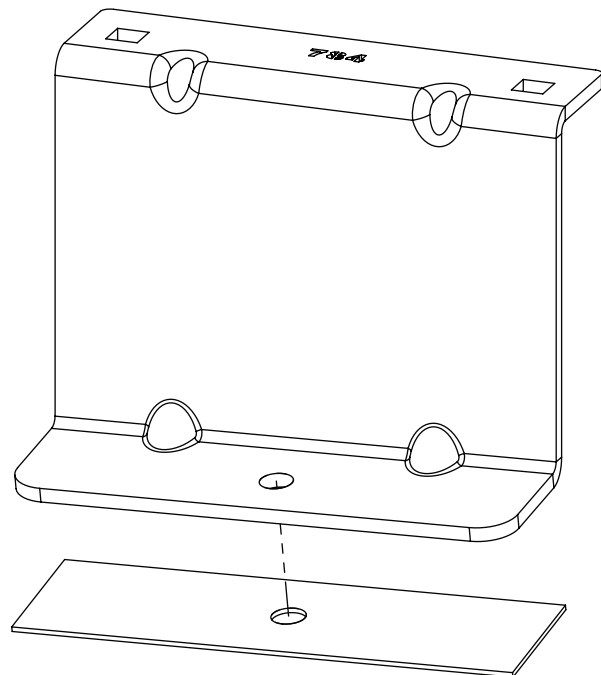
ME0784



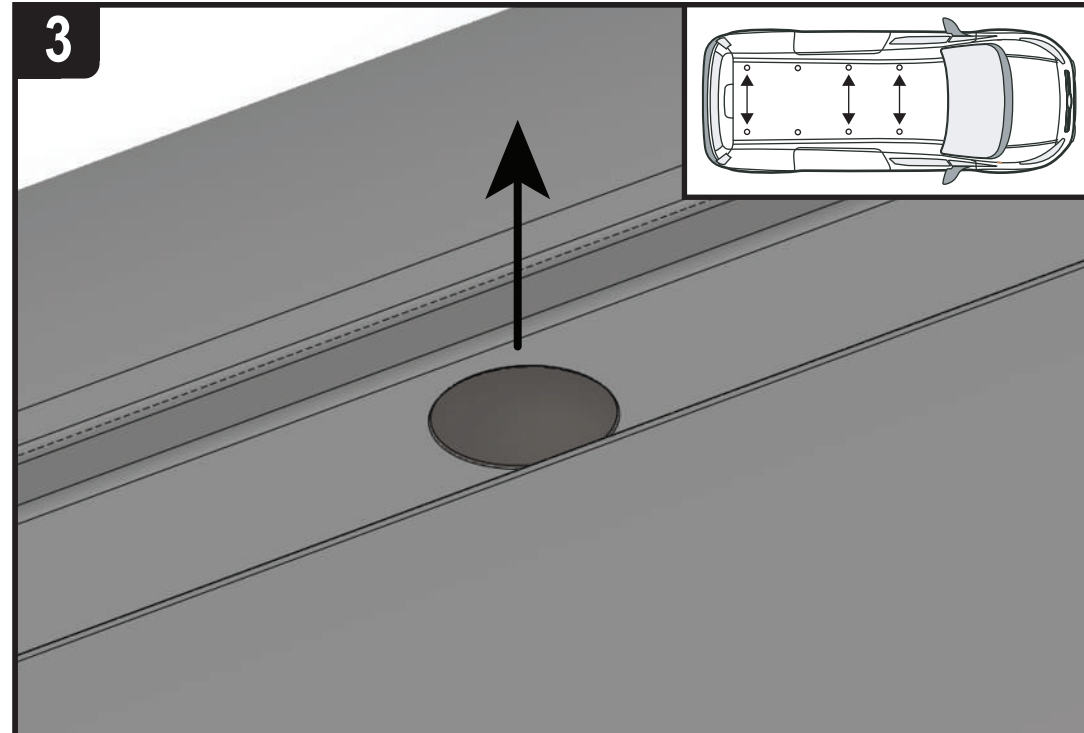
ME0785



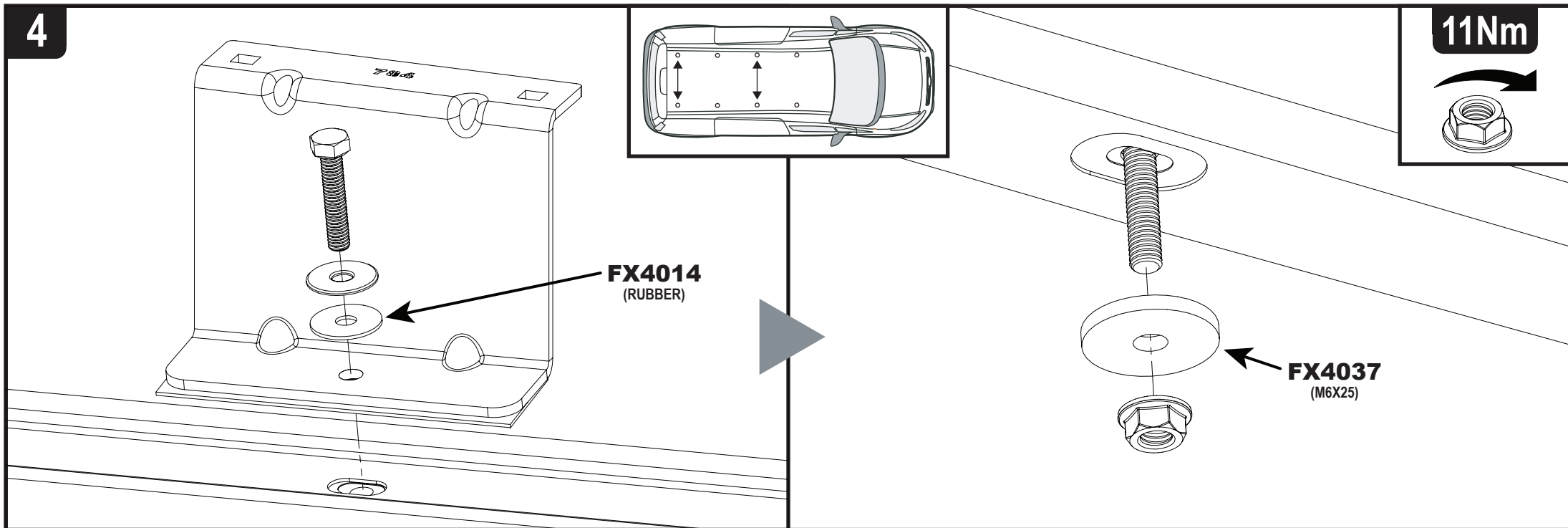
2



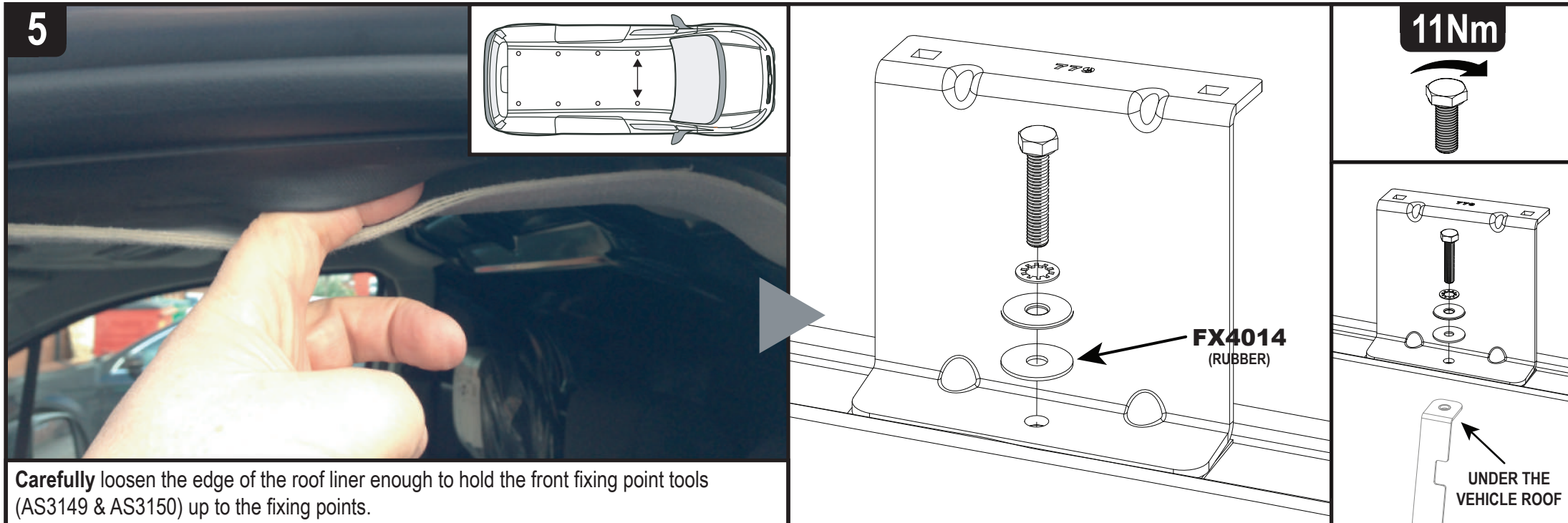
3



4

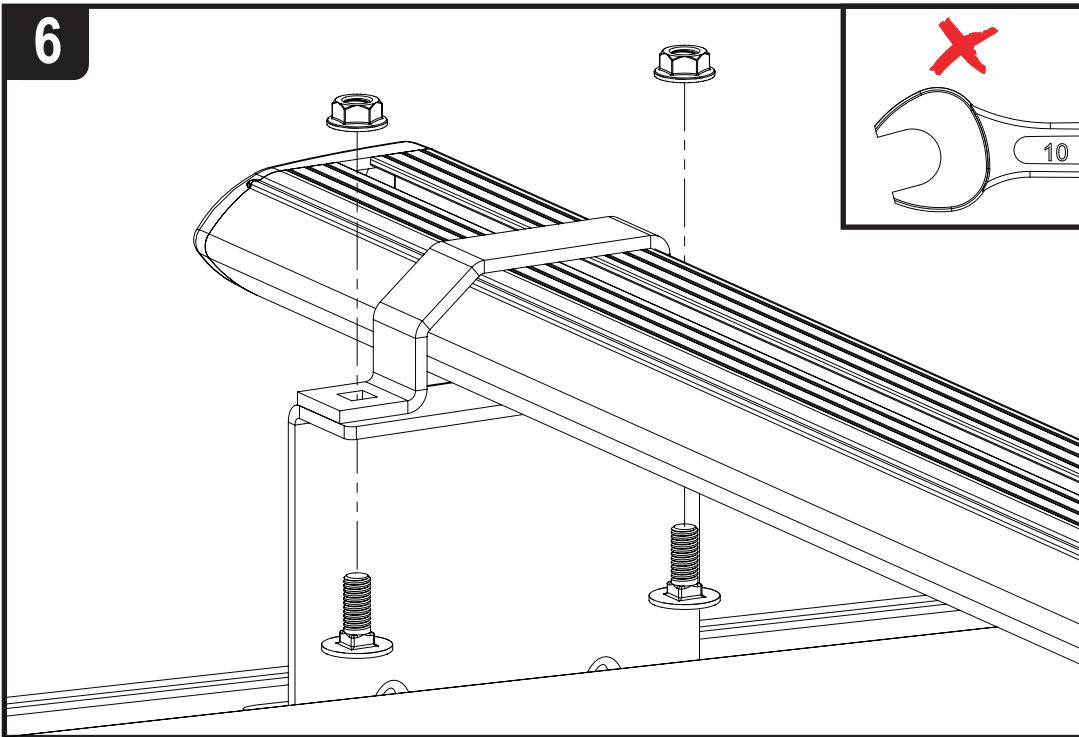


5

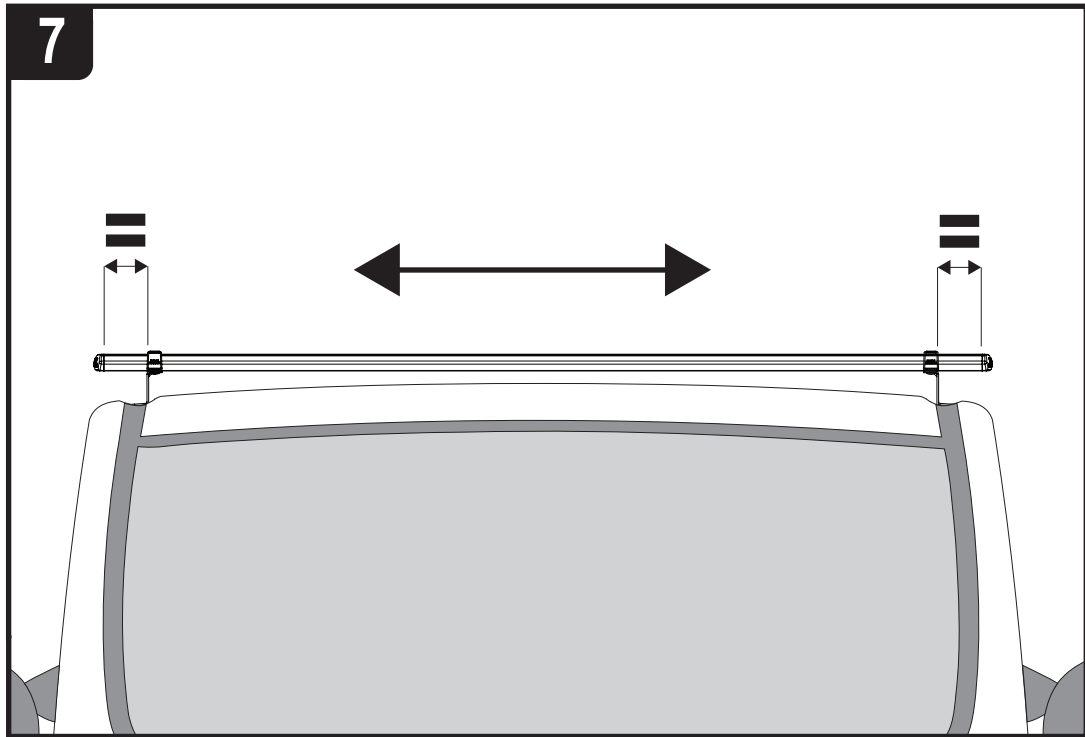


Carefully loosen the edge of the roof liner enough to hold the front fixing point tools (AS3149 & AS3150) up to the fixing points.

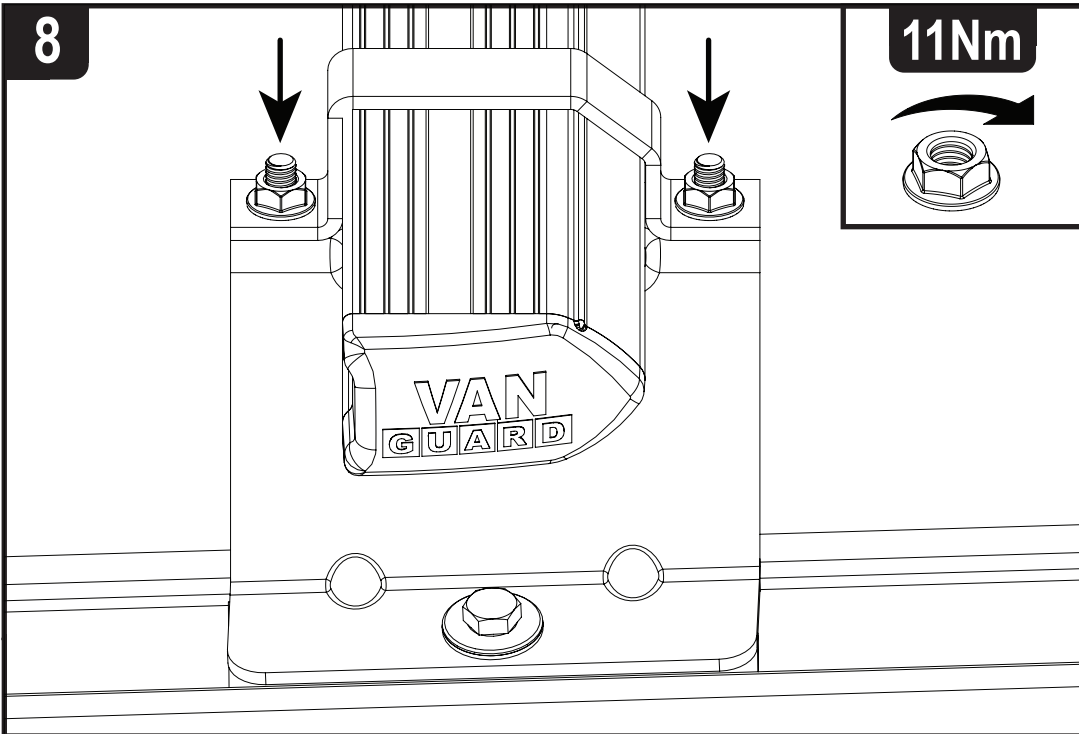
6

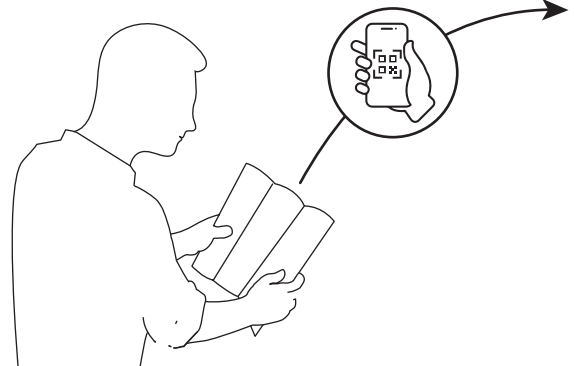
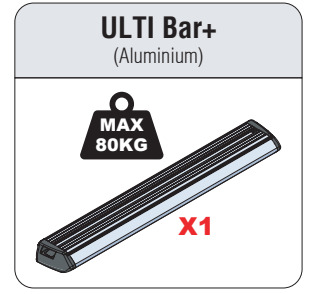
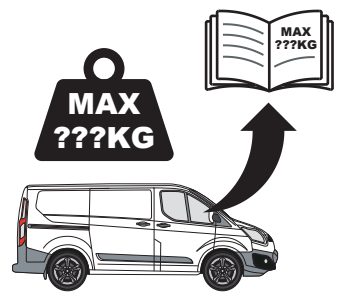
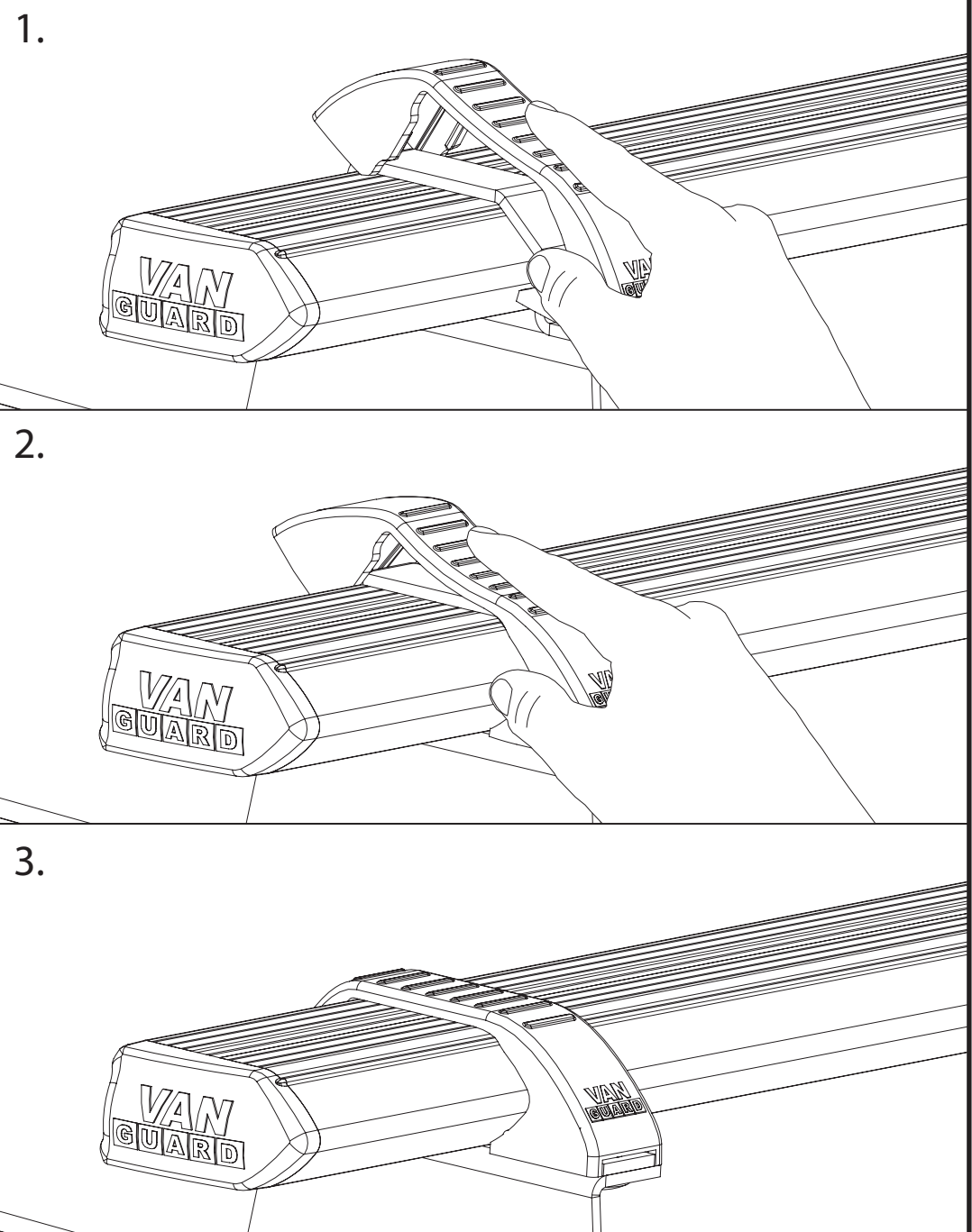


7



8





**EN** - SAFETY AND PRODUCT INFORMATION  
**DE** - SICHERHEITS- UND PRODUKTINFORMATIONEN  
**FR** - INFORMATIONS DE SÉCURITÉ ET DU PRODUIT  
**NL** - VEILIGHEIDS- EN PRODUCTINFORMATIE  
**ES** - INFORMACIÓN DE SEGURIDAD Y DEL PRODUCTO  
**IT** - INFORMAZIONI SULLA SICUREZZA E SUL PRODOTTO

**SV** - SÄKERHETS- OCH PRODUKTINFORMATION  
**DA** - SIKKERHEDS- OG PRODUKTINFORMATION  
**NO** - SIKKERHETS- OG PRODUKTINFORMASJON  
**PL** - INFORMACJE O BEZPIECZENSTWIE I PRODUKCJE  
**CS** - INFORMACE O BEZPEČNOSTI A PRODUKTU