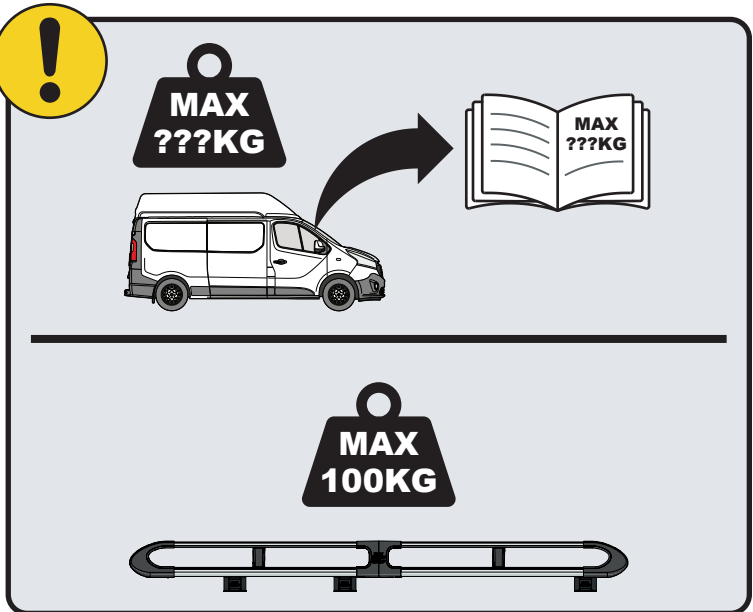
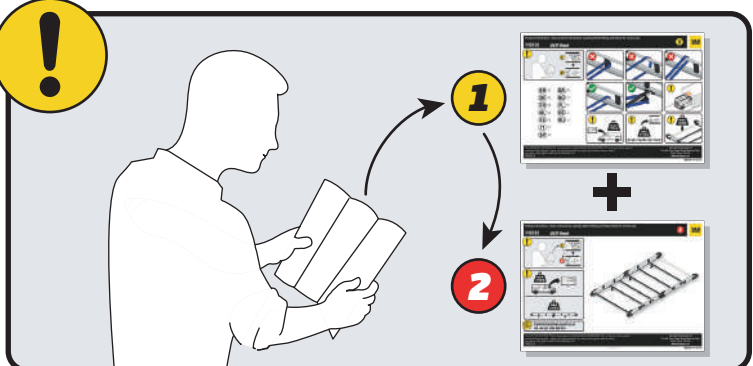




IN8346

ULTI Rack+



 **Customercare@van-guard.co.uk**
UK +44 (0) 1392 368 351

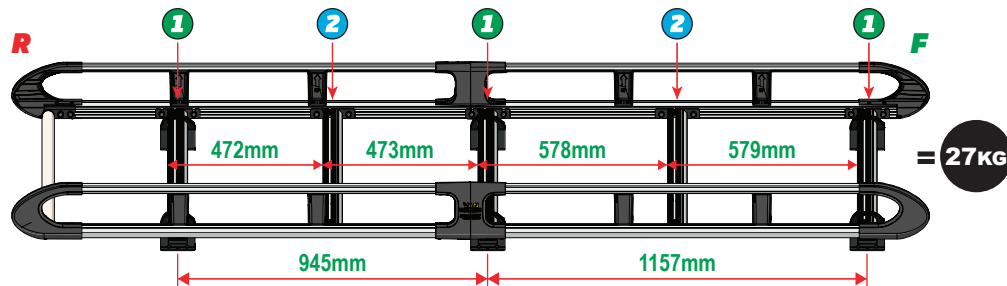
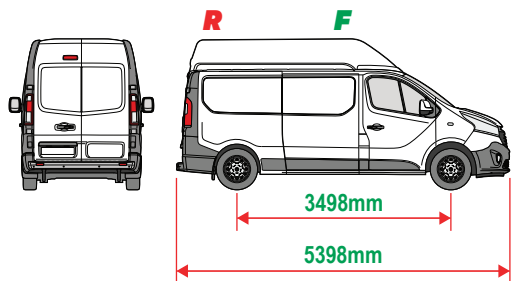


This FITTING INSTRUCTION is the property of VAN GUARD ACCESSORIES LTD. and must not be used for manufacturing purposes, copied nor communicated in any way to third parties without written permission from VAN GUARD ACCESSORIES LTD.
IN8346_B (CN:00356)

Van Guard Accessories Ltd
Fair Oak Close, Exeter Airport Business Park,
Exeter, Devon, EX5 2UL
www.van-guard.co.uk

VGUR-267

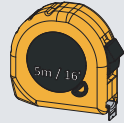
Fiat Talento: 2016-2020
Nissan NV300: 2016-2021
Nissan Primastar: 2022 on
Renault Trafic: 2014 on
Vauxhall Vivaro: 2014-2019
L2H2 (LWB)
Twin Rear Doors



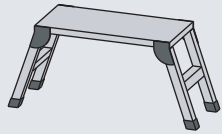
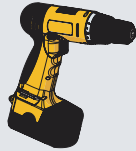
SUPPLIED COMPONENTS - CHECK ALL PARTS ARE PRESENT AND CORRECT BEFORE PROCEEDING (1 OF 2)

TOOLS REQUIRED

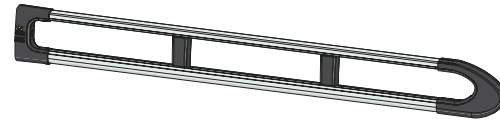
10MM X1



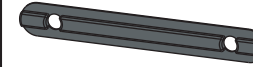
13MM X1



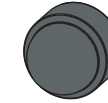
AS3537 X2
(2600 / A)



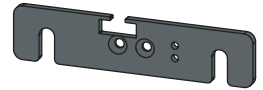
MA6118 X10



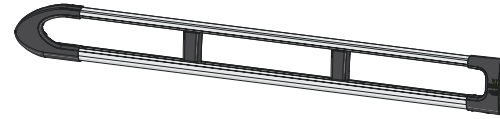
FX4241 X24



ME1622 X2



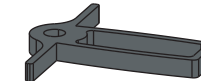
AS3536 X2
(2600 / B)



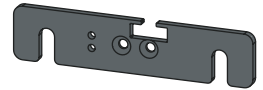
FX4008 X1



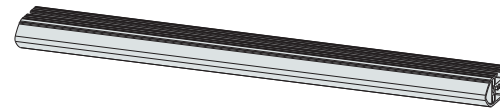
MA6145 X1



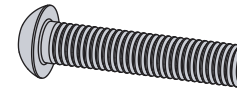
ME1623 X2



ME1627 X5
(1354mm)



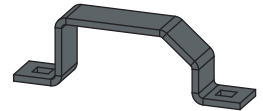
FX4001 X2
(M8X40)



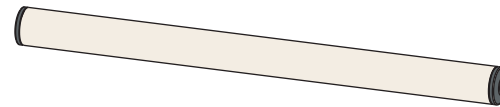
FX4235 X20
(M5X25)



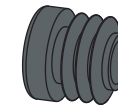
ME0203 X6



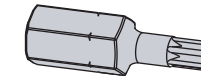
AS3159 X1
(1340mm)



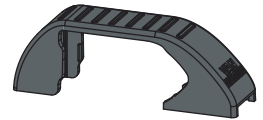
MA6007 X4



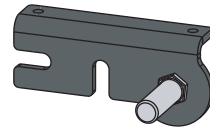
FX4248 X1
(T25)



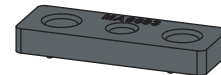
MA6065 X6



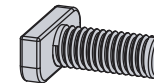
AS3590 X1



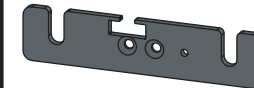
MA6093 X10



FX4239 X24
(M8X20)



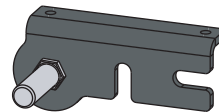
ME1620 X3



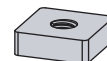
FX4016 X12
(M6)



AS3591 X1



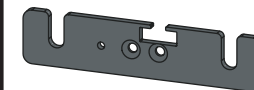
ME0316 X10



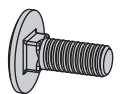
FX4240 X24
(M8)



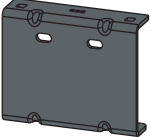
ME1621 X3



FX4042 X12
(M6X16)



ME0692 X6



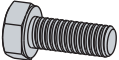
FX4010 X12

(M6)



FX4012 X12

(M6X16)

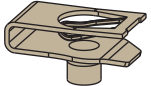


FX4017 X12

(M6)



FX4126 X12



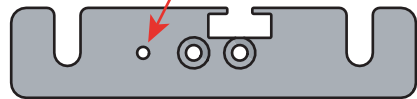
01

1L



X3

1R



X3



2L



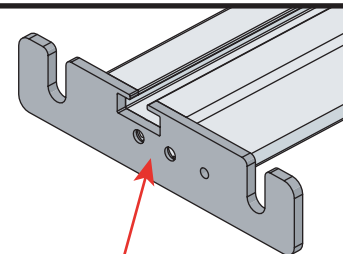
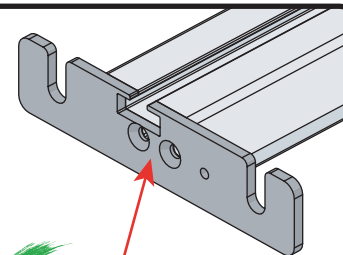
X2

2R



X2

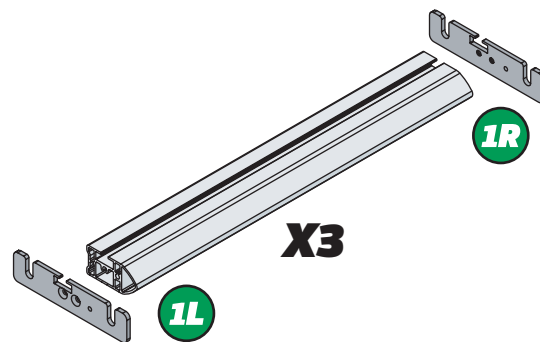
02



1R

X3

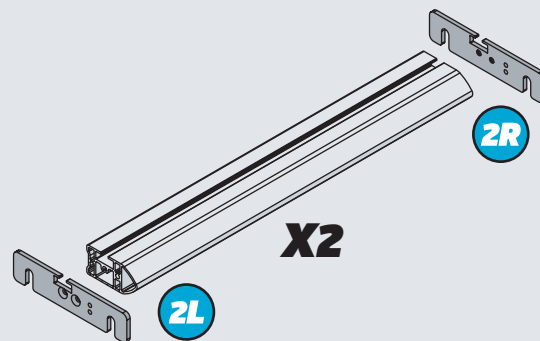
1L



2R

X2

2L



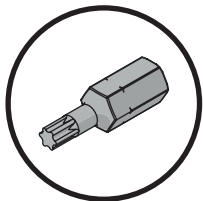
03

01

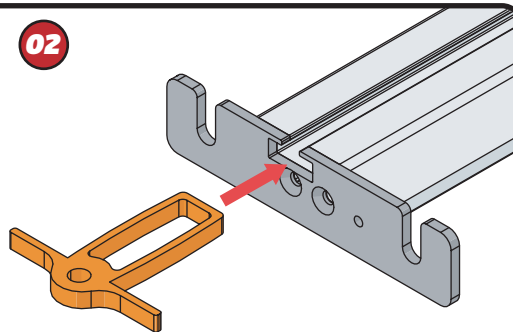
FX4248



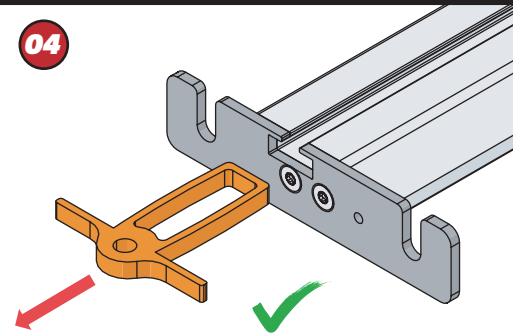
+



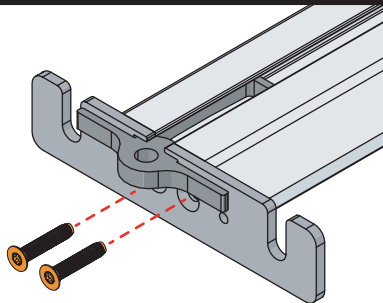
02



04



03



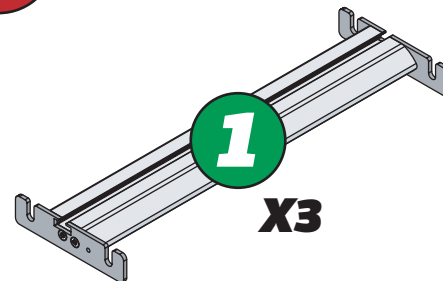
11Nm

04



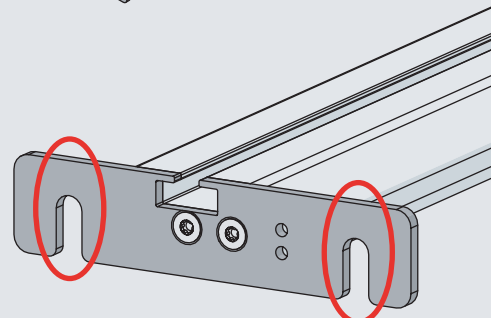
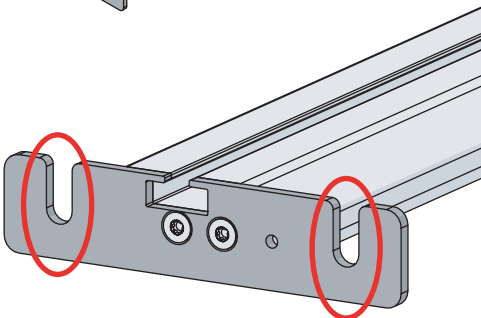
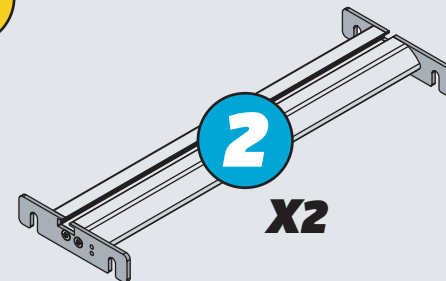
1

X3

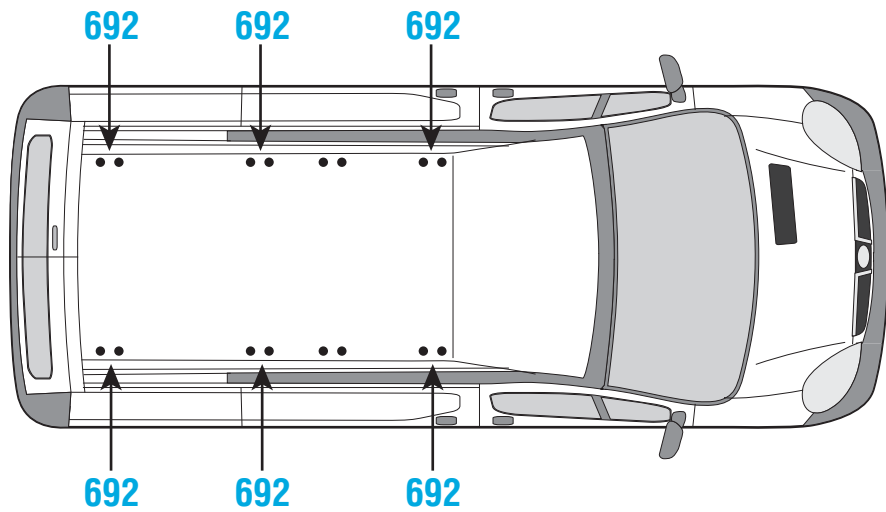


2

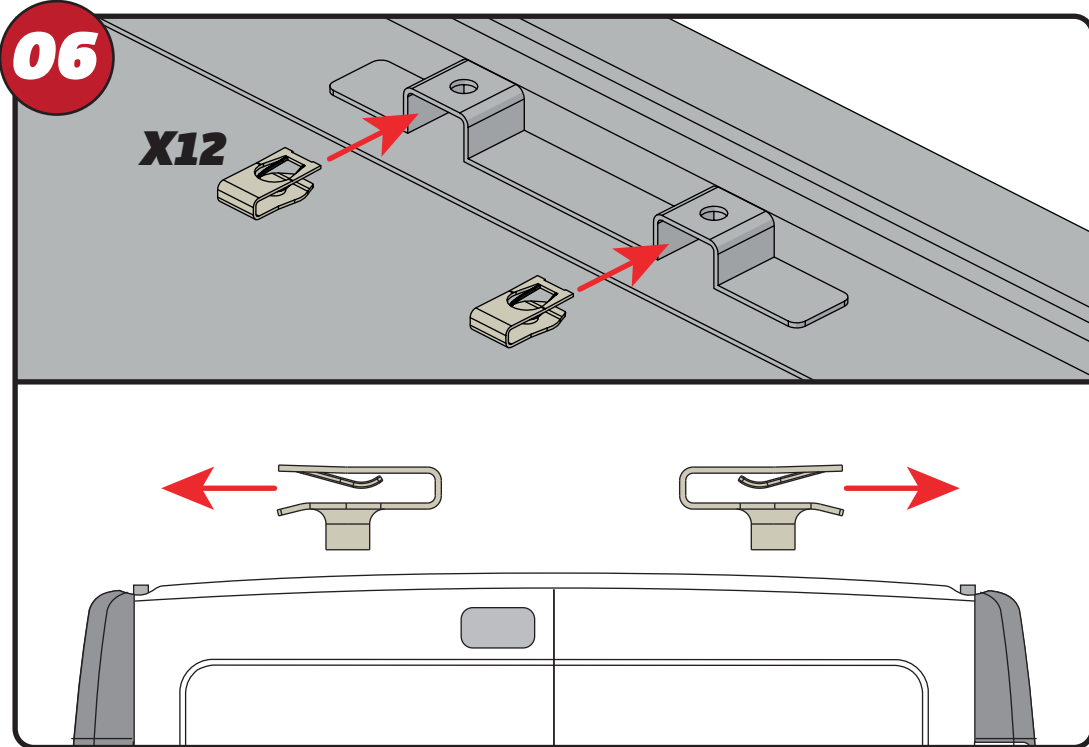
X2



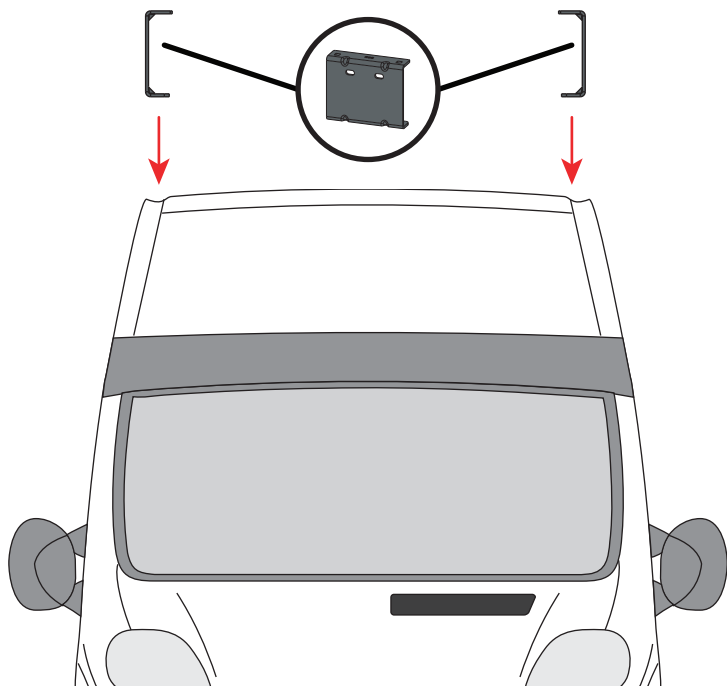
05



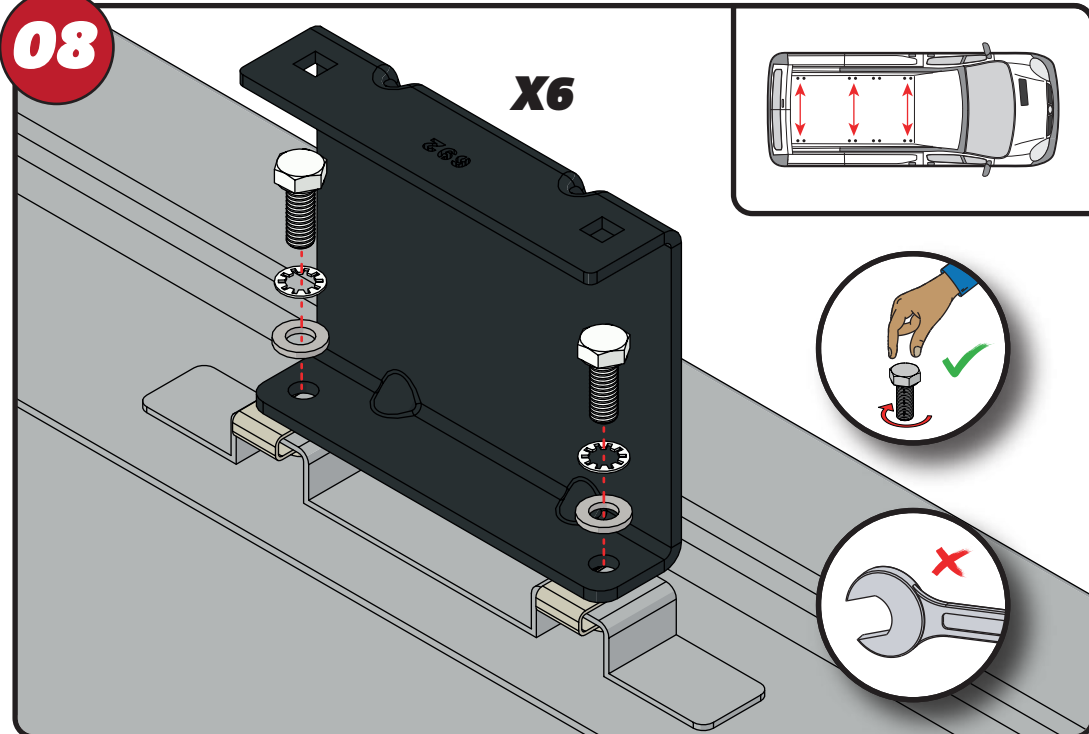
06

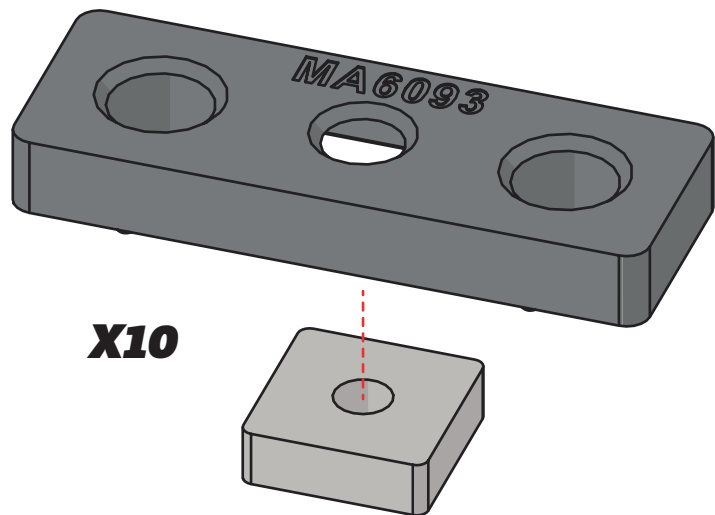
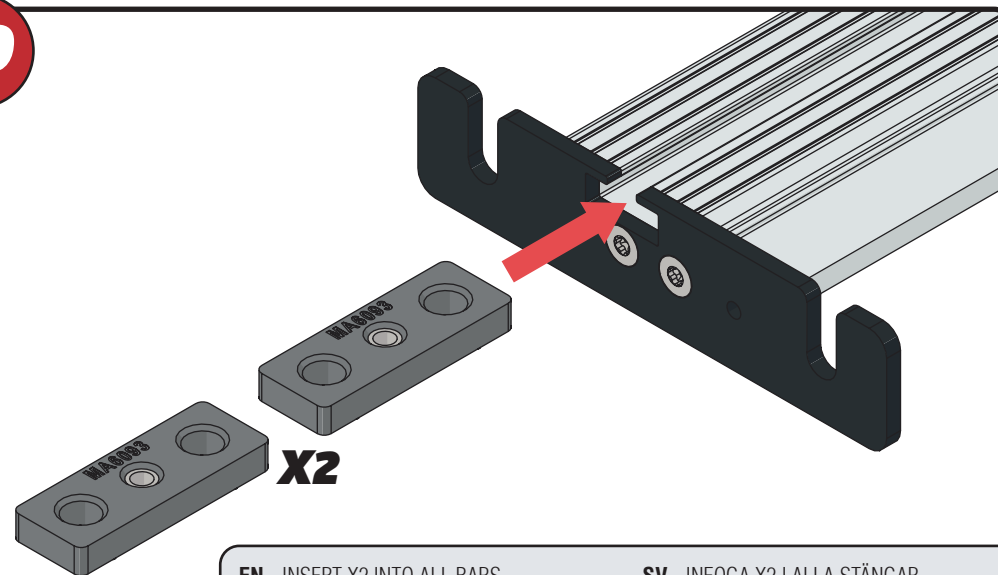


07



08



09**10**

EN - INSERT X2 INTO ALL BARS

DE - X2 IN ALLE STANGEN EINFÜGEN

FR - INSÉRER X2 DANS TOUTES LES BARRES

NL - PLAATS X2 IN ALLE BARS

ES - INSERTAR X2 EN TODAS LAS BARRAS

IT - INSERIRE X2 IN TUTTE LE BARRE

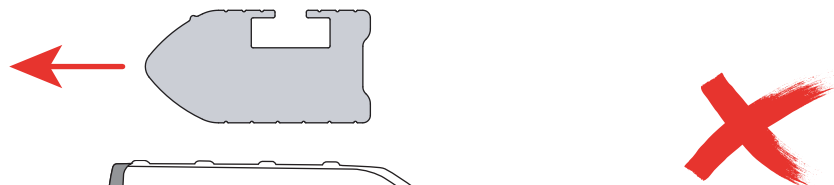
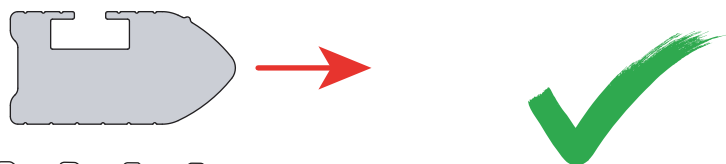
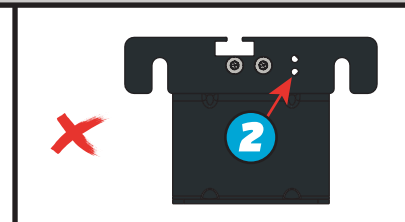
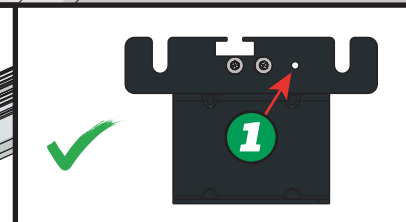
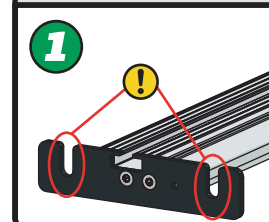
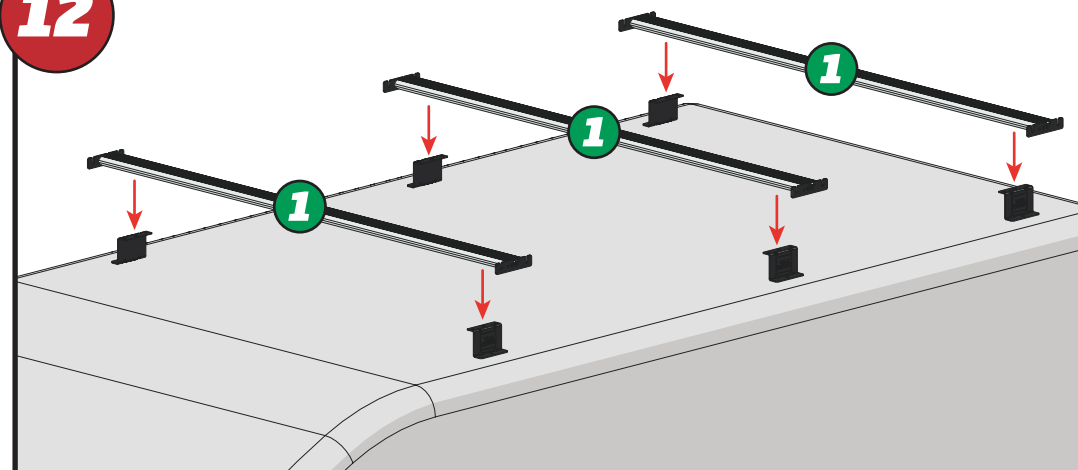
SV - INFOGA X2 I ALLA STÄNGAR

DA - INDSÆT X2 I ALLE STÆNGER

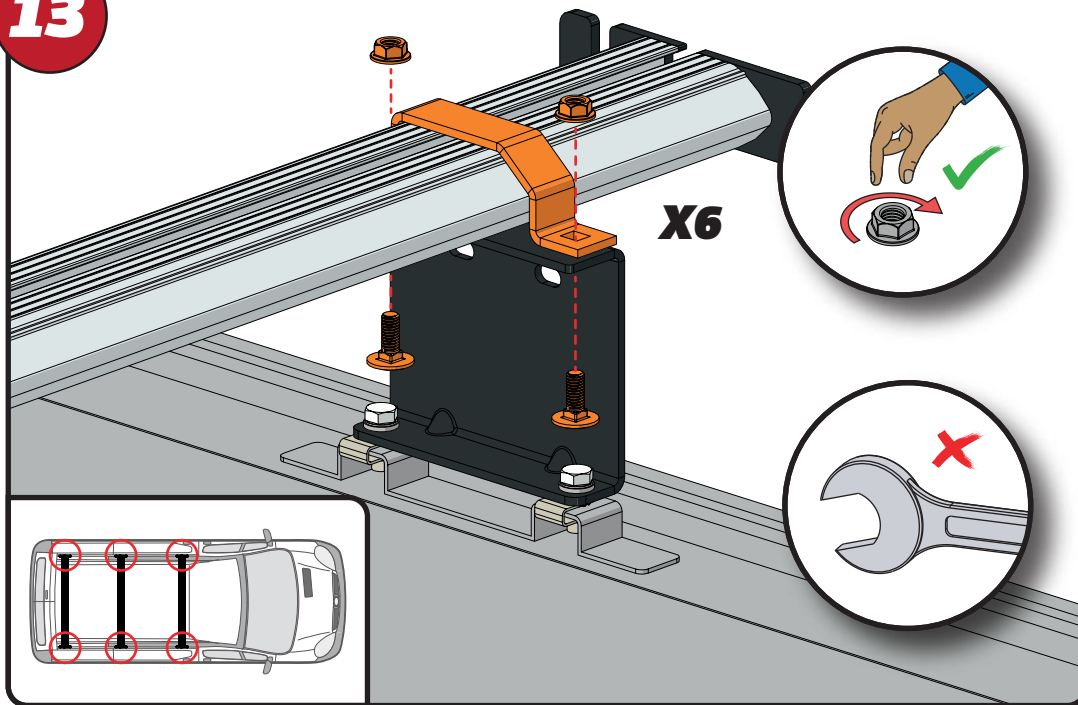
NO - SETT X2 INN I ALLE TAKSTENGER

PL - WSTAW X2 DO WSZYSTKICH PRĘTÓW

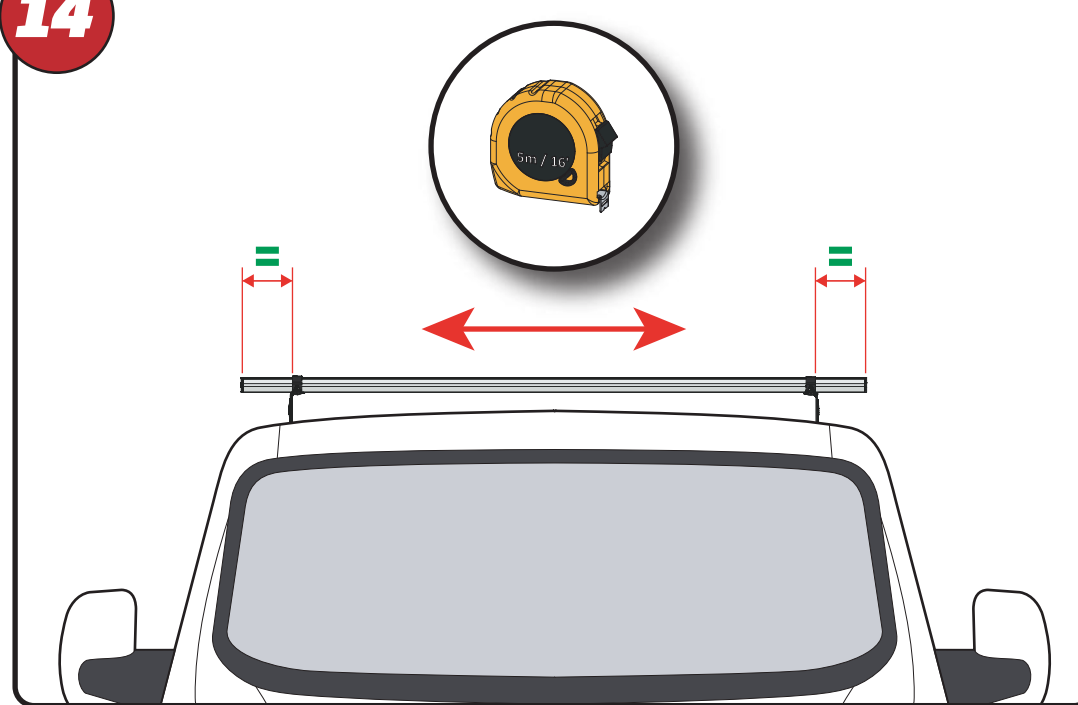
CS - VLOŽTE X2 DO VŠECH TYČÍ

11**12**

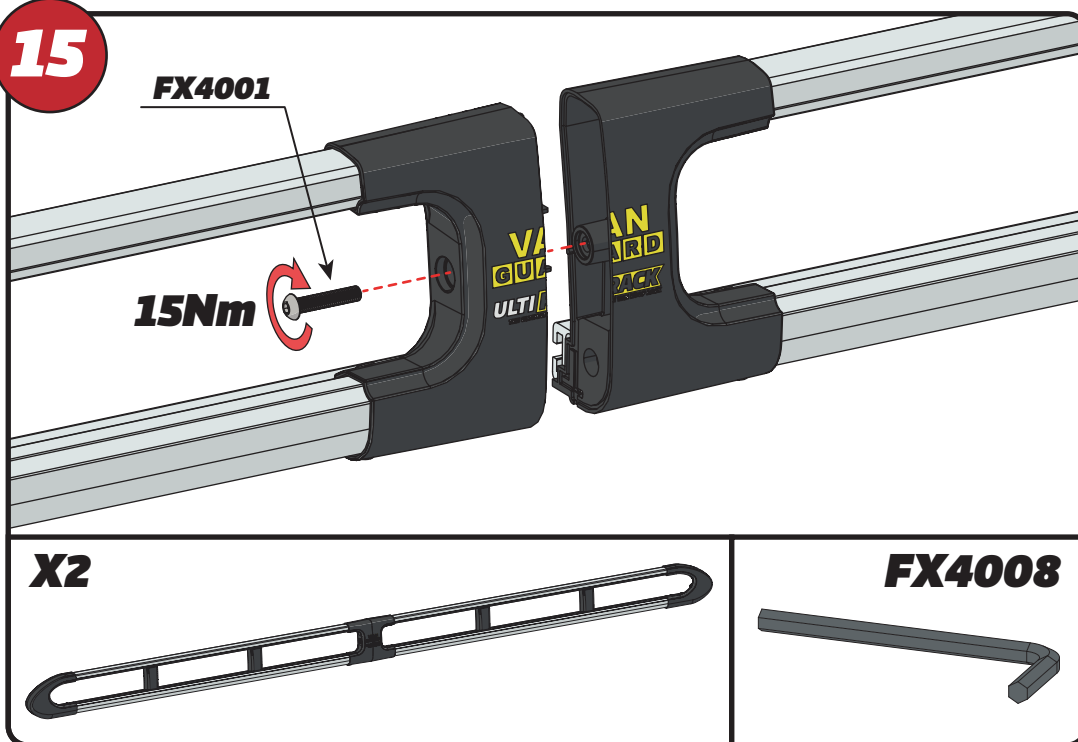
13



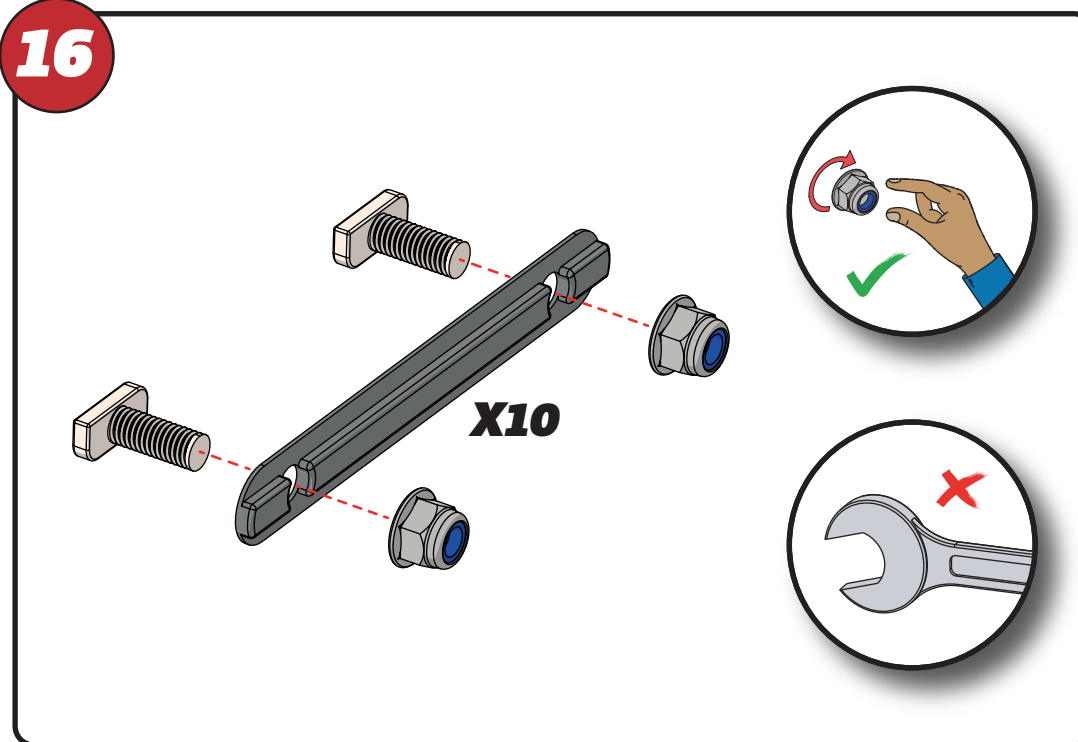
14



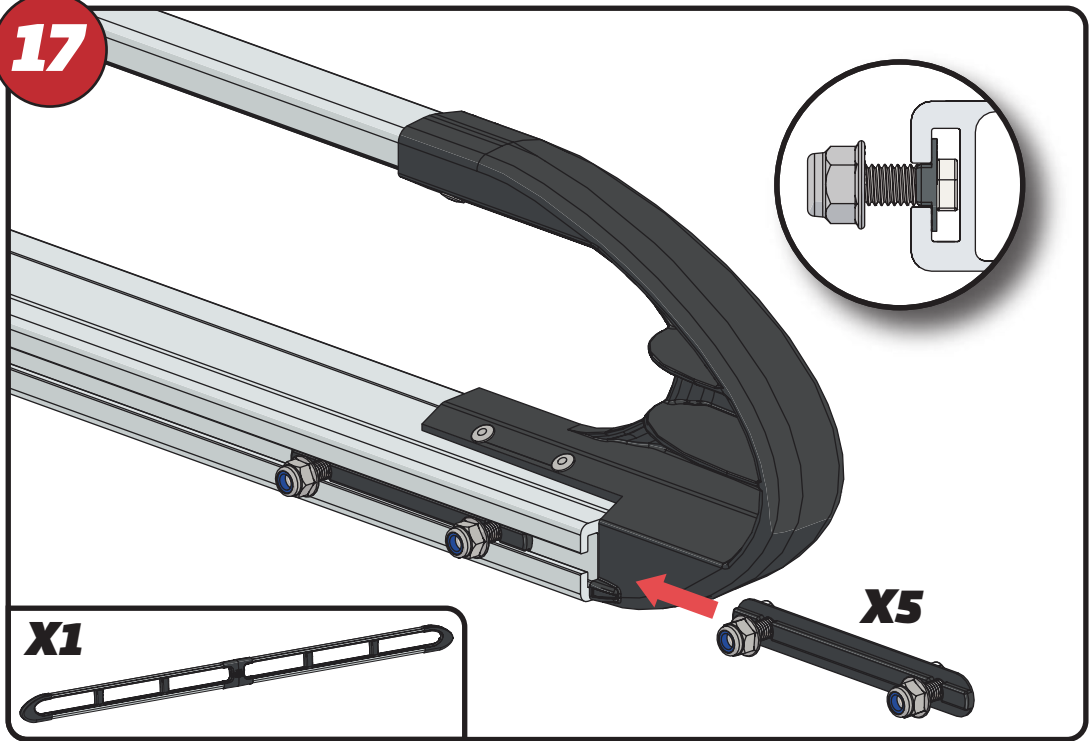
15



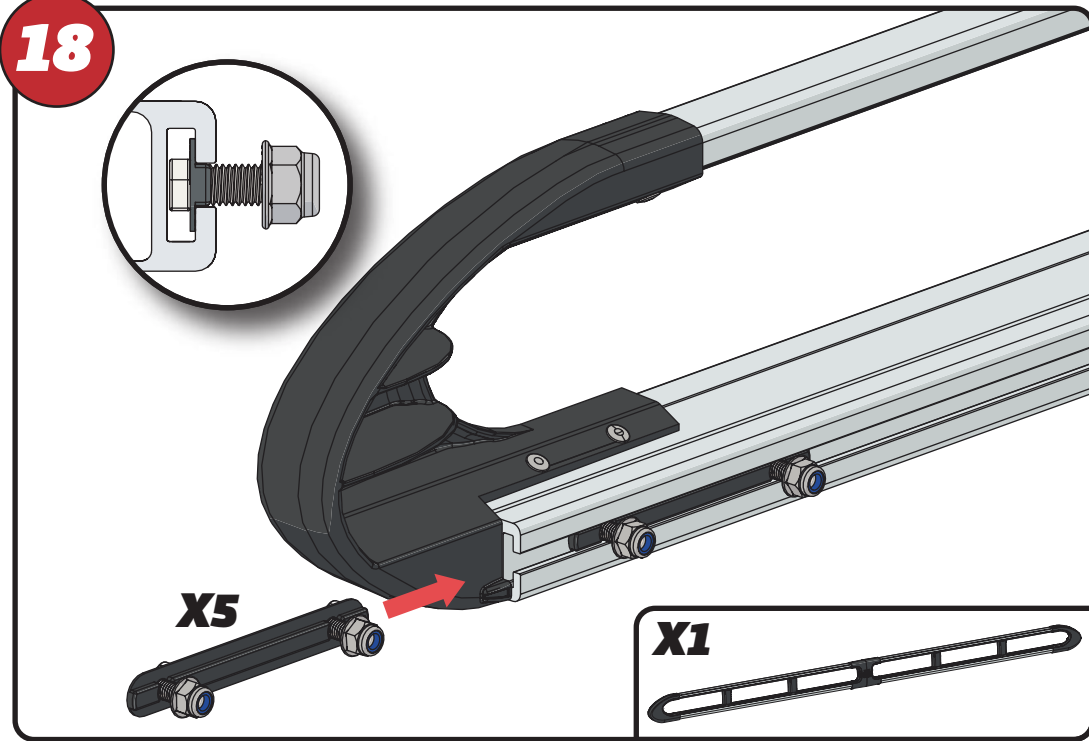
16



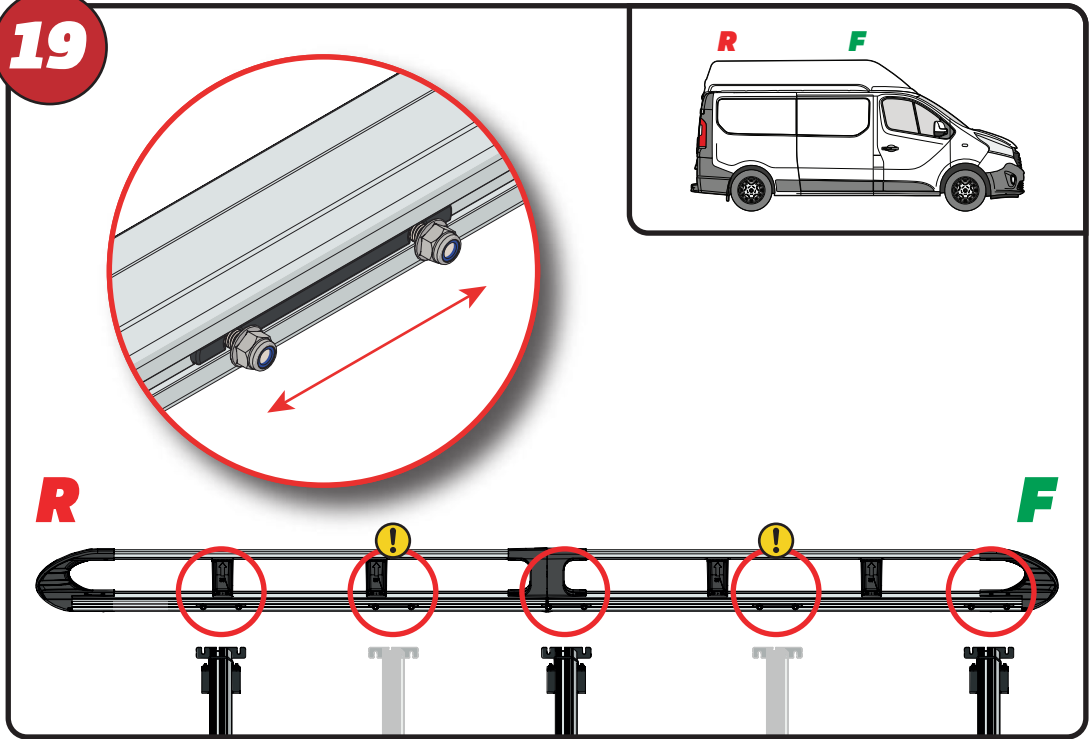
17



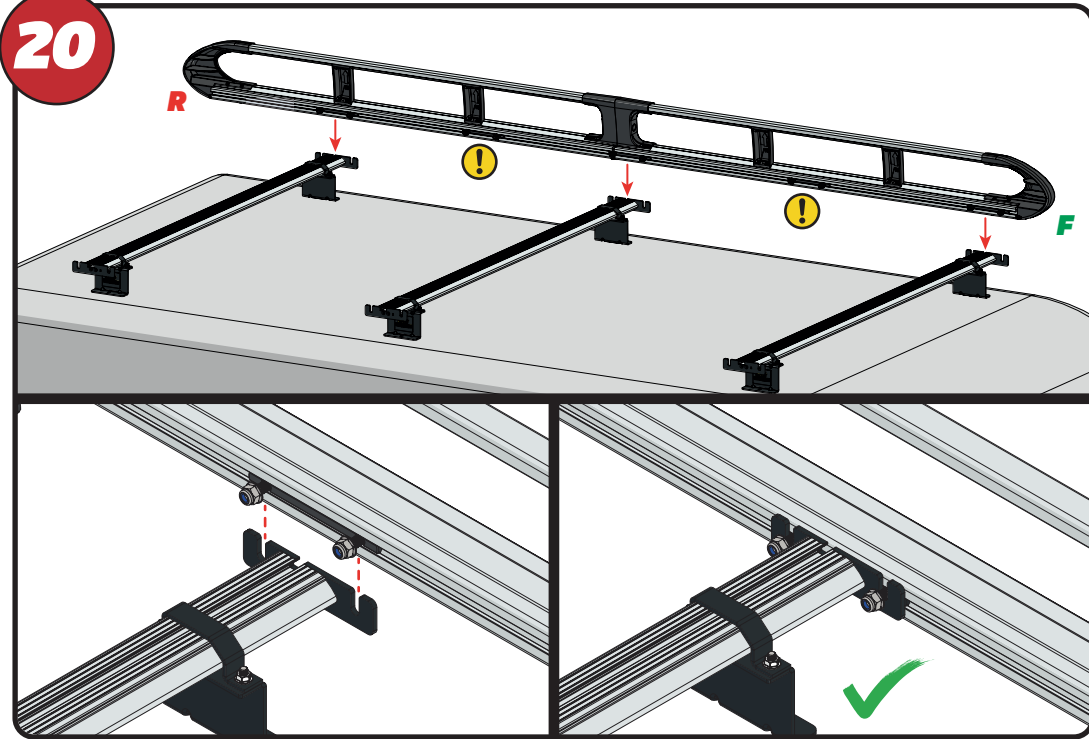
18



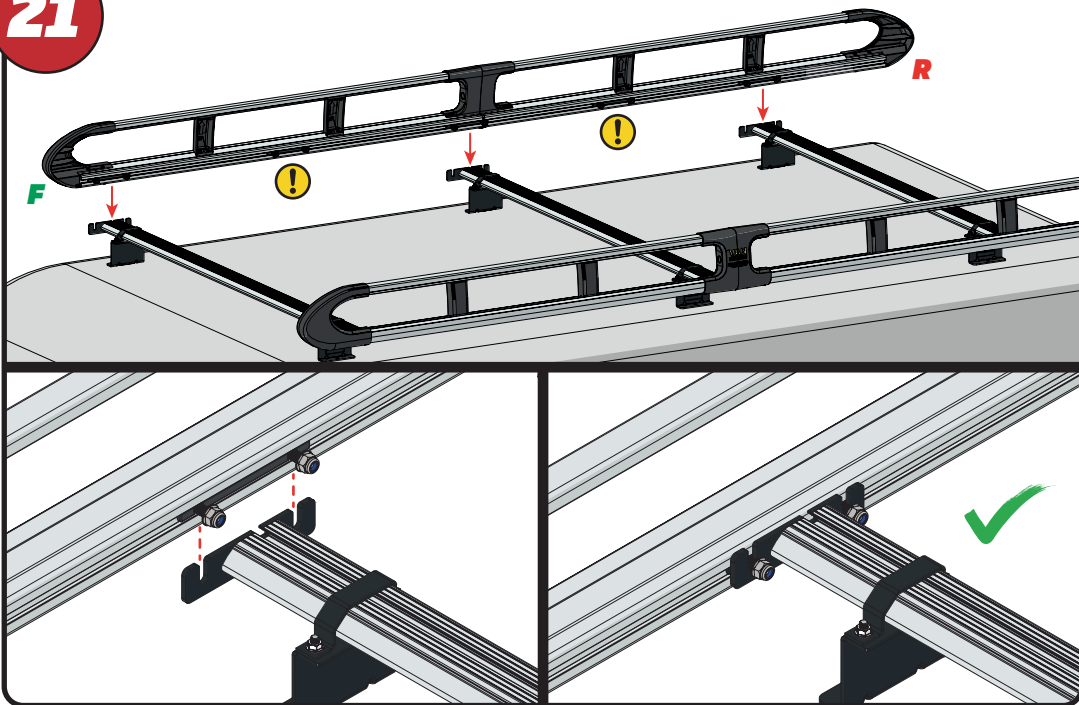
19



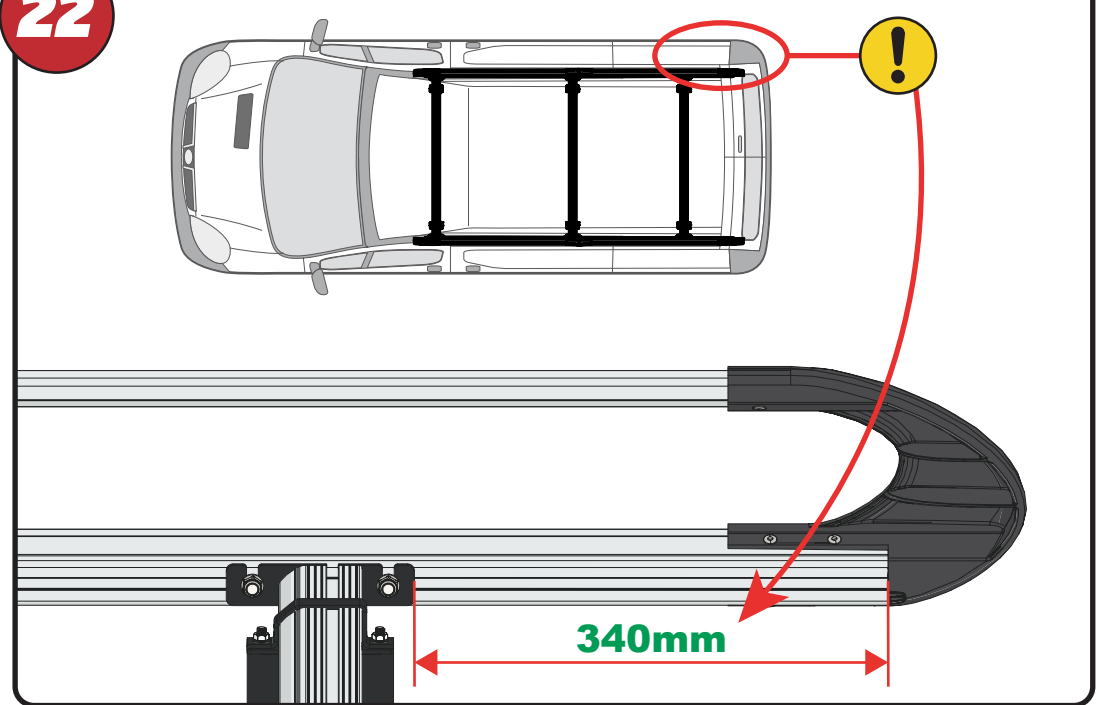
20



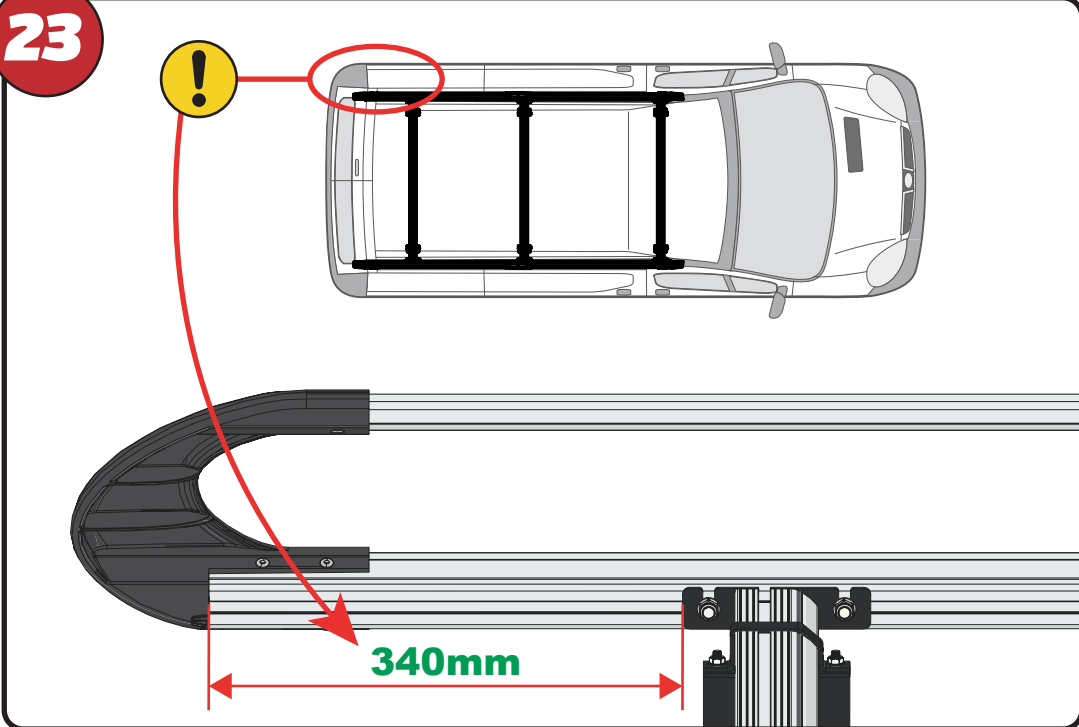
21



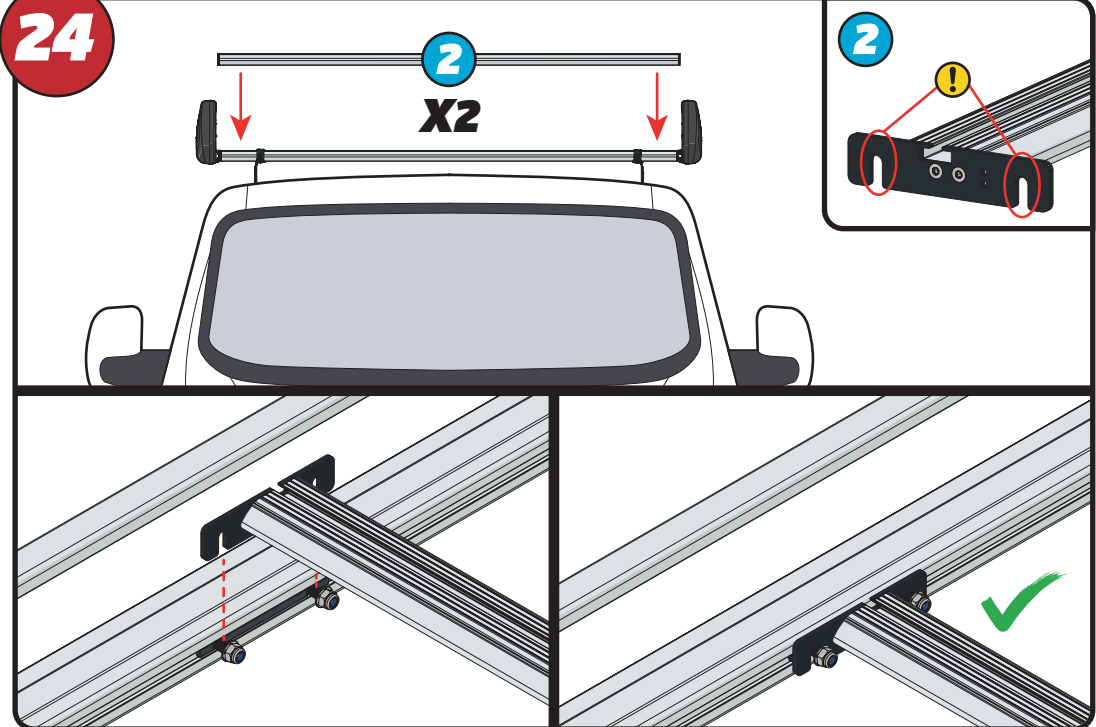
22



23

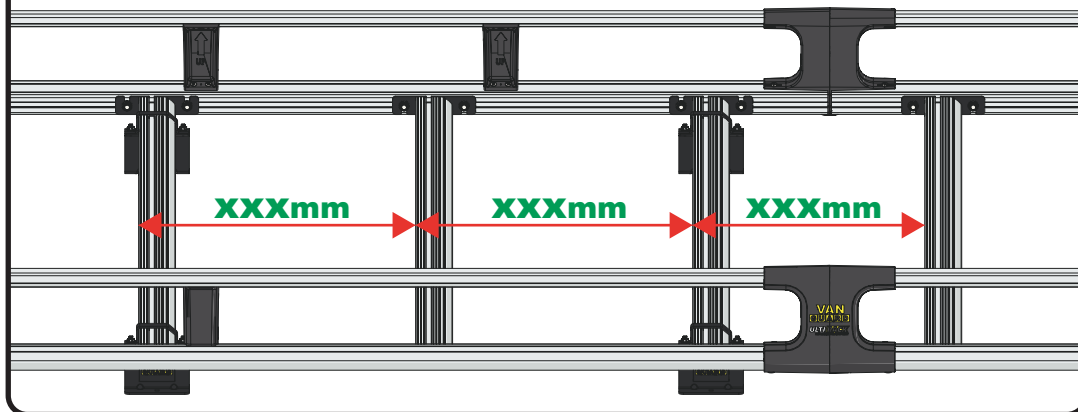
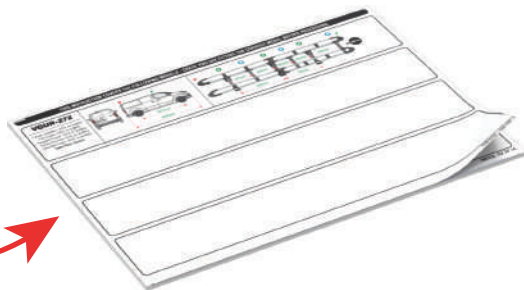
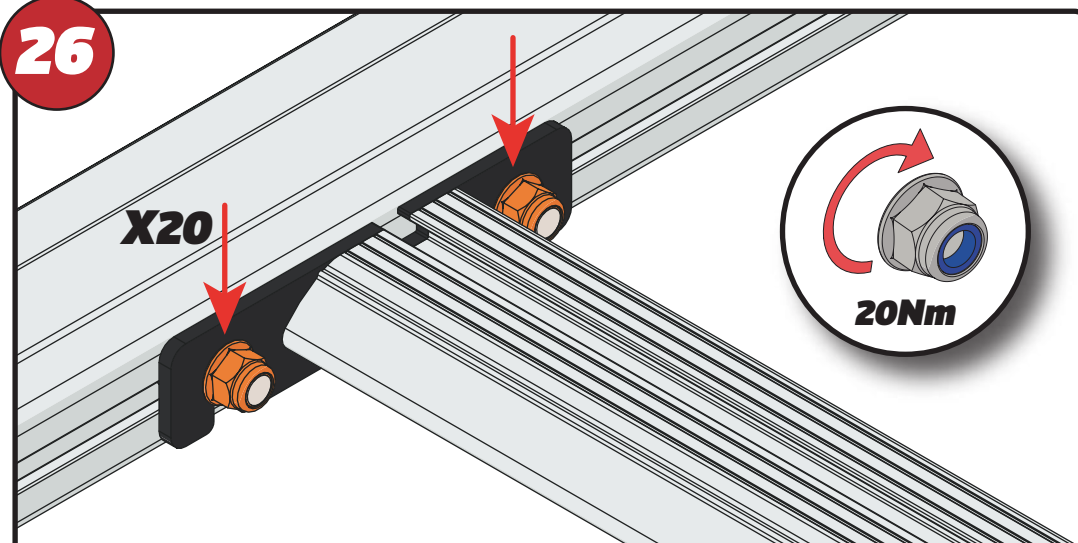


24



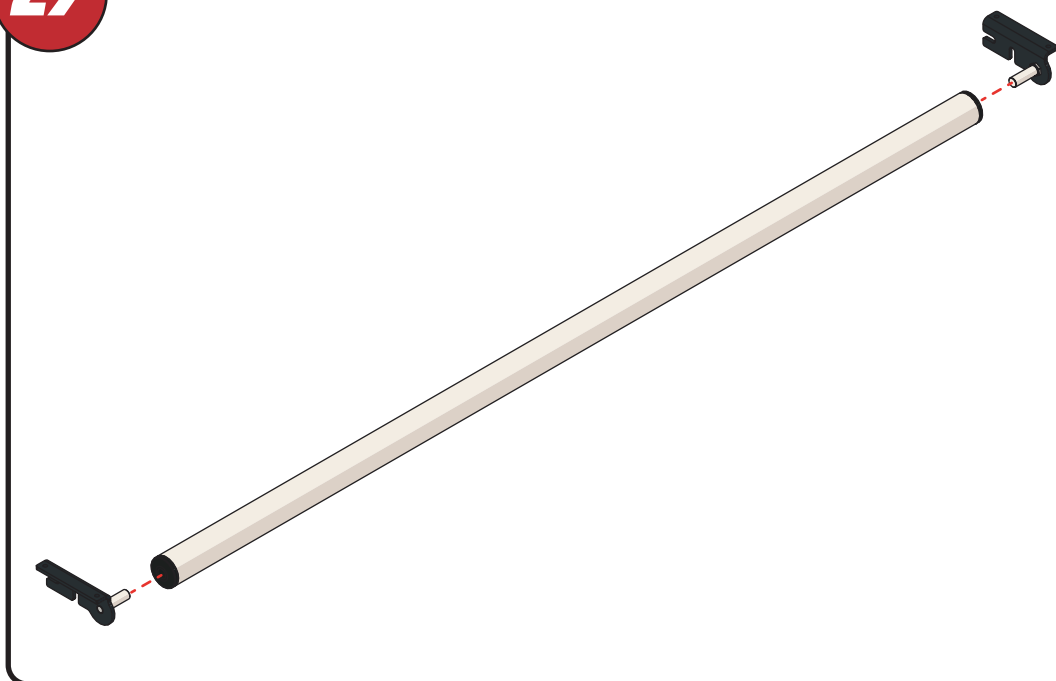
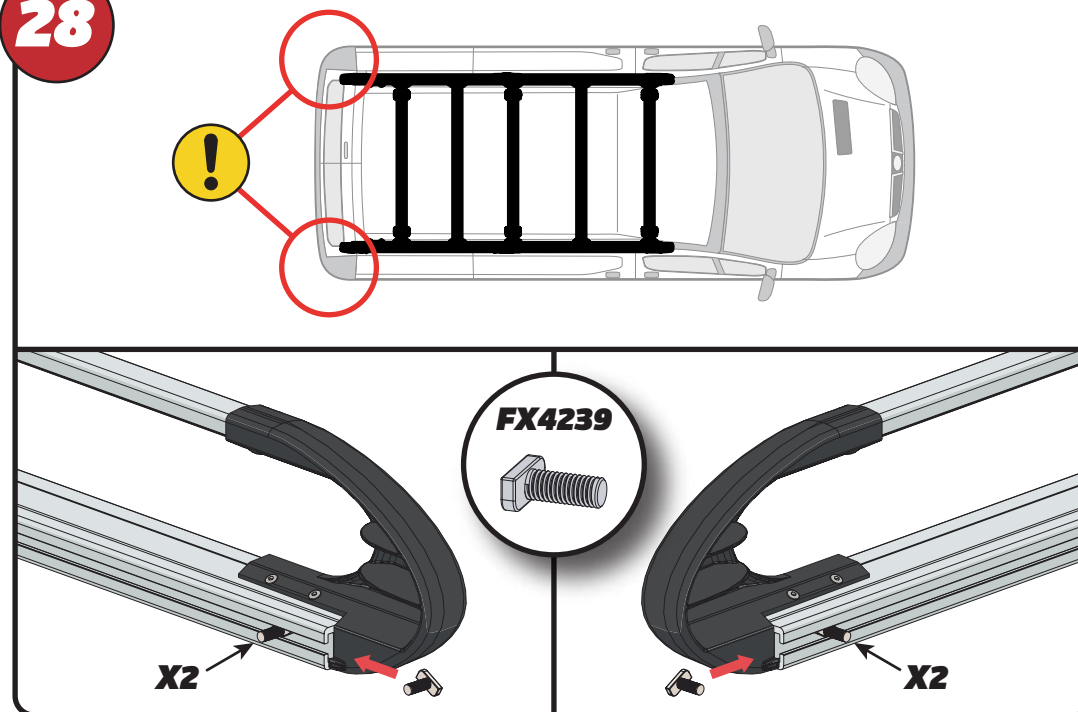
25

XXX =
PAGE 2 OF 14

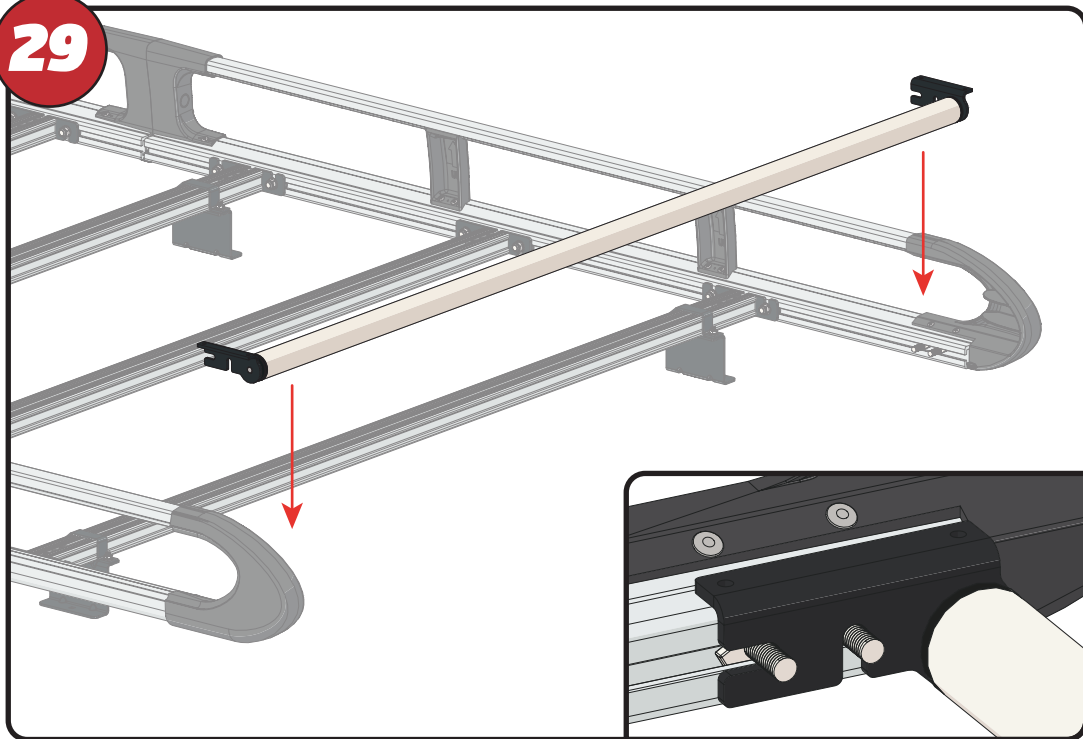
**26**

EN - TIGHTEN ALL OF THE CROSS BARS
DE - ALLE QUERSTANGEN FESTZIEHEN
FR - SERREZ TOUTES LES BARRES TRANSVERSALES
NL - DRAAI ALLE DWARSBALK VAN HET DAK AAN
ES - APRIETE TODAS LAS BARRAS TRANSVERSALES
IT - STRINGERE TUTTE LE BARRE TRASVERSALI

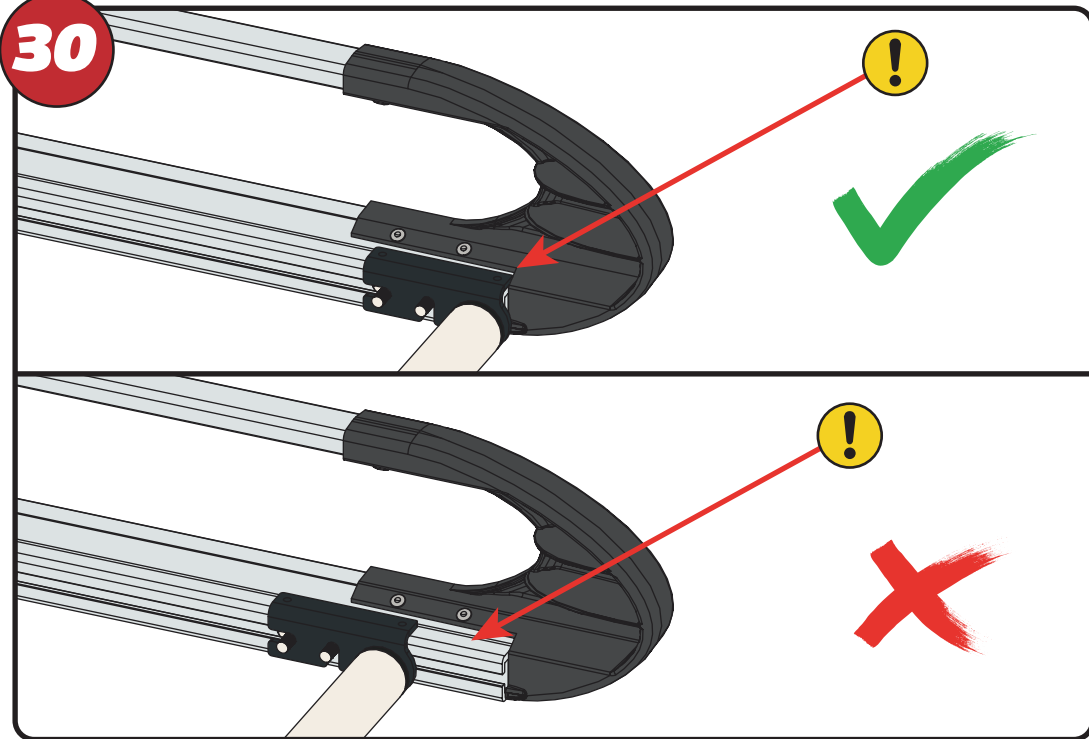
SV - SKRU UPP ALLA KORSSTANGAR
DA - SKRU ALLE TAGBØJLER OP
NO - SKRU OPP ALLE TVERRSTENGER
PL - DOKRĘCIĆ WSZYSTKIE POPRZECZKI
CS - VŠECHNY PŘÍČNÉ TYČE SEŠROUJTE

27**28**

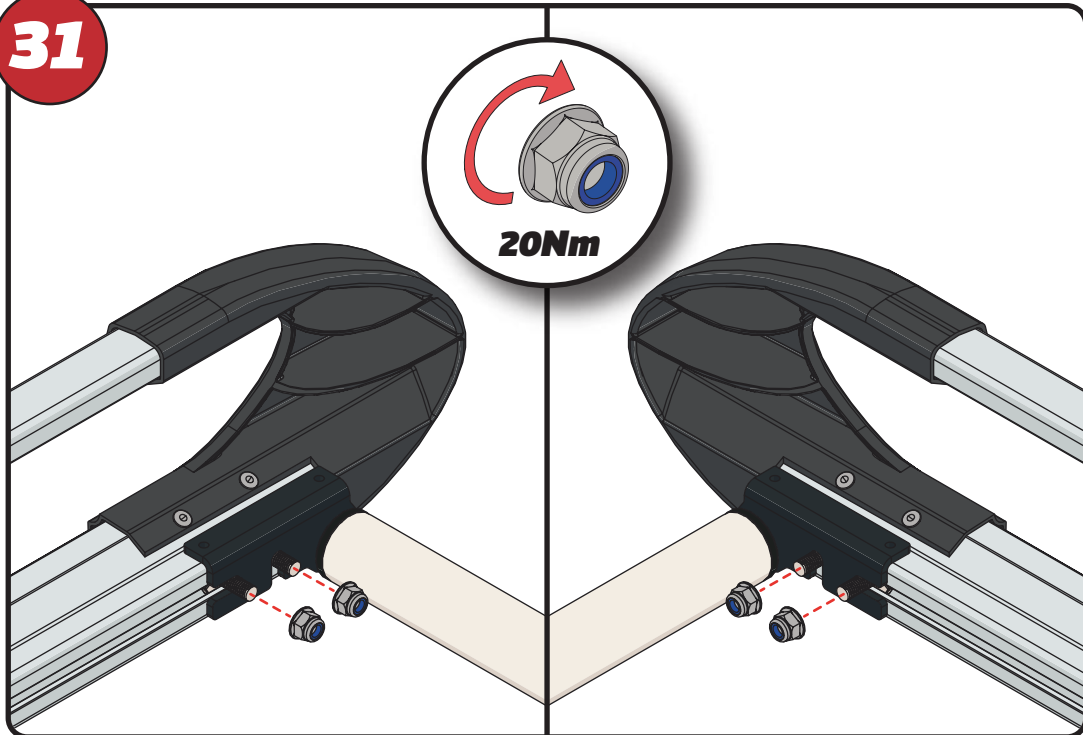
29



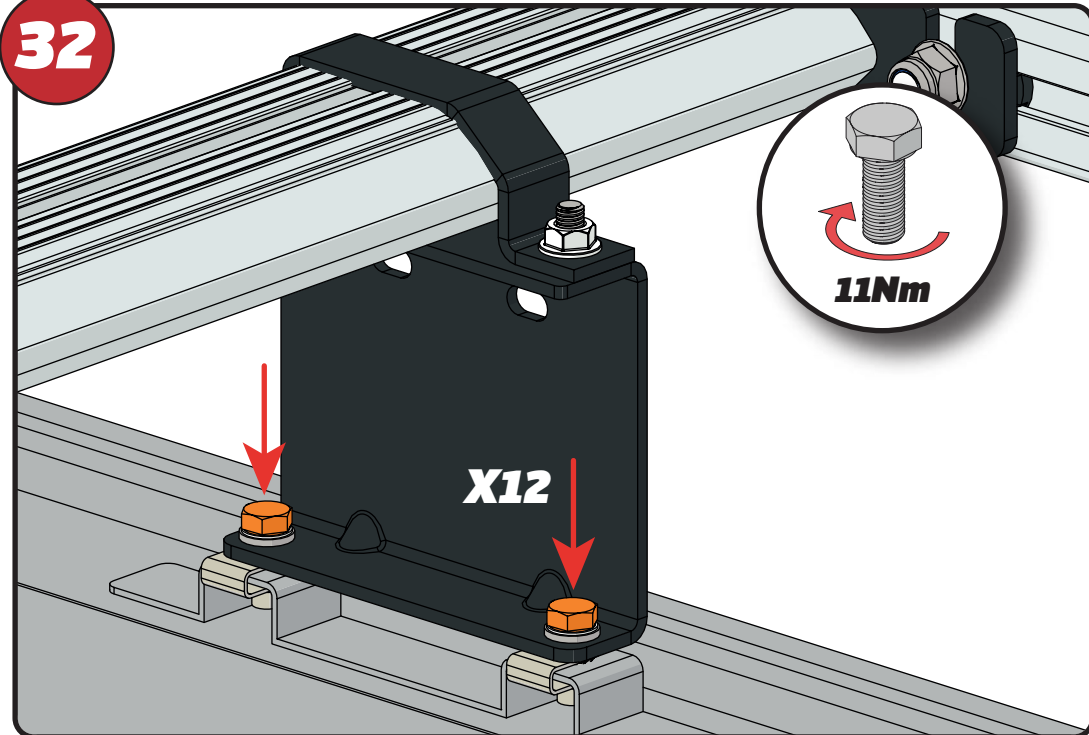
30



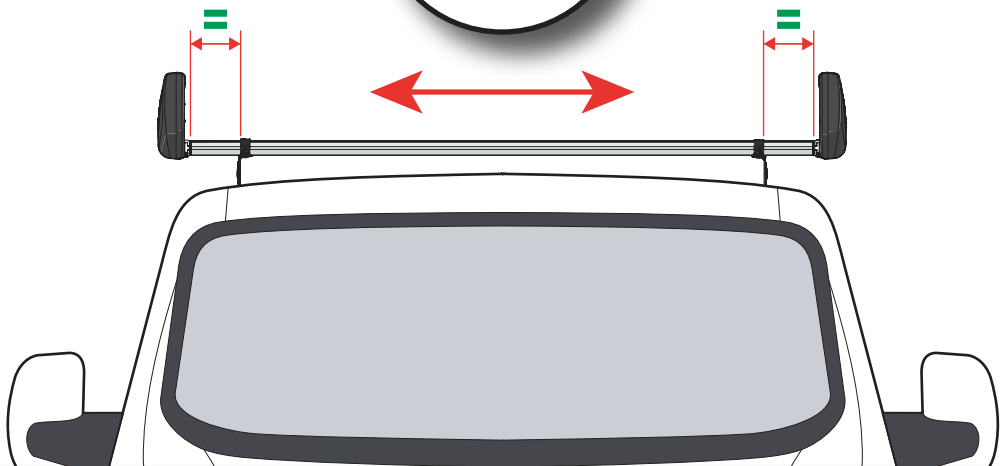
31



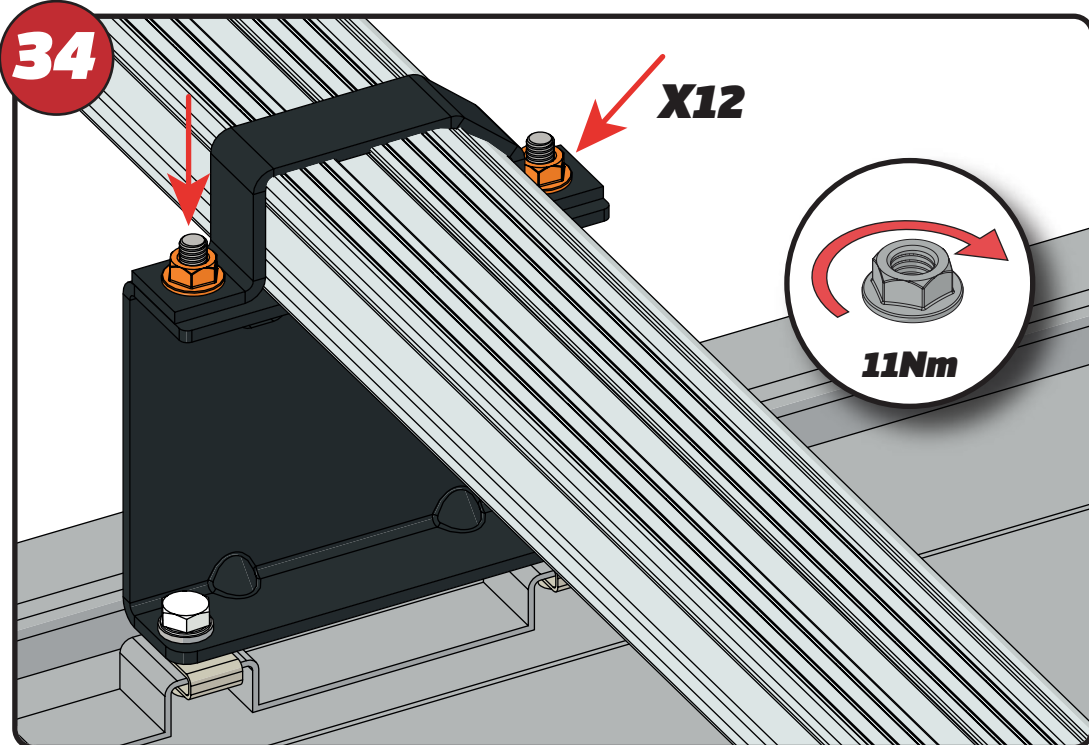
32



33



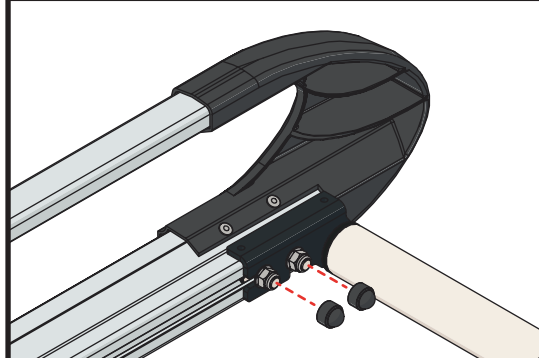
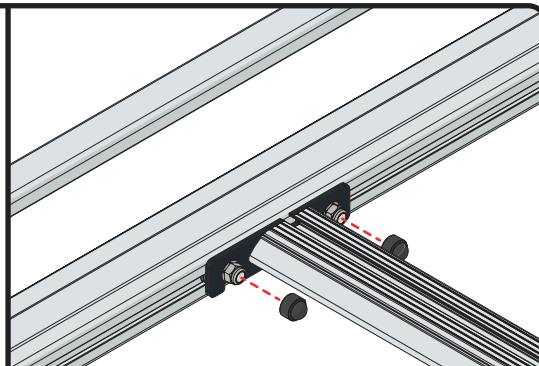
34



35



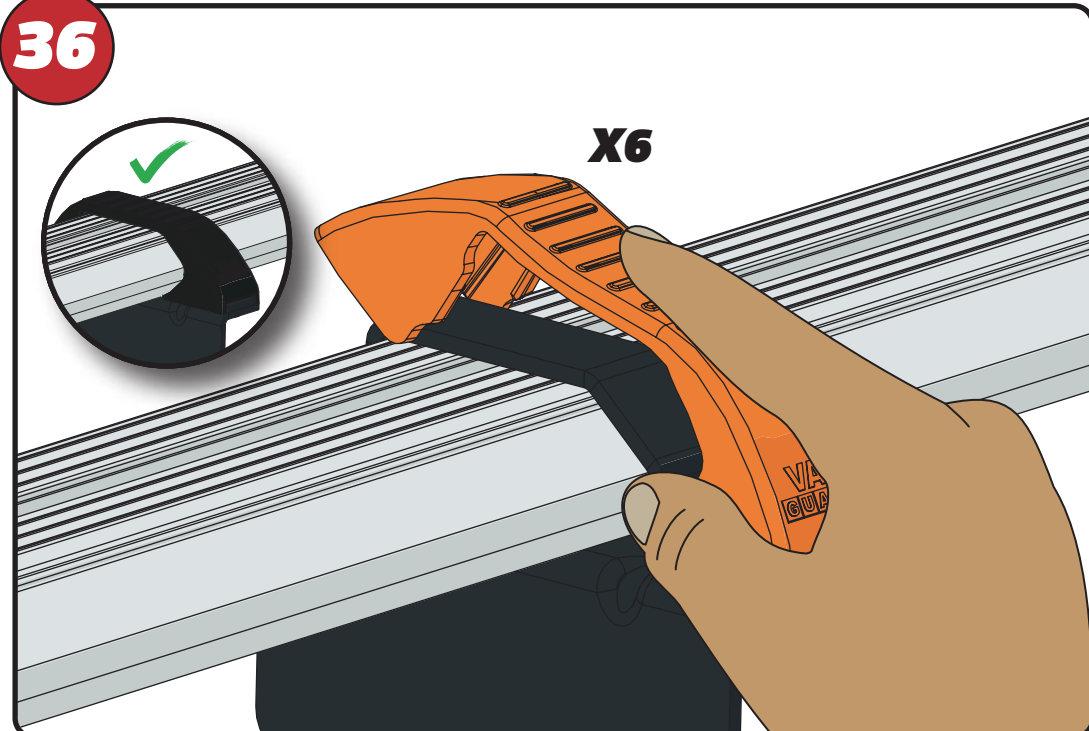
X24



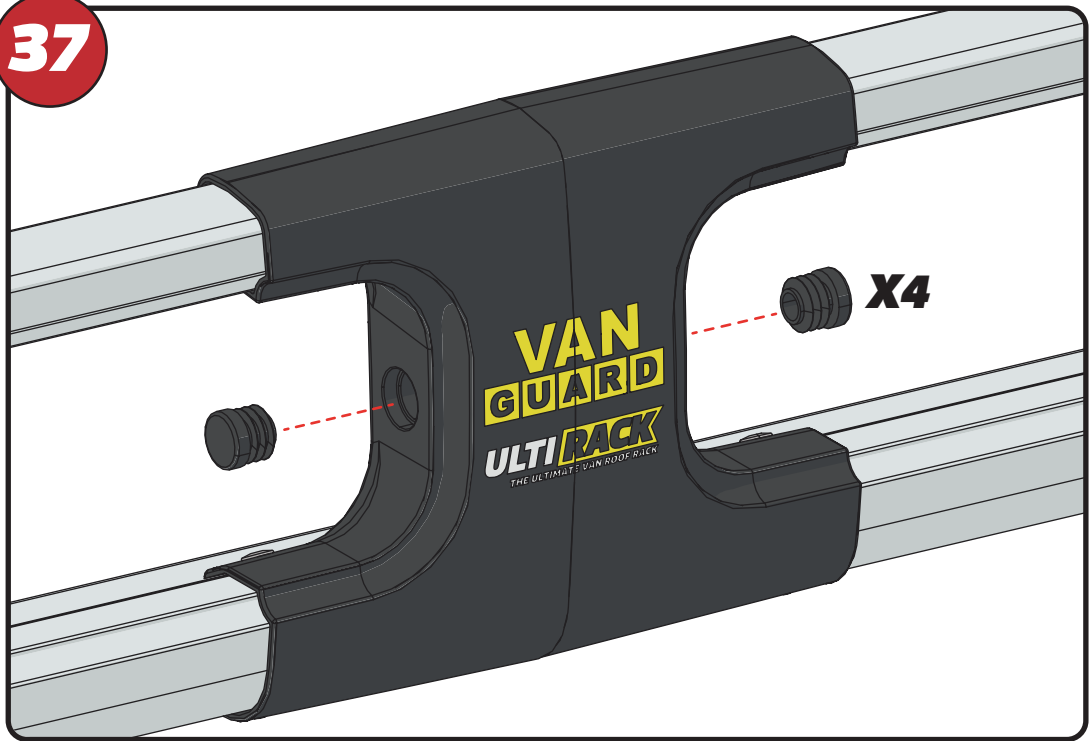
36



X6



37



38

